



US00D958163S

(12) **United States Design Patent** (10) **Patent No.:** **US D958,163 S**  
**Jansen et al.** (45) **Date of Patent:** **\*\* Jul. 19, 2022**

(54) **DISPLAY SCREEN OR PORTION THEREOF WITH ANIMATED GRAPHICAL USER INTERFACE**

FOREIGN PATENT DOCUMENTS

WO D207363-008 \* 8/2020

(71) Applicant: **KONINKLIJKE PHILIPS N.V.**,  
Eindhoven (NL)

OTHER PUBLICATIONS

(72) Inventors: **Johannes Antonius Jansen**, Utrecht (NL); **Riccardo Vescovo**, Amsterdam (NL)

“New firmware update for the Mi Band 3 allow to start an exercise session from the band itself instead of starting it from the app” Sep. 11, 2018, Reddit, site visited May 22, 2021: [https://www.reddit.com/r/miband/comments/9ex1u1/new\\_firmware\\_update\\_for\\_the\\_mi\\_band\\_3\\_allow\\_to/](https://www.reddit.com/r/miband/comments/9ex1u1/new_firmware_update_for_the_mi_band_3_allow_to/) (Year: 2018).\*

(73) Assignee: **KONINKLIJKE PHILIPS N.V.**,  
Eindhoven (NL)

(Continued)

(\*\*) Term: **15 Years**

*Primary Examiner* — Jack Reickel  
*Assistant Examiner* — Christopher M Spivey

(21) Appl. No.: **29/826,924**

(22) Filed: **Feb. 16, 2022**

(57) **CLAIM**

**Related U.S. Application Data**

The ornamental design for a display screen or portion thereof with animated graphical user interface, as shown and described.

(62) Division of application No. 29/726,210, filed on Mar. 2, 2020.

(51) **LOC (13) Cl.** ..... **14-04**

**DESCRIPTION**

(52) **U.S. Cl.**  
USPC ..... **D14/485**; D14/492

(58) **Field of Classification Search**  
USPC ..... D14/485–495  
CPC . A46B 15/001; B26B 19/3873; B26B 19/388;  
G06F 1/163; G06F 1/3265; G06F 3/0484;  
G06F 3/0488; G06F 3/048; G06F 3/0481;  
G06F 3/04817; G06F 3/0482; G06F  
3/04842; G06F 3/0485; G06F 3/04855;  
H04M 1/0268; H04M 1/72427; H04N  
21/4312; H04N 21/478; A63B 24/00  
See application file for complete search history.

FIG. 1 is a front view of a first image in a sequence of a display screen or portion thereof with animated graphical user interface, showing our new design;  
FIG. 2 is a front view of a second image thereof;  
FIG. 3 is a front view of a third image thereof;  
FIG. 4 is a front view of a fourth image thereof;  
FIG. 5 is a front view of a fifth image thereof;  
FIG. 6 is a front view of a sixth image thereof; and,  
FIG. 7 is a front view of a seventh image thereof.  
The appearance of the animated graphical user interface sequentially transitions between the images shown in FIGS. 1-7. The process or period in which an image transitions to another image forms no part of the claimed design.  
The broken lines show an exemplary article onto which the display screen is positioned, and form no part of the claimed design.

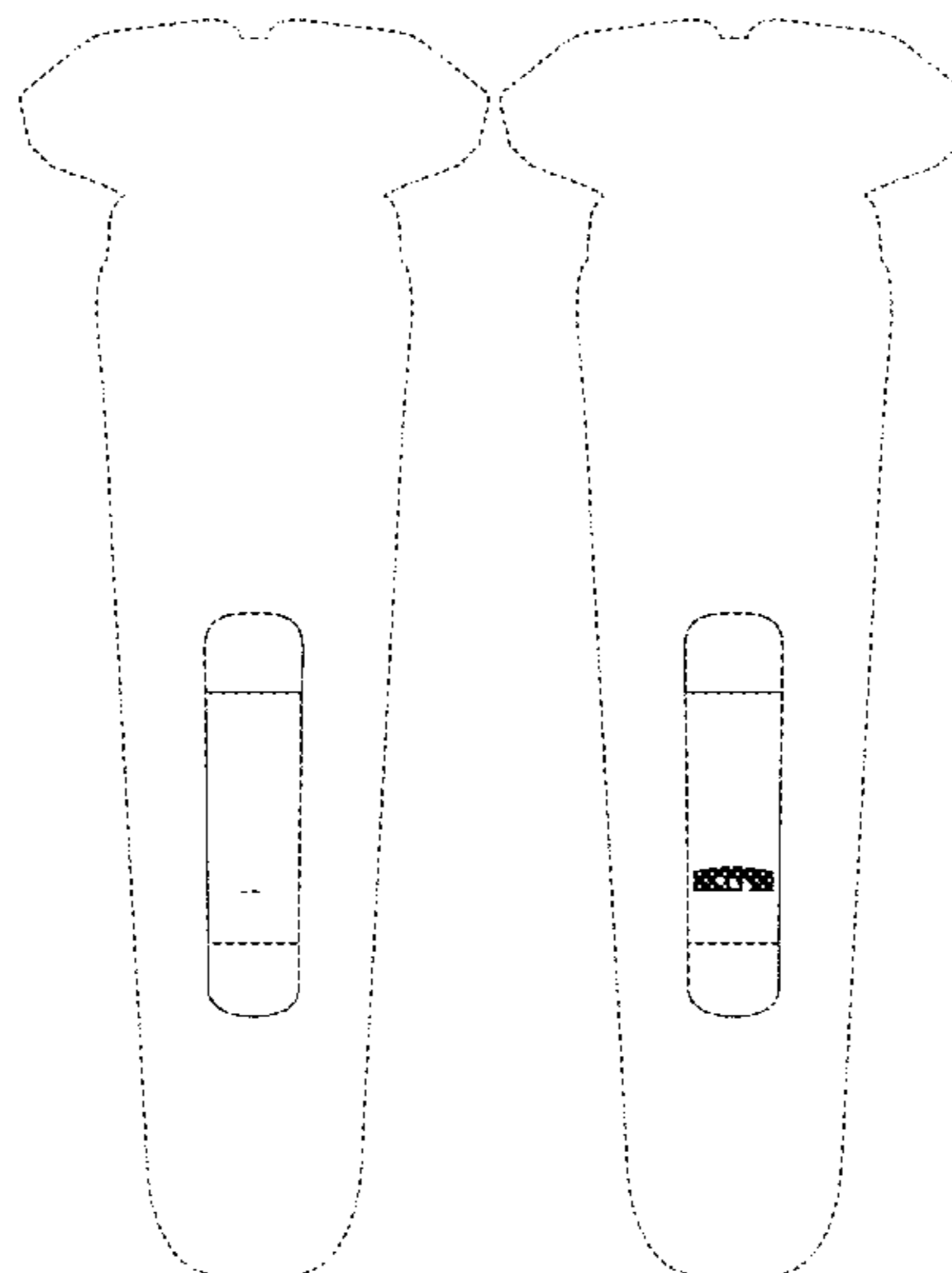
(56) **References Cited**

U.S. PATENT DOCUMENTS

D397,687 S \* 9/1998 Arora ..... D14/489  
D436,598 S \* 1/2001 King ..... D14/489

(Continued)

**1 Claim, 7 Drawing Sheets**



(56)

References Cited

U.S. PATENT DOCUMENTS

6,678,891 B1 \* 1/2004 Wilcox ..... H04N 21/812  
 715/721  
 D509,510 S \* 9/2005 Hernandez ..... D14/489  
 D739,417 S \* 9/2015 Laverack ..... D14/485  
 D741,877 S \* 10/2015 Torres ..... D14/485  
 D747,349 S \* 1/2016 Park ..... D14/492  
 D751,598 S \* 3/2016 Xu ..... D14/488  
 D754,195 S \* 4/2016 Wire ..... D14/489  
 D781,874 S \* 3/2017 Dunn ..... D14/485  
 D801,373 S \* 10/2017 Vaglio ..... G06F 3/04842  
 D14/486  
 D802,010 S \* 11/2017 Blyde ..... D14/488  
 D868,086 S \* 11/2019 Broughton ..... G04G 11/00  
 D14/486  
 D888,755 S \* 6/2020 Gaiser ..... D14/487  
 D912,700 S \* 3/2021 Paul ..... D14/491  
 2010/0186234 A1 \* 7/2010 Binder ..... B26B 19/3806  
 348/E5.022  
 2011/0175748 A1 \* 7/2011 Small ..... G02B 6/0005  
 345/1.3

2014/0266731 A1 \* 9/2014 Malhotra ..... G06F 1/163  
 340/573.1  
 2017/0056146 A1 \* 3/2017 Boughorbel ..... A61C 1/0015  
 2017/0199658 A1 \* 7/2017 Stouter ..... G06F 3/04883  
 2017/0360538 A1 \* 12/2017 Luo ..... A61C 17/3409  
 2017/0367543 A1 \* 12/2017 Straka ..... A61H 7/005  
 2018/0059810 A1 \* 3/2018 Riley ..... G06F 3/04883  
 2018/0085763 A1 \* 3/2018 Leckner ..... B05B 1/16  
 2019/0358835 A1 \* 11/2019 Rao Ganesh ..... B26B 19/46

OTHER PUBLICATIONS

“Garmin Vivosmart4: The First Few Days Hands-on (with SpO2 & Body Battery)” Aug. 30, 2018, YouTube, site visited May 22, 2021: <https://www.youtube.com/watch?v=SNBJXjtpBo&t=342s> (Year: 2018).\*

“Oclean X Review: Color Touch Screen is a Big Deal!” Aug. 11, 2019, YouTube, site visited Mar. 5, 2022: <https://www.youtube.com/watch?v=B-2ElxBwukw> (Year: 2019).\*

\* cited by examiner

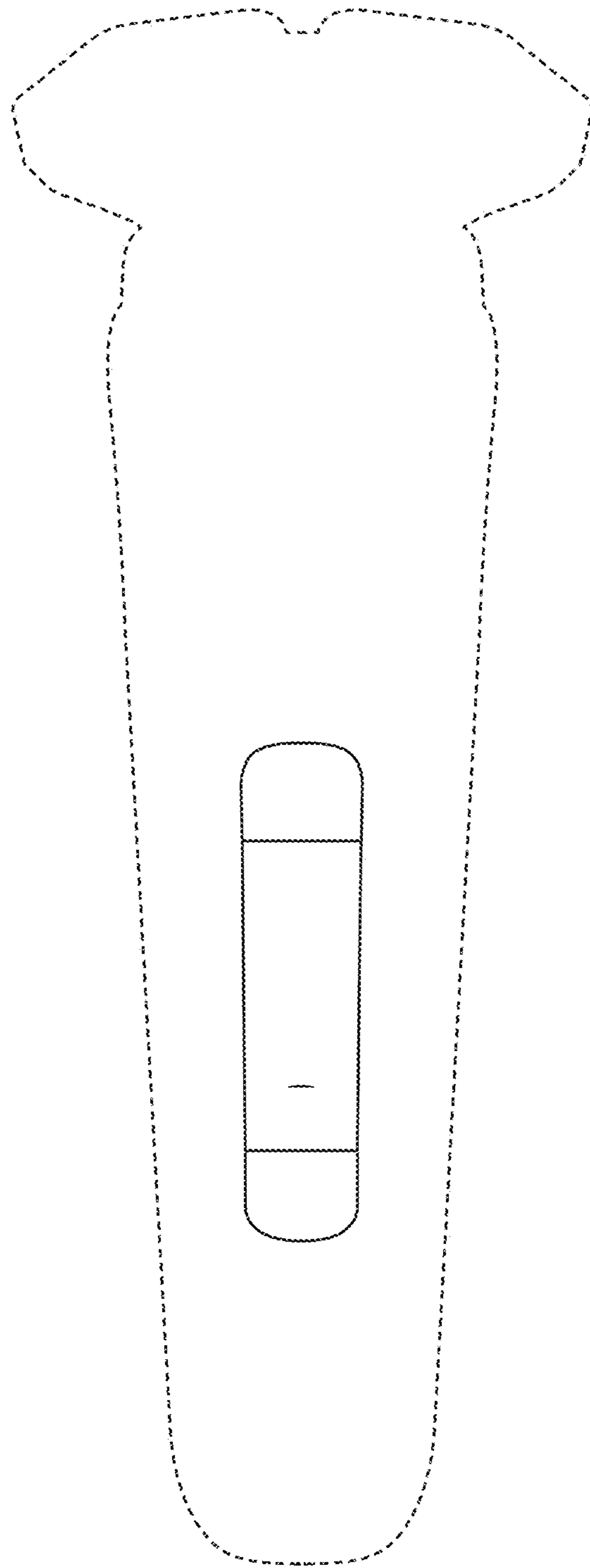


FIG. 1

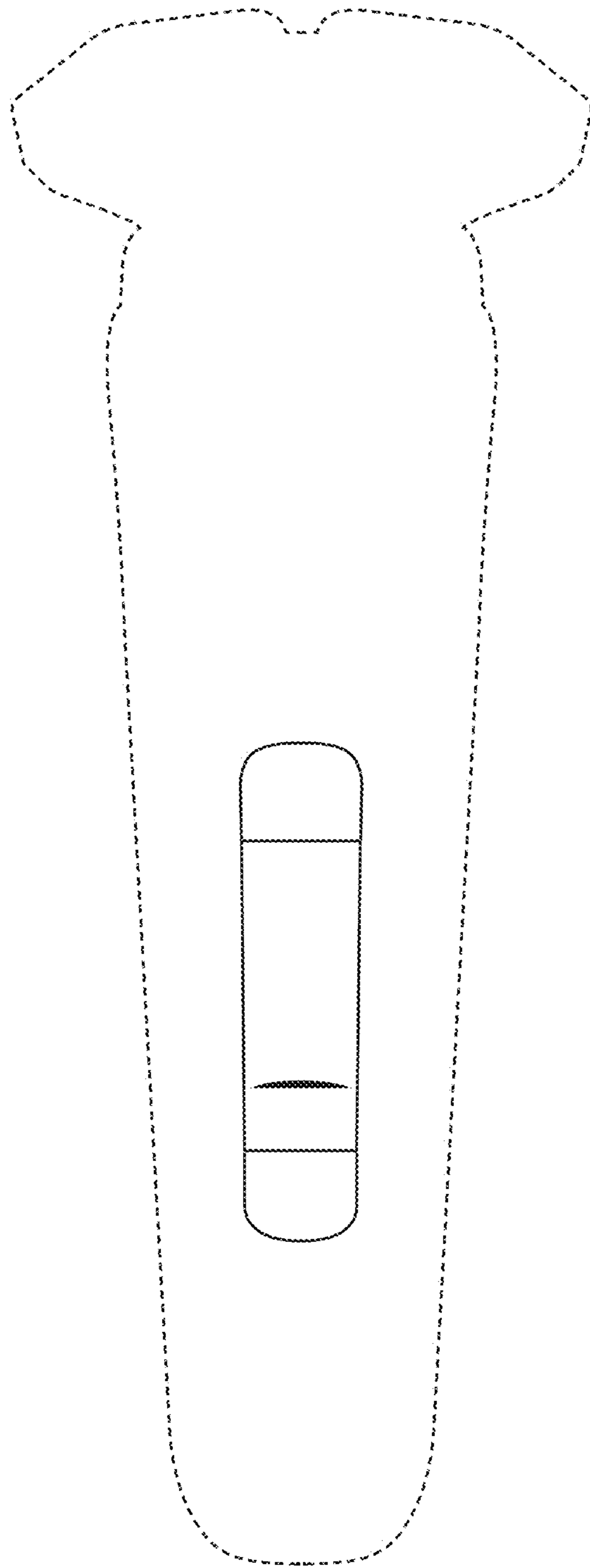


FIG. 2

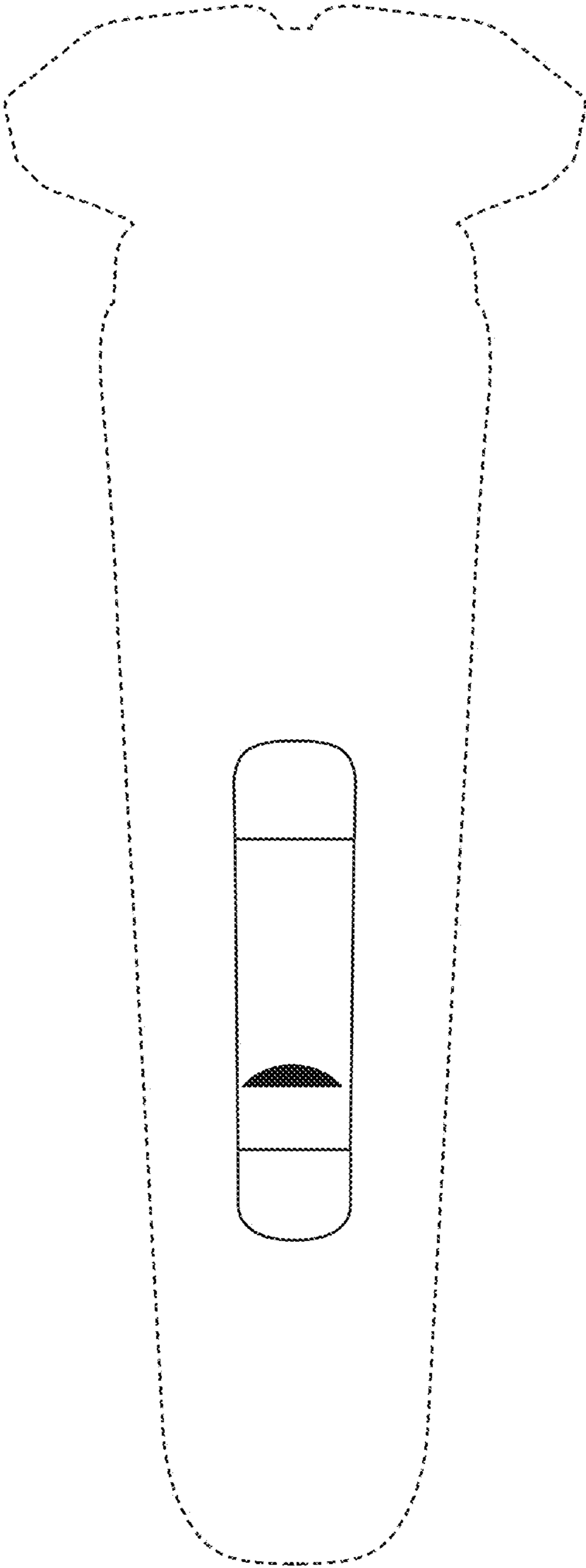


FIG. 3

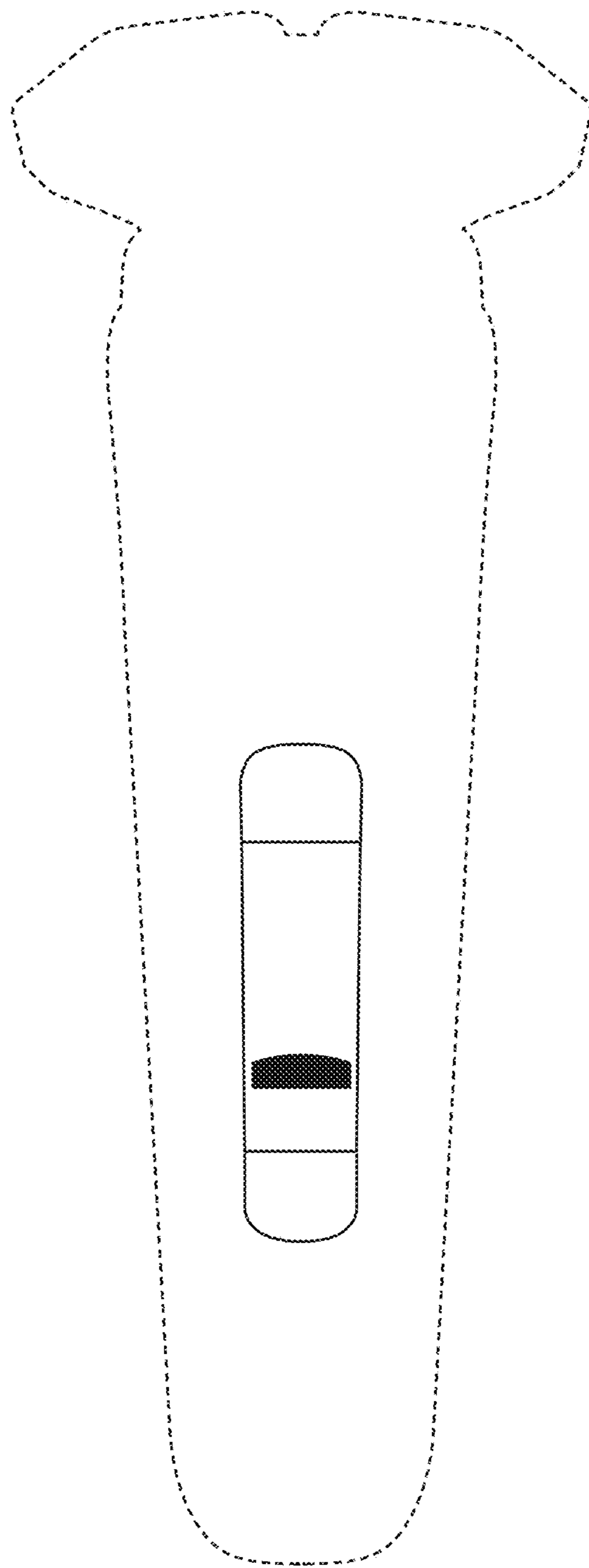


FIG. 4

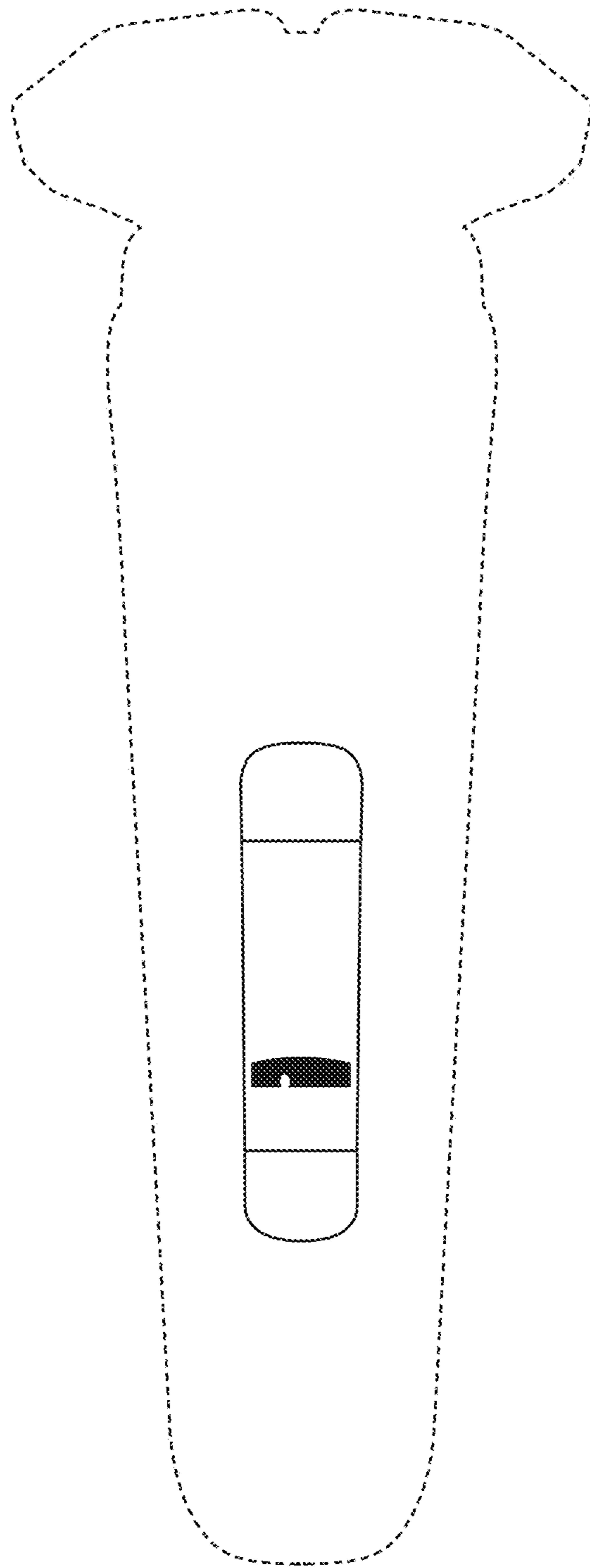


FIG. 5

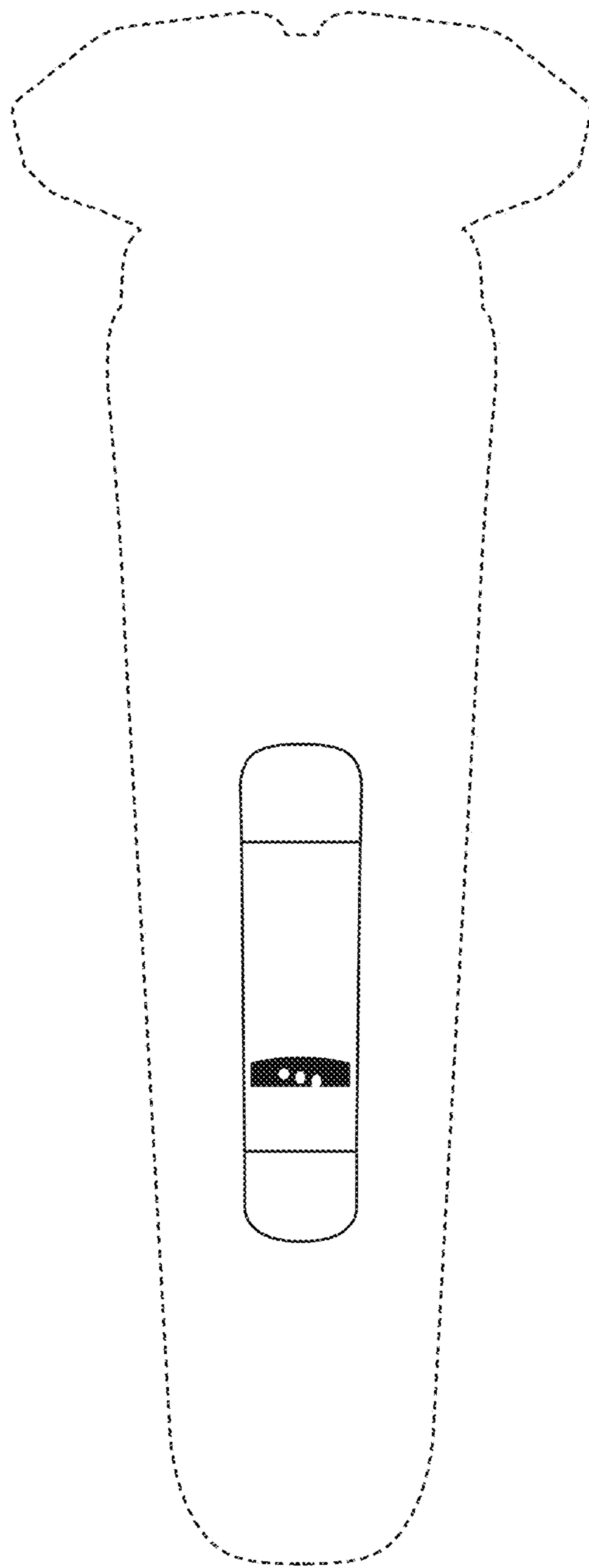


FIG. 6



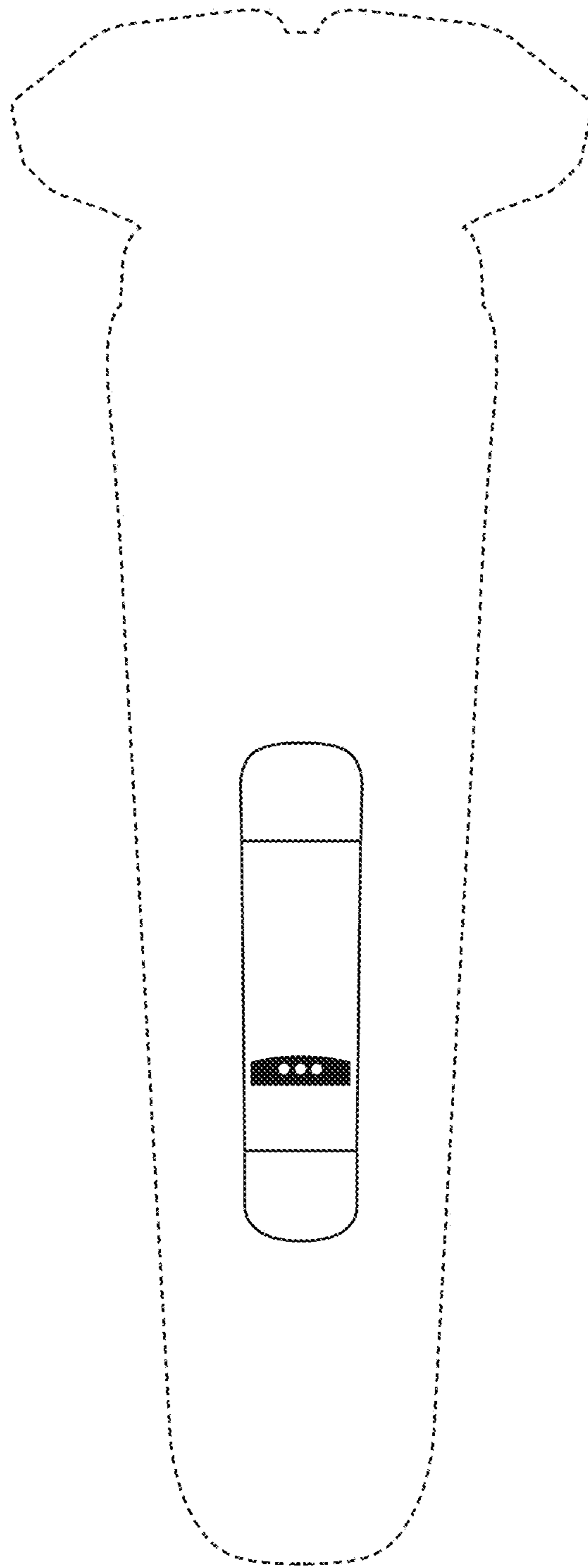


FIG. 7