



US00D958154S

(12) **United States Design Patent** (10) **Patent No.:** **US D958,154 S**  
**Choi** (45) **Date of Patent:** **\*\* Jul. 19, 2022**

(54) **HEADS-UP DISPLAY SCREEN FOR  
AUTOMOBILE GLASS WITH IMAGE**

(71) Applicant: **NAVER LABS CORPORATION,**  
Seongnam-si (KR)

(72) Inventor: **Hakseung Choi,** Seongnam-si (KR)

(73) Assignee: **Naver Labs Corporation,** Gyeonggi-do  
(KR)

(\*\*) Term: **15 Years**

(21) Appl. No.: **29/732,308**

(22) Filed: **Apr. 23, 2020**

(30) **Foreign Application Priority Data**

Oct. 25, 2019 (KR) ..... 30-2019-0050730

(51) **LOC (13) Cl.** ..... **14-04**

(52) **U.S. Cl.**  
USPC ..... **D14/485**

(58) **Field of Classification Search**  
USPC ..... D14/485-495  
CPC ..... G06F 3/048; G06F 3/0481; G01C 21/36;  
B60K 37/00  
See application file for complete search history.

(56) **References Cited**

**U.S. PATENT DOCUMENTS**

- 7,941,269 B2 \* 5/2011 Laumeyer ..... G06Q 10/047  
701/523
- 7,963,656 B2 \* 6/2011 Kano ..... B60R 1/00  
353/14
- D753,719 S \* 4/2016 Mariet ..... D14/492
- D753,720 S \* 4/2016 Mariet ..... D14/492
- D753,721 S \* 4/2016 Mariet ..... D14/492
- D754,204 S \* 4/2016 Mariet ..... D14/492
- D765,713 S \* 9/2016 Mariet ..... D14/486
- D766,304 S \* 9/2016 Mariet ..... D14/486

- D771,681 S \* 11/2016 Mariet ..... D14/486
- D773,517 S \* 12/2016 Mariet ..... D14/486
- D791,157 S \* 7/2017 Shiino ..... D14/486
- D791,158 S \* 7/2017 Shiino ..... D14/486
- D800,143 S \* 10/2017 Inose ..... D14/485
- D803,249 S \* 11/2017 Masuda ..... D14/486
- D809,532 S \* 2/2018 Kato ..... D14/485
- D809,533 S \* 2/2018 Kato ..... D14/485
- D809,534 S \* 2/2018 Kato ..... D14/485
- D810,103 S \* 2/2018 Kato ..... D14/485
- D812,070 S \* 3/2018 Mariet ..... D14/485

(Continued)

*Primary Examiner* — Daniel J Domino

(74) *Attorney, Agent, or Firm* — Harness, Dickey &  
Pierce, P.L.C.

(57) **CLAIM**

The ornamental design for a heads-up display screen for automobile glass with image, as shown and described.

**DESCRIPTION**

FIG. 1 is a first image in a sequence of a heads-up display screen for automobile glass with image, showing the new design;

FIG. 2 is a second image thereof;

FIG. 3 is a third image thereof; and,

FIG. 4 is a fourth image thereof.

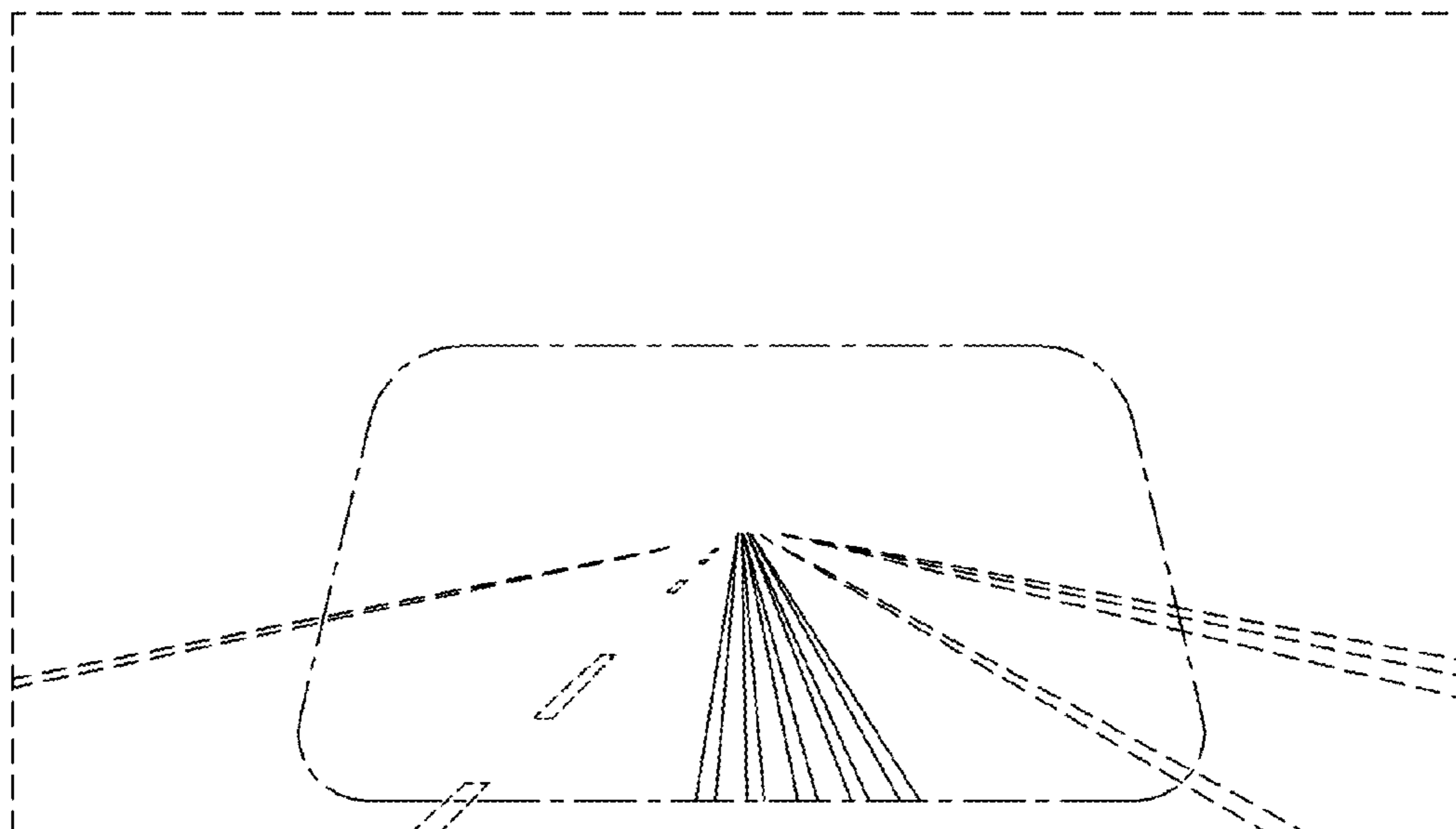
The appearance of the transitional image sequentially transitions between the images shown in FIGS. 1-4.

The process or period in which one image transitions to another image forms no part of the claimed design.

The images are displayed on the glass as a heads up display. The broken lines shown in the drawings illustrate portions of a glass for automobiles that form no part of the claimed design.

The broken lines of uneven length show the boundary between the portions to be registered of a design patent as a partial design is pursued and the part that does not.

**1 Claim, 4 Drawing Sheets**



(56)

**References Cited**

U.S. PATENT DOCUMENTS

D839,895	S	*	2/2019	Dell	.....	D14/486
10,360,714	B1	*	7/2019	Xue	.....	G05D 1/0088
D869,494	S	*	12/2019	Guo	.....	D14/486
D872,751	S	*	1/2020	Ziezold	.....	D14/485
D878,394	S	*	3/2020	Ziezold	.....	D14/485
D890,782	S	*	7/2020	Ziezold	.....	D14/485
D895,656	S	*	9/2020	Allen	.....	D14/486
D899,442	S	*	10/2020	Jang	.....	D14/485
D911,373	S	*	2/2021	Zhao	.....	D14/486
D914,706	S	*	3/2021	Marshall	.....	D14/485
D922,411	S	*	6/2021	Kogler	.....	D14/485
D929,430	S	*	8/2021	Chan	.....	D14/486
D932,504	S	*	10/2021	Chan	.....	D14/486
D934,279	S	*	10/2021	Kogler	.....	D14/485

\* cited by examiner

FIG. 1

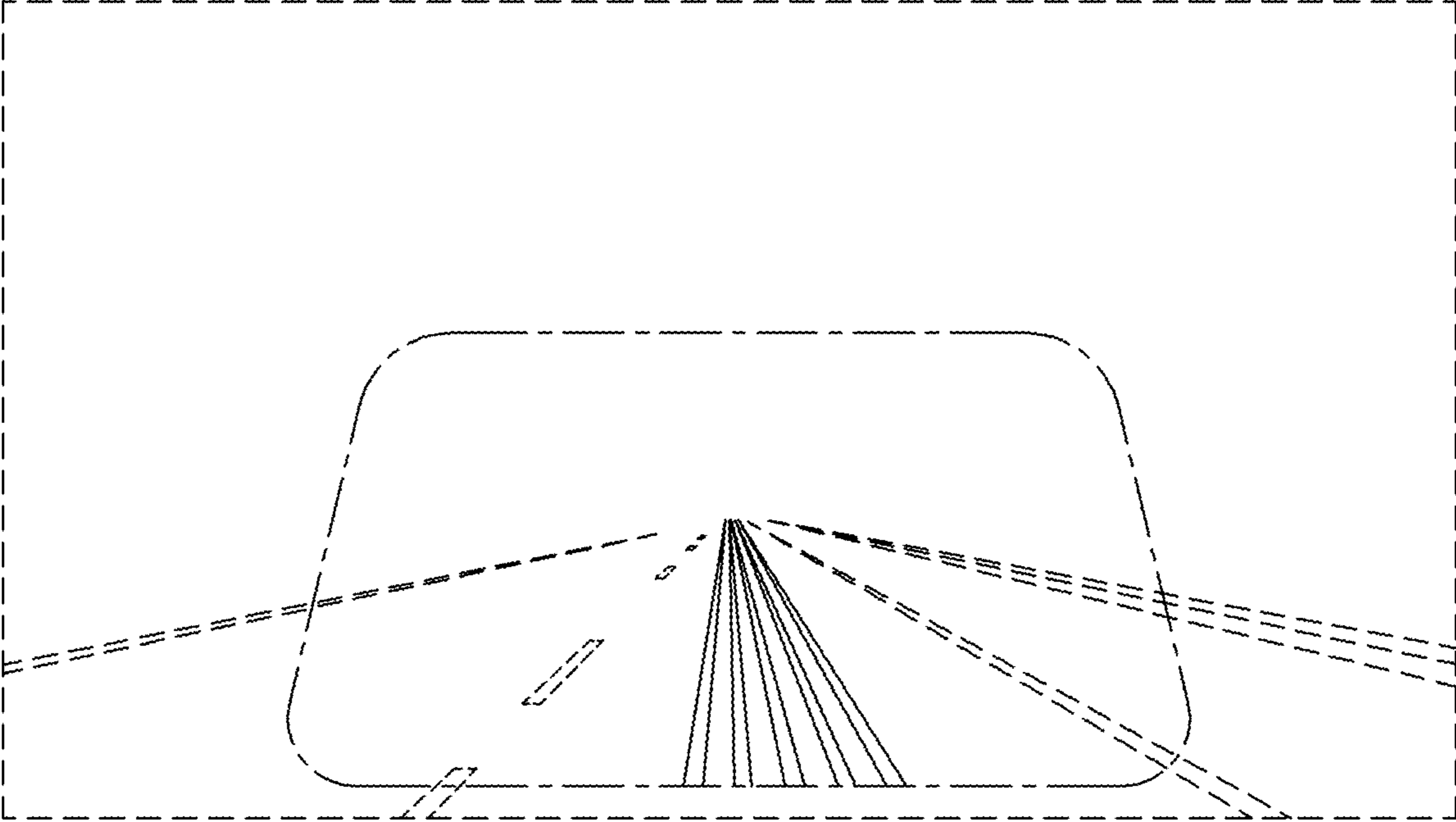


FIG. 2

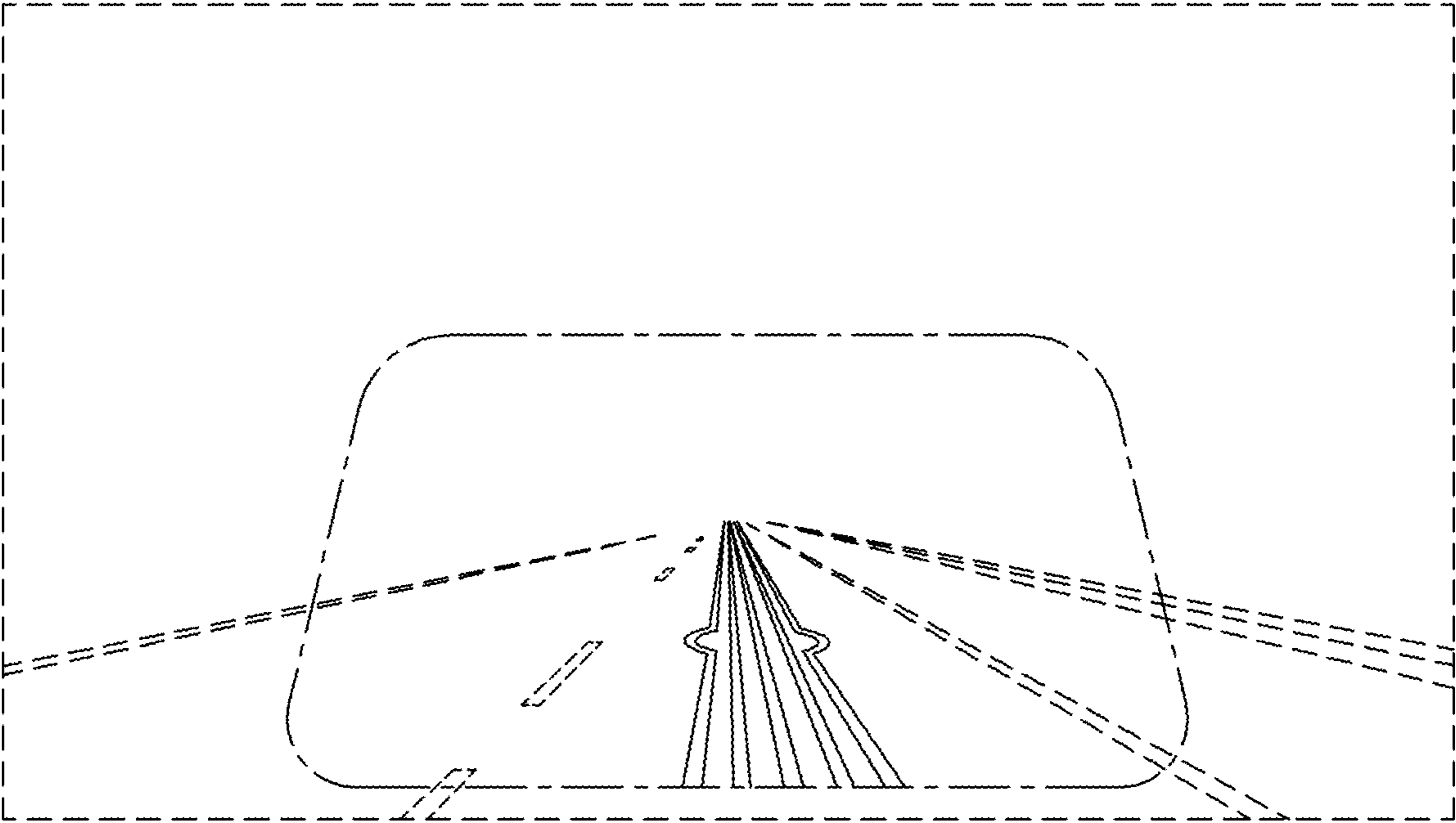


FIG. 3

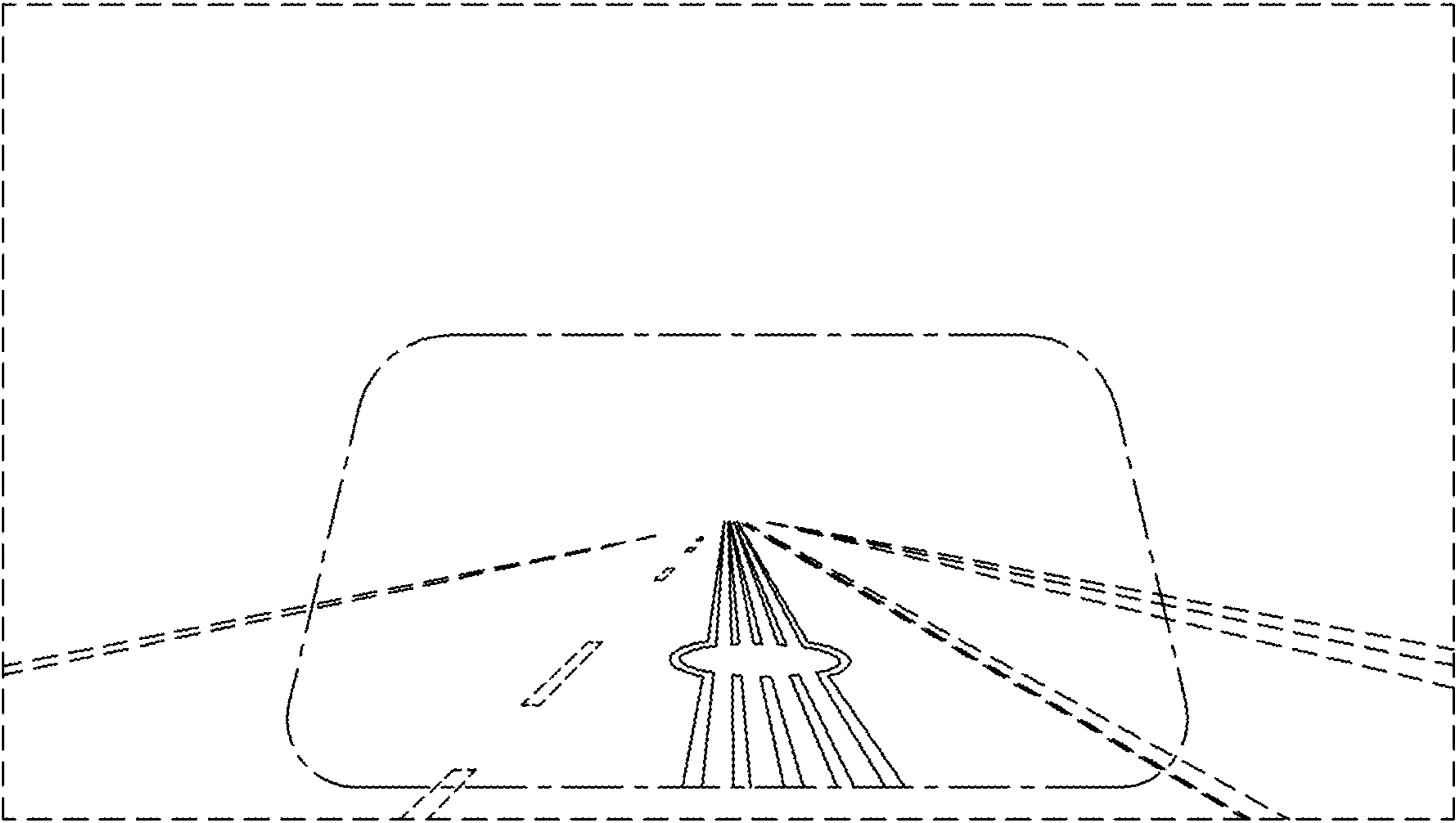


FIG. 4

