

US00D958150S

(12) **United States Design Patent**
Song

(10) **Patent No.:** **US D958,150 S**

(45) **Date of Patent:** **** Jul. 19, 2022**

(54) **USB SHELL**

(71) Applicant: **Keyong Song**, Linhai (CN)

(72) Inventor: **Keyong Song**, Linhai (CN)

(**) Term: **15 Years**

(21) Appl. No.: **29/753,010**

(22) Filed: **Sep. 29, 2020**

(51) **LOC (13) Cl.** **14-02**

(52) **U.S. Cl.**
USPC **D14/480.1**

(58) **Field of Classification Search**
USPC D14/480.1–480.7, 435.1, 411, 433, 436,
D14/484.1, 137, 155, 203.1–203.8, 240,
D14/242, 496, 474; D13/133, 154
CPC H05K 5/0278; G06K 19/07732
See application file for complete search history.

(56) **References Cited**

U.S. PATENT DOCUMENTS

D463,426 S *	9/2002	Cheng	D14/480.1
D523,015 S *	6/2006	Loftus	D14/480.1
D542,789 S *	5/2007	Depay	D14/435.1
D572,249 S *	7/2008	Yang	D14/435.1
D574,822 S *	8/2008	Bhavnani	D10/2

D579,934 S *	11/2008	Okamoto	D14/435.1
D624,925 S *	10/2010	Lu	D14/480.7
D669,904 S *	10/2012	Ni	D14/480.7
D707,690 S *	6/2014	Billington	D14/480.7
D781,867 S *	3/2017	Aulert	D14/480.1
D905,693 S *	12/2020	Xie	D14/435.1
D917,479 S *	4/2021	Deng	D14/388
D927,504 S *	8/2021	Wu	D14/480.1

* cited by examiner

Primary Examiner — Angela J Lee

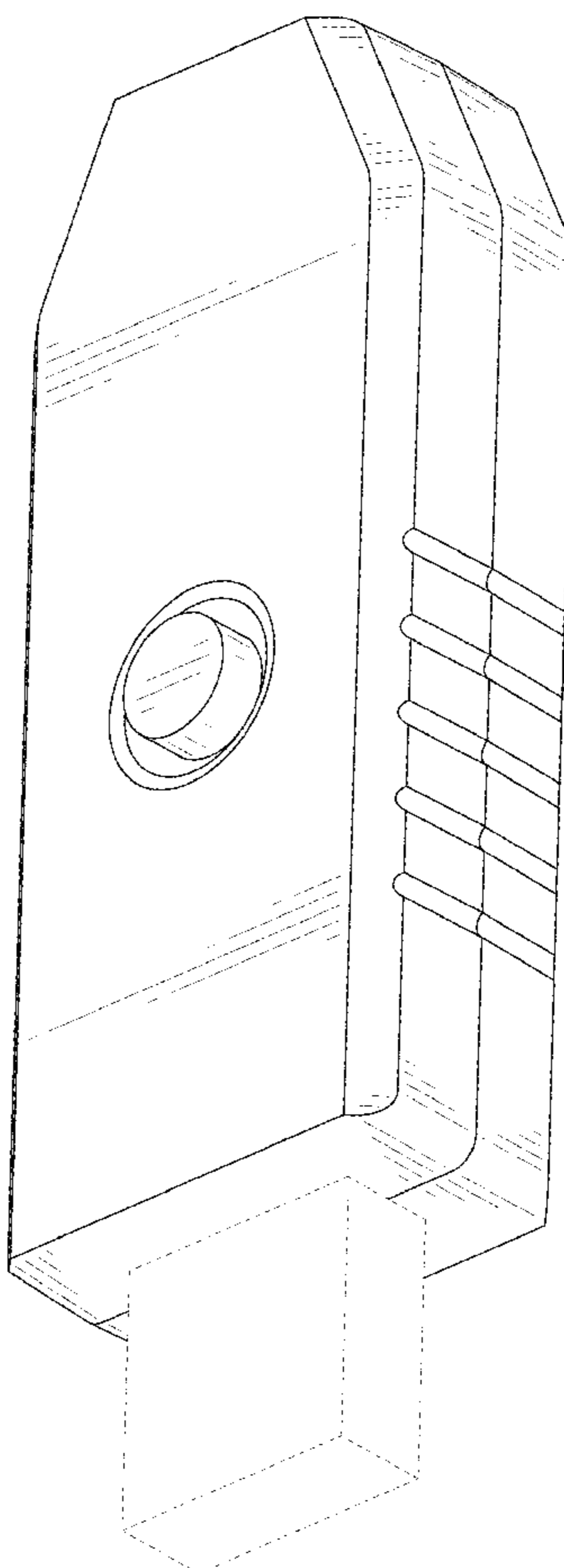
(57) **CLAIM**

The ornamental design for a USB shell, as shown and described.

DESCRIPTION

FIG. 1 is rear perspective view of the USB shell showing my new design;
 FIG. 2 is front perspective view of the USB shell showing my new design;
 FIG. 3 is a Front view thereof;
 FIG. 4 is a Rear view thereof;
 FIG. 5 is a left view thereof;
 FIG. 6 is a right view thereof;
 FIG. 7 is a top view thereof; and,
 FIG. 8 is a bottom view thereof.
 The broken lines in the drawings depict portions of the USB shell that form no part of the claimed design.

1 Claim, 8 Drawing Sheets



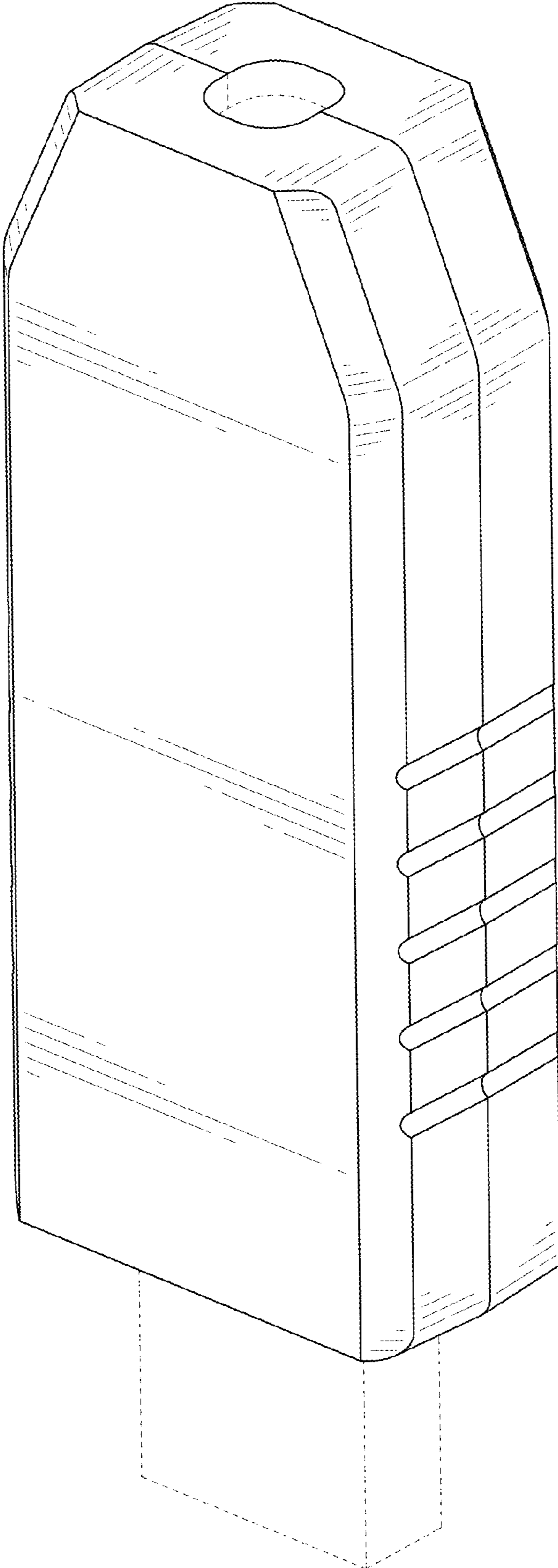


FIG. 1

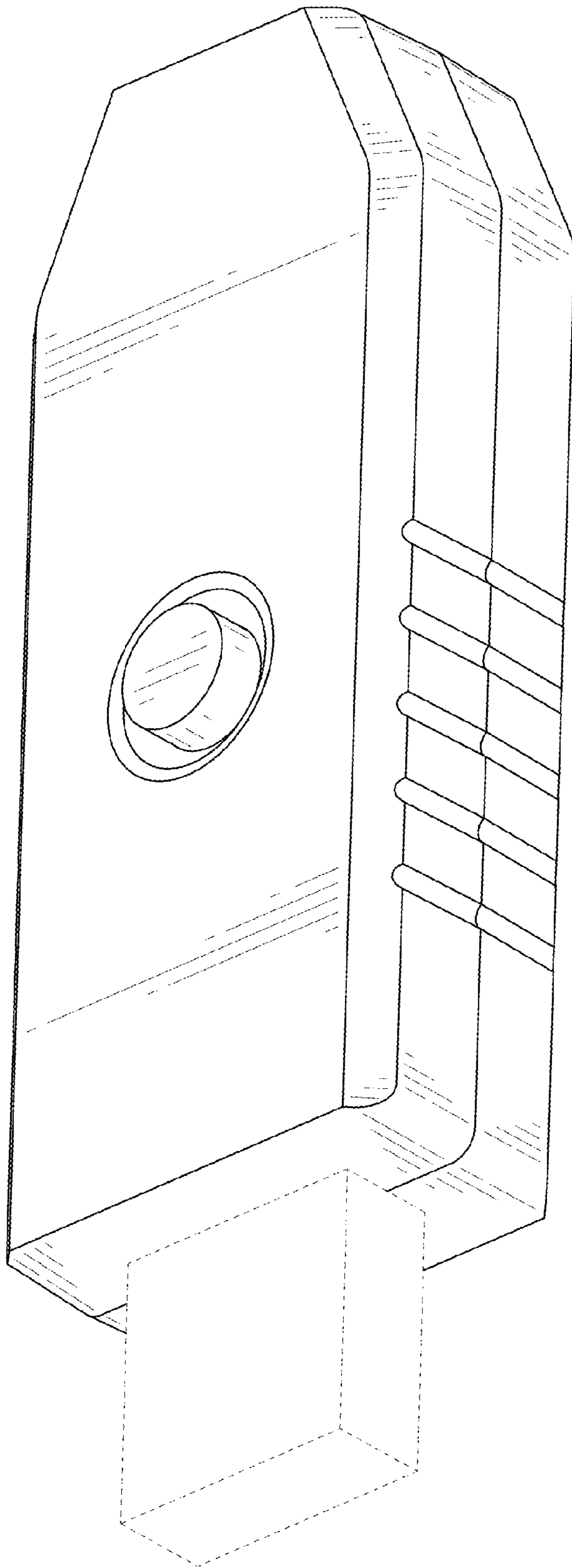


FIG. 2

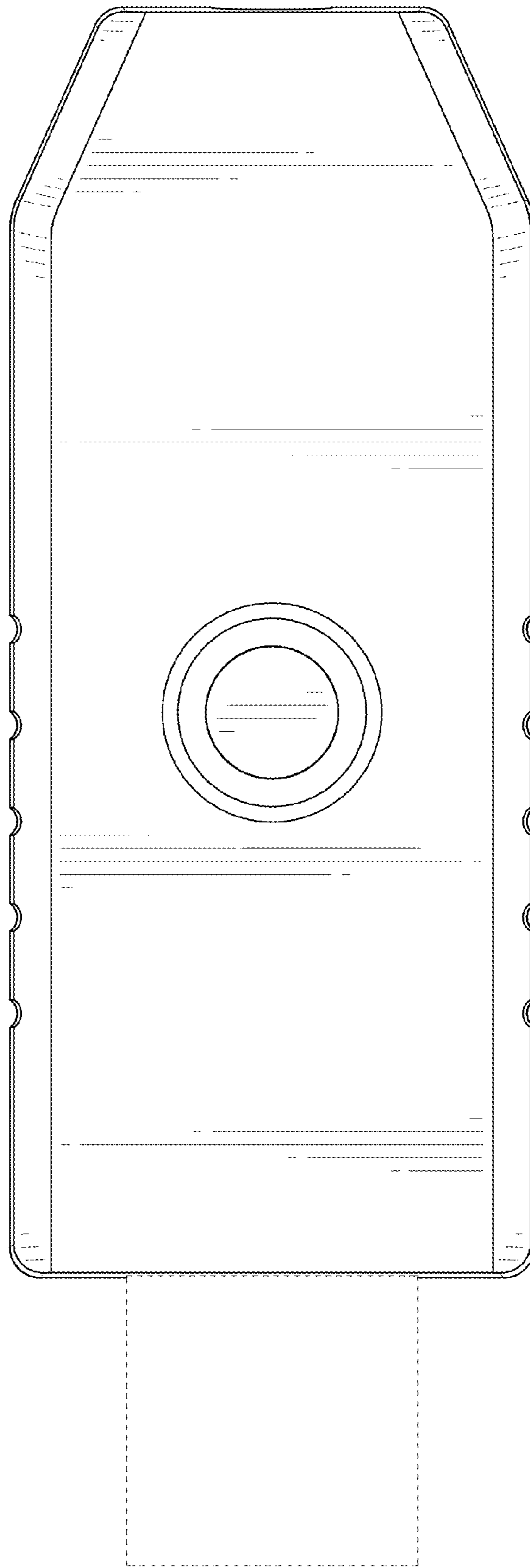


FIG. 3

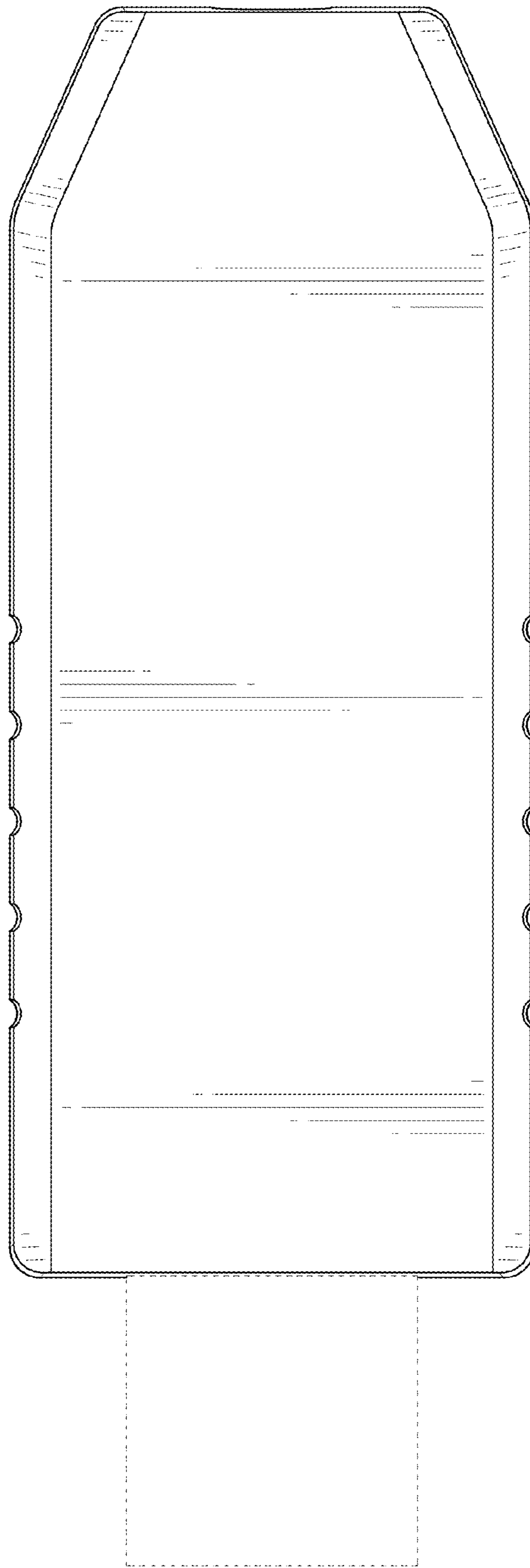


FIG. 4

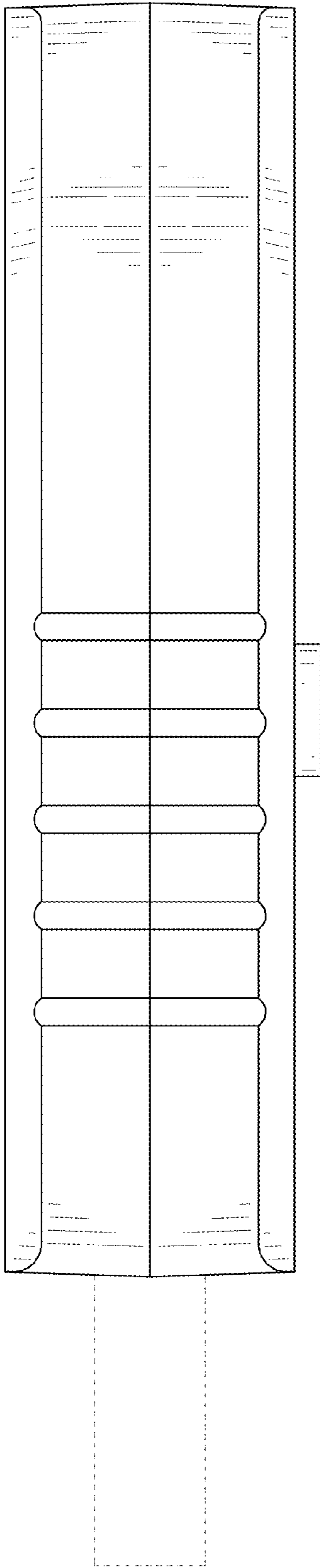


FIG. 5

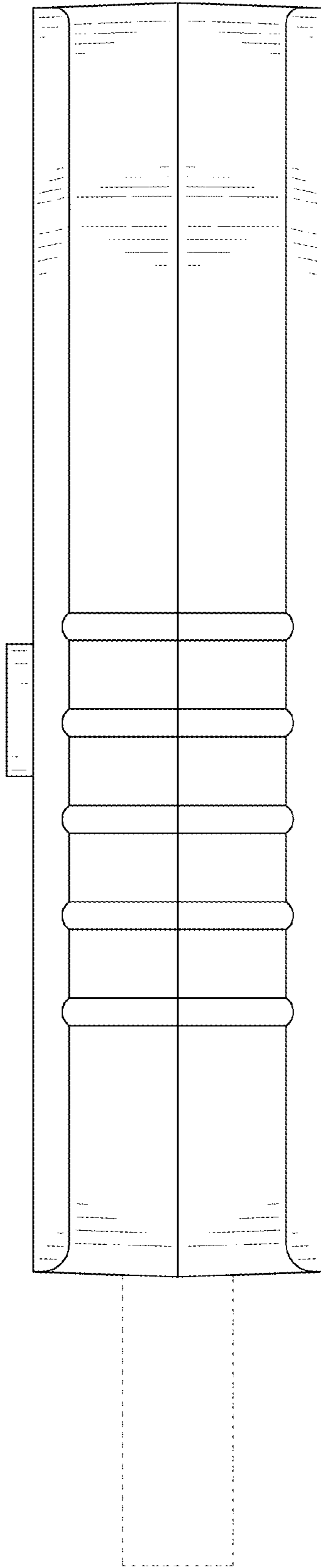


FIG. 6

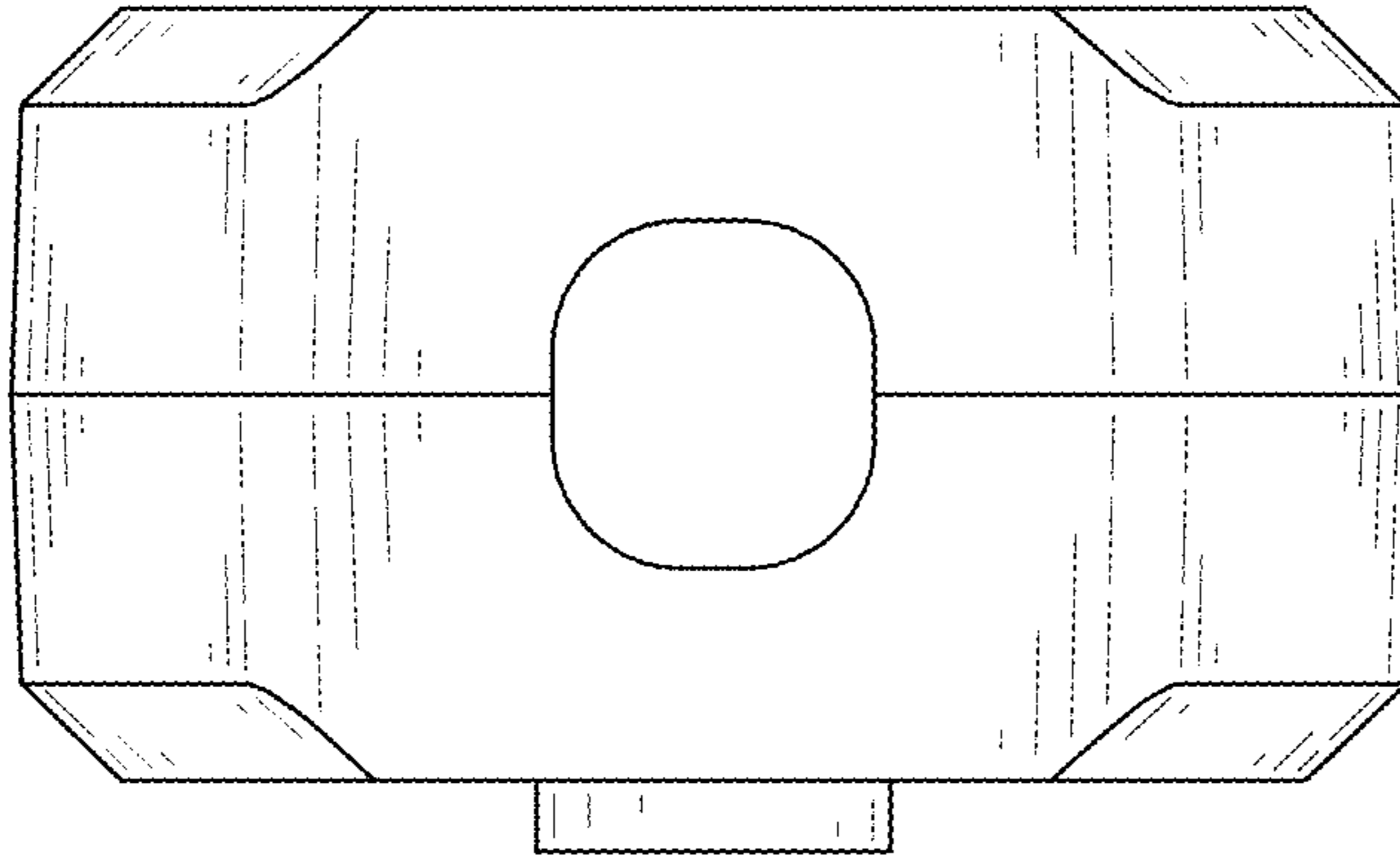


FIG. 7

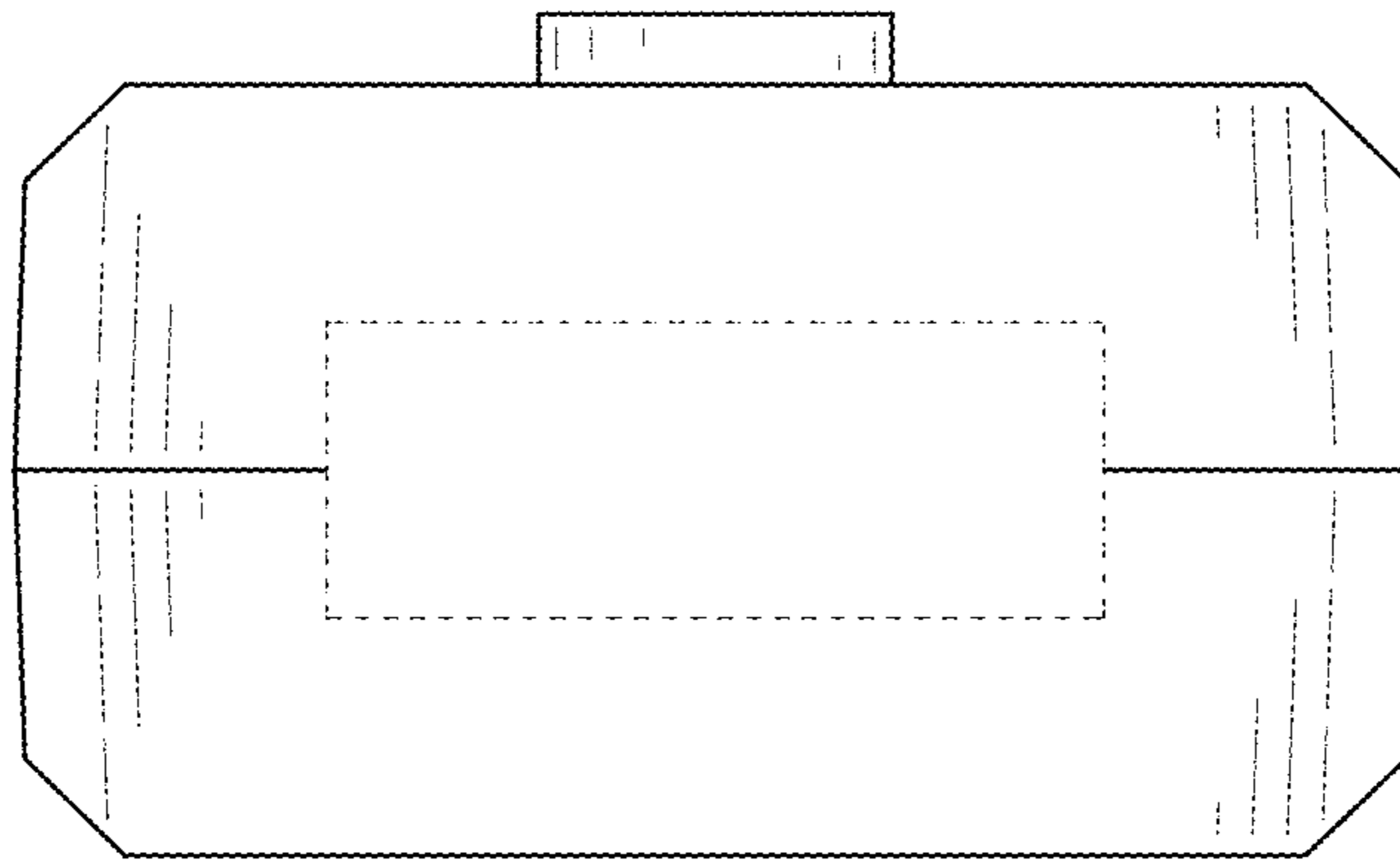


FIG. 8