



US00D958149S

(12) **United States Design Patent**
Carrasquillo et al.

(10) **Patent No.:** **US D958,149 S**
(45) **Date of Patent:** **** Jul. 19, 2022**

(54) **POLE ARM SUPPORT**

FOREIGN PATENT DOCUMENTS

(71) Applicant: **Innovative Office Products, LLC**,
Easton, PA (US)

CA 2488192 A1 * 12/2005 F16B 2/10
EM 001337992-0005 * 8/2012

(Continued)

(72) Inventors: **Peter J. Carrasquillo**, Kennett Square,
PA (US); **Stephen J. Bowman**,
Saylorsburg, PA (US)

OTHER PUBLICATIONS

(73) Assignee: **Innovative Office Products, LLC**,
Easton, PA (US)

CDW. Link: <https://www.cdw.com/product/siig-single-pole-multi-angle-articulating-arm-monitor-desk-mount-14-to-30/6329710?enkwr=CE-MT3D11-S1>. Visited Jun. 15, 2021. SIIG Single Pole Multi-Angle Articulating Arm Monitor Desk Mount 14" to 30." (Year: 2021).*

(Continued)

(**) Term: **15 Years**

Primary Examiner — Lauren D McVey

(21) Appl. No.: **29/731,891**

(74) *Attorney, Agent, or Firm* — Design IP

(22) Filed: **Apr. 20, 2020**

(57) **CLAIM**

The ornamental design for a pole arm support, as shown and described.

Related U.S. Application Data

DESCRIPTION

(63) Continuation of application No. 29/666,471, filed on Oct. 12, 2018, now Pat. No. Des. 895,634, which is a (Continued)

FIG. 1 is a perspective view of a pole arm support showing our new design;

(51) **LOC (13) Cl.** **14-02**

FIG. 2 is a front view thereof;

(52) **U.S. Cl.**

FIG. 3 is a rear view thereof;

USPC **D14/452**

FIG. 4 is a left side view thereof;

(58) **Field of Classification Search**

FIG. 5 is a right side view thereof;

USPC D14/239, 371, 372, 373, 374, 375, 376,
D14/377, 447-452, 125, 127, 128, 129,
(Continued)

FIG. 6 is a top view thereof;

(56) **References Cited**

FIG. 7 is a bottom view thereof;

U.S. PATENT DOCUMENTS

FIG. 8 is a perspective view of the pole arm support showing the pole arm support of FIG. 1 rotated 180 degrees with additional broken line environment; and,

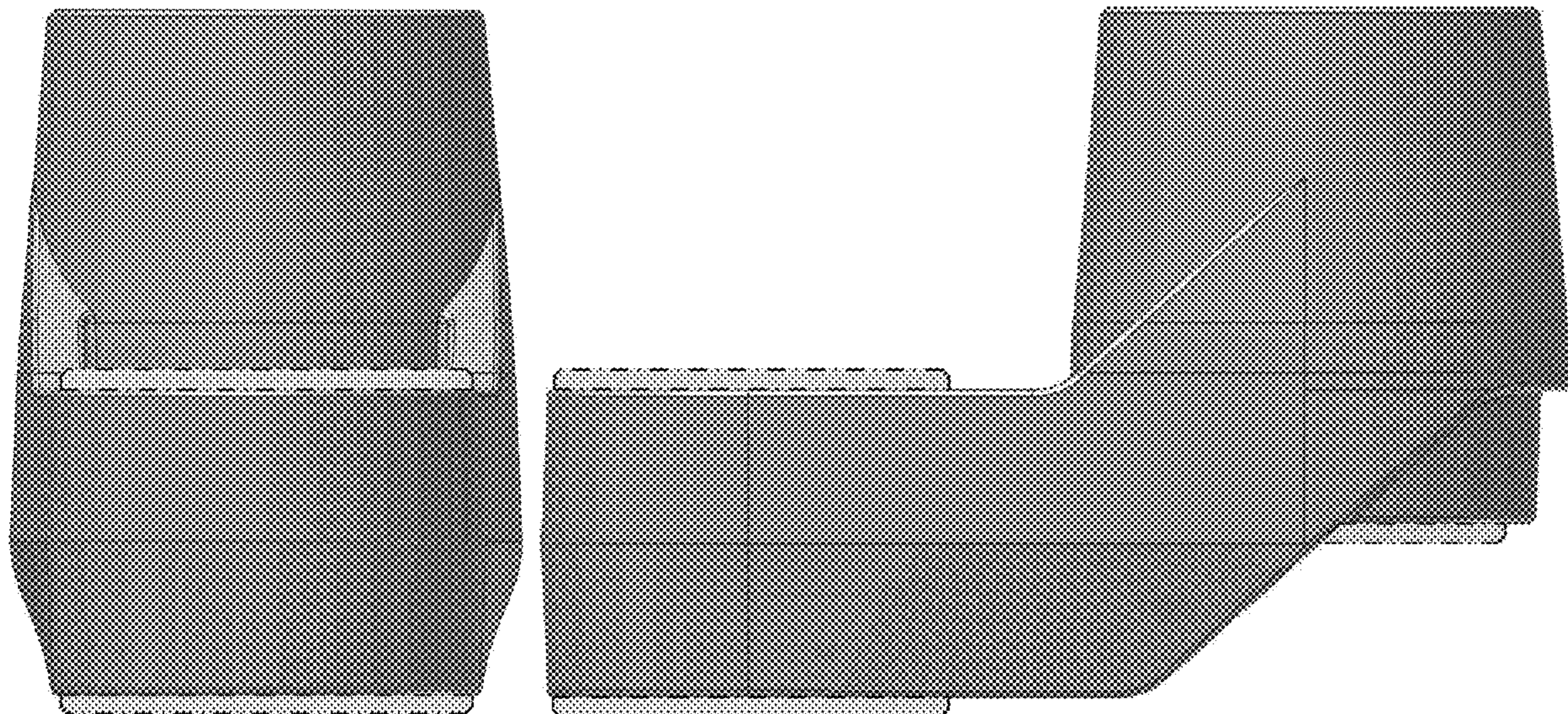
5,277,391 A * 1/1994 Haug E03C 1/066
248/218.4

FIG. 9 is a perspective view showing two of the pole arm supports of FIG. 1 with additional broken line environment. The dash-dot broken lines depict the bounds of the claimed design and the areas shown within the dash-dot lines represent portions of the pole arm support that form no part of the claimed design.

D543,093 S * 5/2007 Chan D8/363

(Continued)

1 Claim, 6 Drawing Sheets



Related U.S. Application Data

continuation of application No. 29/579,054, filed on Sep. 27, 2016, now abandoned.

(58) **Field of Classification Search**

USPC D14/335–337, 341, 126; D8/355, 363, D8/373; D6/672, 682
CPC F16M 11/2085; F16M 11/2092; F16M 11/2007; F16M 11/2014; F16M 11/2021; F16M 11/105; F16M 11/048; F16M 11/12; F16M 13/022; F16M 11/10

See application file for complete search history.

(56)

References Cited

U.S. PATENT DOCUMENTS

D652,422 S * 1/2012 Cheng D14/447
D662,102 S * 6/2012 Derry D14/452
D671,394 S * 11/2012 Derry D8/373
D753,128 S * 4/2016 Anderson D14/452
D772,236 S * 11/2016 Anderson D14/452
D783,624 S * 4/2017 Reaux D14/447

D832,860 S * 11/2018 Murphey D14/452
D895,634 S * 9/2020 Carrasquillo D14/452
2014/0191103 A1* 7/2014 Simon F16M 11/105
248/558
2018/0094768 A1* 4/2018 Burke F16M 11/2014
2021/0001780 A1* 1/2021 Hancock F16M 11/10

FOREIGN PATENT DOCUMENTS

EM 003803691-0001 * 7/2017
EM 003803691-0002 * 7/2017
EM 003803691-0003 * 7/2017
EM 003803691-0004 * 7/2017
WO WO-2018141000 A1 * 8/2018 F16M 11/2092

OTHER PUBLICATIONS

CDW. Link: <https://www.cdw.com/product/hanwha-techwin-sbp-390wmw2-camera-long-arm-mount/6084083>. Visited Jun. 15, 2021.
Hanwha Techwin SBP-390WMW2—camera long arm mount. (Year: 2021).*

* cited by examiner

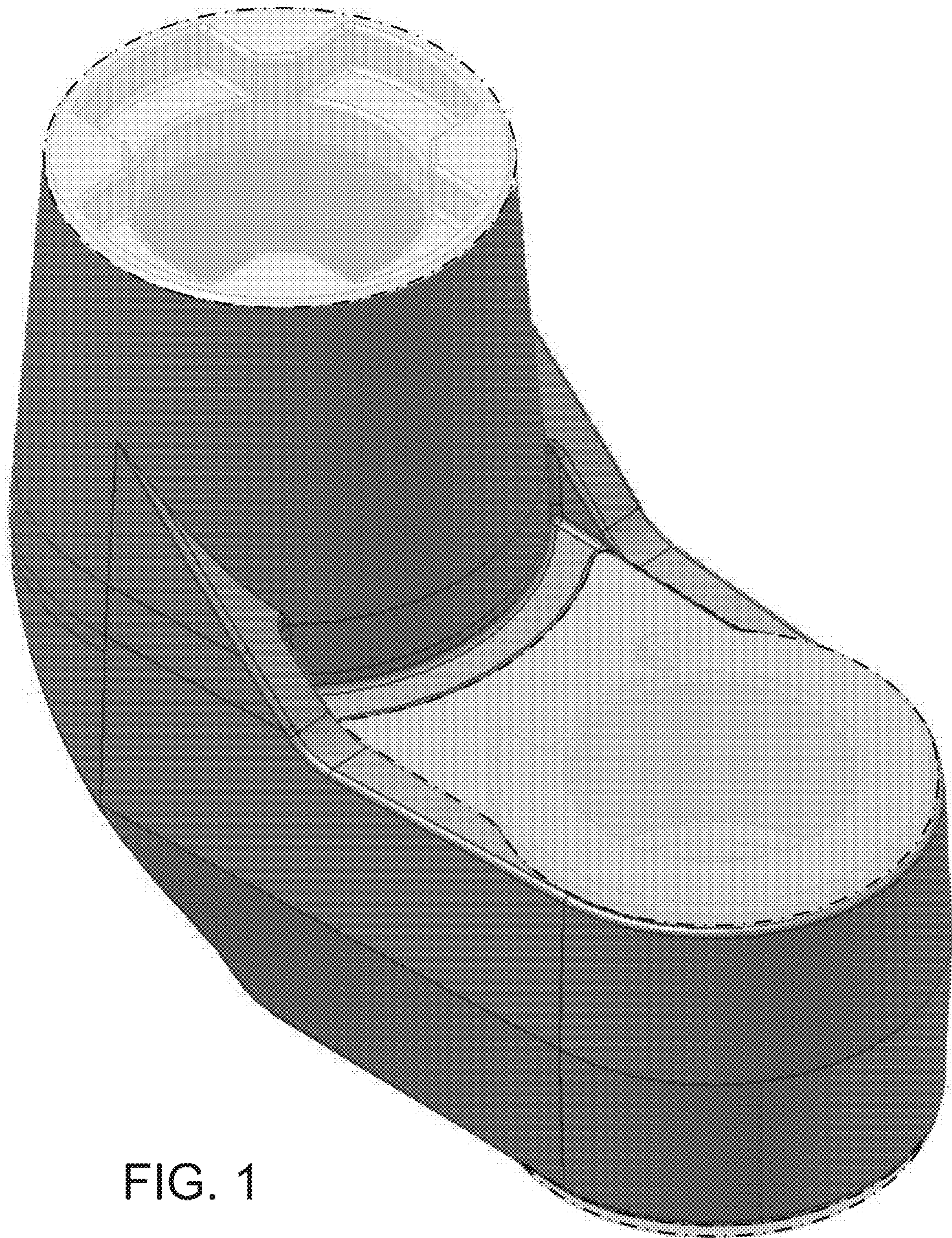


FIG. 1

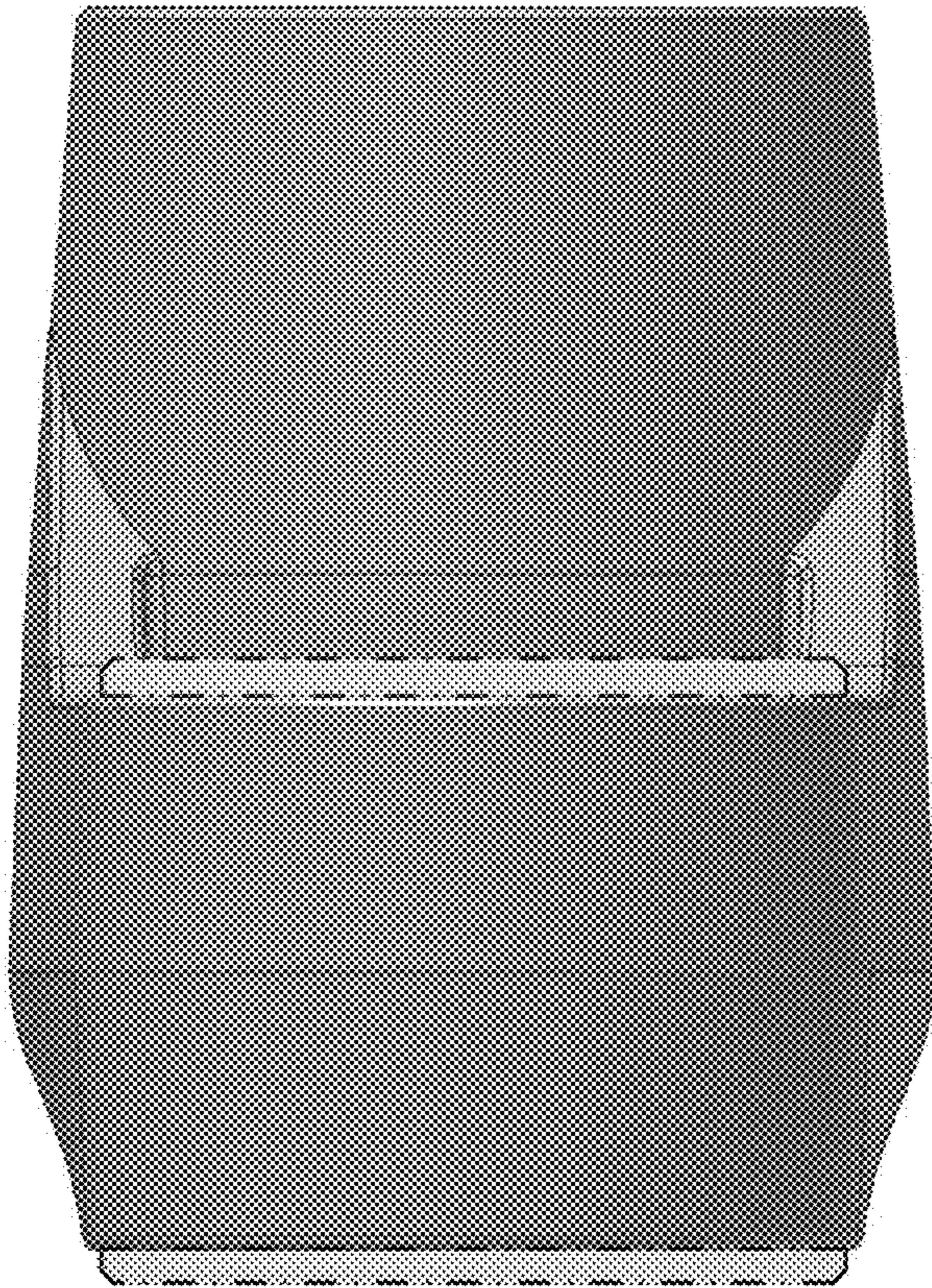


FIG. 2



FIG. 3

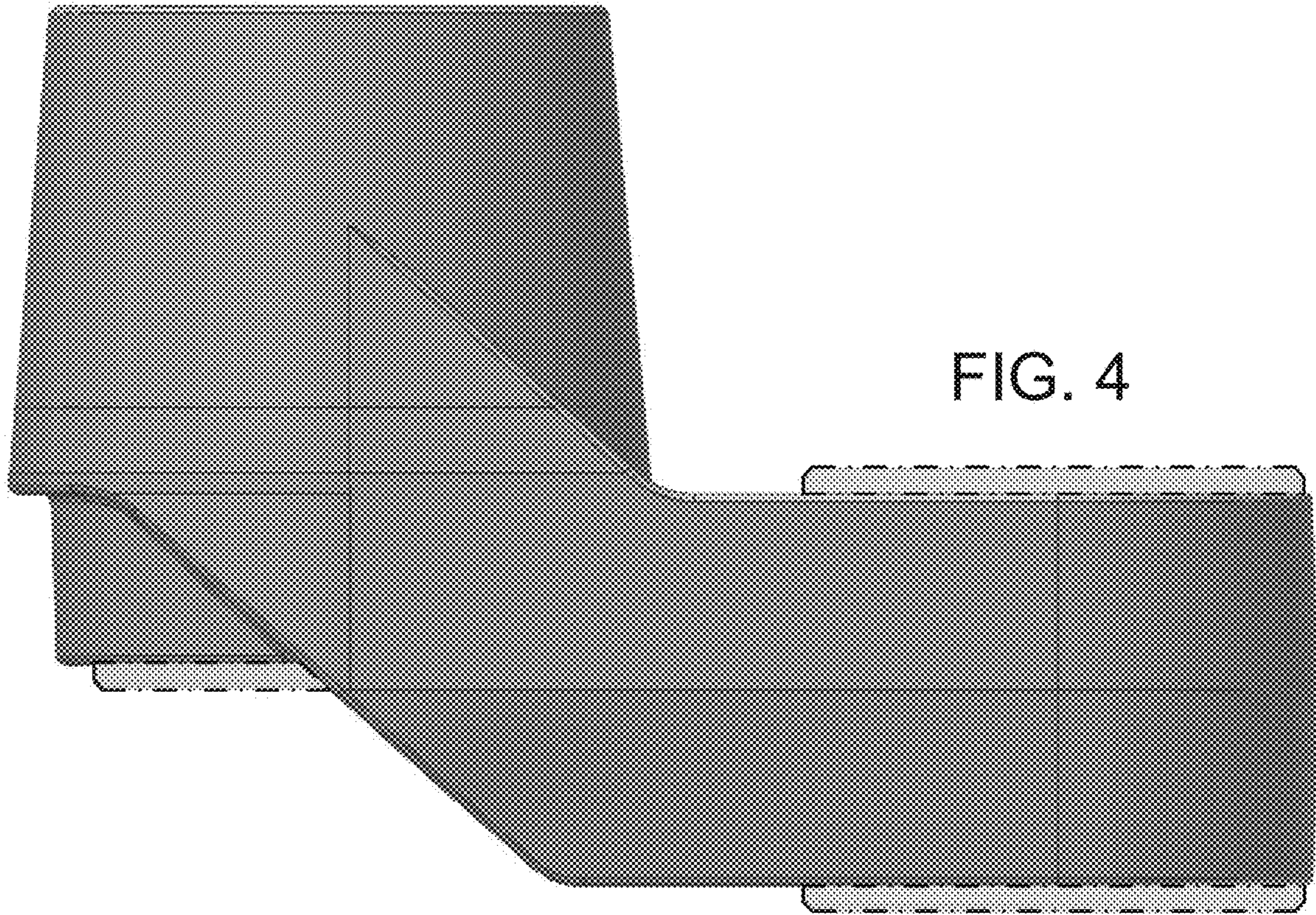


FIG. 4

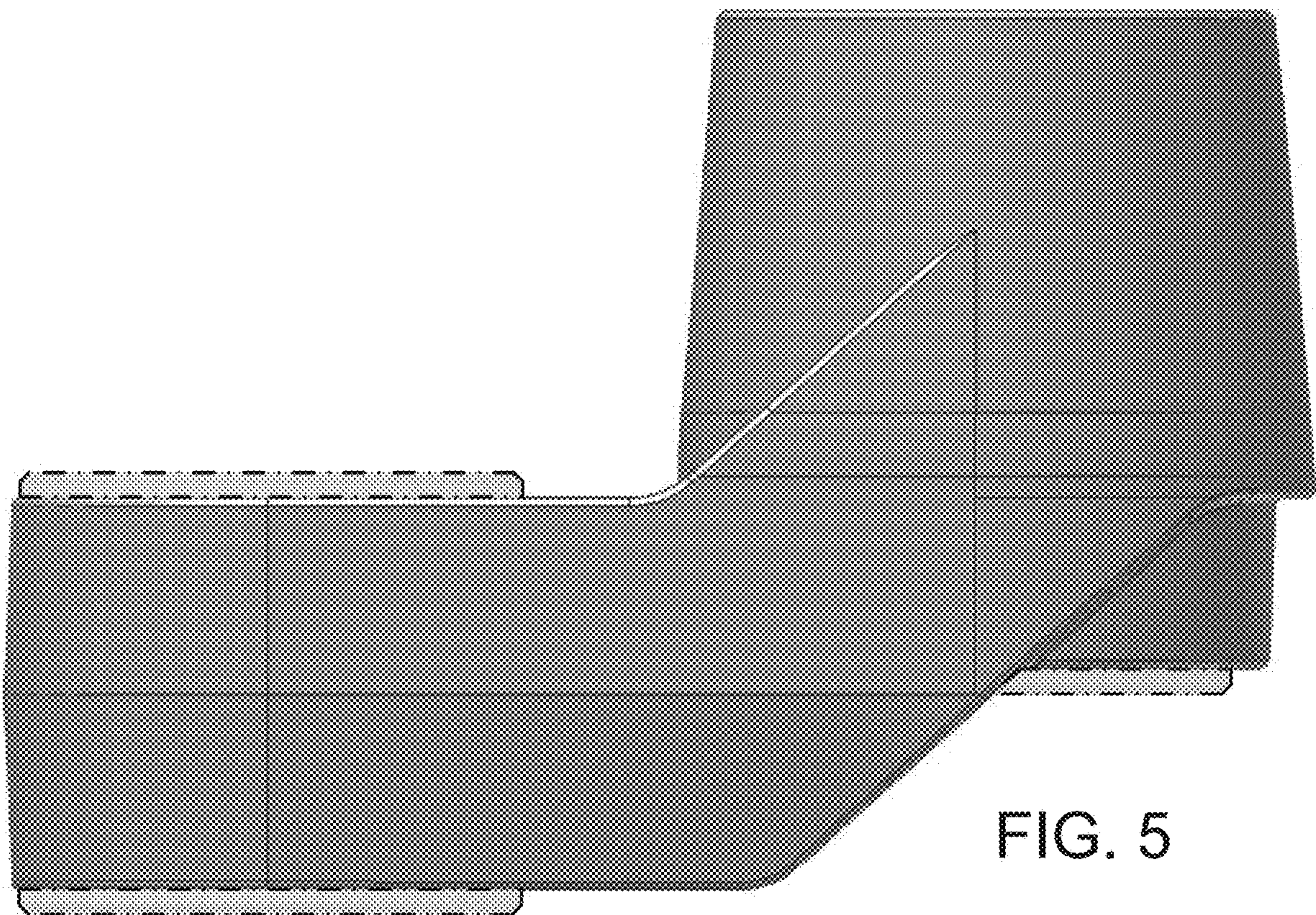


FIG. 5

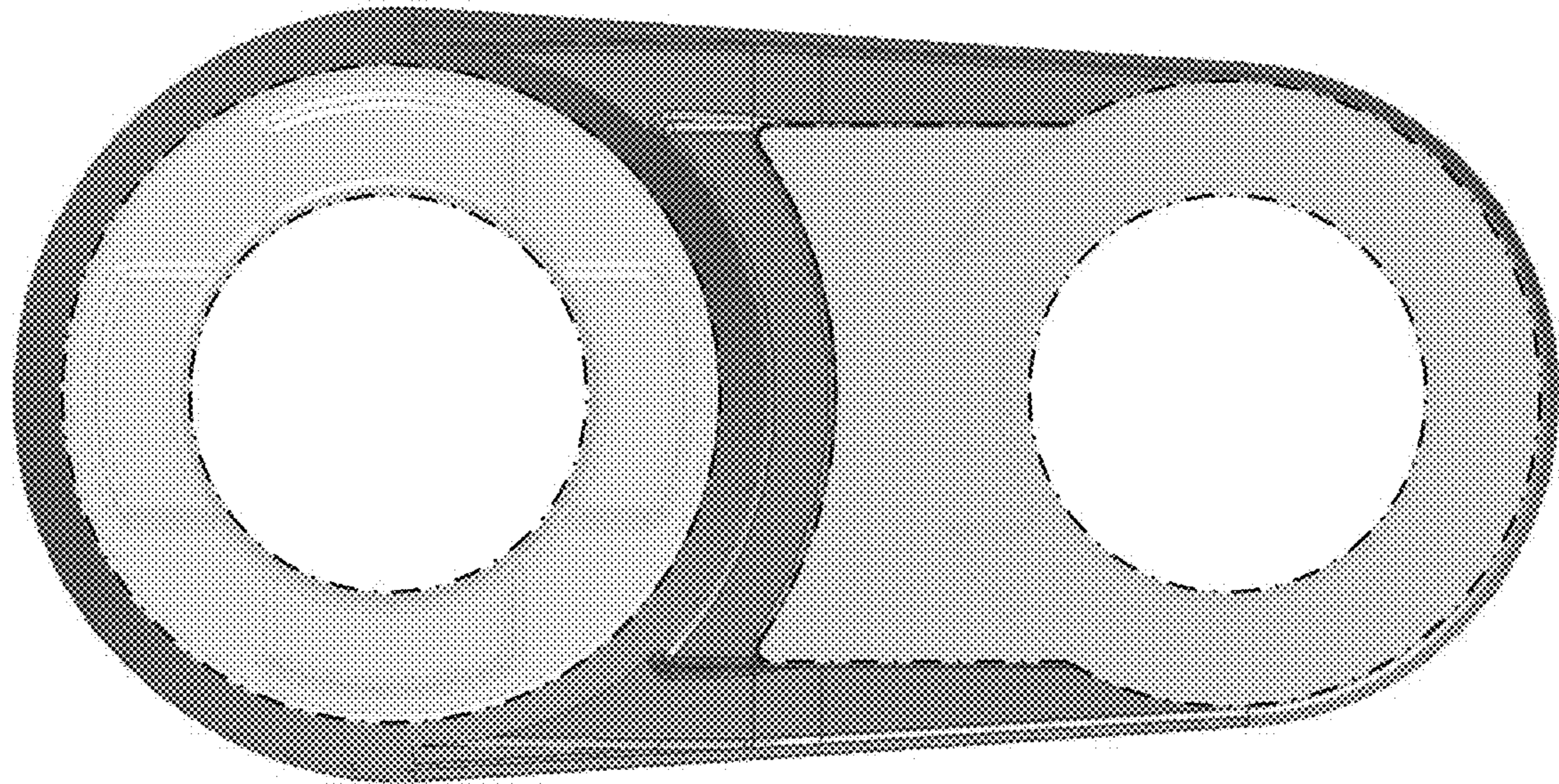


FIG. 6

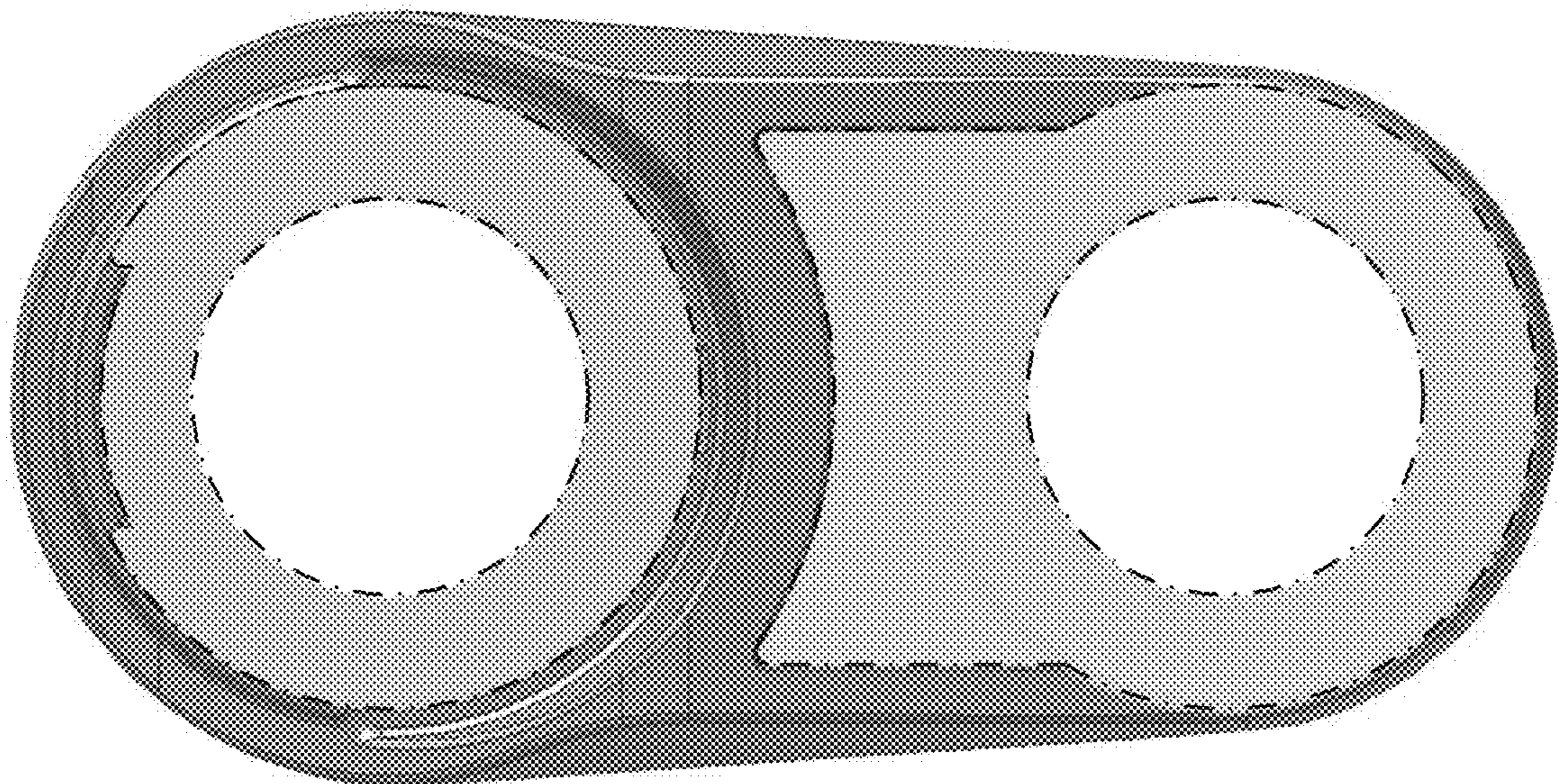


FIG. 7

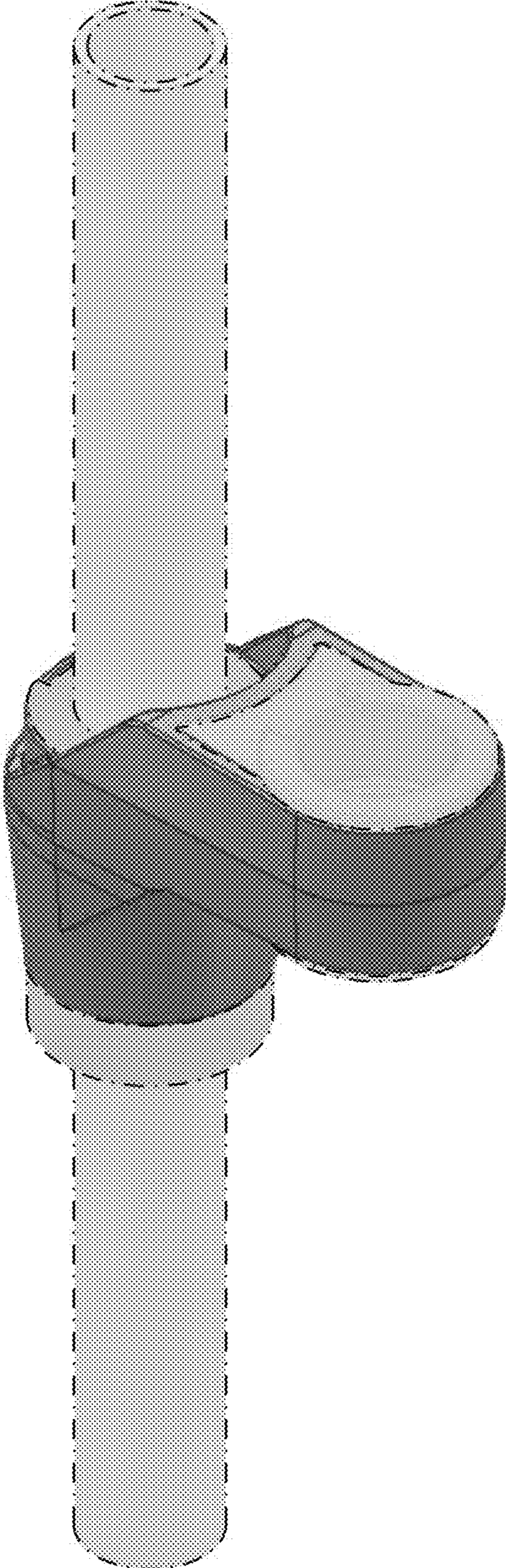


FIG. 8

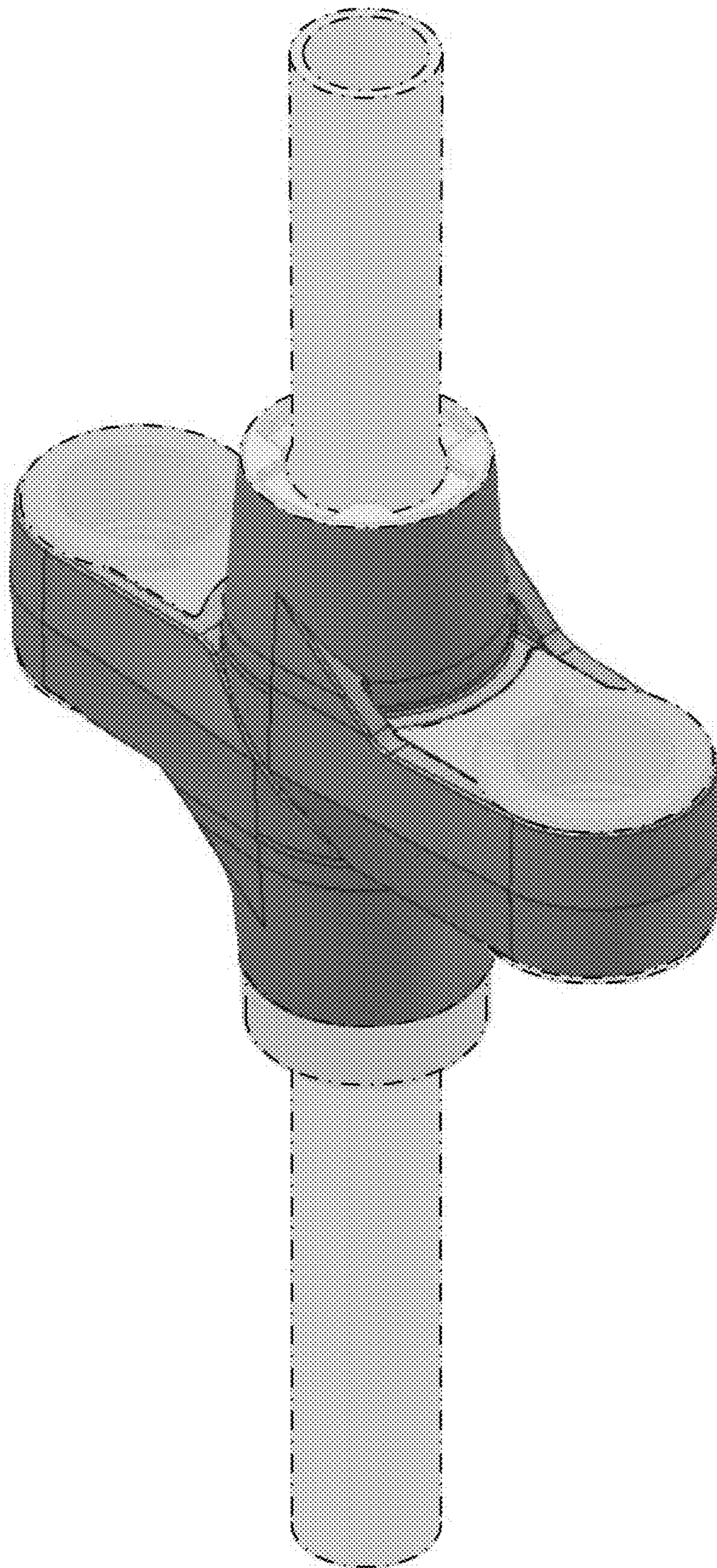


FIG. 9