



US00D958145S

(12) **United States Design Patent**  
**Cai**

(10) **Patent No.:** **US D958,145 S**

(45) **Date of Patent:** **\*\* \*Jul. 19, 2022**

(54) **TABLET COMPUTER CASE**

(71) Applicant: **Hua-Li Cai**, Hunan (CN)

(72) Inventor: **Hua-Li Cai**, Hunan (CN)

(\*) Notice: This patent is subject to a terminal disclaimer.

(\*\*) Term: **15 Years**

(21) Appl. No.: **29/675,433**

(22) Filed: **Jan. 2, 2019**

(51) **LOC (13) Cl.** ..... **14-02**

(52) **U.S. Cl.**  
USPC ..... **D14/440**

(58) **Field of Classification Search**  
USPC ..... D14/440, 447, 250; 206/45.23, 320,  
206/45.2; 361/679.55; 294/25; 224/218  
CPC .... G06F 1/1628; G06F 1/1626; G06F 1/1669;  
A47B 23/044; H04B 1/3888  
See application file for complete search history.

(56) **References Cited**

**U.S. PATENT DOCUMENTS**

D675,625 S *	2/2013	Hasbrook	.....	D14/440
D696,256 S *	12/2013	Piedra	.....	D14/440
D696,669 S *	12/2013	Akana	.....	D14/440
D700,611 S *	3/2014	Boldetti	.....	D14/440
8,766,921 B2 *	7/2014	Ballagas	.....	G09G 5/00 345/168
D729,253 S *	5/2015	Nyholm	.....	D14/440
D733,152 S *	6/2015	Sirichai	.....	D14/440
9,095,194 B2 *	8/2015	Hassett	.....	A45C 11/00
D744,489 S *	12/2015	Sirichai	.....	D14/440
9,227,763 B2 *	1/2016	Gengler	.....	B65D 25/00
D764,472 S *	8/2016	Corcoran	.....	D14/440
9,451,822 B2 *	9/2016	Gu	.....	A47B 23/044
D770,457 S *	11/2016	Massucco	.....	D14/440
D772,880 S *	11/2016	Corcoran	.....	D14/440
D779,494 S *	2/2017	Hallier	.....	D14/252

D789,342 S *	6/2017	Sirichai	.....	D14/250
D792,887 S *	7/2017	Zhang	.....	D14/440
D807,363 S *	1/2018	Hallier	.....	D14/440
D807,365 S *	1/2018	Liu	.....	D14/440
D807,892 S *	1/2018	Wang	.....	D14/440
D808,394 S *	1/2018	Lakraa	.....	D14/440
D808,395 S *	1/2018	Fenton	.....	D14/440
D811,411 S *	2/2018	Moore	.....	D14/440
D822,675 S *	7/2018	Zhu	.....	D14/455
D832,852 S *	11/2018	Jinkinson	.....	D14/440
D832,853 S *	11/2018	Jinkinson	.....	D14/440
D832,854 S *	11/2018	Jinkinson	.....	D14/440
D832,856 S *	11/2018	Jinkinson	.....	D14/440
10,349,544 B2 *	7/2019	Katsuyama	.....	G06F 1/16

(Continued)

*Primary Examiner* — Cynthia R Underwood

(74) *Attorney, Agent, or Firm* — Georgi Korobanov

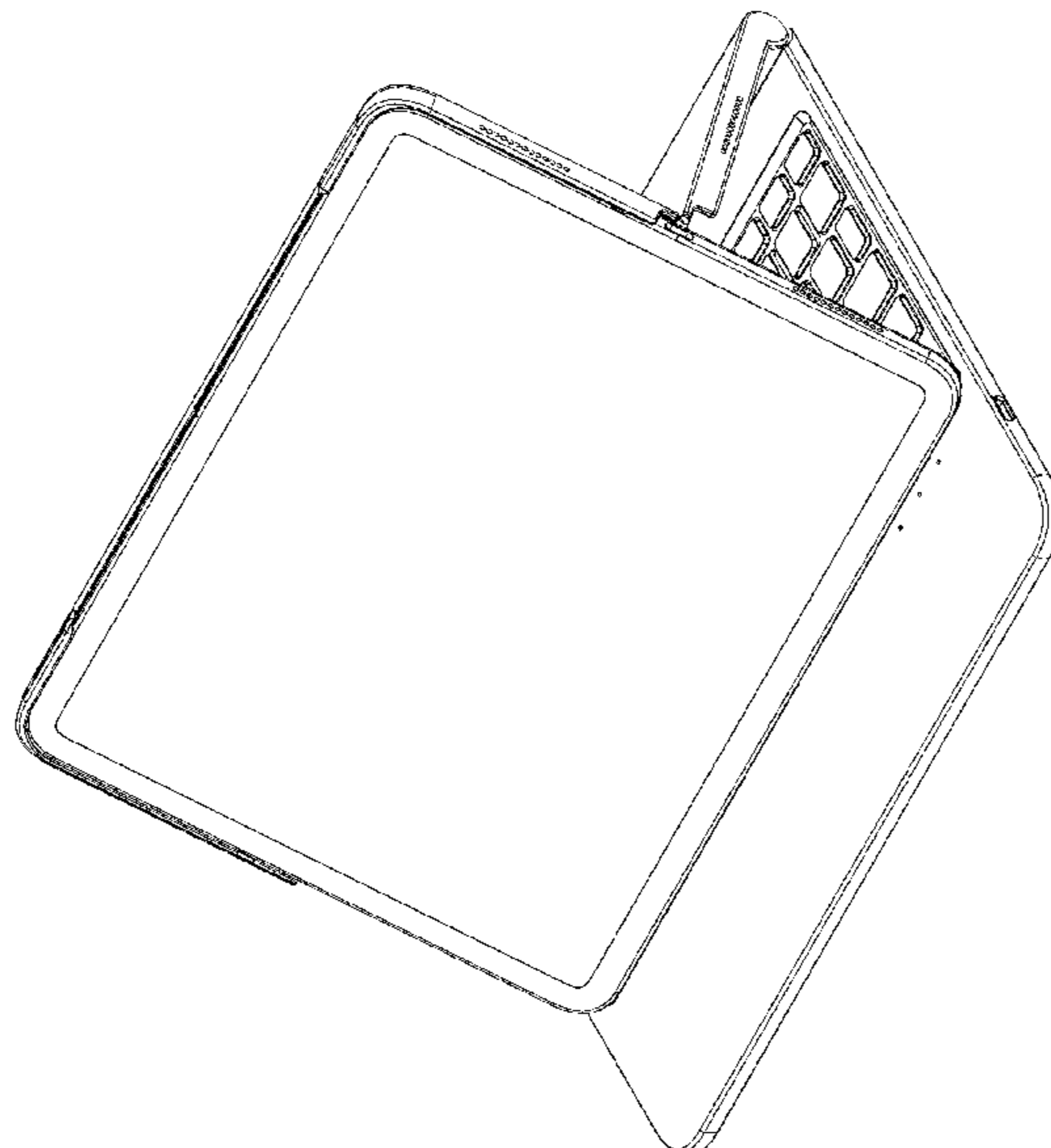
(57) **CLAIM**

The ornamental design for a tablet computer case, as shown and described.

**DESCRIPTION**

FIG. 1 is a right, front perspective view of a tablet computer case showing my new design;  
 FIG. 2 is a front elevational view thereof;  
 FIG. 3 is a top plan view thereof;  
 FIG. 4 is a left side elevational view thereof;  
 FIG. 5 is a rear elevational view thereof;  
 FIG. 6 is a right side view thereof  
 FIG. 7 is a bottom plan view thereof  
 FIG. 8 is a perspective view thereof, in an open configuration of use;  
 FIG. 9 is a perspective view thereof, in a second open configuration of use;  
 FIG. 10 is a perspective view thereof, in a third configuration of use;  
 FIG. 11 is perspective view thereof, in a fourth open configuration of use; and,  
 FIG. 12 is a left, front perspective view thereof.

**1 Claim, 12 Drawing Sheets**



(56)

**References Cited**

U.S. PATENT DOCUMENTS

2009/0194209	A1 *	8/2009	De Filippis .....	A45C 11/00 150/107
2009/0201254	A1 *	8/2009	Rais .....	G06F 1/1613 345/168
2010/0300909	A1 *	12/2010	Hung .....	H04M 1/04 206/320
2012/0211377	A1 *	8/2012	Sajid .....	G06F 1/1628 206/216
2013/0214661	A1 *	8/2013	McBroom .....	G06F 1/1667 312/325
2013/0264459	A1 *	10/2013	McCosh .....	G06F 1/1626 248/688
2014/0029189	A1 *	1/2014	Chang .....	G06F 1/1662 361/679.11
2014/0083883	A1 *	3/2014	Elias .....	G06F 1/1626 206/320
2014/0211393	A1 *	7/2014	Lee .....	G06F 1/1626 361/679.12
2014/0218855	A1 *	8/2014	Fujino .....	G06F 1/1681 361/679.12
2015/0293601	A1 *	10/2015	Gu .....	G06F 3/0202 345/168
2015/0296060	A1 *	10/2015	Gu .....	H04M 1/0235 455/575.4
2015/0296068	A1 *	10/2015	Chin .....	G06F 1/1628 455/575.8
2016/0011628	A1 *	1/2016	Sato .....	G06F 1/1656 361/679.3
2016/0187937	A1 *	6/2016	Ahee .....	G06F 1/1681 361/679.09

\* cited by examiner

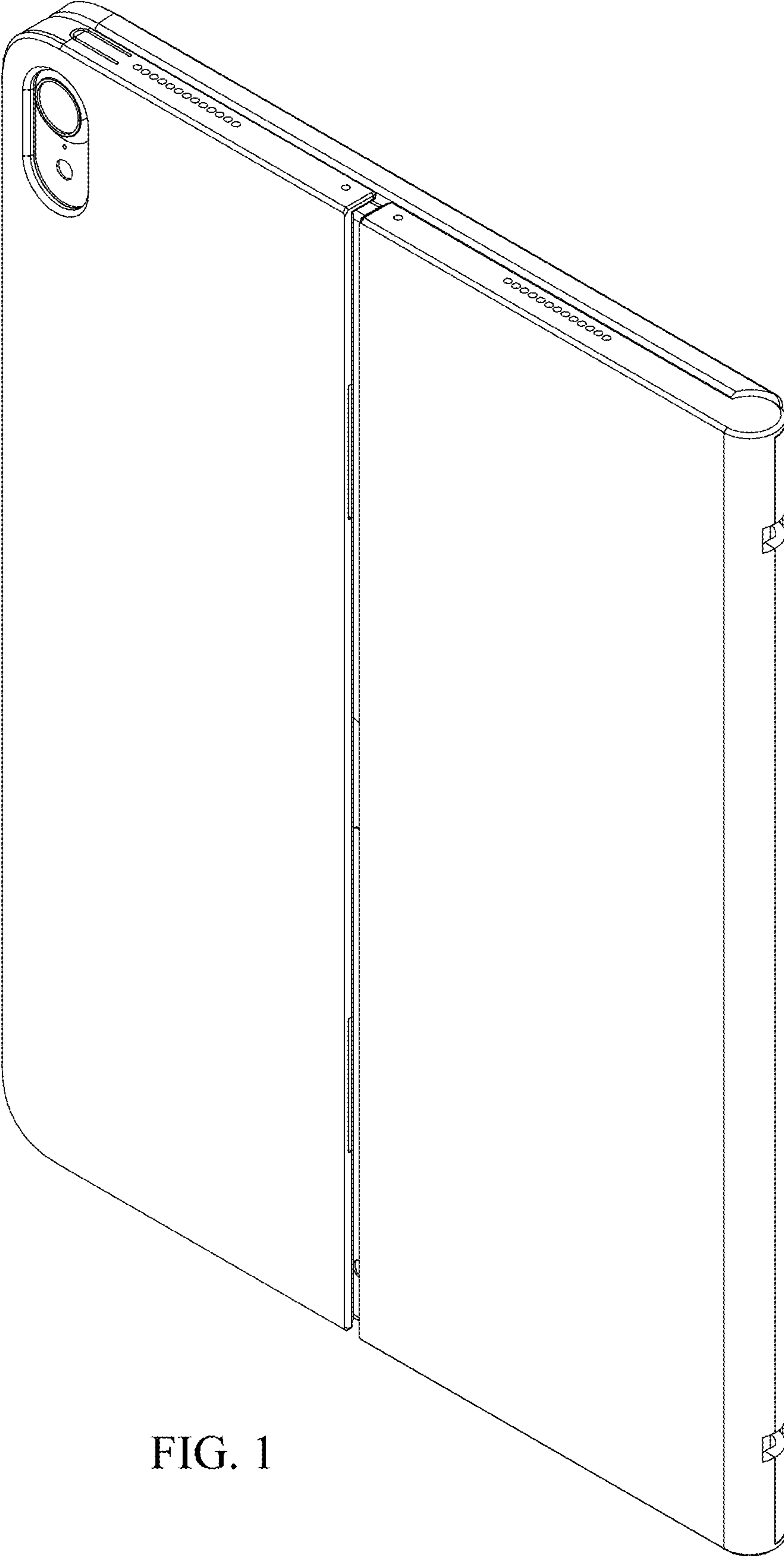


FIG. 1

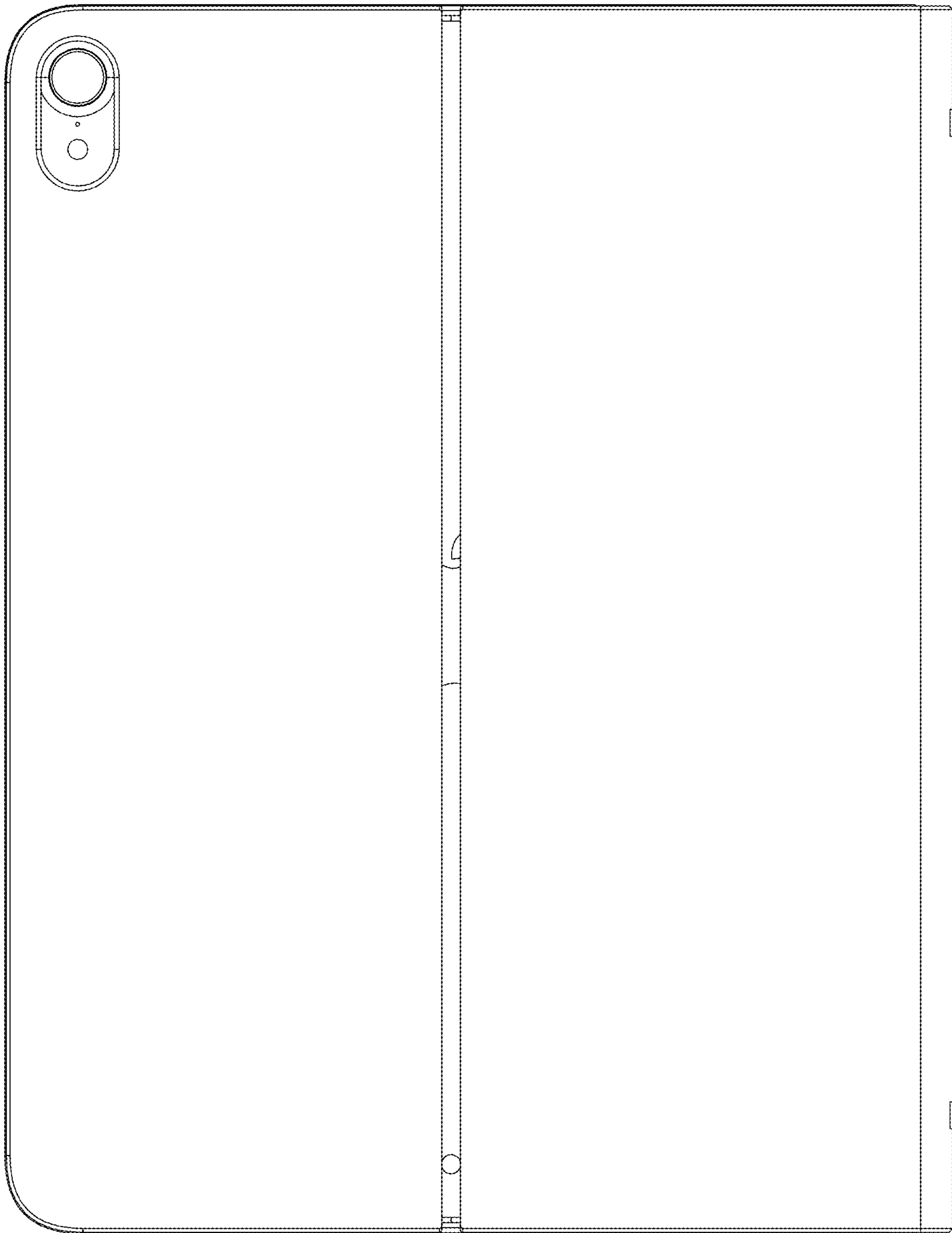


FIG. 2

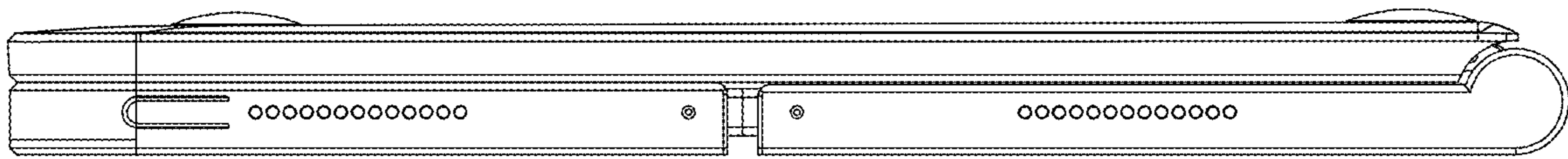


FIG. 3

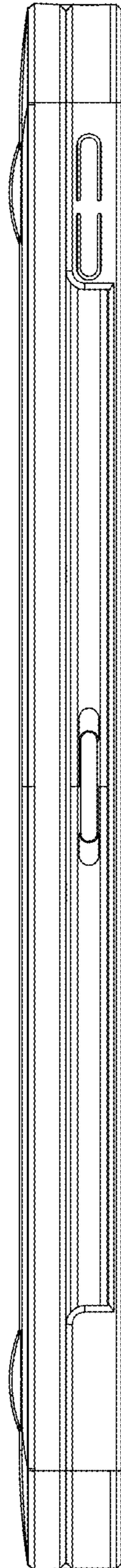


FIG. 4

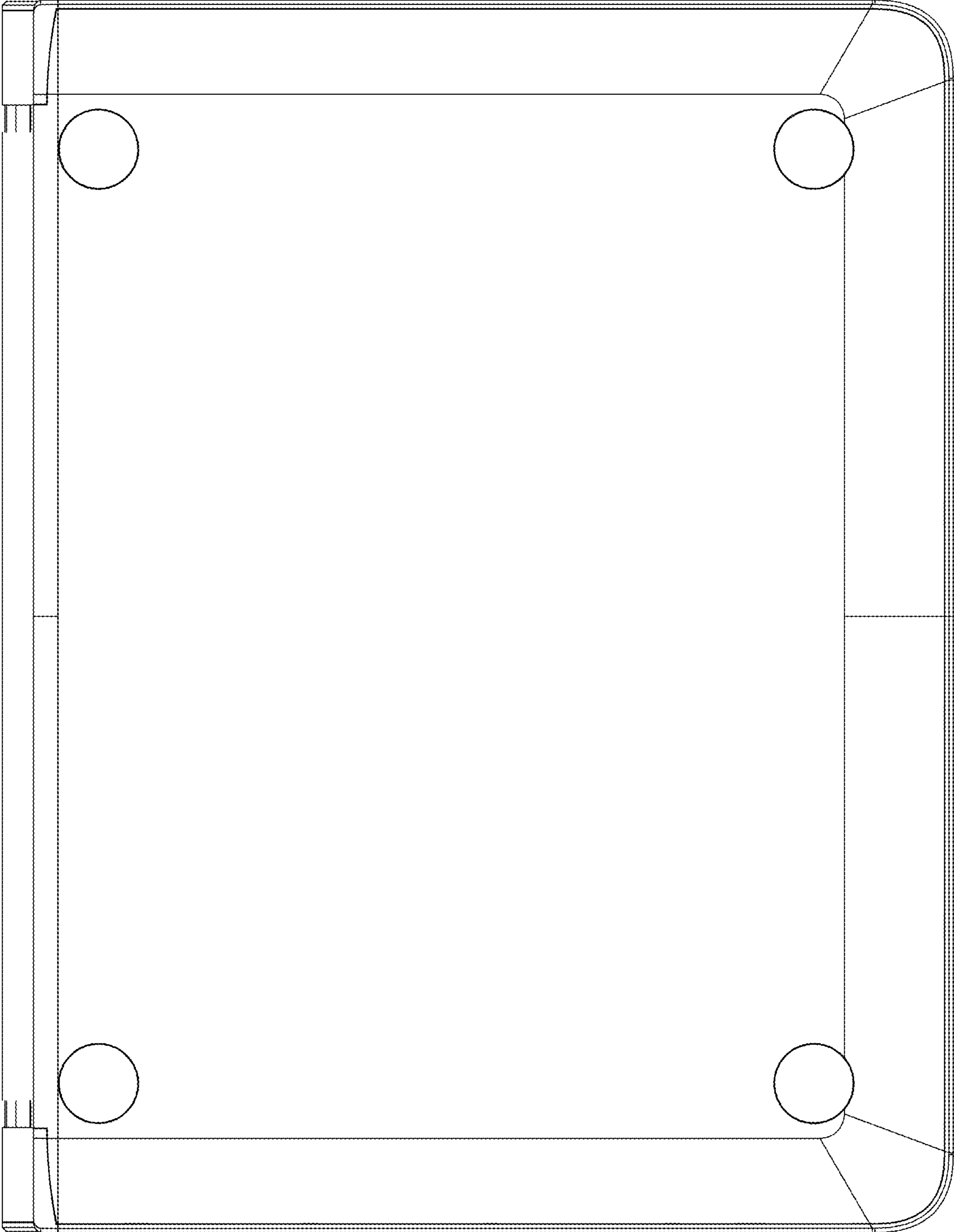


FIG. 5

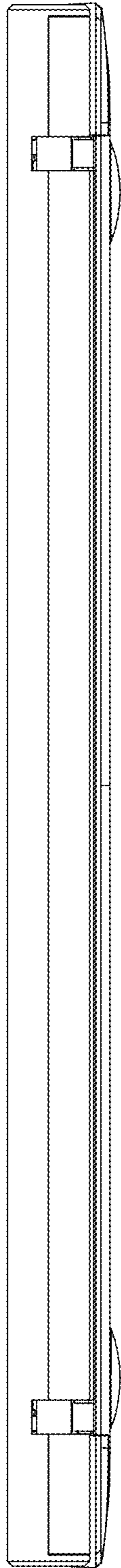


FIG. 6



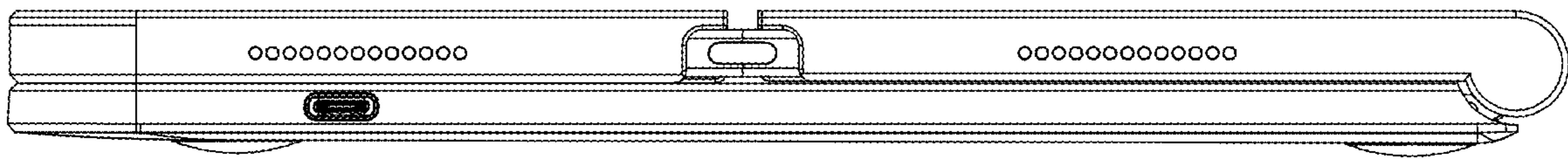


FIG. 7



FIG. 8

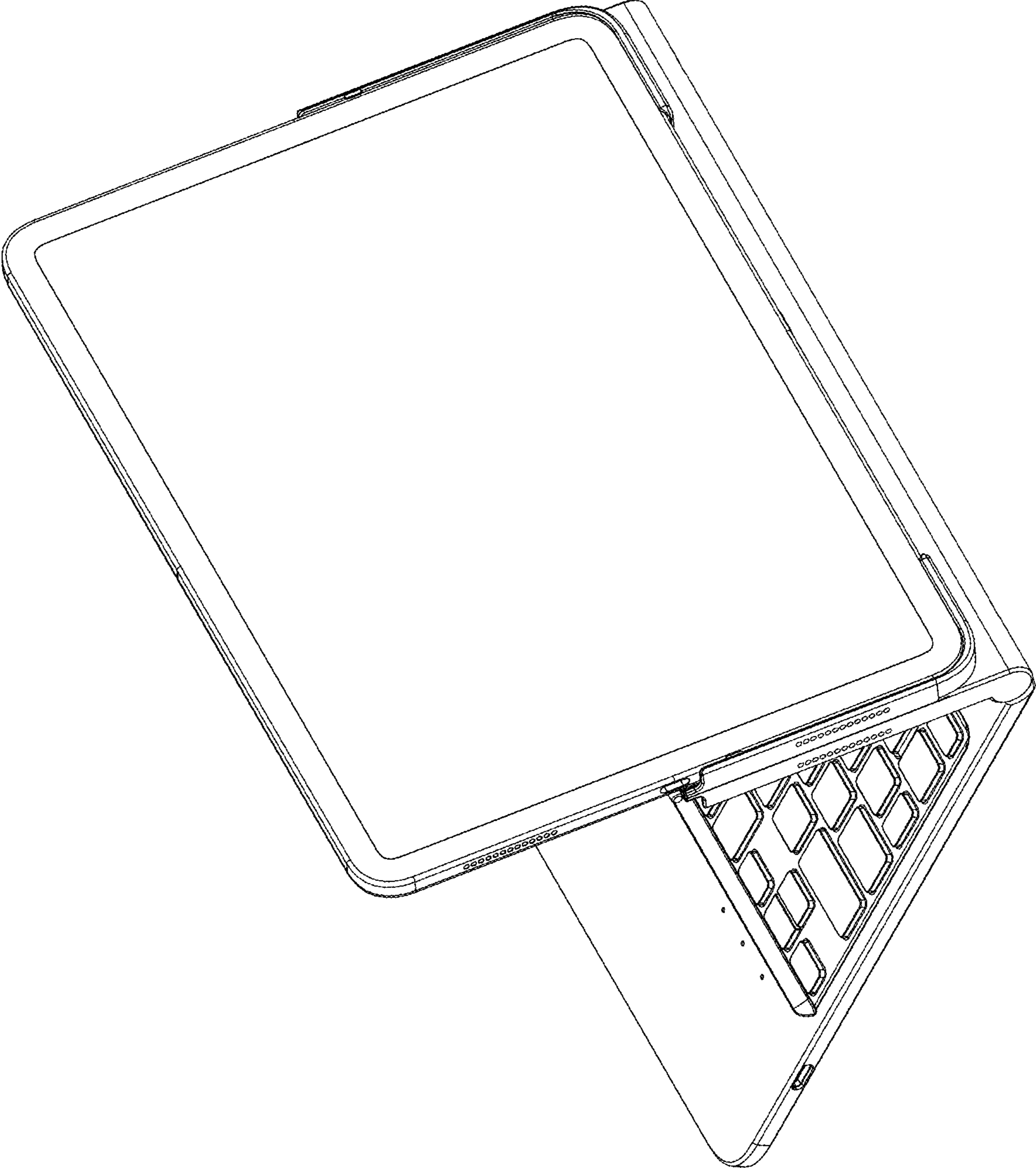


FIG. 9

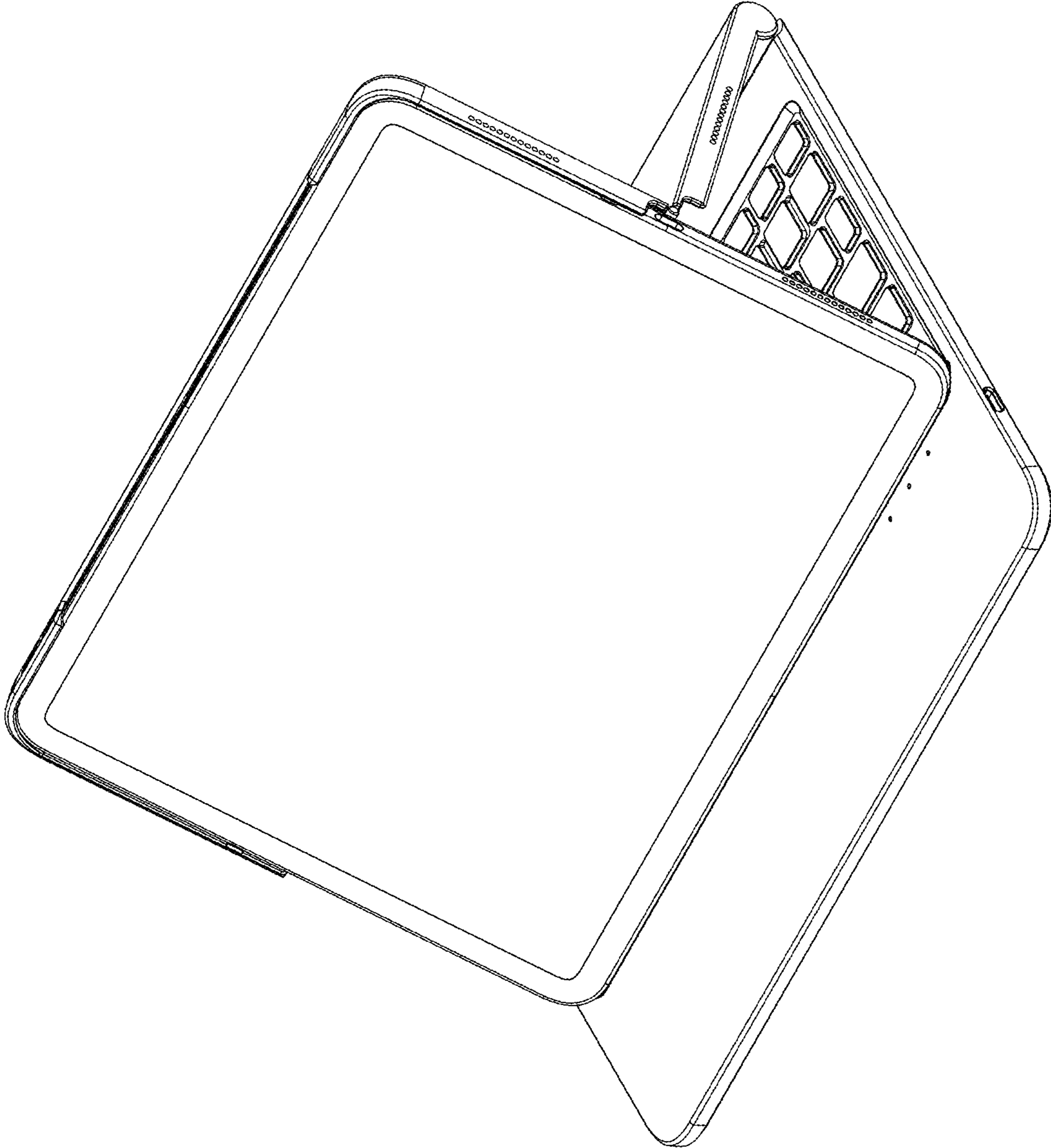


FIG. 10

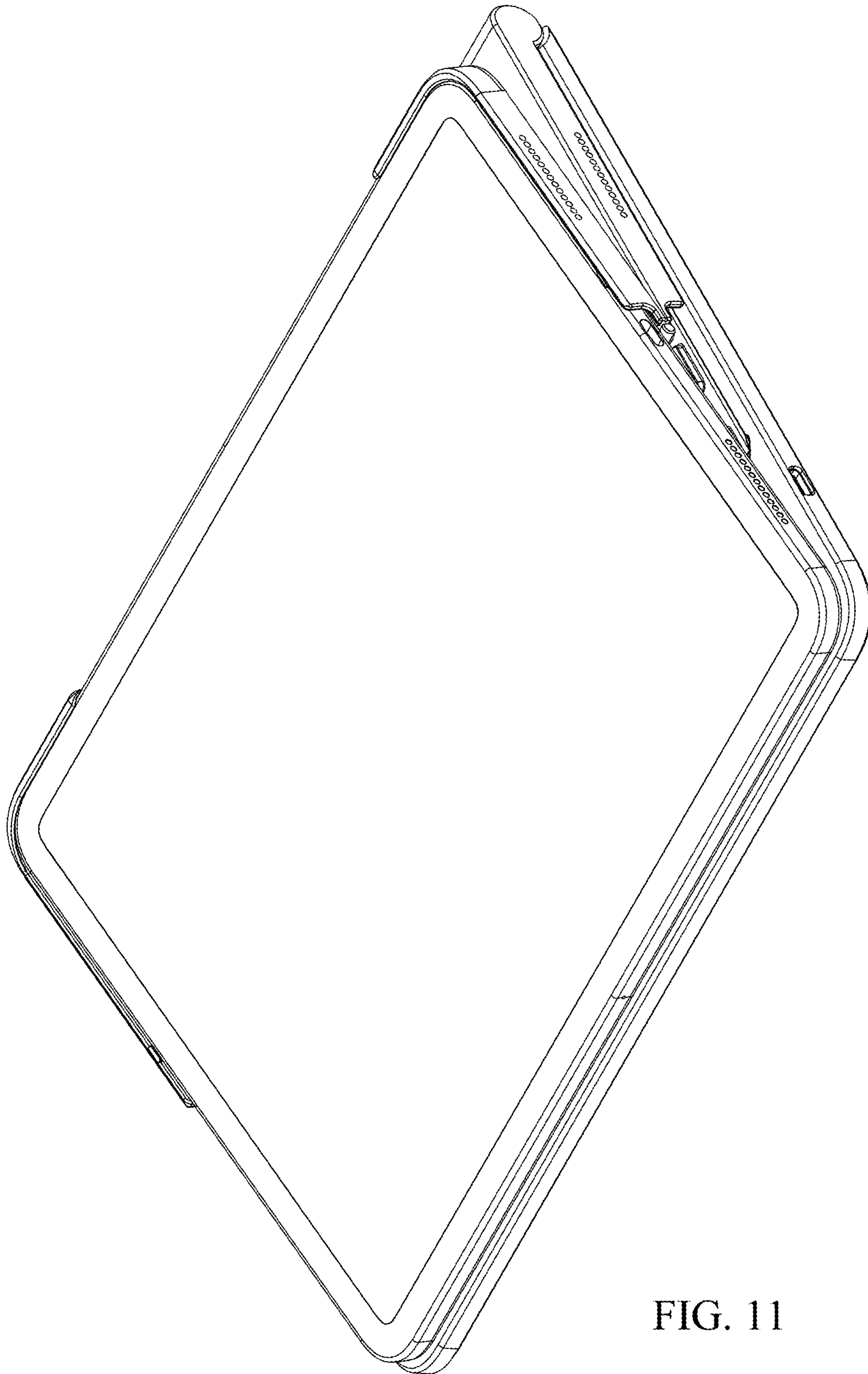


FIG. 11

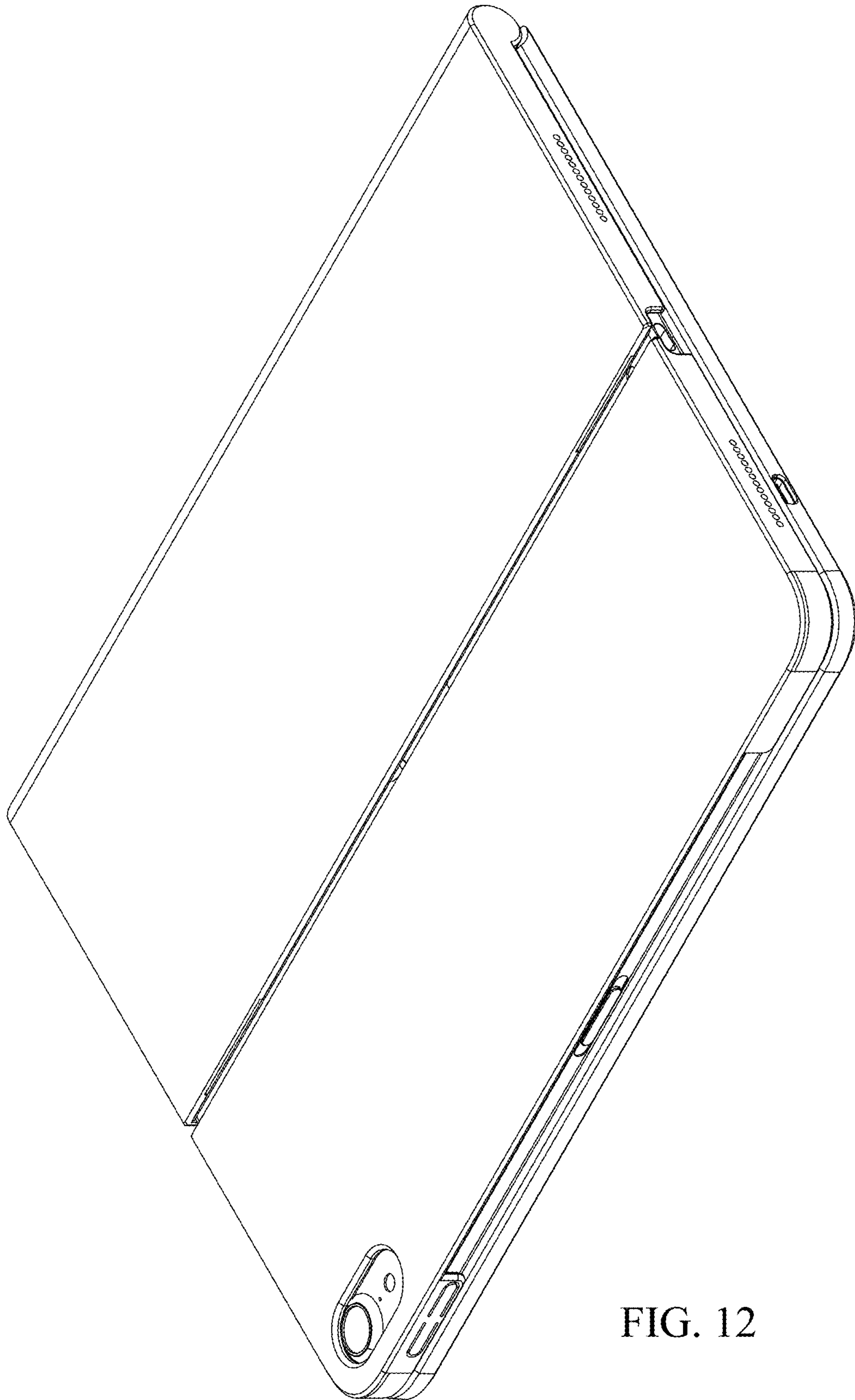


FIG. 12