



US00D958144S

(12) **United States Design Patent**
Cheng

(10) **Patent No.:** **US D958,144 S**

(45) **Date of Patent:** **** Jul. 19, 2022**

(54) **DOCKING STATION**

(71) Applicant: **Bizlink International Corporation,**
New Taipei (TW)

(72) Inventor: **Ya-Fang Cheng,** Taipei (TW)

(73) Assignee: **Bizlink International Corporation,**
New Taipei (TW)

(**) Term: **15 Years**

(21) Appl. No.: **29/769,474**

(22) Filed: **Feb. 5, 2021**

(51) **LOC (13) Cl.** **14-02**

(52) **U.S. Cl.**
USPC **D14/434**

(58) **Field of Classification Search**
USPC ... D14/434, 433, 435, 435.1, 356, 357, 358,
D14/440, 447, 432, 451, 452, 454, 300,
D14/301, 302, 314, 348, 353-355, 363,
D14/365, 385, 217, 240, 299, 496, 125,
D14/171, 251-253; D13/103, 107, 108,
D13/118, 119, 184, 110, 123, 133, 135,
D13/137.2, 139.2, 139.4, 146, 147;
D21/333

CPC G06F 1/16; G06F 1/1616; G06F 1/1626;
G06F 1/1632; G06F 1/1684; G06F
1/1688; G06F 1/266; G06F 13/00; G06F
13/12; G06F 13/14; G06F 13/20; G06F
13/382; G06F 13/4022; F16M 11/10;
F16M 11/20; H02J 57/025; H02J 7/0042;
H02J 7/00; H02J 7/0027; H02J 7/0044;
H02J 7/0045; H02J 7/355; H02J 7/025;
H04R 1/025; H04R 5/04; H01R 31/065;
H01M 10/44

See application file for complete search history.

(56) **References Cited**

U.S. PATENT DOCUMENTS

D275,752 S * 10/1984 Mahan D14/240
D297,007 S * 8/1988 Pushelberg D14/496

D301,331 S * 5/1989 Rhodin D13/107
D525,968 S * 8/2006 Peng D14/300
D532,786 S * 11/2006 Iseki D14/365
D577,721 S * 9/2008 O'Neil D14/358
D580,933 S * 11/2008 Ju D14/358
D587,267 S * 2/2009 Wang D14/356

(Continued)

OTHER PUBLICATIONS

Accell Thunderbolt (TM) 4 Docking Station Datasheet, (online) 2
pgs. Oct. 4, 2021. [Retrieved May 6, 2022] https://cdn.shopify.com/s/files/1/0396/6837/files/K160B-002G_datasheet_100421.pdf.*

(Continued)

Primary Examiner — Marie D. Fast Horse

(74) *Attorney, Agent, or Firm* — Alan D. Kamrath; Karin
L. Williams; Mayer & Williams PC

(57) **CLAIM**

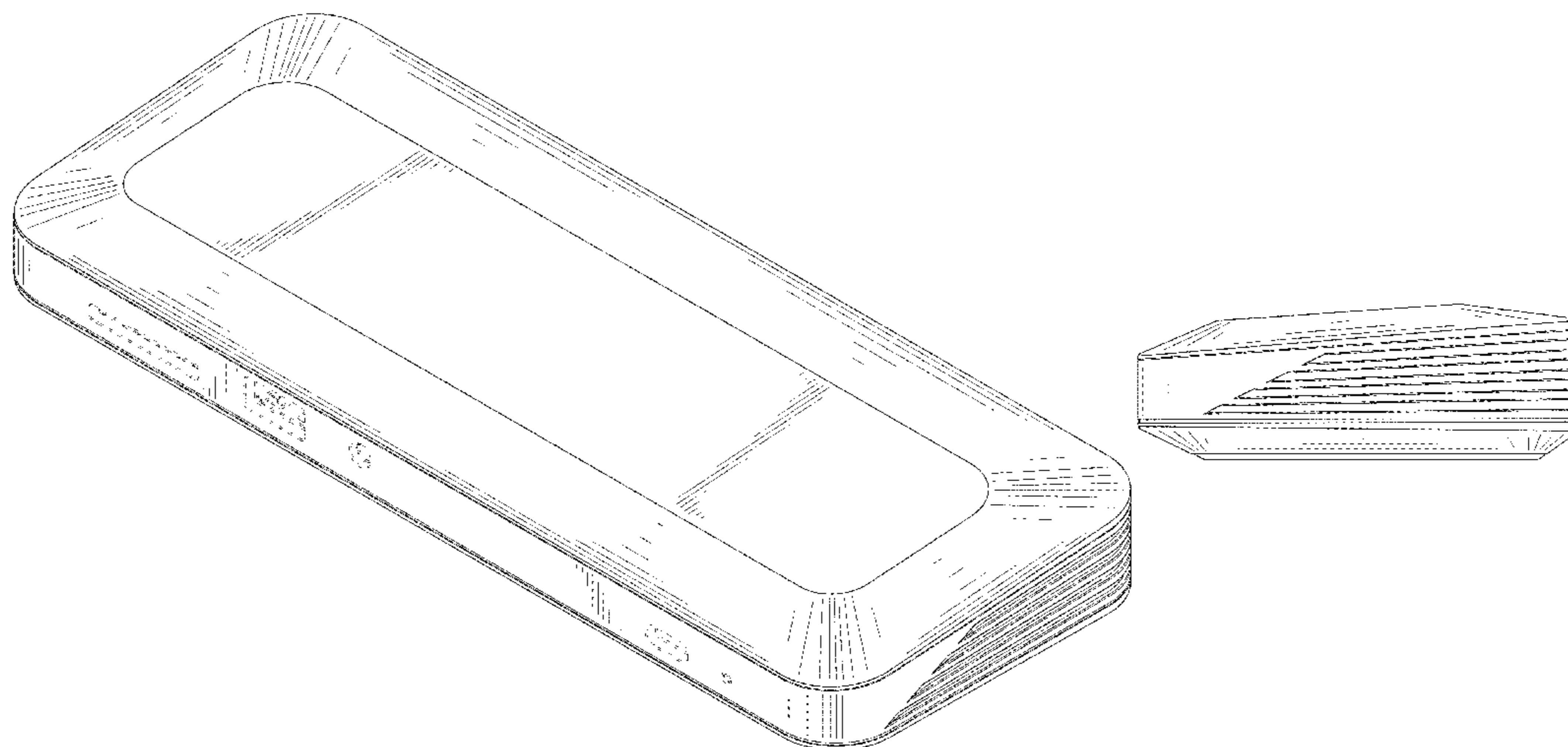
The ornamental design for a docking station, as shown and
described.

DESCRIPTION

FIG. 1 is a perspective view of a docking station showing my
new design;
FIG. 2 is another perspective view thereof;
FIG. 3 is a front elevation view thereof;
FIG. 4 is a rear elevation view thereof;
FIG. 5 is a left side elevation view thereof;
FIG. 6 is a right side elevation view thereof;
FIG. 7 is a top plan view thereof;
FIG. 8 is a bottom plan view thereof; and,
FIG. 9 is another perspective view thereof showing a panel
mounted on the docking station.

The broken line mounted panel seen in FIG. 9 depicts
environmental subject matter only and forms no part of the
claim; while all other broken lines in the drawings depict
portions of the docking station that form no part of the
claimed design.

1 Claim, 9 Drawing Sheets



(56)

References Cited

U.S. PATENT DOCUMENTS

D625,308 S * 10/2010 Chen D14/356
 D647,908 S * 11/2011 Chen D14/434
 D656,980 S * 4/2012 Liao D14/217
 D686,614 S * 7/2013 Tan D14/240
 D689,858 S * 9/2013 Lo D14/357
 D695,685 S * 12/2013 Fukano D13/146
 D729,183 S * 5/2015 Zou D14/125
 D729,239 S * 5/2015 Fukuoka D14/348
 D732,010 S * 6/2015 Hsiau D14/240
 D733,080 S * 6/2015 Kuh D14/125
 D740,809 S * 10/2015 Kwon D14/365
 D762,168 S * 7/2016 Sandoval D13/107
 D789,358 S * 6/2017 Yang D14/356
 D793,958 S * 8/2017 Rautiainen D13/108
 D842,829 S * 3/2019 Wang D14/125
 D842,859 S * 3/2019 Loh D14/433
 D843,316 S * 3/2019 Zhou D13/108

10,291,762 B2 * 5/2019 Andersen G06F 1/1632
 D853,959 S * 7/2019 Miller D13/108
 D856,326 S * 8/2019 Shim D14/363
 D879,780 S * 3/2020 Liao D14/434
 D883,288 S * 5/2020 Zhan D14/433
 D897,343 S * 9/2020 Lin D14/434
 D916,705 S * 4/2021 Liao D14/433
 D917,472 S * 4/2021 Kwon D14/356
 D934,261 S * 10/2021 Zhang D14/434
 D935,464 S * 11/2021 Wang D14/434
 D938,418 S * 12/2021 Zhang D14/348

OTHER PUBLICATIONS

Accell Thunderbolt (TM) 4 Docking Station User Guide, (online)
 7 pgs. Sep. 22, 2021. [Retrieved May 6, 2022] https://cdn.shopify.com/s/files/1/0396/6837/files/K160B-002G_userManual_0922_outline.pdf.*

* cited by examiner

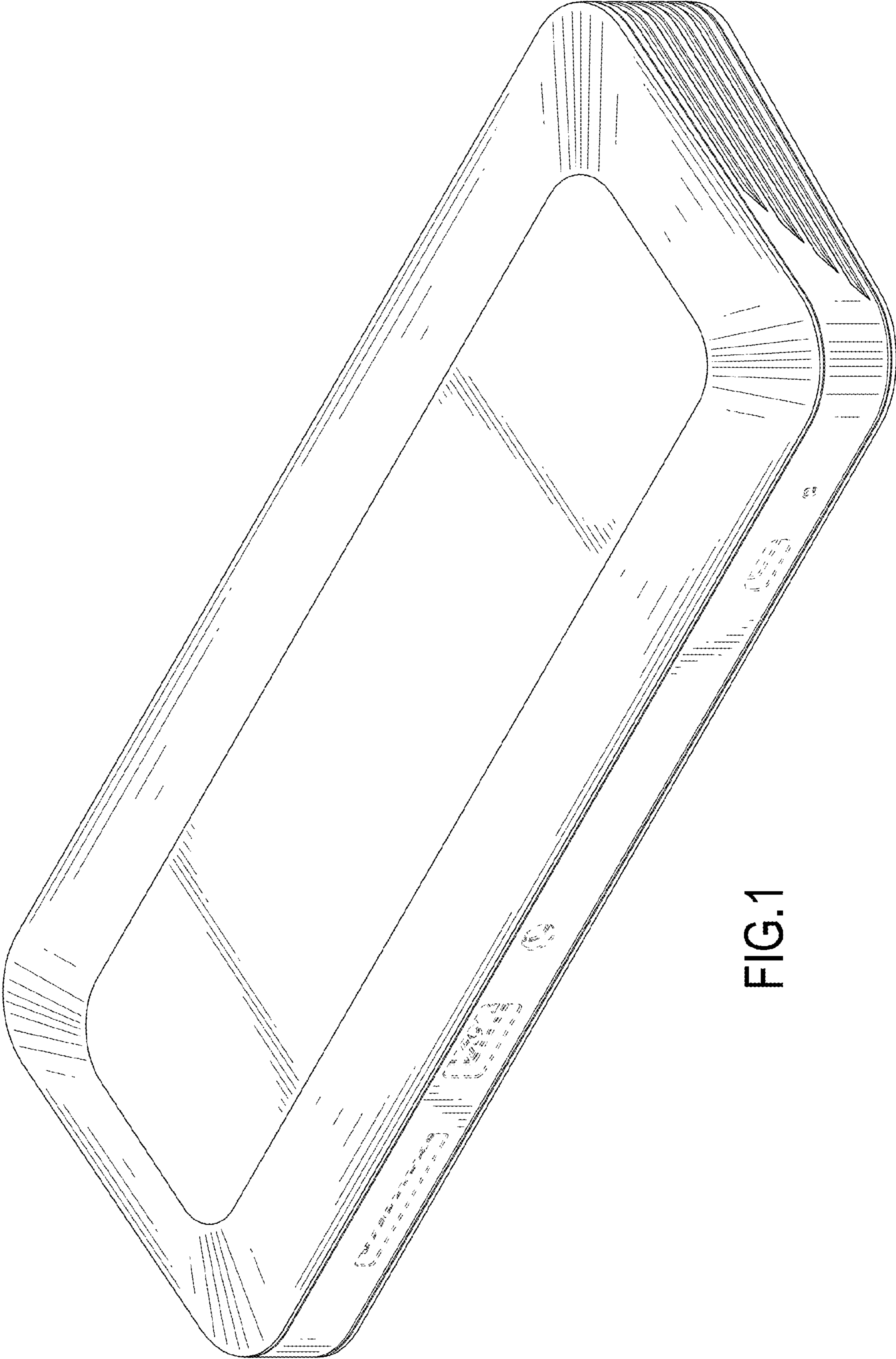


FIG.1

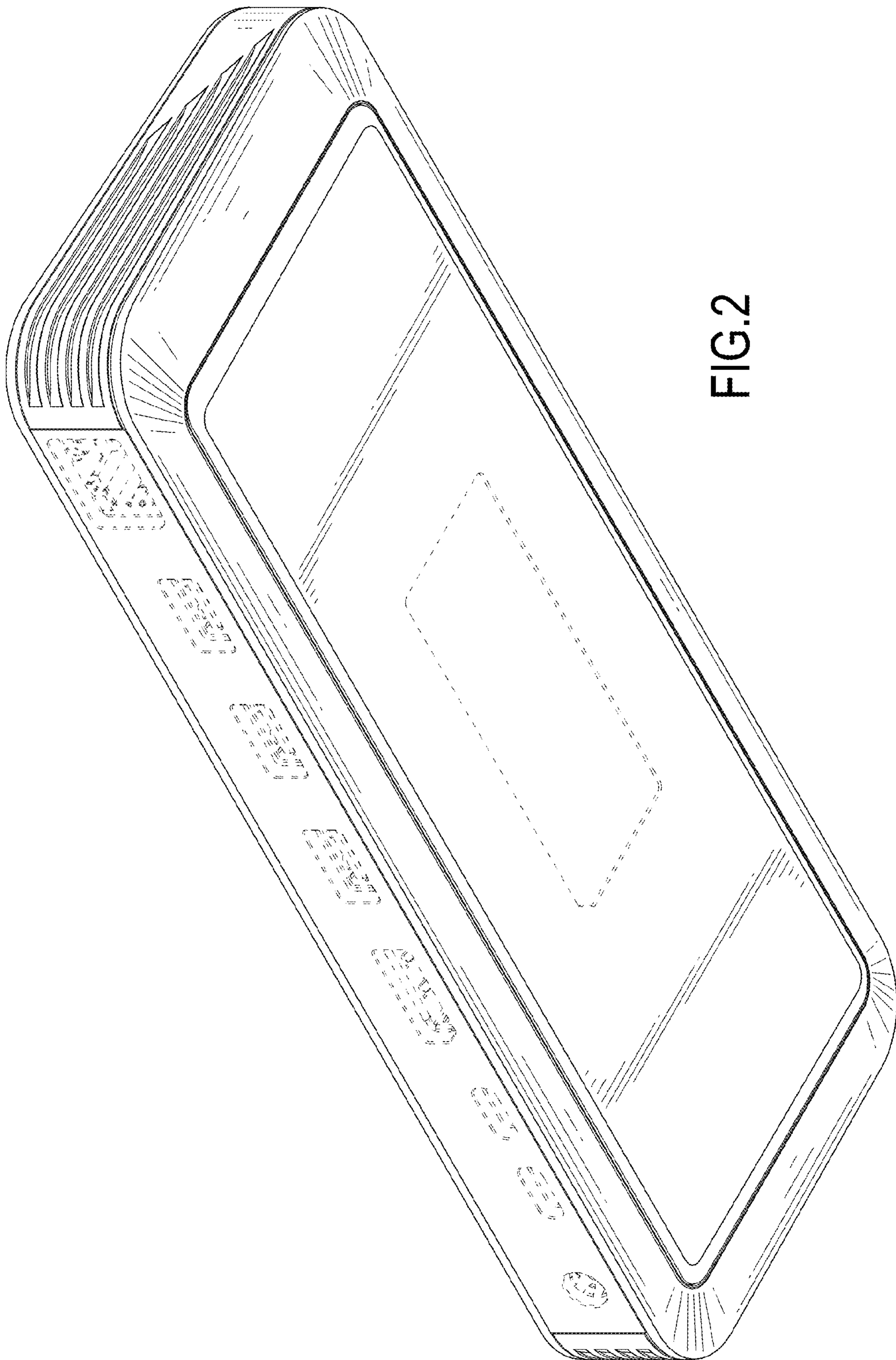


FIG.2

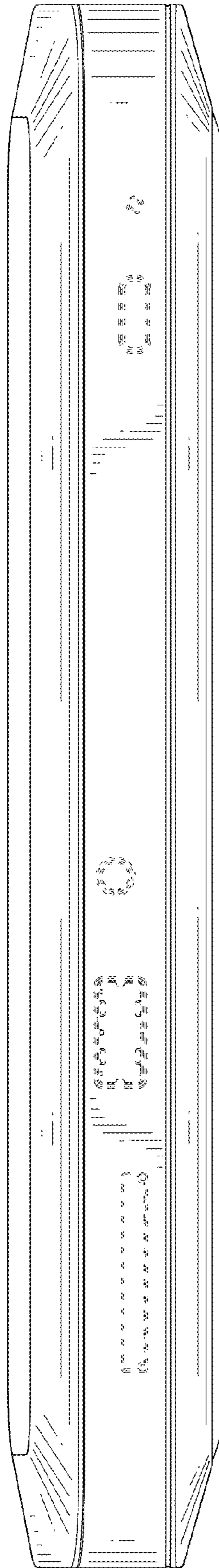


FIG. 3

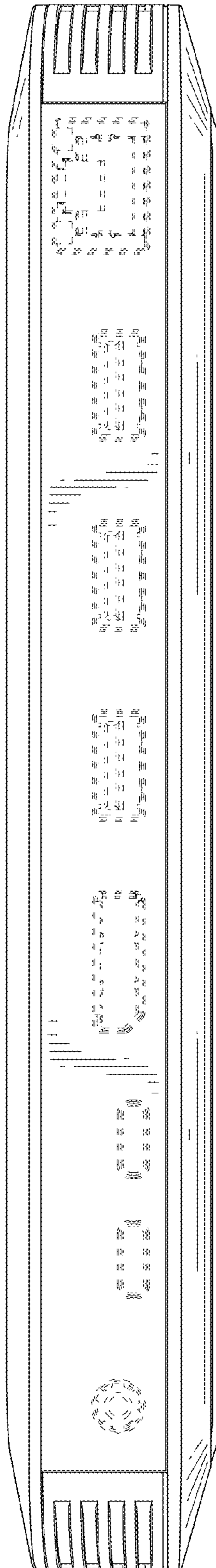


FIG. 4

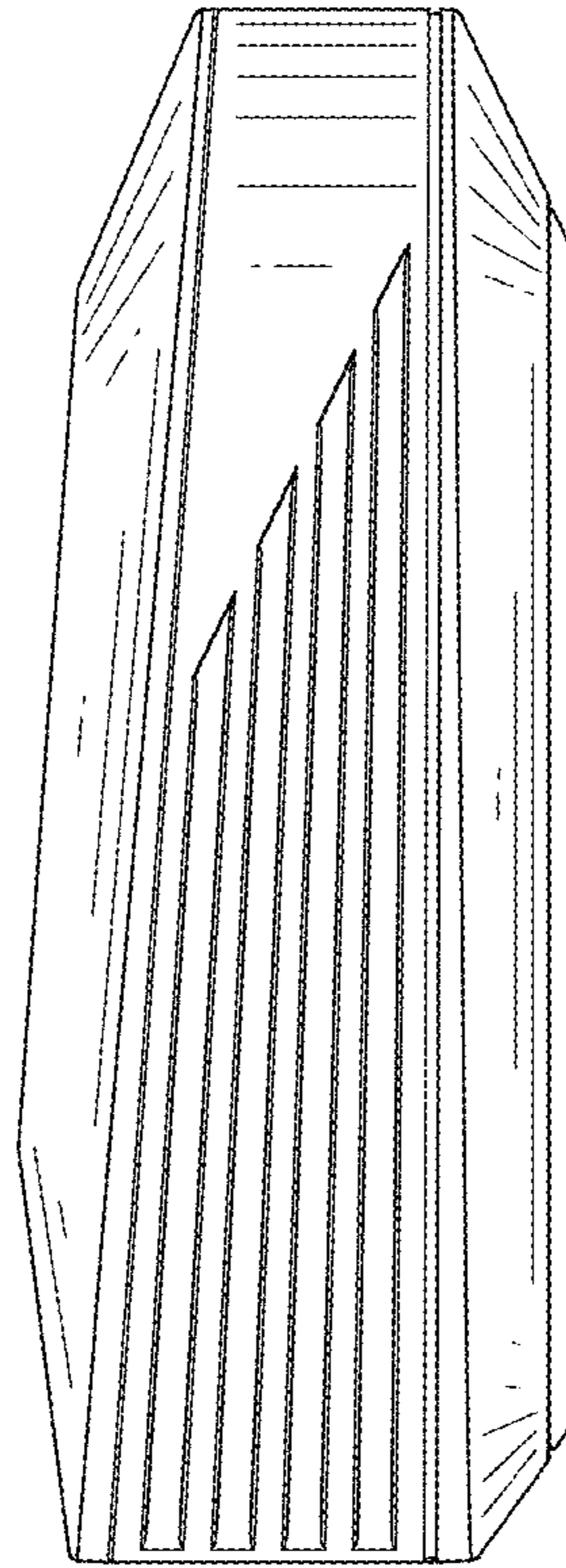


FIG.5

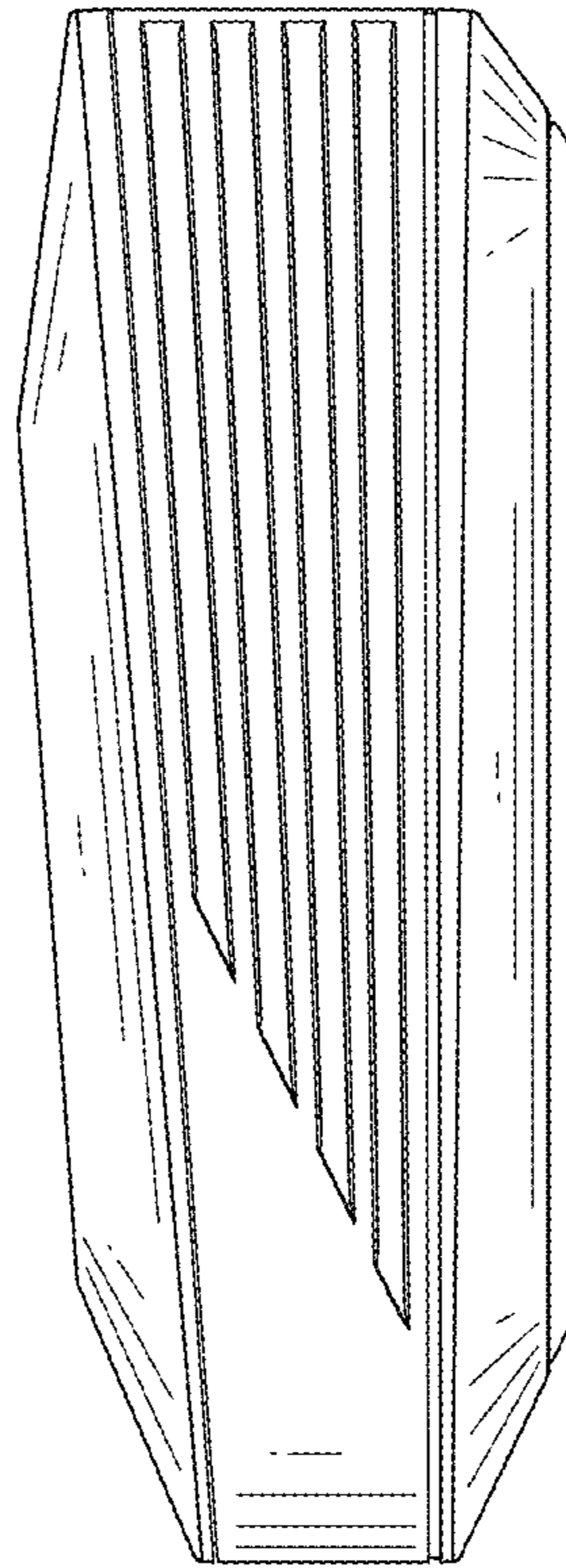


FIG.6

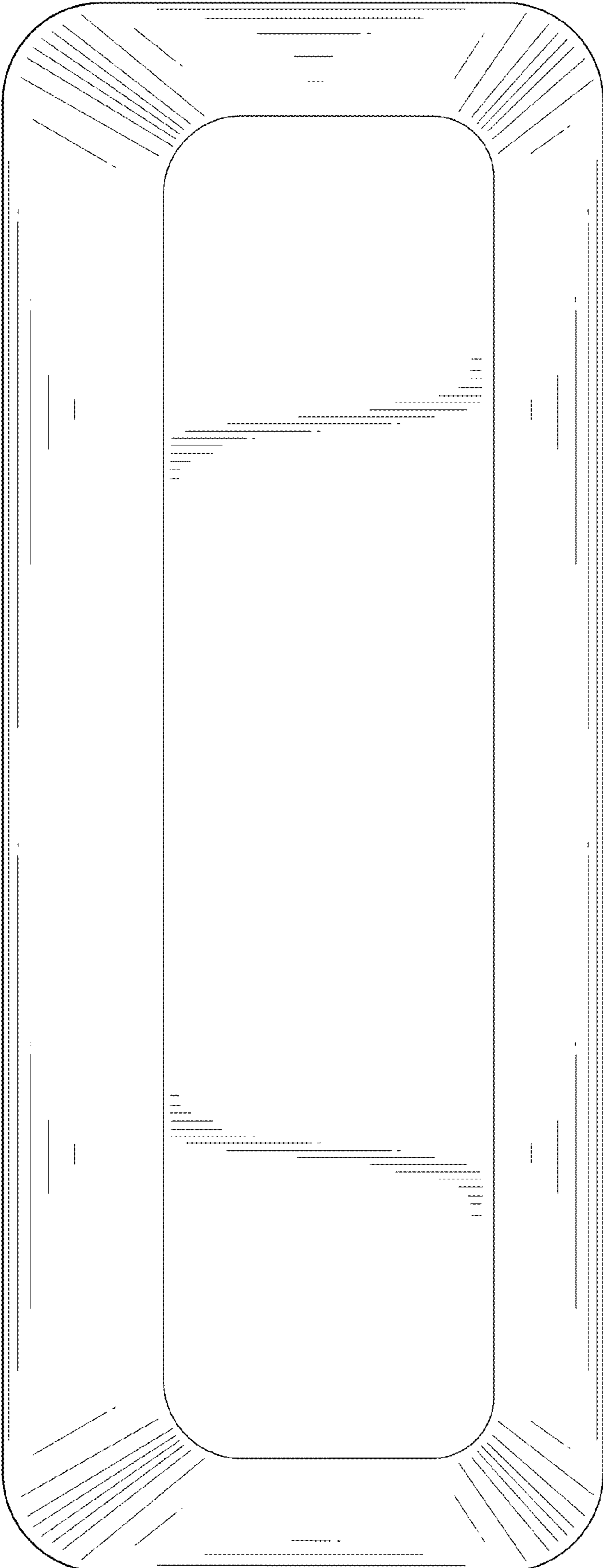


FIG.7

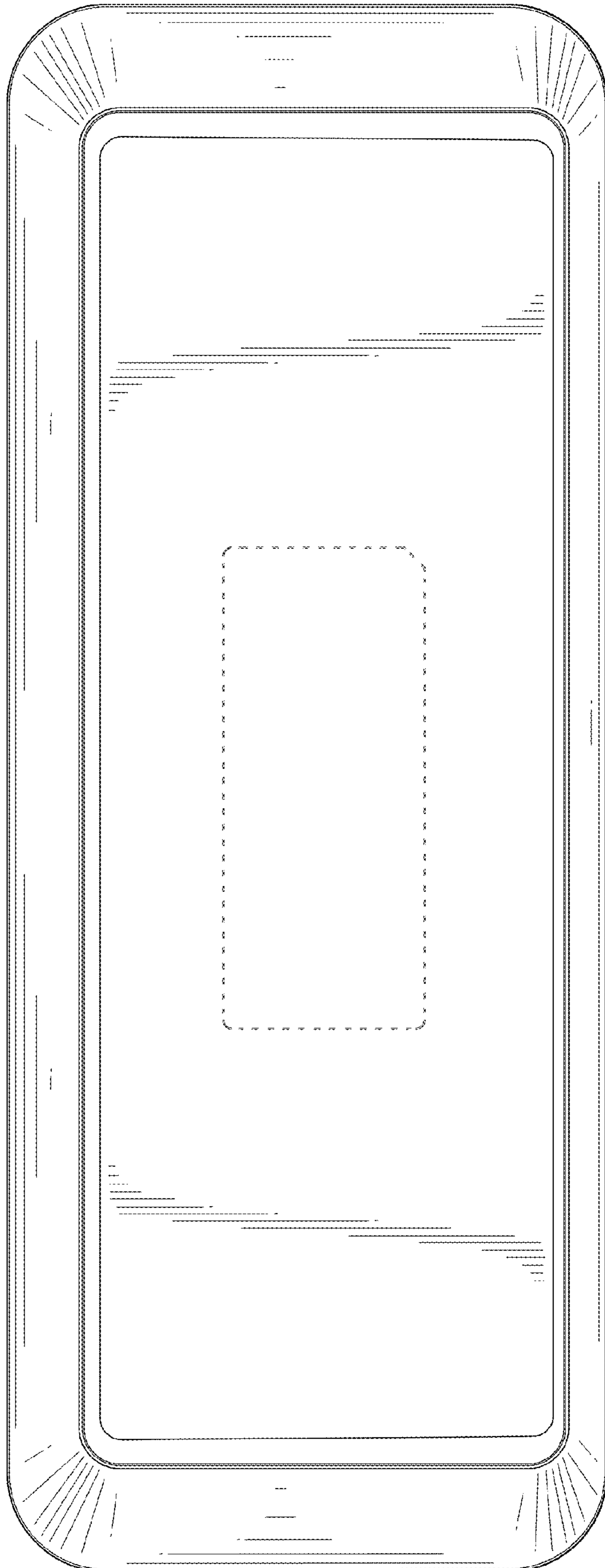


FIG.8

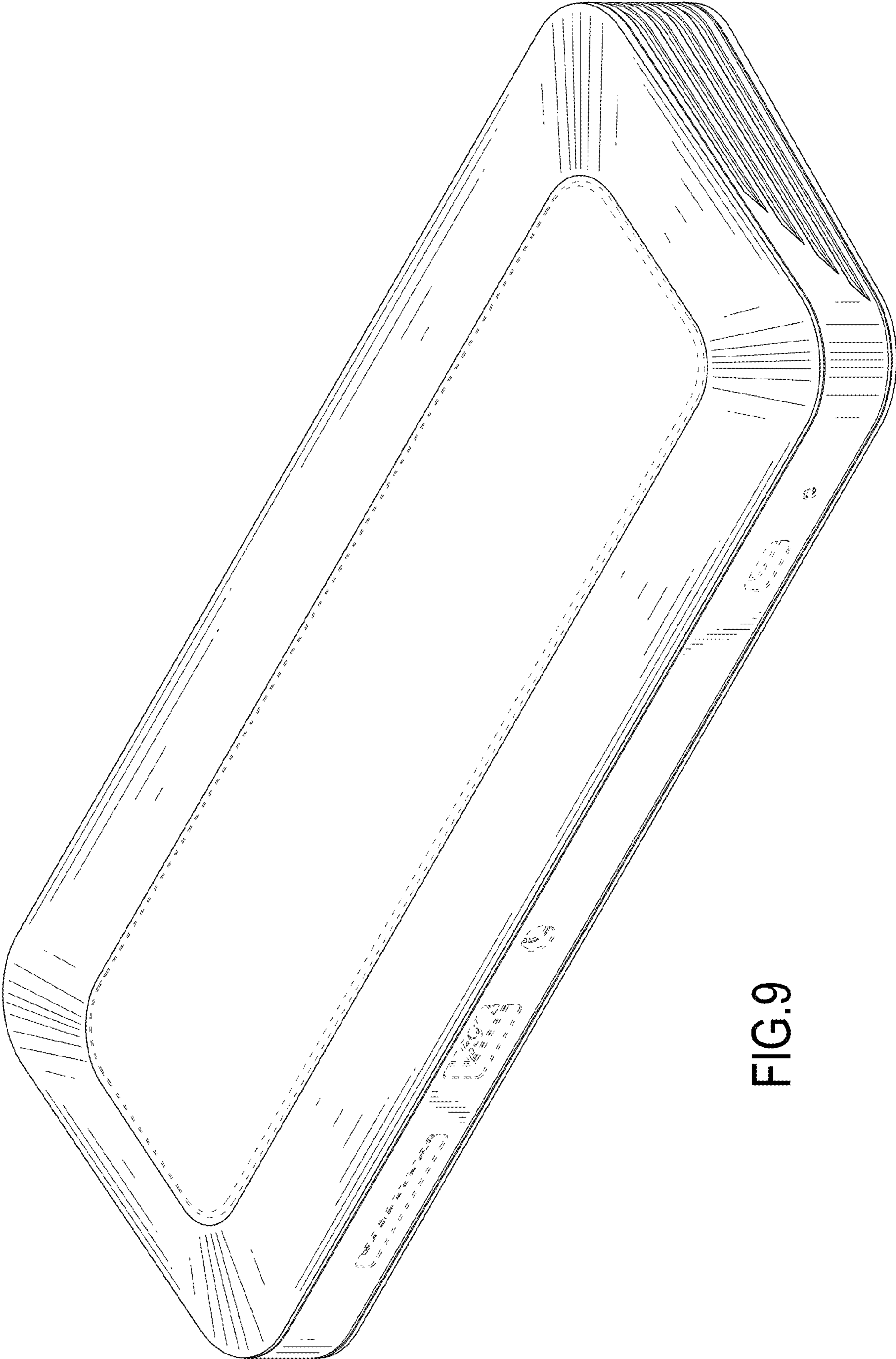


FIG. 9