



US00D958143S

(12) **United States Design Patent**
Hashimoto et al.

(10) **Patent No.:** **US D958,143 S**
(45) **Date of Patent:** **** Jul. 19, 2022**

- (54) **ELECTRONIC PEN**
- (71) Applicant: **Wacom Co., Ltd.**, Kazo (JP)
- (72) Inventors: **Yoshiyuki Hashimoto**, Wako (JP);
Takenori Kaneda, Shimotsuke (JP);
Shinya Aoki, Kuki (JP)
- (73) Assignee: **Wacom Co., Ltd.**, Kazo (JP)
- (**) Term: **15 Years**
- (21) Appl. No.: **29/805,169**
- (22) Filed: **Aug. 25, 2021**

Related U.S. Application Data

- (63) Continuation of application No. 29/731,635, filed on Apr. 16, 2020, now Pat. No. Des. 933,660.
- (51) **LOC (13) Cl.** **14-02**
- (52) **U.S. Cl.**
USPC **D14/411**
- (58) **Field of Classification Search**
USPC D14/372, 496, 432, 371, 125, 126, 129,
D14/299, 411; D16/300-342; 351/158,
351/153, 144; 345/7-9, 905; 455/344;
348/115, 53, 121, 739
CPC G02B 27/017; G06F 3/016; G06F 3/033;
G06F 3/0317; G06F 3/03545; G06F
3/041; G06K 9/222
See application file for complete search history.

(56) **References Cited**

U.S. PATENT DOCUMENTS

- D310,684 S 9/1990 Itoh
- D770,456 S 11/2016 Akana et al.

- D786,253 S 5/2017 Akana et al.
- D796,511 S * 9/2017 Akana D14/411
- D796,512 S * 9/2017 Akana D14/411
- D826,231 S * 8/2018 Akana D14/411
- D860,205 S * 9/2019 Akana D14/411
- D886,822 S 6/2020 Mitchell
- D933,659 S * 10/2021 Hashimoto D14/411
- D934,250 S * 10/2021 Hashimoto D14/411
- D940,143 S * 1/2022 Hashimoto D14/411
- D945,420 S * 3/2022 Hashimoto D14/411

* cited by examiner

Primary Examiner — Austin Murphy

(74) *Attorney, Agent, or Firm* — Christensen O'Connor Johnson Kindness PLLC

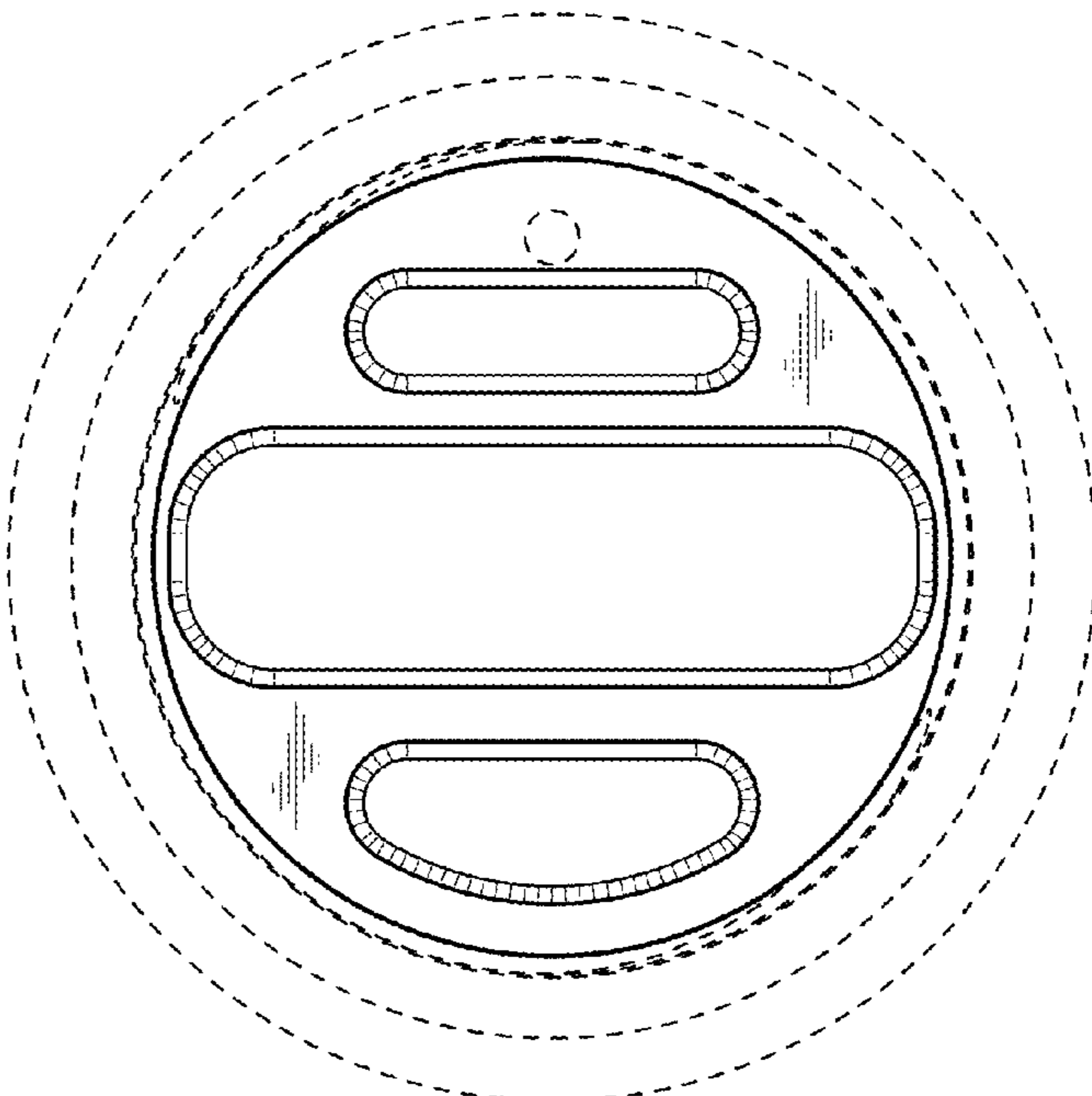
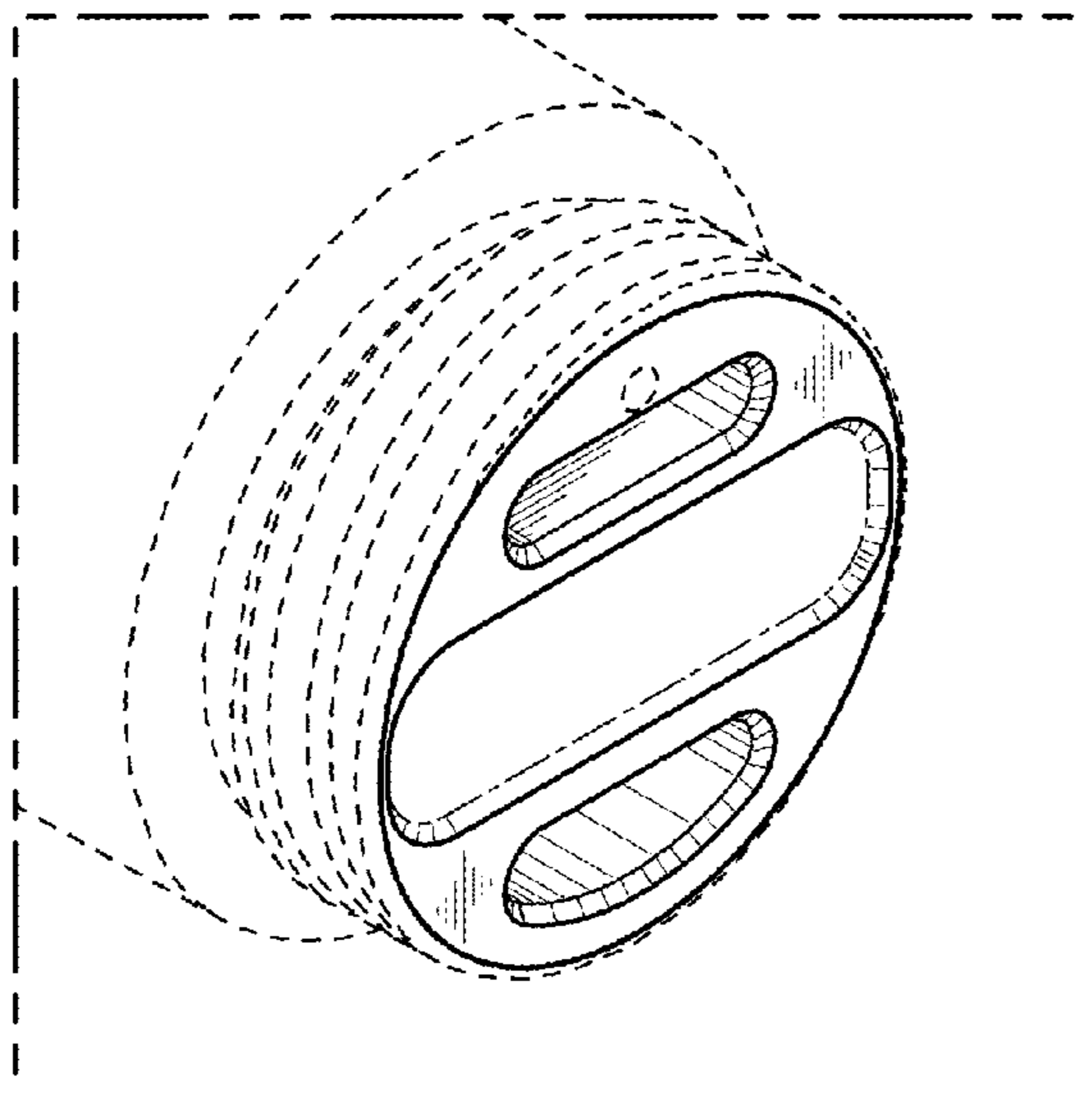
(57) **CLAIM**

The ornamental design for an electric pen, as shown and described.

DESCRIPTION

FIG. 1 is a right-side elevational view of an electronic pen according to our new design;
 FIG. 2 is a top-right-rear perspective view thereof;
 FIG. 3 is an enlarged partial top-right-rear perspective view thereof;
 FIG. 4 is a bottom-left-rear perspective view thereof;
 FIG. 5 is an enlarged partial bottom-left-rear perspective view thereof; and,
 FIG. 6 is a rear elevational view thereof.
 The dashed broken lines in the drawings show portions of the electronic pen that form no part of the claimed design.

1 Claim, 4 Drawing Sheets



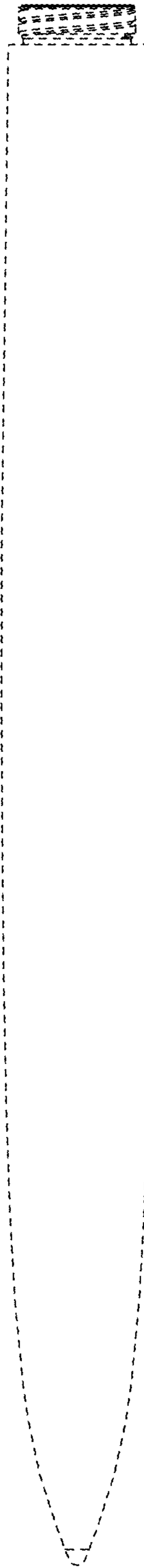


Fig. 1.

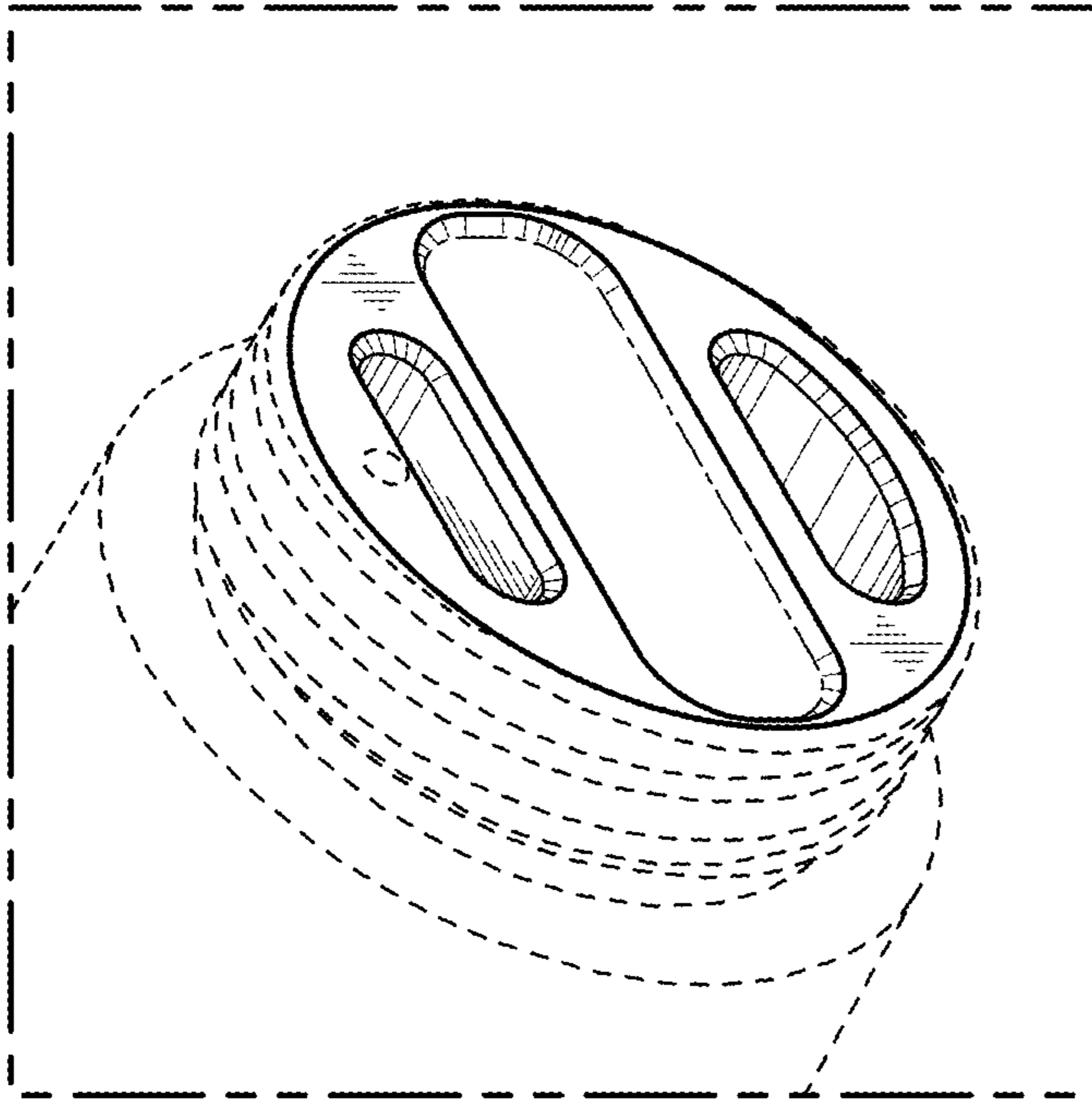


Fig. 3.

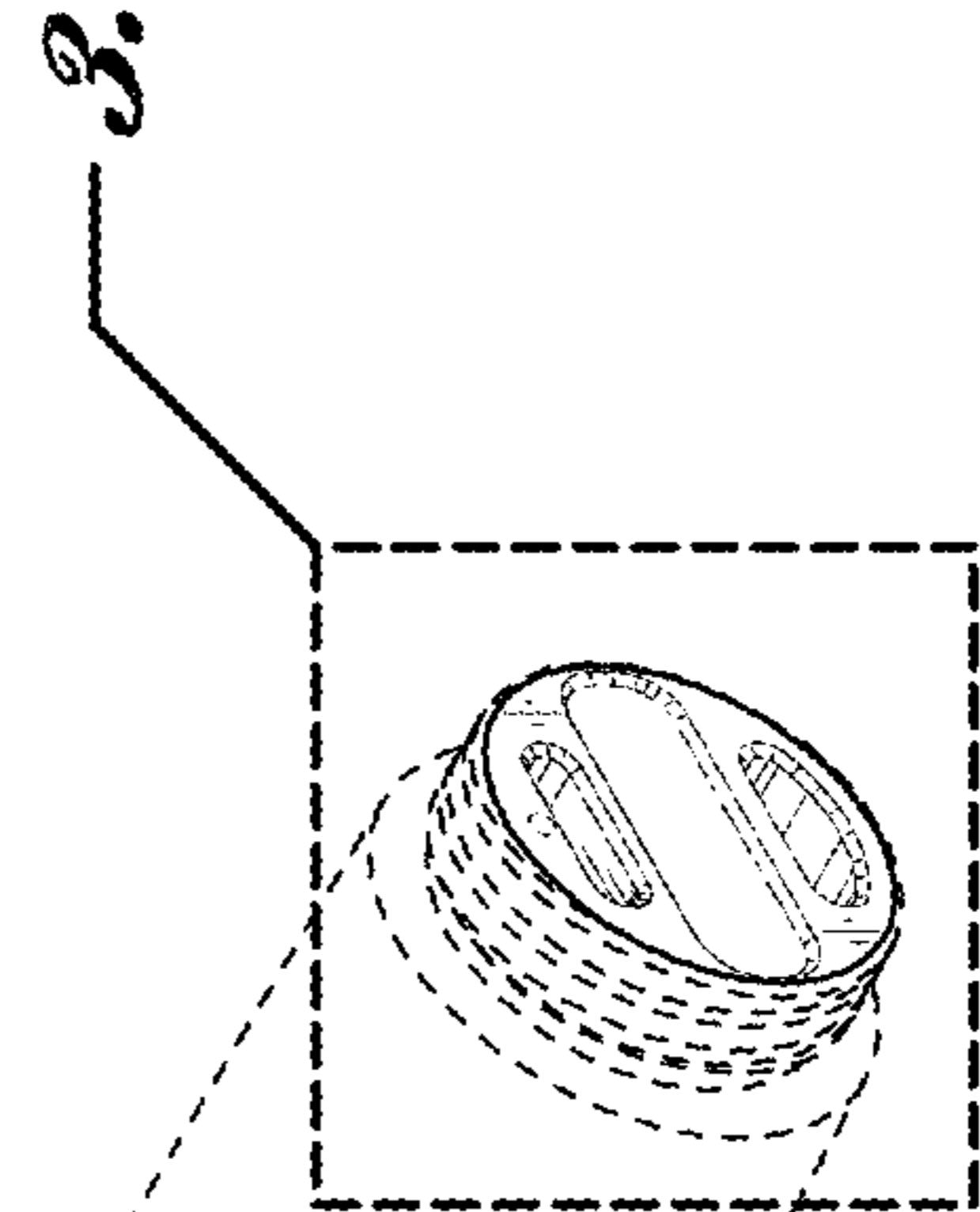
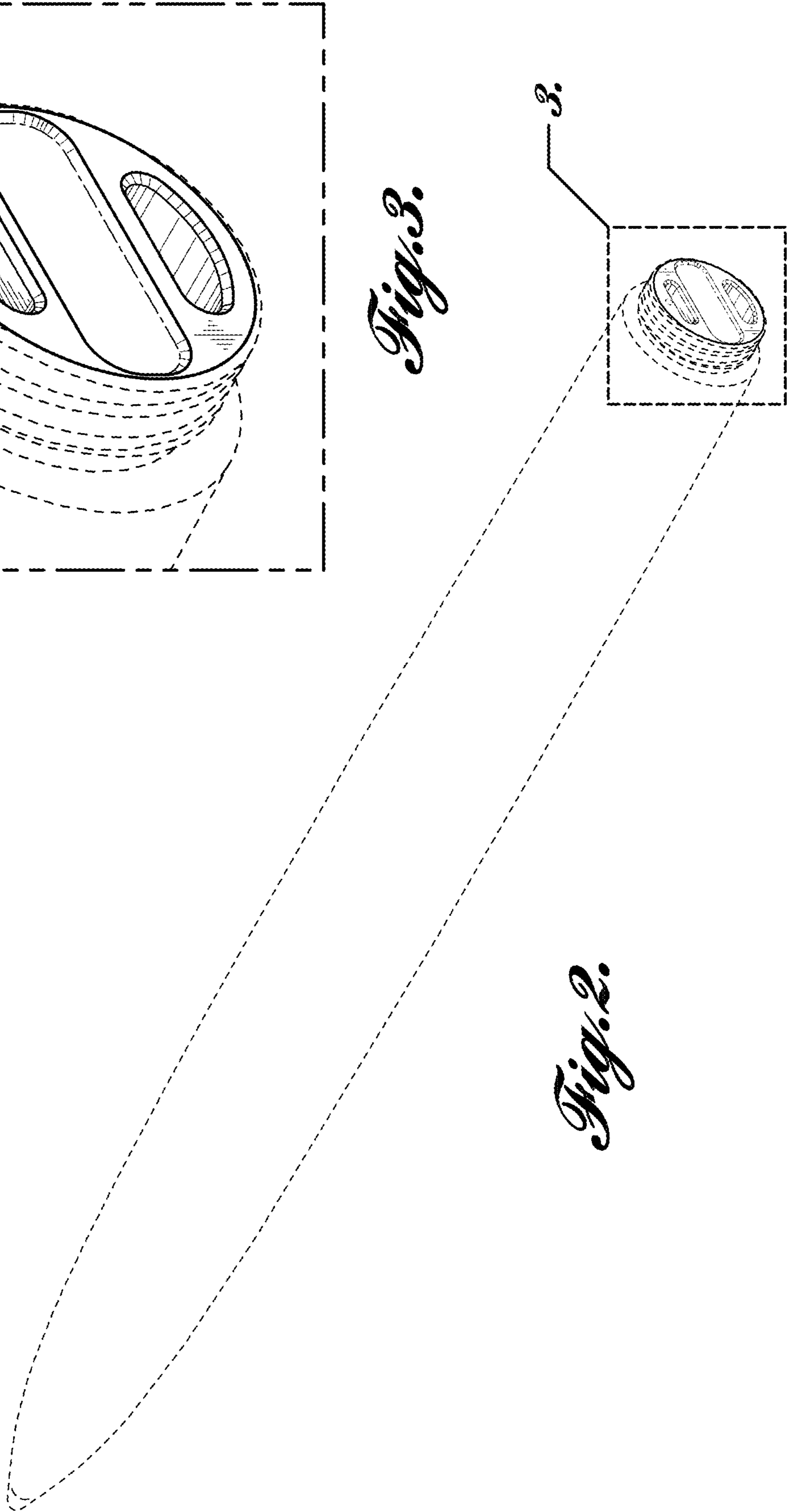


Fig. 2.



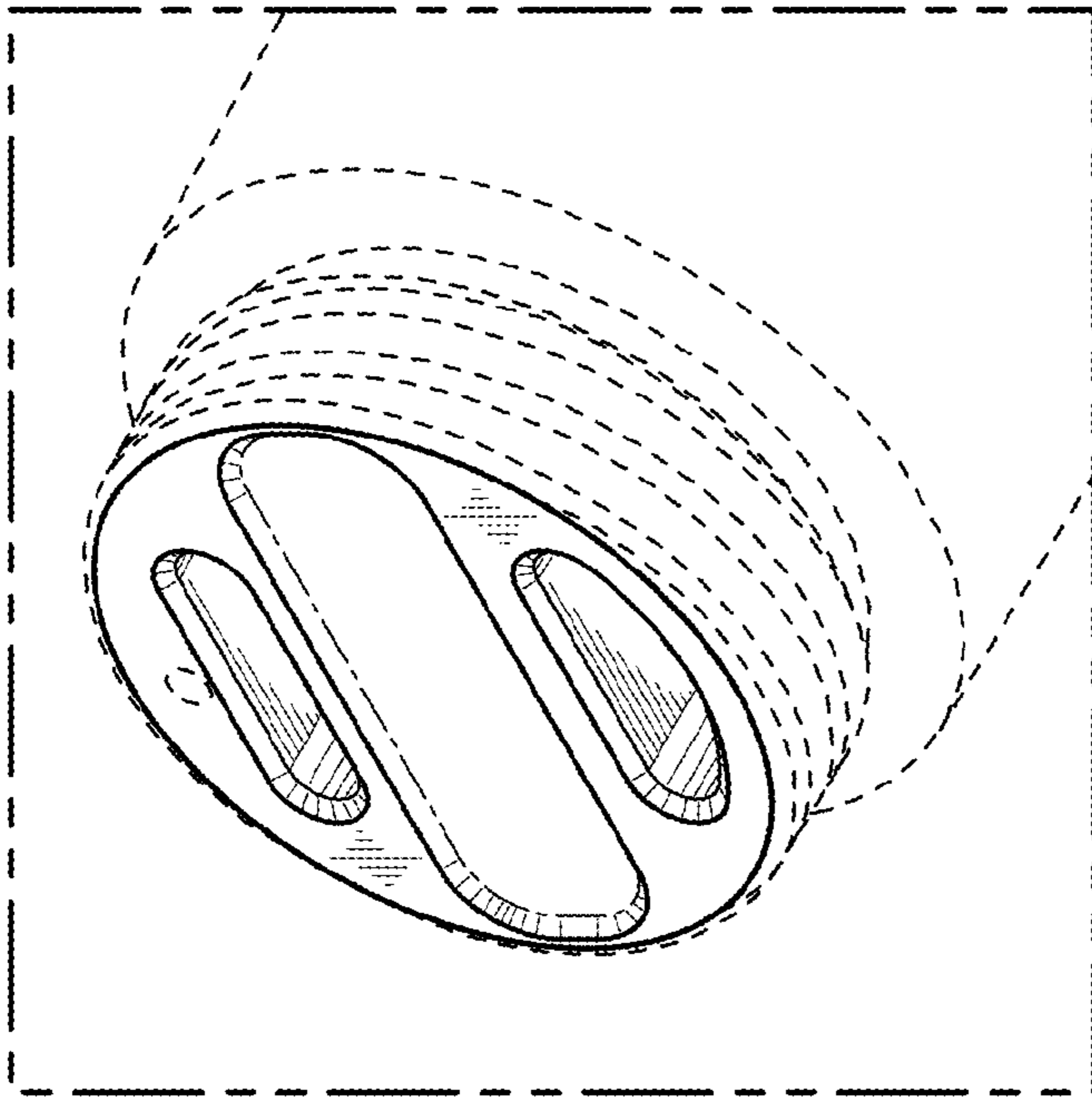


Fig. 5.

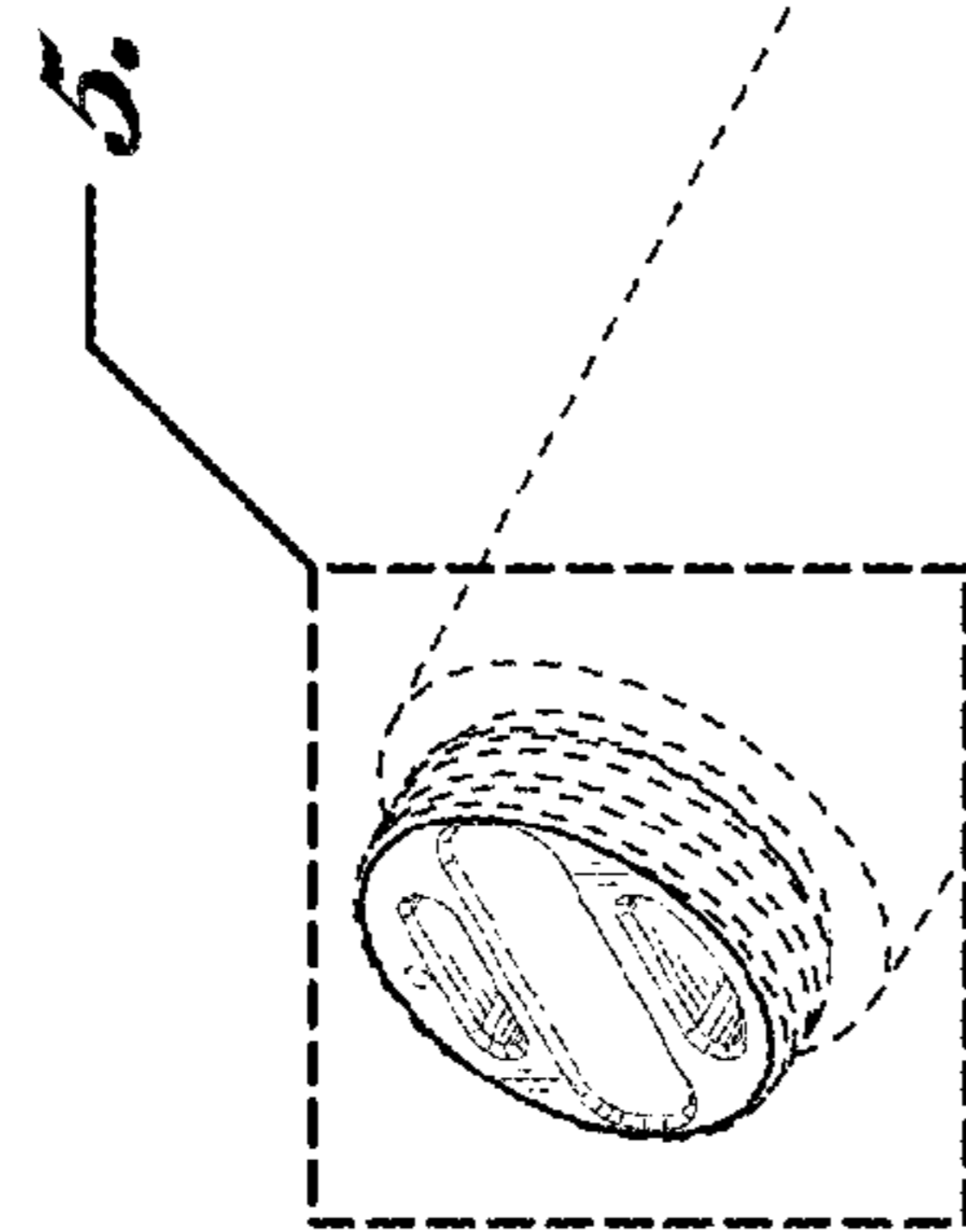


Fig. 4.

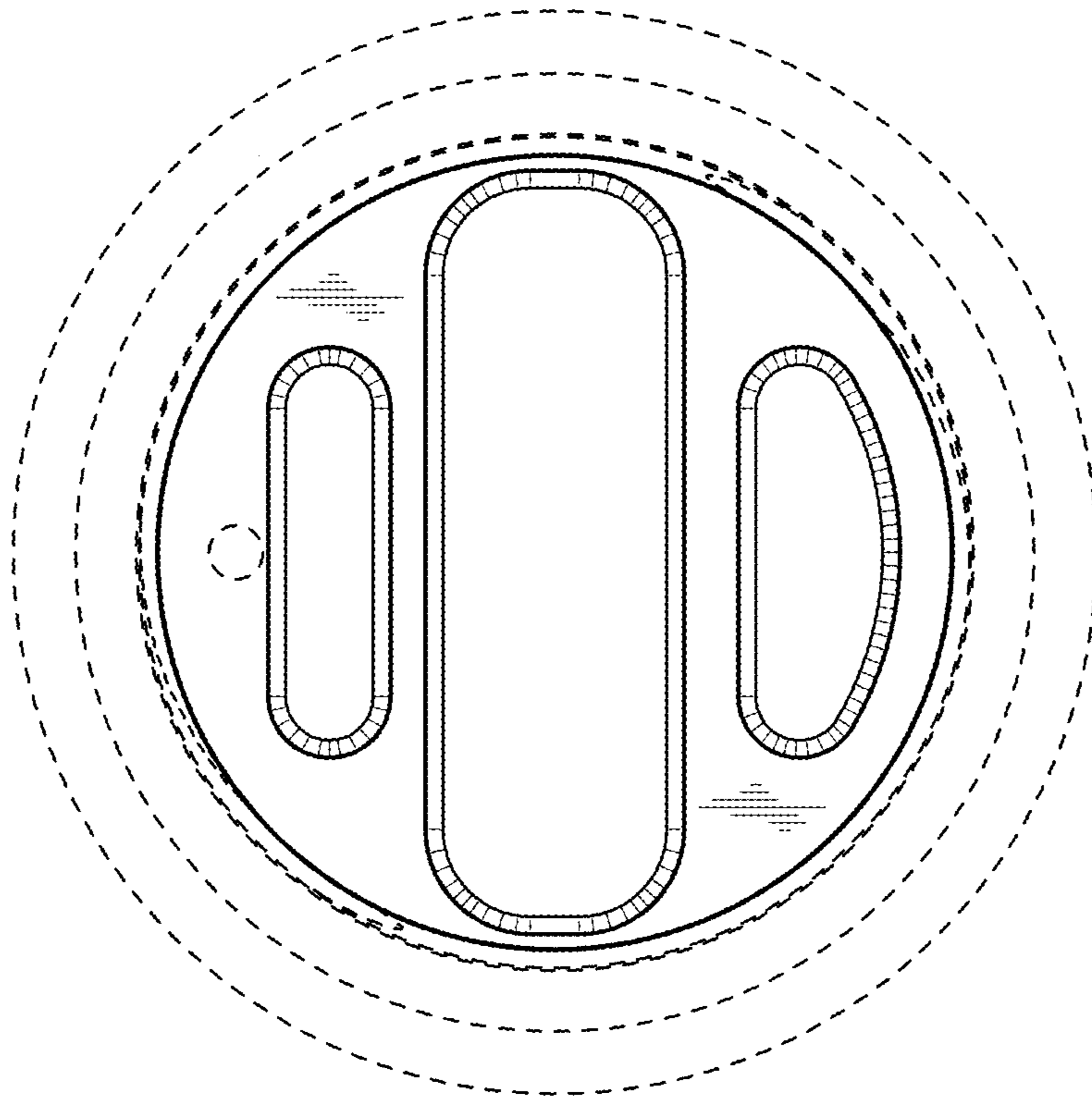


Fig. 6.