



US00D958142S

(12) **United States Design Patent** (10) **Patent No.:** **US D958,142 S**
Leborys (45) **Date of Patent:** **** Jul. 19, 2022**

- (54) **DOUBLE SCREEN APPARATUS**
- (71) Applicant: **Ryan Wilson Leborys**, Baltimore, MD (US)
- (72) Inventor: **Ryan Wilson Leborys**, Baltimore, MD (US)
- (**) Term: **15 Years**
- (21) Appl. No.: **29/747,649**
- (22) Filed: **Aug. 24, 2020**

Related U.S. Application Data

- (63) Continuation-in-part of application No. 16/100,015, filed on Aug. 9, 2018, now Pat. No. 10,789,583.
- (51) **LOC (13) Cl.** **14-02**
- (52) **U.S. Cl.**
USPC **D14/373**; D14/450
- (58) **Field of Classification Search**
USPC D14/305, 306, 307, 315, 316, 322, 334, D14/335, 336, 339, 340, 356, 371, 372, D14/373, 374, 375, 376, 377, 378, 379, D14/380, 381, 382, 432, 448, 449, 450, D14/451, 452, 125, 126, 127, 129, 132, D14/133, 217, 239; D20/10, 19, 21, 22, D20/27, 41, 99; D21/324, 329, 333
CPC G06F 1/16; G06F 1/1601; G06F 1/1603; G06F 1/1605; G06F 1/1607; G06F 1/1611; G06F 1/1616; G06F 1/1618; G06F 1/1622; G06F 1/1626; G06F 1/1641; G06F 1/1643; G06F 1/1647; G06F 1/1649; G06F 1/1654; G06F 1/1656; G06F 1/181; G06F 1/1684; G06F 1/1686; G06F 1/1692; H05K 5/02; H05K 5/03; H05K 5/0217; H05K 5/0243; H05K 5/0286; H04N 5/64

See application file for complete search history.

- (56) **References Cited**
U.S. PATENT DOCUMENTS
D528,111 S * 9/2006 Jackson, Jr. D14/371
D634,722 S * 3/2011 Kim D14/126
D729,799 S * 5/2015 Jung D14/374
(Continued)

- OTHER PUBLICATIONS**
HP Elite Display Backlit Monitor. HP, amazon.com (online) 14 pages. Posted Nov. 6, 2019. [Retrieved Mar. 14, 2022] https://www.amazon.com/dp/B081411HCD/ref=cm_sw_em_r_mt_dp_Y4T61J963X27YT21WD7H (Year: 2019).*
(Continued)

Primary Examiner — Kathleen L Jones
Assistant Examiner — Cole Sanders Holman

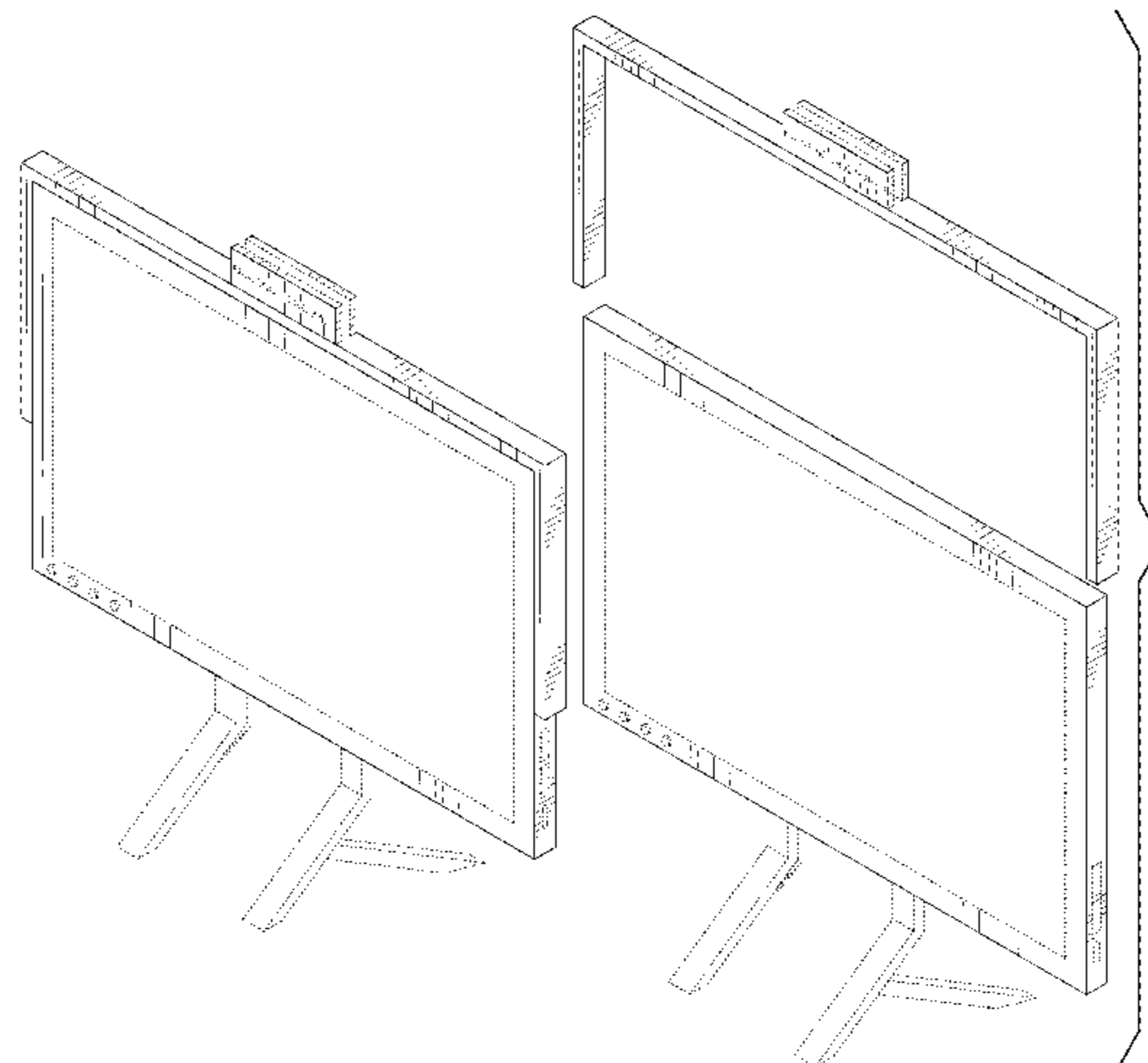
- (57) **CLAIM**
The ornamental design for a double screen apparatus, as shown and described.

DESCRIPTION

FIG. 1 is a top-front-left perspective view of a double screen apparatus showing my new design;
FIG. 2 is a bottom-rear-right perspective view thereof;
FIG. 3 is a top-front-left exploded perspective view thereof;
FIG. 4 is a bottom-rear-right exploded perspective view thereof;
FIG. 5 is a front elevated view thereof;
FIG. 6 is a rear elevated view thereof;
FIG. 7 is a top plan view thereof;
FIG. 8 is a bottom plan view thereof;
FIG. 9 is a right elevated view thereof; and,
FIG. 10 is a left elevated view thereof.

The broken lines in the figures depict portions of the double screen apparatus that form no part of the claimed design and the broken lines showing the stand in FIGS. 1-10 are included for the purpose of showing environmental structure and form no part of the claimed design.

1 Claim, 10 Drawing Sheets



(56)

References Cited

U.S. PATENT DOCUMENTS

D745,418 S * 12/2015 Indio da Costa D10/26
D757,727 S * 5/2016 Ozolins D14/374
D797,736 S * 9/2017 Chu D14/374
D817,329 S * 5/2018 Chu D14/374
D871,395 S * 12/2019 Yang D14/336
D887,409 S * 6/2020 Chu D14/376
D938,950 S * 12/2021 Yoon D14/336
2007/0063966 A1* 3/2007 Chien G06F 1/1601
345/111
2012/0105734 A1* 5/2012 Johnson H04N 5/64
348/739

OTHER PUBLICATIONS

Li Chenggang, CN Design No. 305939676, published at Orbit, publication date Jul. 24, 2020. Site visited Mar. 15, 2022. Available from internet. (Year: 2020).*

* cited by examiner

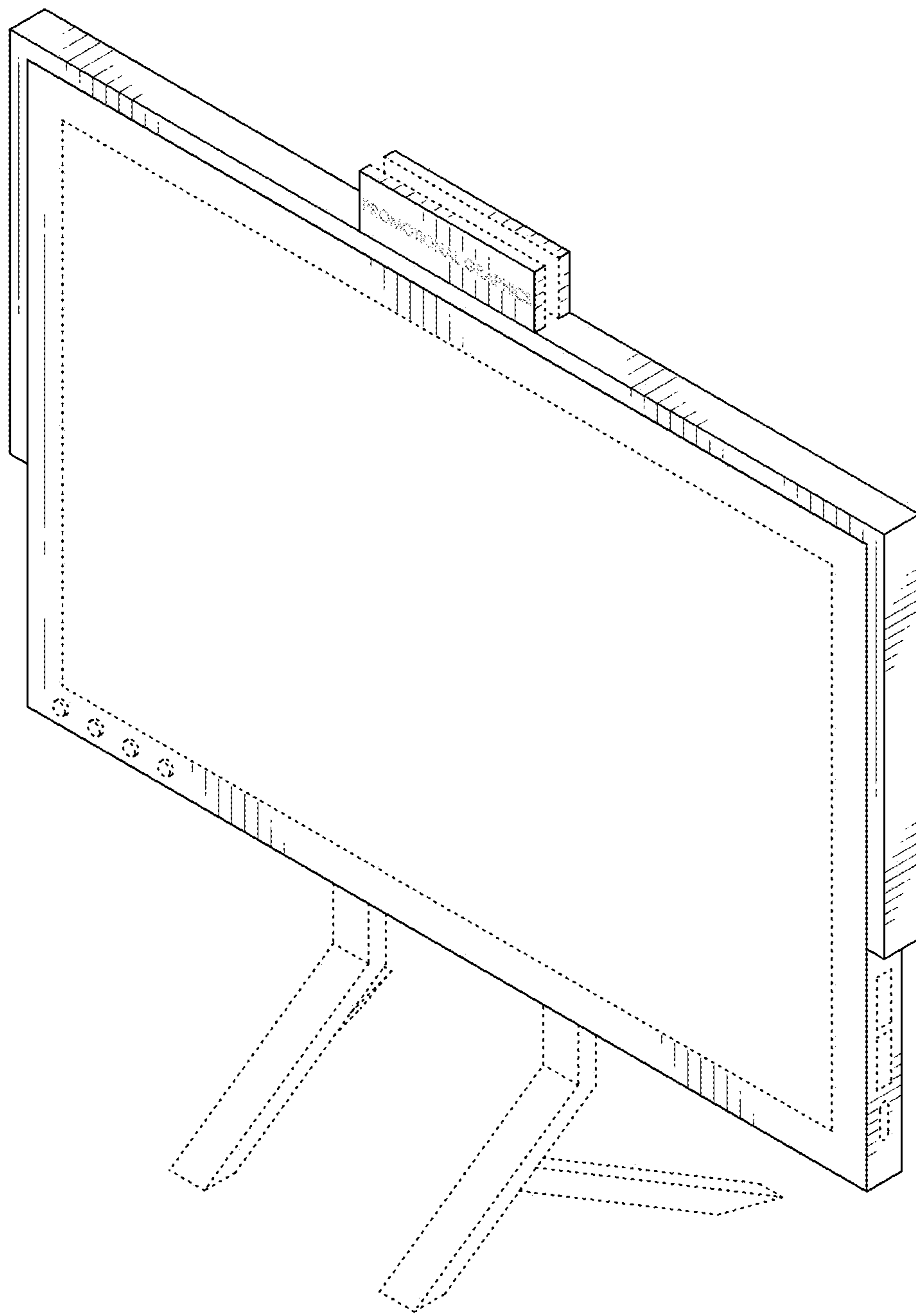


FIG. 1

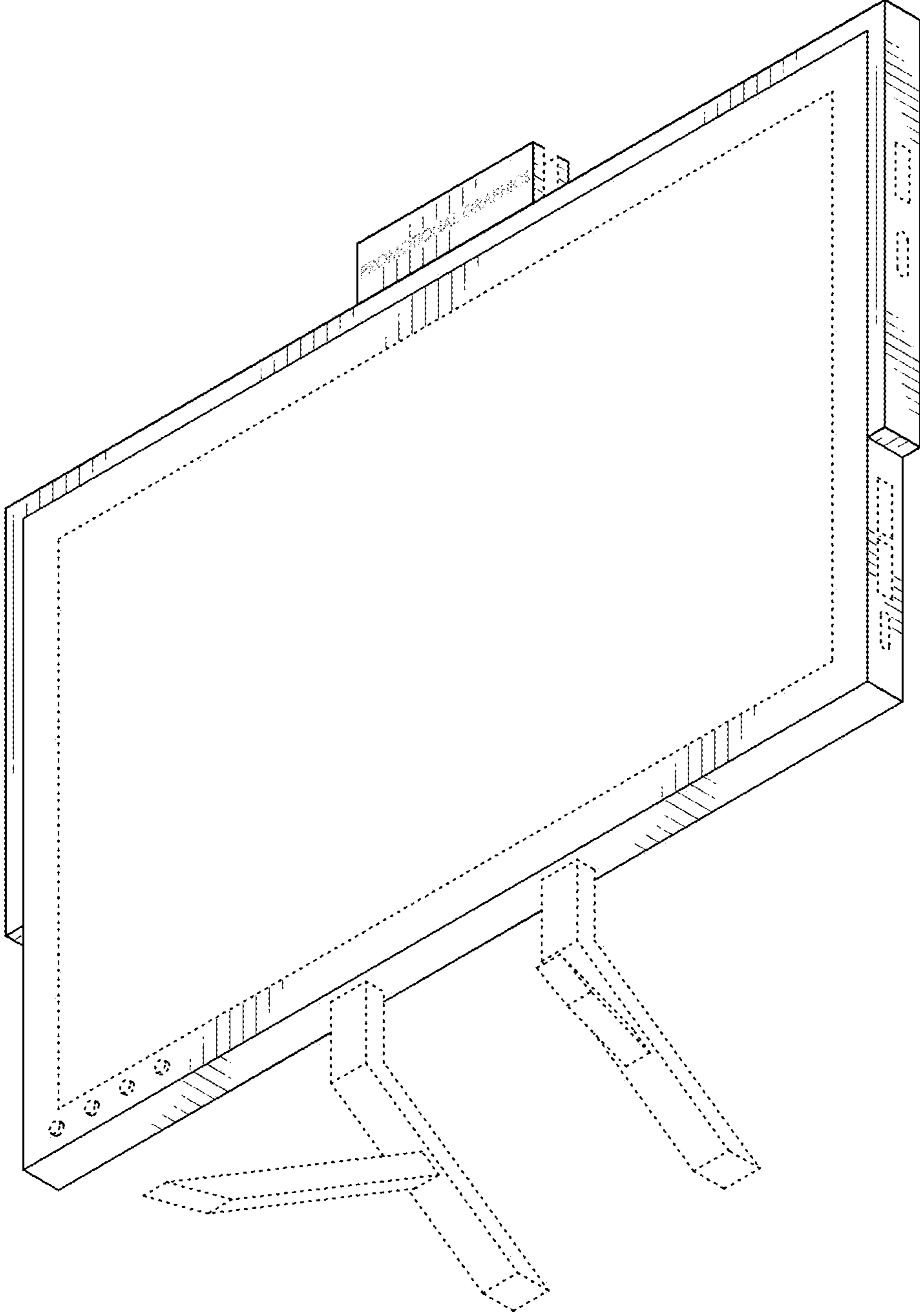


FIG. 2

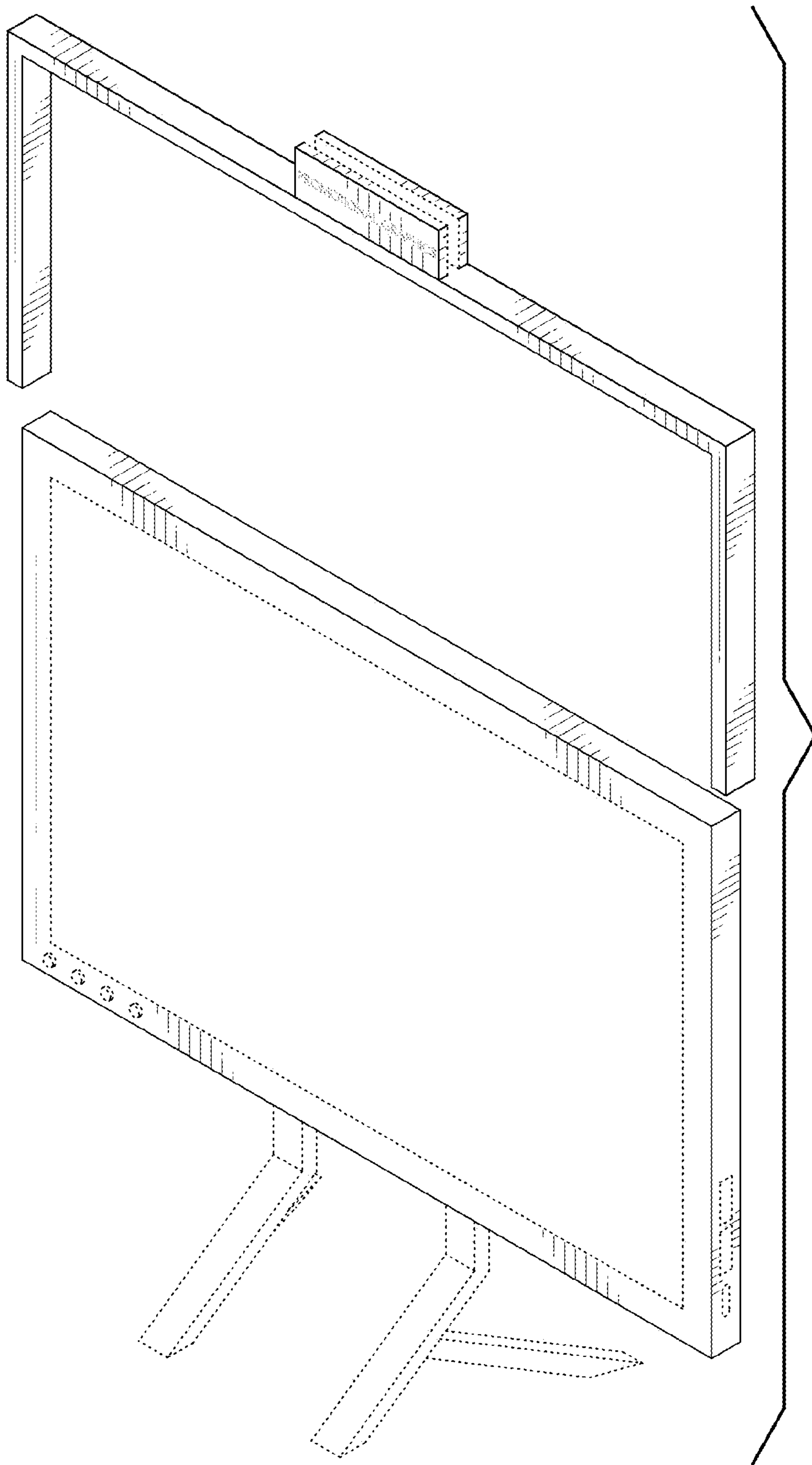


FIG. 3

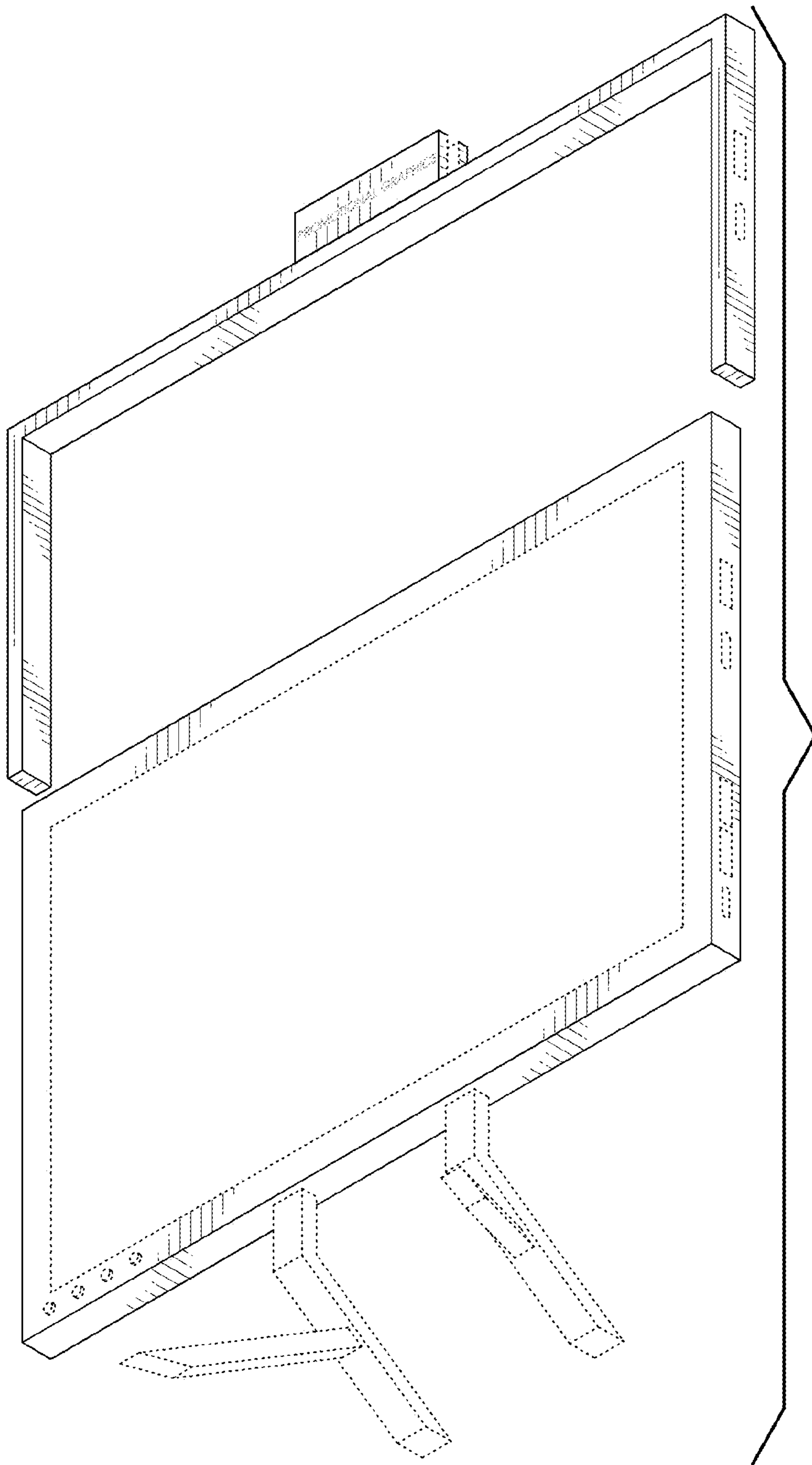


FIG. 4

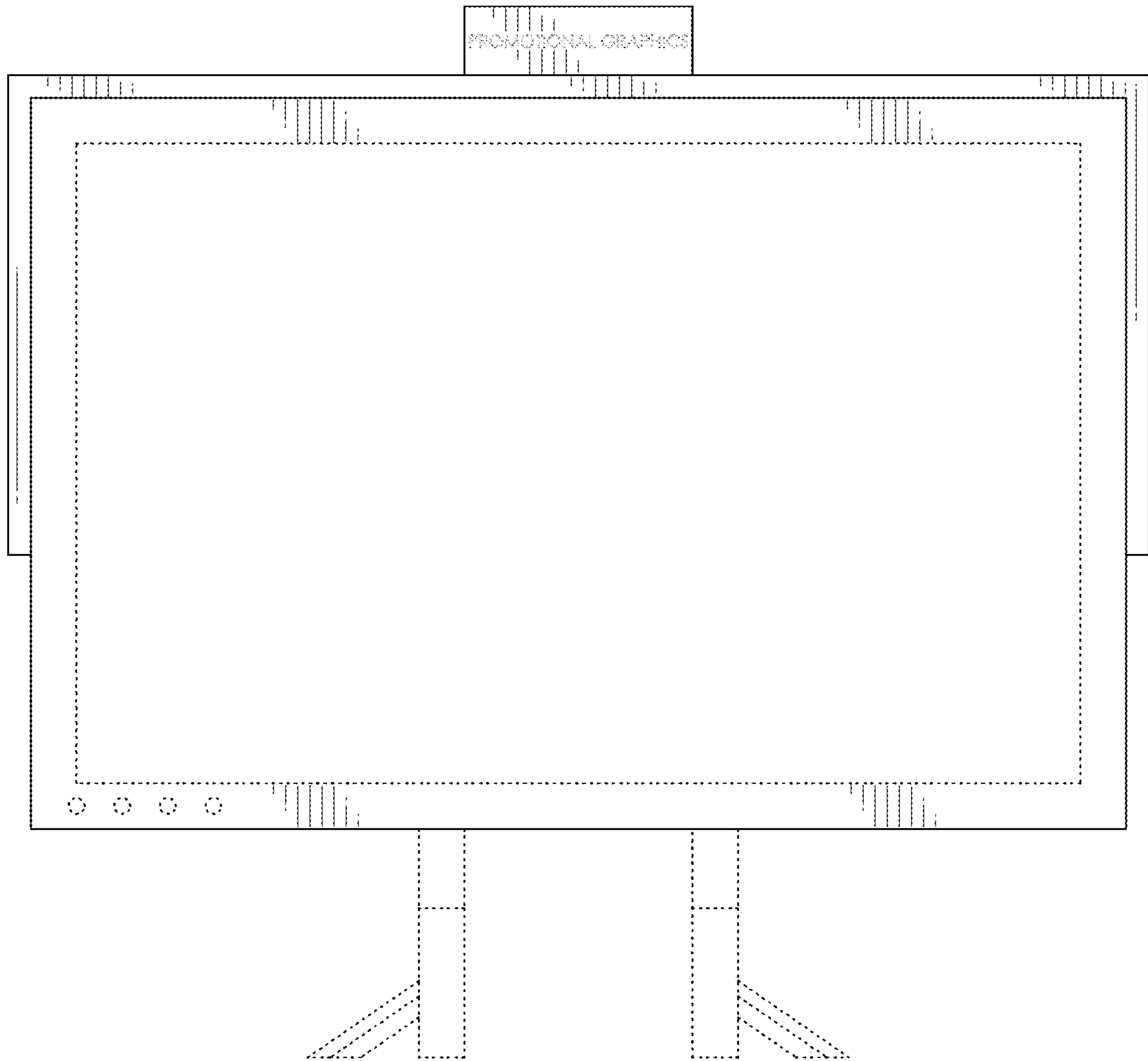


FIG. 5

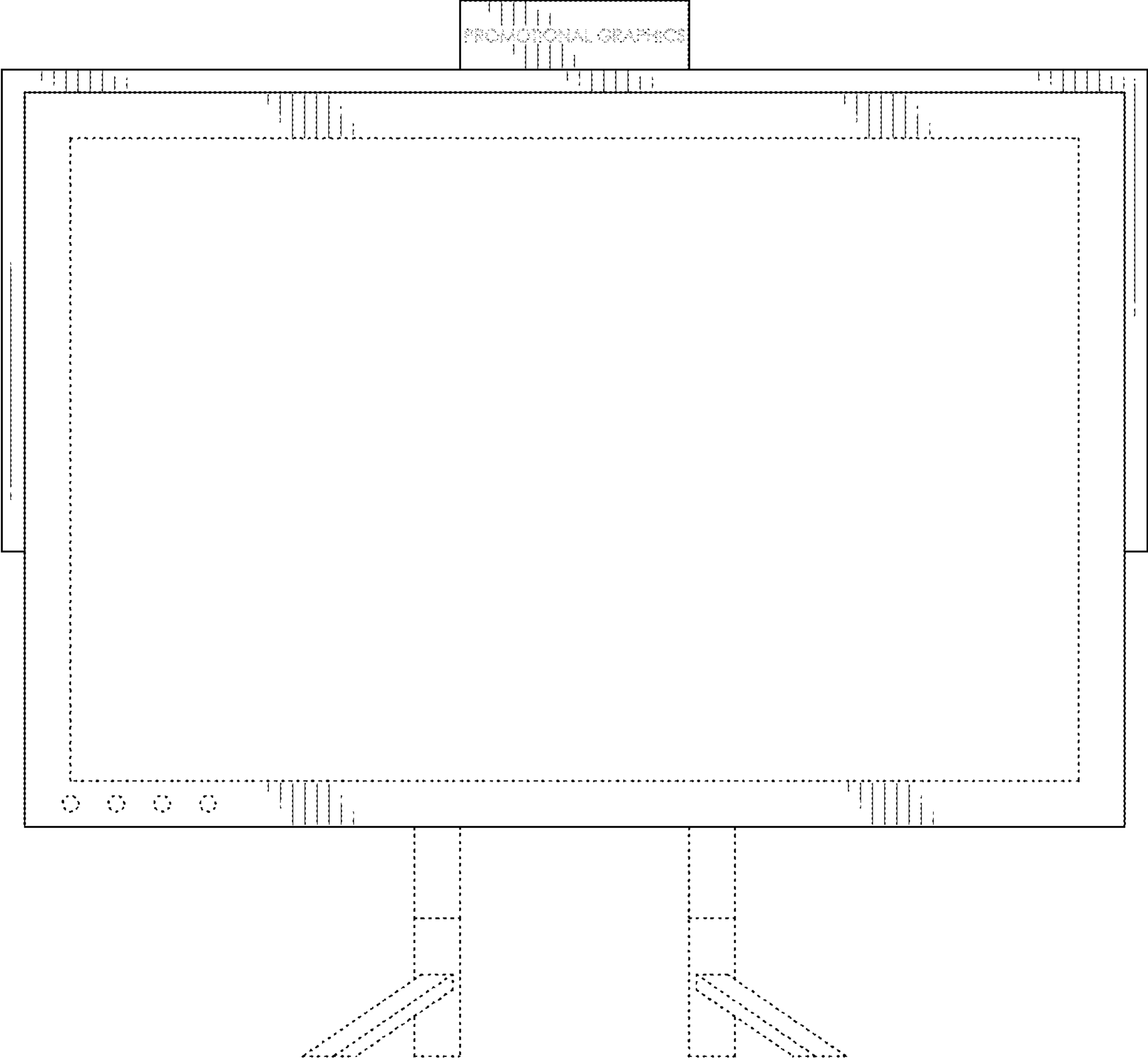


FIG. 6

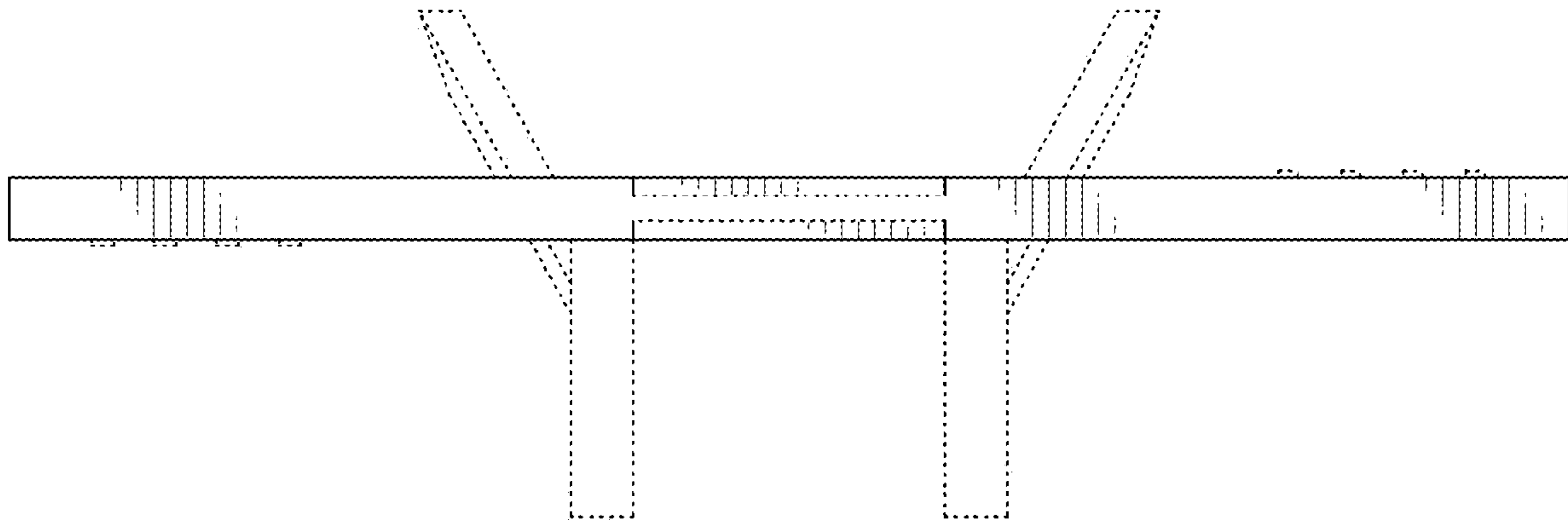


FIG. 7

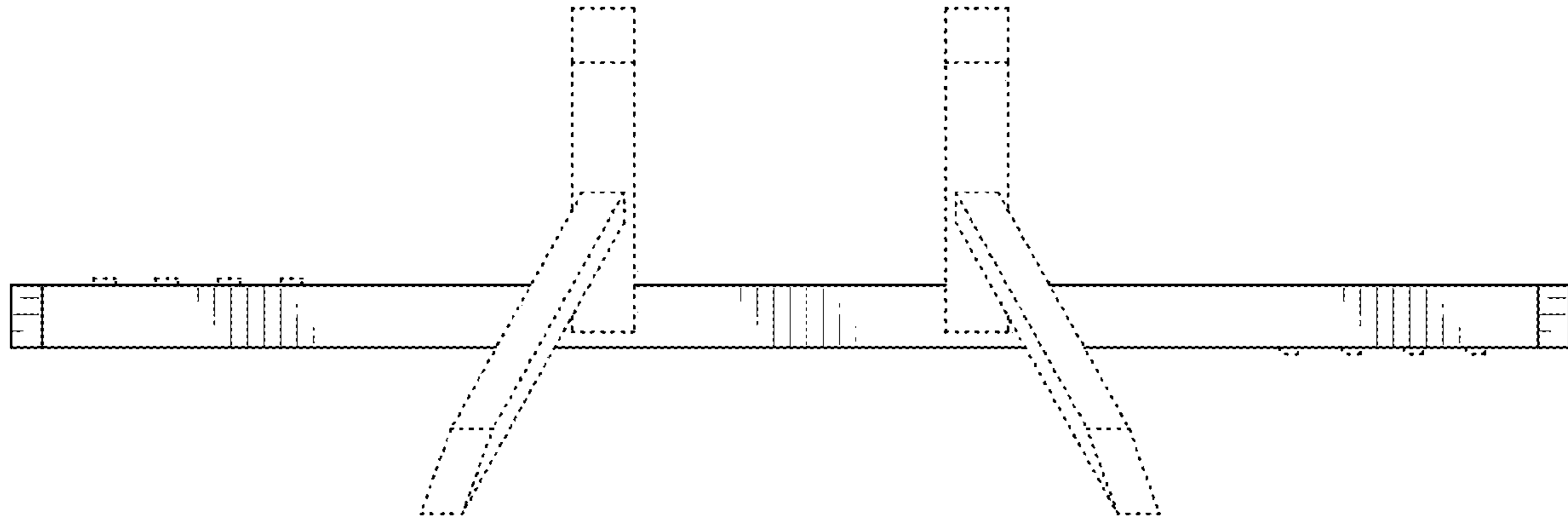


FIG. 8

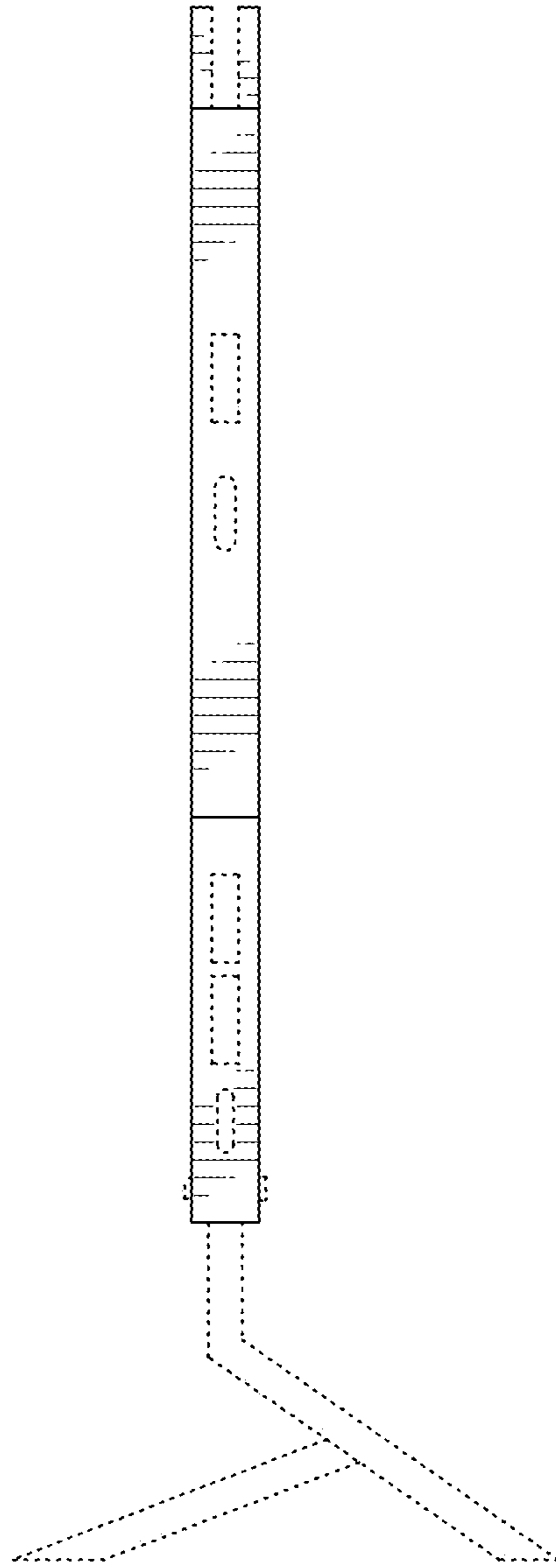


FIG. 9

