



US00D958141S

(12) **United States Design Patent** (10) **Patent No.:** **US D958,141 S**
Cho (45) **Date of Patent:** **** Jul. 19, 2022**

(54) **MONITOR FOR AUTOMOBILE**
(71) Applicant: **Eastern Mastec Corporation**, Paju-si (KR)
(72) Inventor: **Yongbum Cho**, Hanam-si (KR)
(73) Assignee: **EASTERN MASTEC CORPORATION**, Paju-si (KR)
(**) Term: **15 Years**
(21) Appl. No.: **29/715,783**
(22) Filed: **Dec. 4, 2019**
(51) **LOC (13) Cl.** **14-02**
(52) **U.S. Cl.**
USPC **D14/371**
(58) **Field of Classification Search**
USPC D14/126, 214, 300, 305, 307, 336-337, D14/371, 374-384, 388-389, 432, D14/444-445, 448, 450; D24/160, 186; D20/39, 42; D10/15, 21, 24, 104.1, D10/106.95; D21/324-325, 329; D13/162, 164, 184; D19/88, 113; D12/192, 415
CPC E04H 1/1272; E04H 1/1222; G09F 13/00; G09F 9/00; G09F 9/3023; G09F 9/3026
See application file for complete search history.

D666,566 S * 9/2012 Sugita D14/126
D669,076 S * 10/2012 Haller D14/374
D687,388 S * 8/2013 Baumgartner D13/162
(Continued)

FOREIGN PATENT DOCUMENTS

EM 007438304-0001 * 1/2020
KR 300649208.0000 * 6/2012
(Continued)

OTHER PUBLICATIONS

9-Inch Clip On Mirror Monitor, Tadi Brothers, tadibrothers.com, author unlisted, published Jun. 15, 2016 per wayback machine © Tadi Brothers, online, site visited Feb. 16, 2021. Available at URL: <https://www.tadibrothers.com/products/9-lcd-mirror-monitor> (Year: 2016).*

Primary Examiner — Lakiya G Rogers
Assistant Examiner — Altaira J Swangin
(74) *Attorney, Agent, or Firm* — Steven M. Shape; Dennemeyer & Associates, LLC

(57) **CLAIM**

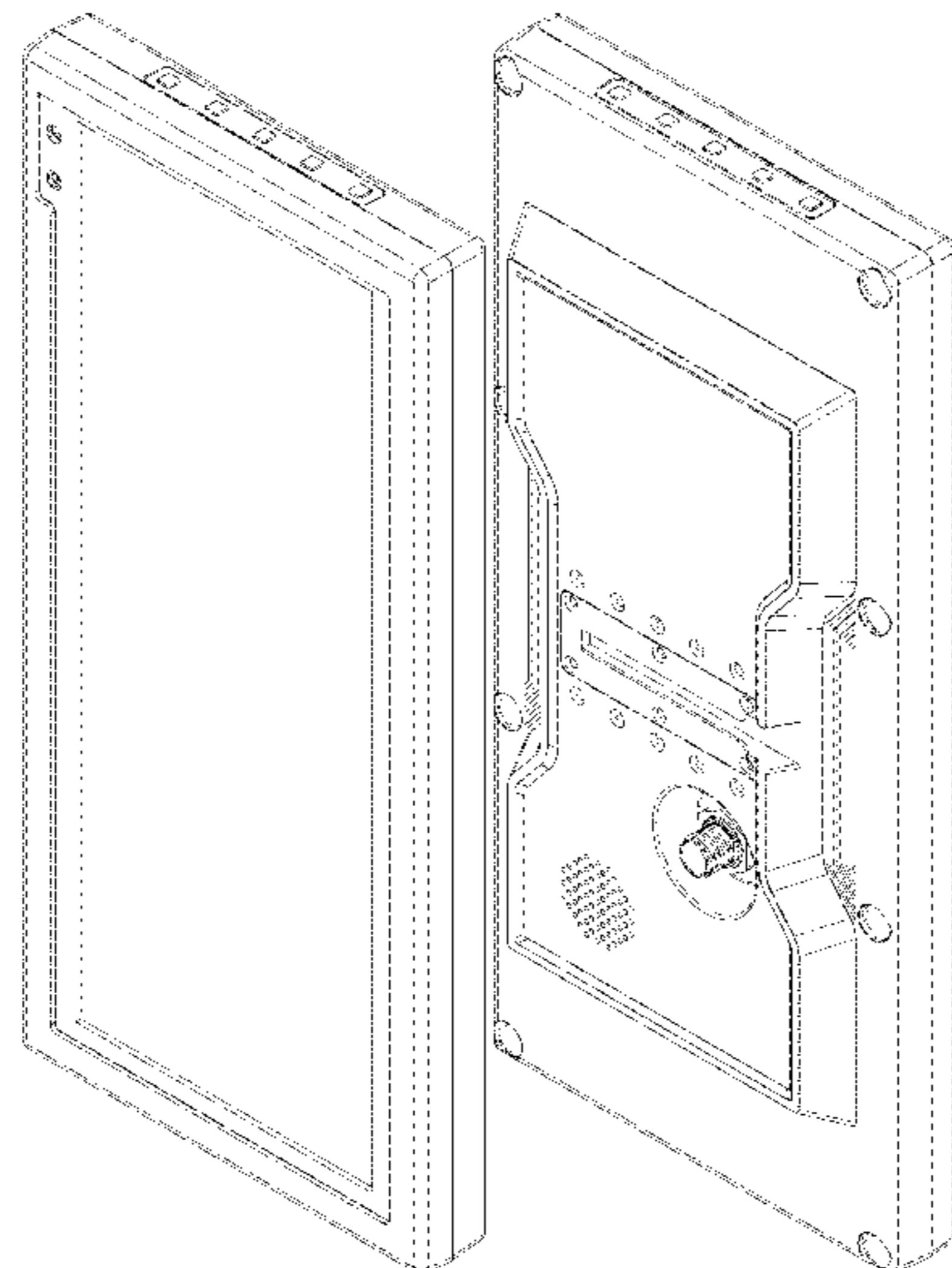
The ornamental design for a monitor for automobile, as shown and described.

DESCRIPTION

FIG. 1 is a front perspective view of the monitor for automobile in accordance with the new design.
FIG. 2 is a front view thereof;
FIG. 3 is a rear view thereof;
FIG. 4 is a left side view thereof;
FIG. 5 is a right side view;
FIG. 6 is top plan view thereof;
FIG. 7 is a bottom plan view thereof; and,
FIG. 8 is a rear perspective.
The broken lines shown in FIGS. 1-8 represent portions of the monitor for automobile and form no part of the claimed design.

1 Claim, 6 Drawing Sheets

(56) **References Cited**
U.S. PATENT DOCUMENTS
D424,538 S * 5/2000 Hayashi D14/126
D494,174 S * 8/2004 Hsu Li D14/374
D561,616 S * 2/2008 Park D10/65
D569,629 S * 5/2008 Yu D6/308
D628,913 S * 12/2010 Cheng D10/65
D637,651 S * 5/2011 Hase D20/42
D640,149 S * 6/2011 Lenz D10/65
D648,233 S * 11/2011 Lenz D10/65
D648,234 S * 11/2011 Lenz D10/65
D659,568 S * 5/2012 Stevens D10/65



(56)

References Cited

U.S. PATENT DOCUMENTS

D687,389 S * 8/2013 Baumgartner D13/164
 D693,343 S * 11/2013 Haller D14/374
 D709,844 S * 7/2014 Kim D14/126
 D727,271 S * 4/2015 Shi D13/162
 D729,644 S * 5/2015 Browning D10/65
 D756,290 S * 5/2016 Cho D12/415
 D765,042 S * 8/2016 Shimohama D13/164
 D769,133 S * 10/2016 Bryant D10/24
 D781,800 S * 3/2017 Kluser D14/126
 D822,016 S * 7/2018 Zhong D14/341
 D840,356 S * 2/2019 Sakamoto D13/164
 D842,857 S * 3/2019 Kimura D14/371
 D844,678 S * 4/2019 Jacobsthal D15/28
 D849,622 S * 5/2019 Woodhouse D12/192
 D864,773 S * 10/2019 Zhang D10/81
 D882,528 S * 4/2020 Fariello D13/162
 D897,347 S * 9/2020 Luo D14/440
 D902,926 S * 11/2020 Andersson D14/371
 D907,033 S * 1/2021 Luo D14/336
 D908,122 S * 1/2021 Luo D14/336
 D917,312 S * 4/2021 Li D10/50
 D935,907 S * 11/2021 Yu D10/57
 D935,908 S * 11/2021 Yu D10/57
 2015/0077532 A1 * 3/2015 Priest G02F 1/133308
 348/77
 2020/0318781 A1 * 10/2020 Zhong A45F 5/10

FOREIGN PATENT DOCUMENTS

KR 300892246.0000 * 2/2017
 KR 301062948.0000 * 6/2020

* cited by examiner

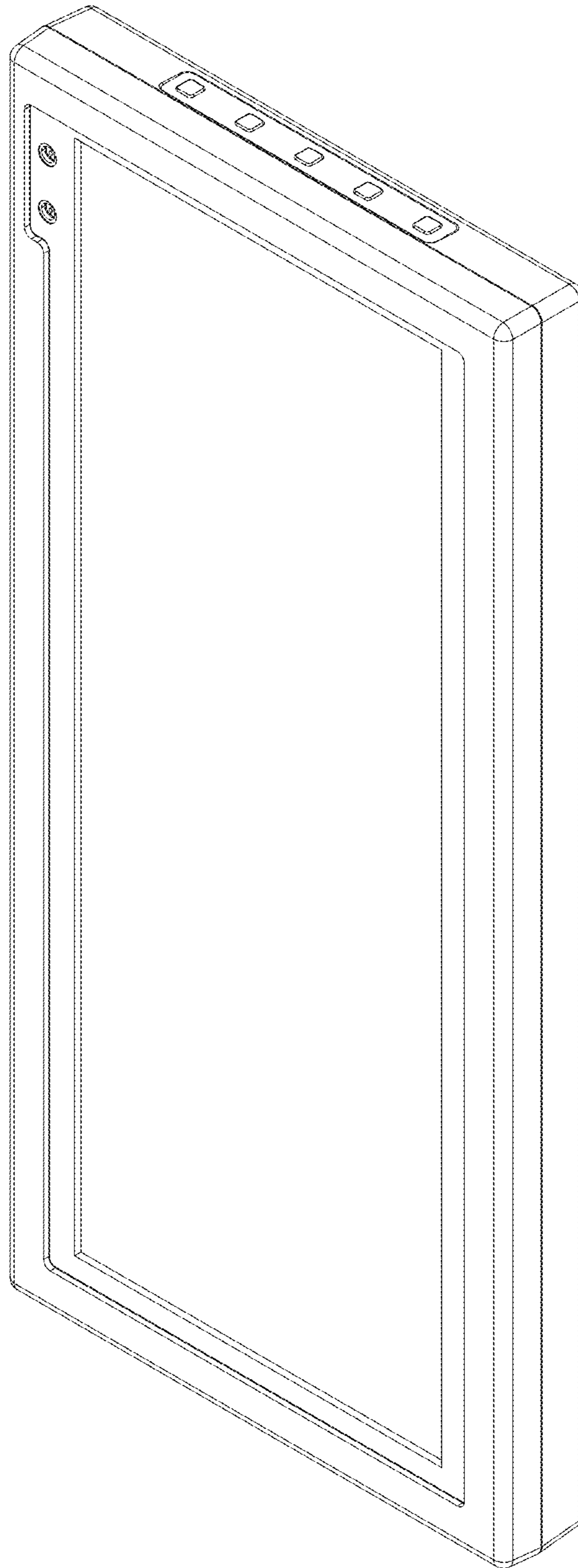


Fig 1

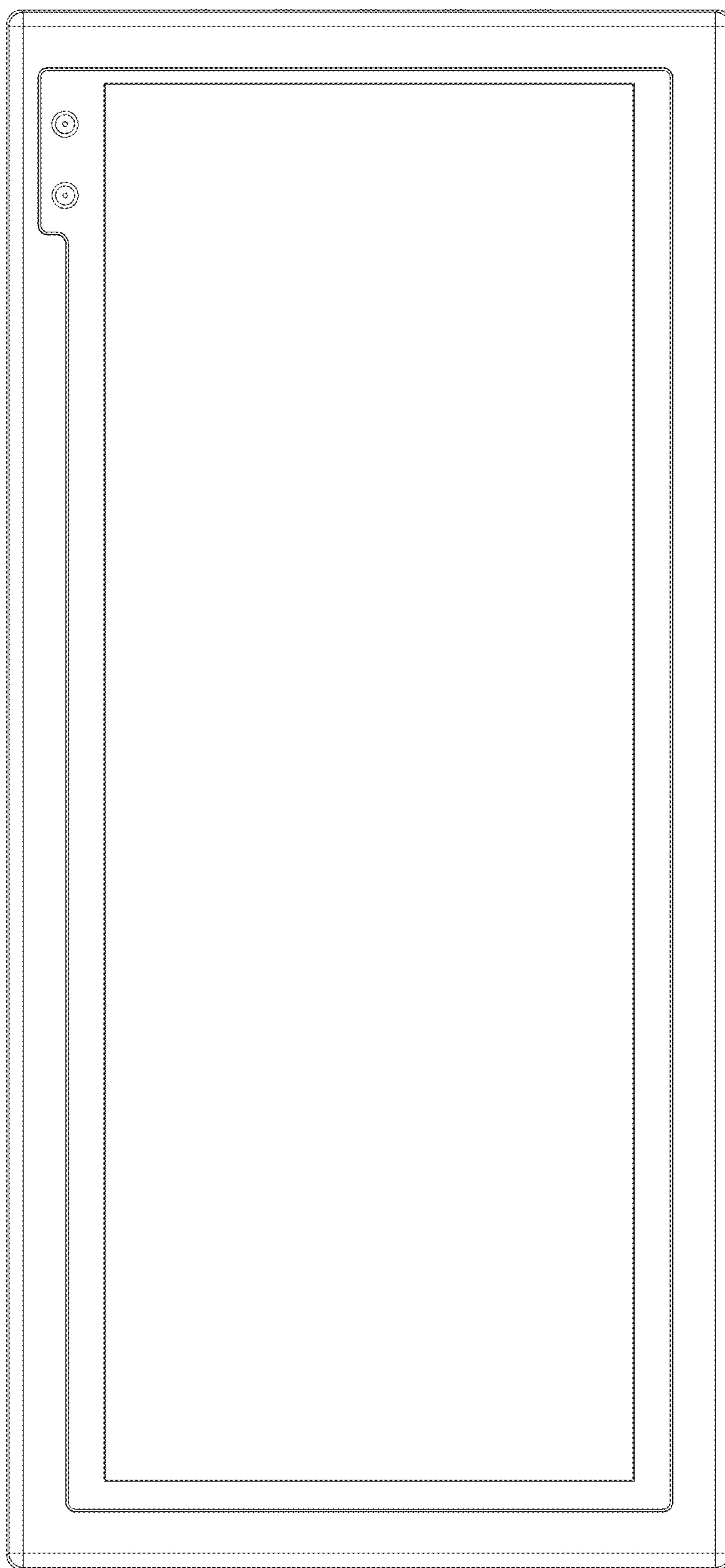


Fig 2

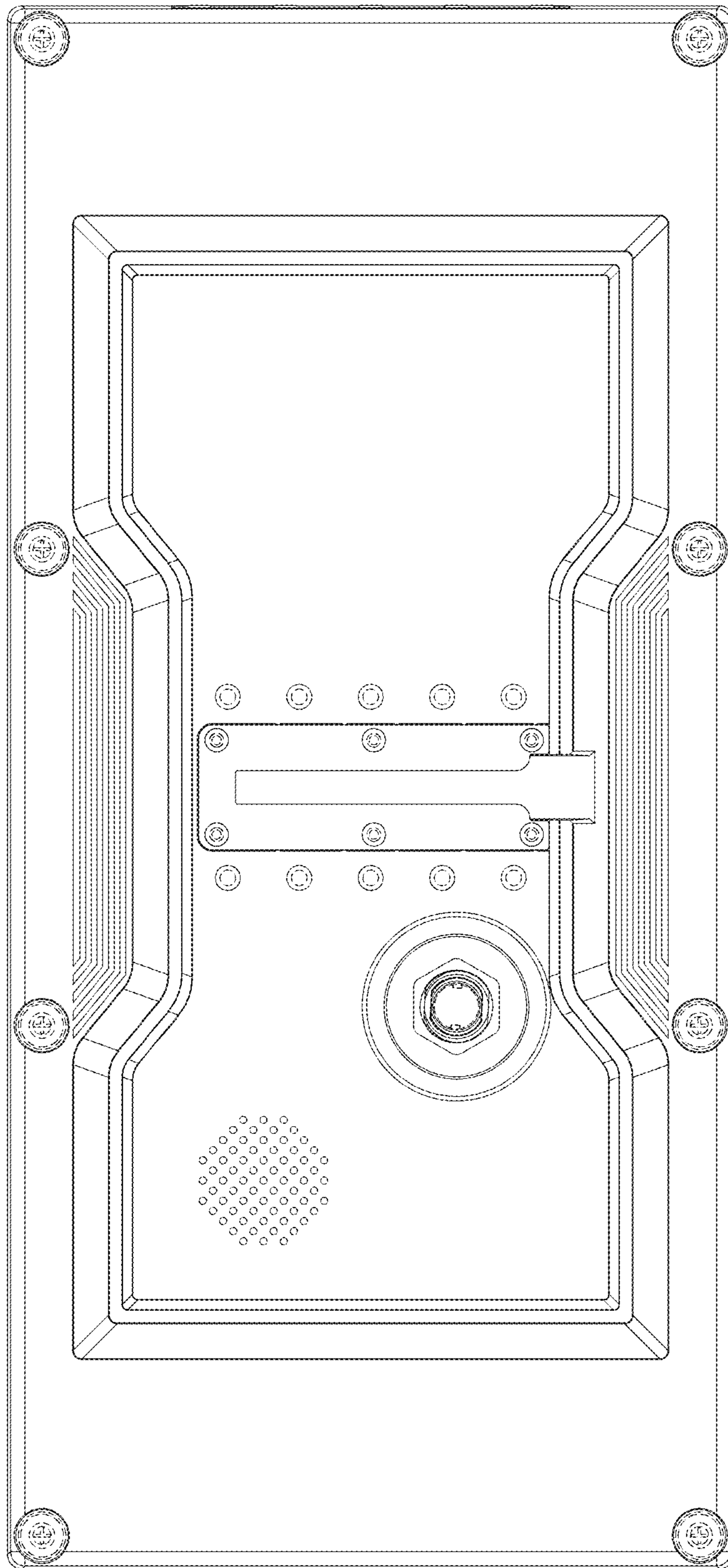


Fig 3

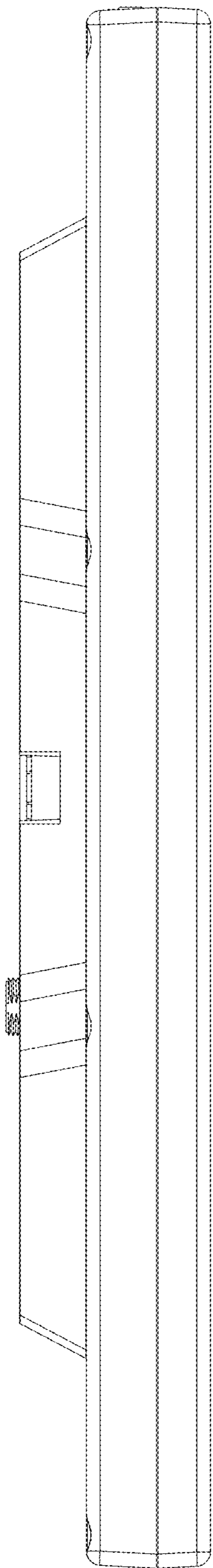


Fig 4

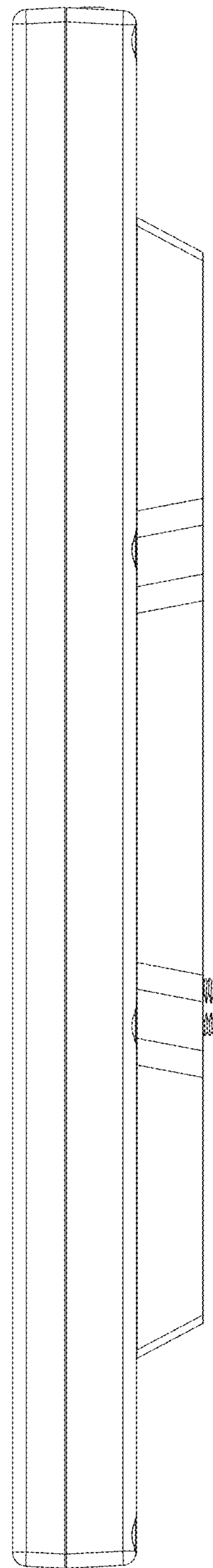


Fig 5

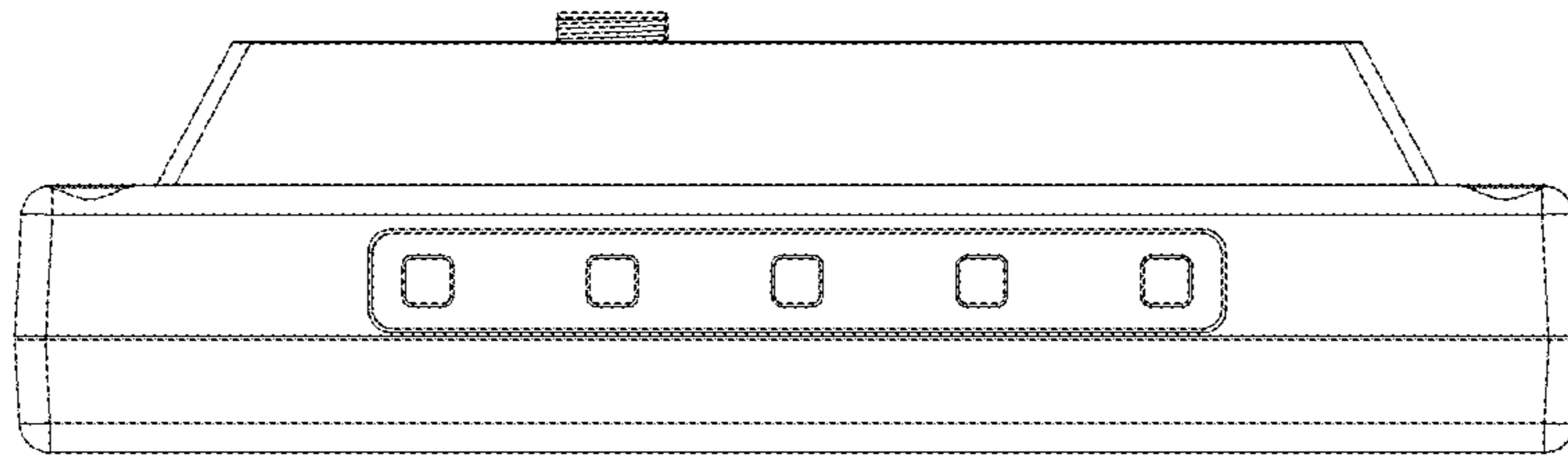


Fig 6

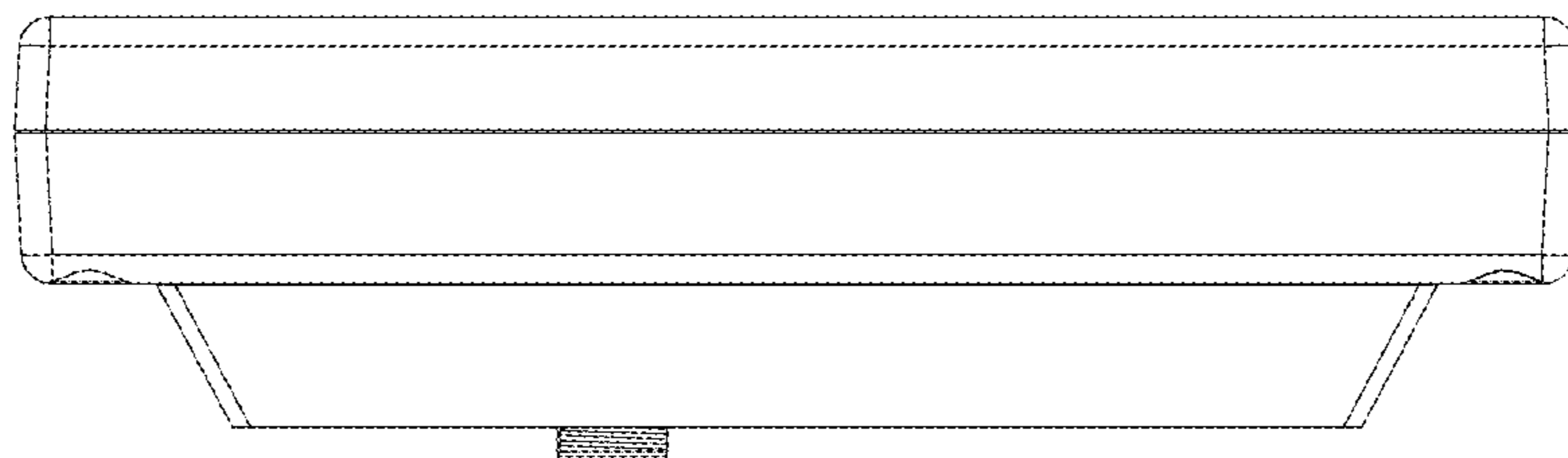


Fig 7

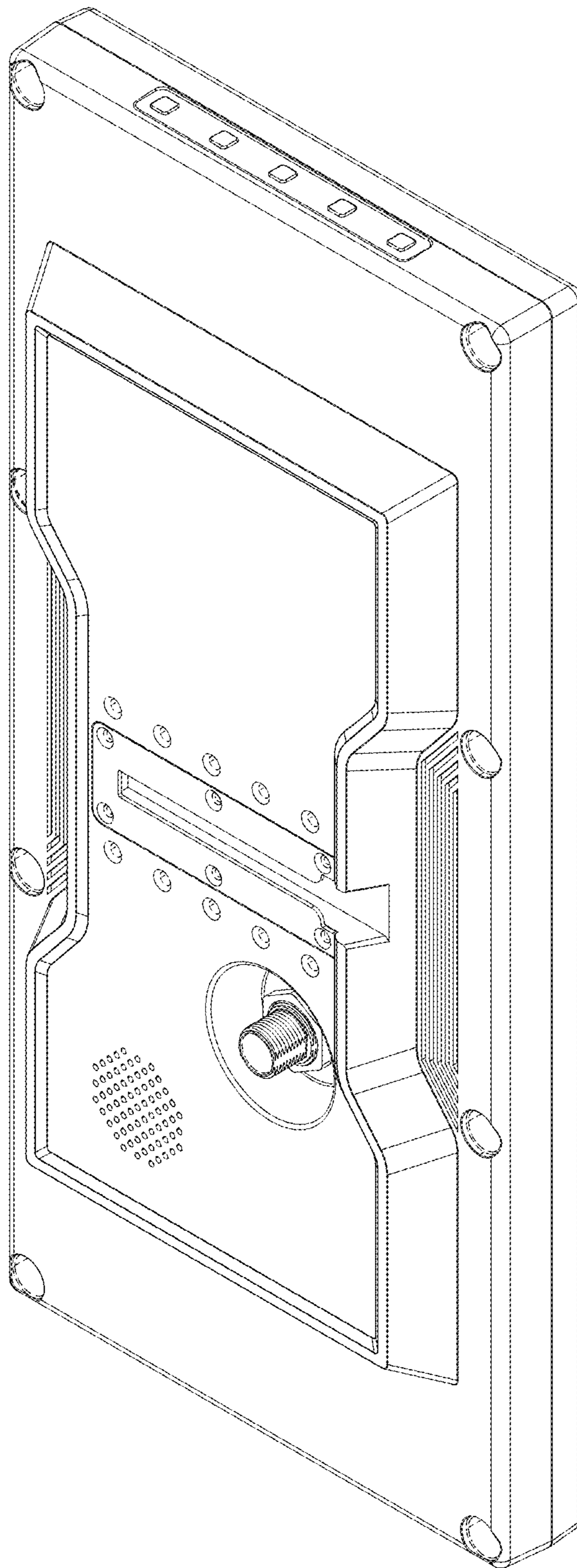


Fig 8