



US00D958140S

(12) **United States Design Patent**
Hellwig-Delaminsky

(10) **Patent No.:** **US D958,140 S**

(45) **Date of Patent:** **** Jul. 19, 2022**

(54) **DATA RECEPTION DEVICE**

(71) Applicant: **Deutsche Bahn AG**, Berlin (DE)

(72) Inventor: **Ingo Hellwig-Delaminsky**, Berlin (DE)

(73) Assignee: **DEUTSCHE BAHN AG**, Berlin (DE)

(**) Term: **15 Years**

(21) Appl. No.: **29/715,396**

(22) Filed: **Dec. 2, 2019**

(30) **Foreign Application Priority Data**

Jun. 7, 2019 (EM) 006567418-001

(51) **LOC (13) Cl.** **14-02**

(52) **U.S. Cl.**
USPC **D14/358**

(58) **Field of Classification Search**
USPC D14/356-358, 383-385, 420, 426, 427,
D14/432, 447, 453, 454, 217, 253, 299,
D14/307, 496, 125, 240, 300, 301, 140.1,
D14/140.2, 140.5, 140.6, 155, 167, 168,
D14/172, 188, 195, 142, 242; D13/107,
D13/108, 158, 162, 162.1, 173, 177, 184,
D13/199, 102; D10/104.1, 106.1, 106.6,
D10/116.1, 61, 64, 75, 106.9, 106.95
CPC ... H04W 88/00; H04W 88/005; H04W 88/02;
H04W 88/08; H04W 88/085; H04W
88/10; H04W 88/12; H04W 88/14; H04W
88/16; H04W 88/18; H04L 9/10
See application file for complete search history.

(56) **References Cited**

U.S. PATENT DOCUMENTS

D243,024 S * 1/1977 Pablik D14/159
D244,762 S * 6/1977 Wasmer D10/75
D292,926 S * 11/1987 Gillespie D14/242

D295,178 S * 4/1988 Pedinielli D14/242
D335,757 S * 5/1993 Ward D21/333
D338,193 S * 8/1993 Sasaki D13/147
D355,173 S * 2/1995 Fenton D14/242
D366,480 S * 1/1996 Shimizu D14/242
D376,368 S * 12/1996 Larson D14/240
D390,553 S * 2/1998 Beaumont D14/137
D395,314 S * 6/1998 Oikawa D14/242
D411,202 S * 6/1999 Flanagan, III D14/459
D423,971 S * 5/2000 Elbinger D10/106.1
D427,100 S * 6/2000 Elbinger D10/106.1
D427,587 S * 7/2000 Jacobsen D14/240
D428,876 S * 8/2000 Renkis D14/230
D436,547 S * 1/2001 Campman D10/104.1
D443,859 S * 6/2001 Hogan D13/133
D444,461 S * 7/2001 Koken D14/356
D476,979 S * 7/2003 Dugas D14/240
D479,563 S * 9/2003 Shibano D14/400
D491,191 S * 6/2004 Wen D14/496
D498,759 S * 11/2004 Lewis D14/242
D500,755 S * 1/2005 Chung D14/240

(Continued)

Primary Examiner — Marie D. Fast Horse

(74) *Attorney, Agent, or Firm* — Gottlieb, Rackman & Reisman, PC

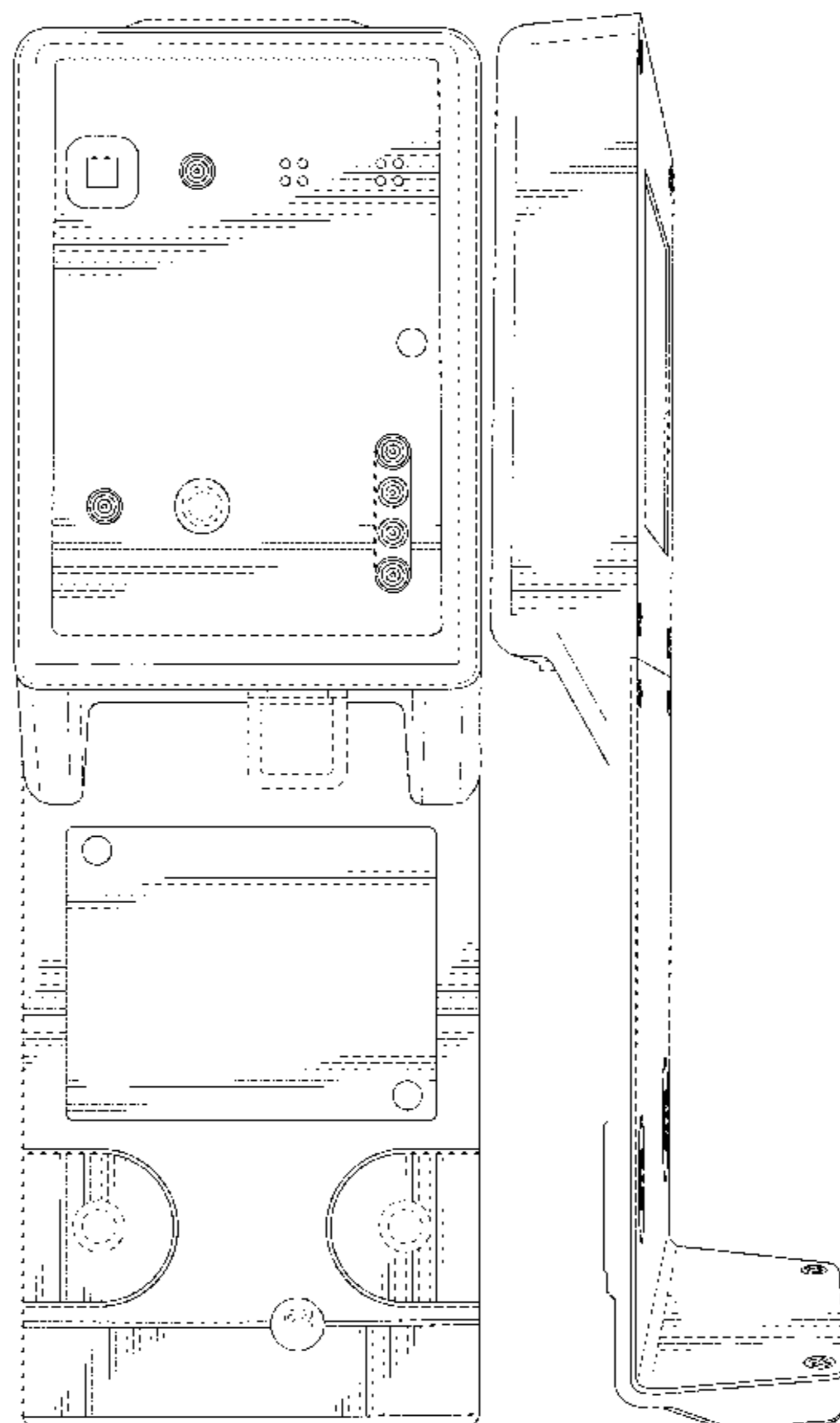
(57) **CLAIM**

The ornamental design for a data reception device, as shown and described.

DESCRIPTION

FIG. 1 is a front elevational view of a data reception device showing my new design;
FIG. 2 is a rear elevational view thereof;
FIG. 3 is a first side perspective view thereof;
FIG. 4 is a second side perspective view thereof;
FIG. 5 is a first perspective end view thereof; and,
FIG. 6 is a second perspective end view thereof.
The broken lines in the drawings depict portions of the data reception device that form no part of the claimed design.

1 Claim, 6 Drawing Sheets



(56)

References Cited

U.S. PATENT DOCUMENTS

D514,563 S *	2/2006	Kuramashi	D14/349	D716,803 S *	11/2014	Neumann	D14/358
D517,007 S *	3/2006	Yong-Jian	D13/108	D725,098 S *	3/2015	Neumann	D14/358
D520,999 S *	5/2006	Woo	D14/356	D725,099 S *	3/2015	Neumann	D14/358
D531,158 S *	10/2006	Grady	D14/155	D733,080 S *	6/2015	Kuh	D14/125
D532,000 S *	11/2006	Merrow	D14/240	D736,166 S *	8/2015	Kuh	D14/125
D540,315 S *	4/2007	Merrow	D14/240	D750,613 S *	3/2016	Riedel	D14/301
D560,911 S *	2/2008	Hackbart	D3/201	D759,637 S *	6/2016	Maxam	D14/358
D573,985 S *	7/2008	Jeong	D14/240	D766,182 S *	9/2016	Mielnik	D13/123
D576,626 S *	9/2008	On	D14/436	D775,127 S *	12/2016	Strubi	D14/358
D600,689 S *	9/2009	Jen	D14/300	D778,906 S *	2/2017	Grübel et al.	D14/358
D639,297 S *	6/2011	Anderson	D14/356	D783,583 S *	4/2017	Moon	D14/240
D662,921 S *	7/2012	Clements	D14/243	D785,564 S *	5/2017	Lee	D13/108
D664,524 S *	7/2012	Johnson	D14/225	D815,625 S *	4/2018	Wartmann	D14/358
D670,255 S *	11/2012	Clark	D13/168	D829,341 S *	9/2018	Morohoshi	D25/33
D681,648 S *	5/2013	Kostrzewski	D14/474	D852,454 S *	6/2019	King	D99/43
D683,721 S *	6/2013	Ho	D14/240	D856,291 S *	8/2019	Sun	D14/155
D699,614 S *	2/2014	Ke	D10/106.95	D865,315 S *	10/2019	King	D99/43
D708,977 S *	7/2014	Corso	D10/104.1	D903,609 S *	12/2020	Chretien	D13/162
D713,811 S *	9/2014	Isaacs	D14/138 AA	D938,422 S *	12/2021	Hellwig-Delaminsky	D14/383
				D946,571 S *	3/2022	Garipov	D14/358

* cited by examiner

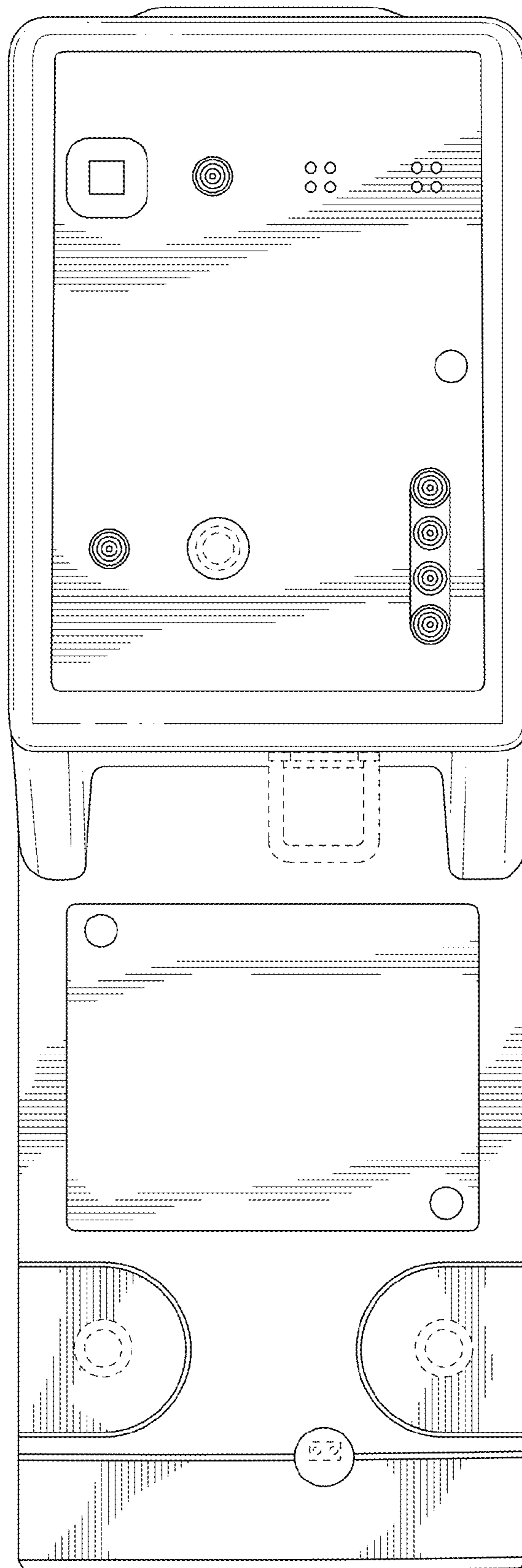


FIG. 1

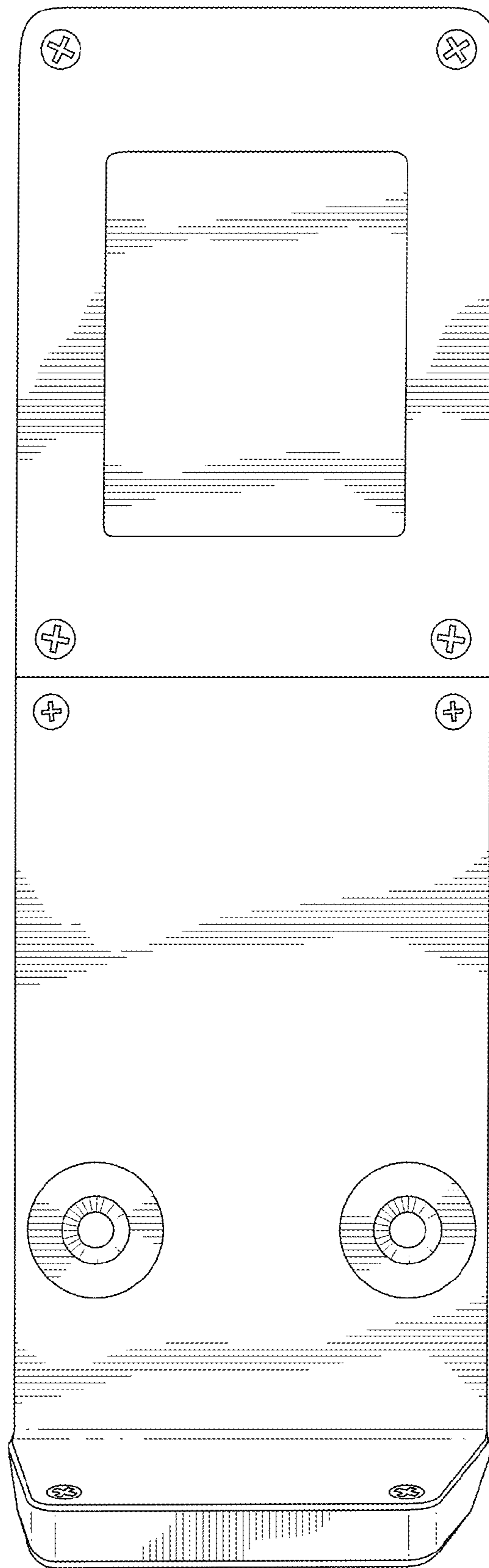


FIG. 2

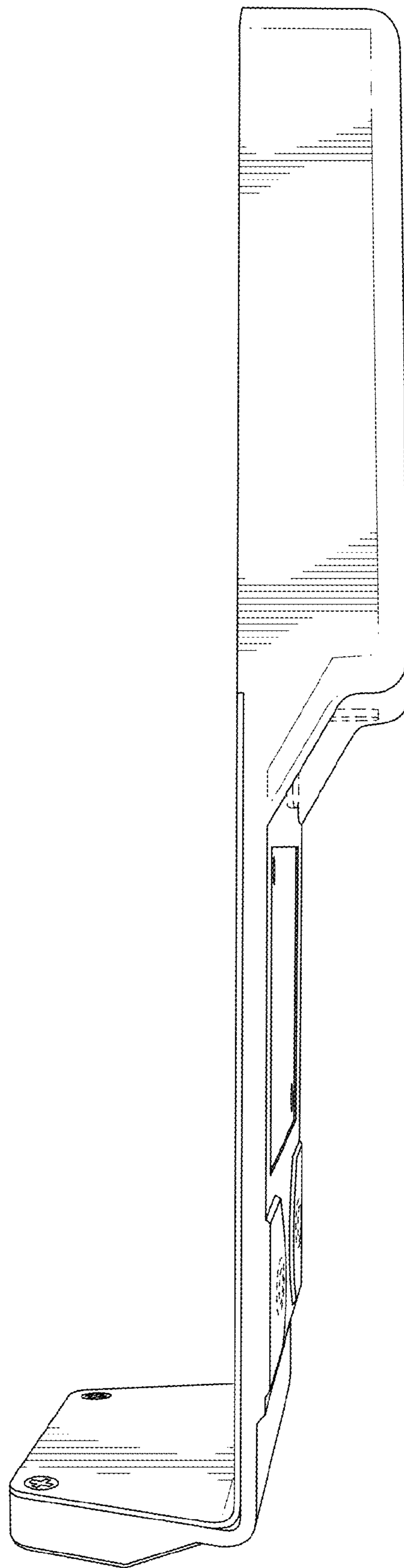


FIG. 3

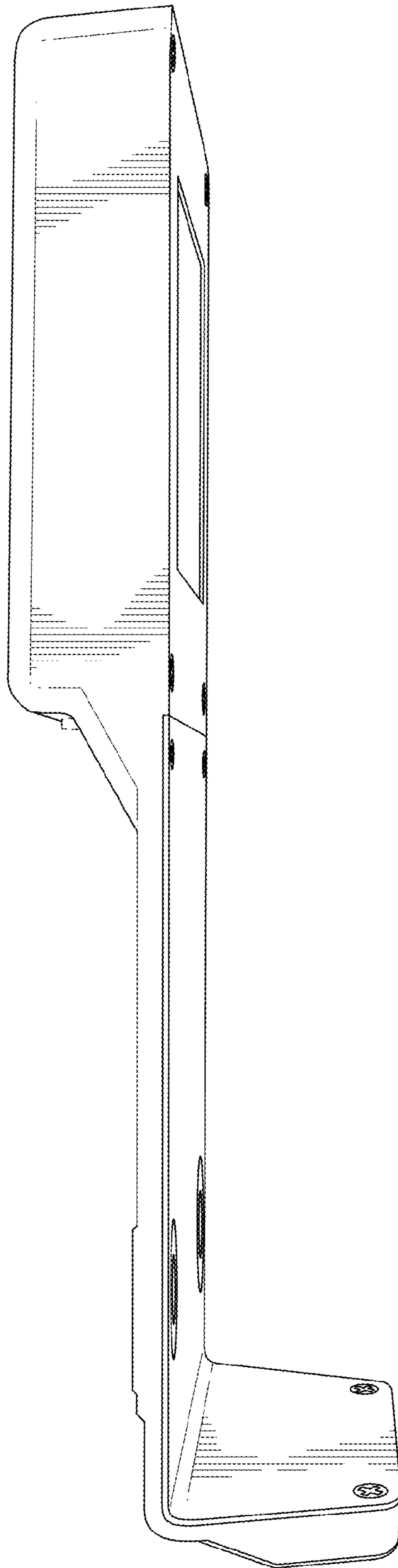


FIG.4

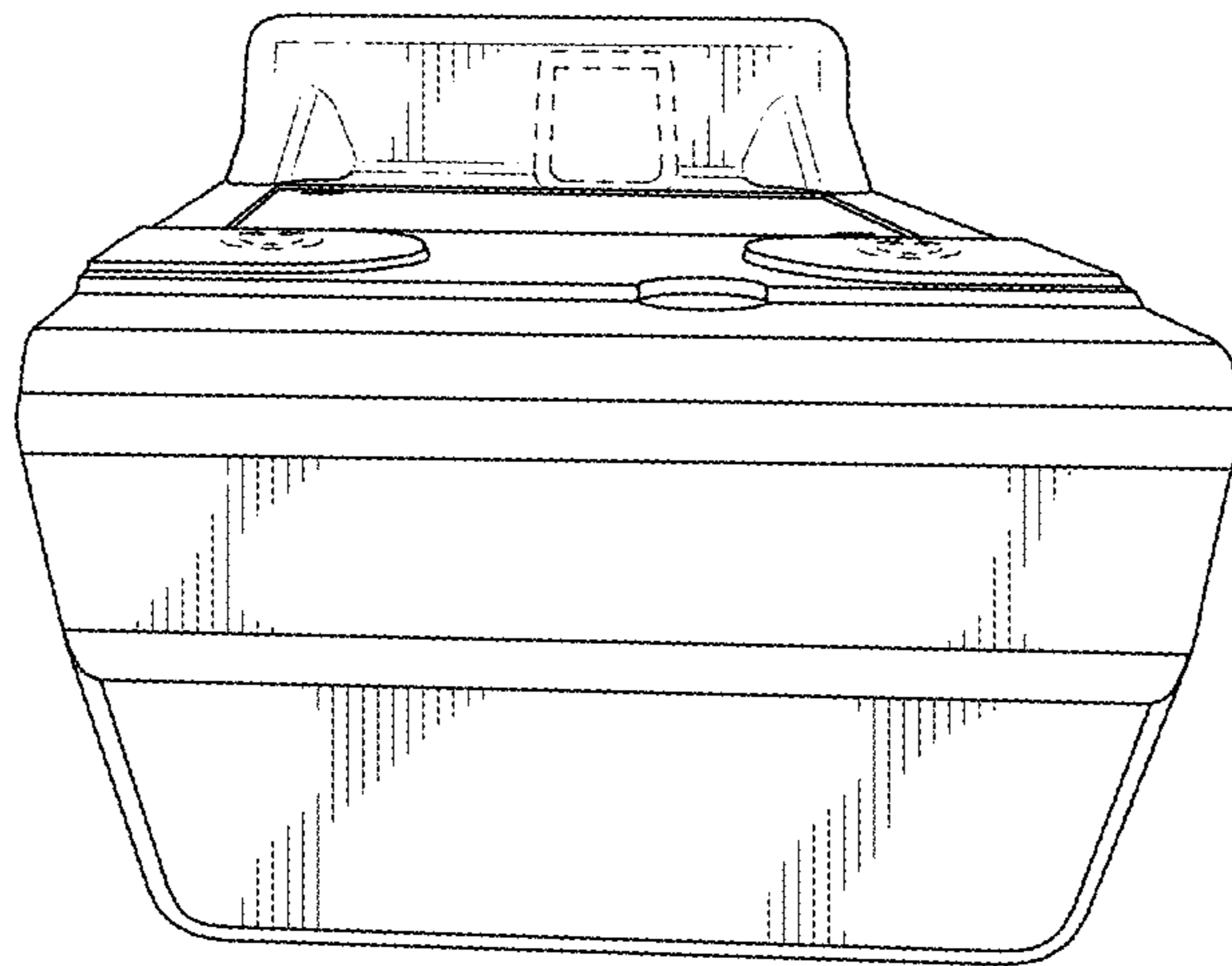


FIG. 5

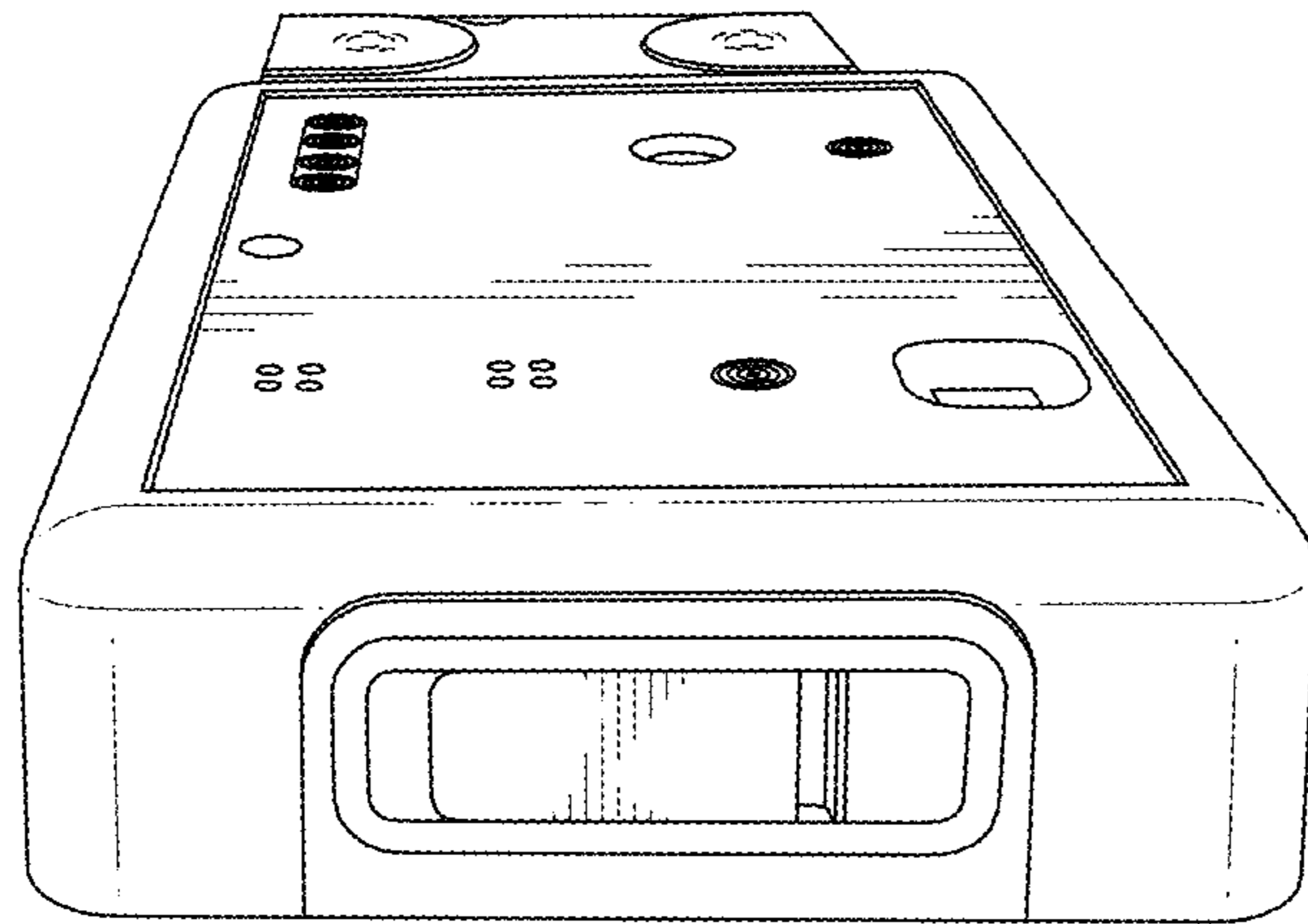


FIG.6