



US00D958139S

(12) **United States Design Patent**
Cheng

(10) **Patent No.:** **US D958,139 S**
(45) **Date of Patent:** **** Jul. 19, 2022**

(54) **SMART WATCH**

(71) Applicant: **SHENZHEN BIGGERFIVE TECHNOLOGY CO., LIMITED,**
Shenzhen (CN)

(72) Inventor: **Fangchao Cheng,** Shenzhen (CN)

(73) Assignee: **SHENZHEN BIGGERFIVE TECHNOLOGY CO., LIMITED,**
Shenzhen (CN)

(**) Term: **15 Years**

(21) Appl. No.: **29/809,820**

(22) Filed: **Sep. 30, 2021**

(30) **Foreign Application Priority Data**

May 11, 2021 (CN) 202130277738.3

(51) **LOC (13) Cl.** **14-02**

(52) **U.S. Cl.**
USPC **D14/344**

(58) **Field of Classification Search**
USPC ... D14/138 R, 144, 341, 344, 346, 388, 389,
D14/390, 496; D10/30-32, 38, 70;
D24/167, 186, 187
CPC G04G 17/00; G04G 17/045; G04G 17/08;
G04G 17/083; G04G 21/00; G04G 21/02;
G04G 21/025; G04G 21/06; G04G 21/08;
G04G 99/006; G04G 99/163; G06F
1/163; A44C 5/0007; A44C 5/0015; A44C
5/0046; A44C 5/0053; A44C 5/2052;
A44C 5/2071

See application file for complete search history.

(56) **References Cited**

U.S. PATENT DOCUMENTS

D730,347 S * 5/2015 Jung D14/344
D751,069 S * 3/2016 Choi D10/70

D784,345 S 4/2017 Kwon
D807,214 S * 1/2018 Au Yeung D10/70
D824,899 S * 8/2018 Yang D14/344
D860,818 S * 9/2019 Viry D10/32
D863,297 S * 10/2019 Ke D14/344
D887,287 S * 6/2020 Kong D14/344
D9,014 S 11/2020 Gao
D910,010 S * 2/2021 Russomanno D14/344
D927,999 S * 8/2021 Paschke D10/70
D933,651 S * 10/2021 Cheng D14/344

(Continued)

FOREIGN PATENT DOCUMENTS

GB 6150034 * 7/2021

OTHER PUBLICATIONS

BIGGERFIVE Kids Fitness Tracker, www.amazon.com, Jul. 14, 2020. <https://www.amazon.com/dp/B08CXVCZJZ> (Year: 2020).*

(Continued)

Primary Examiner — Llorelys Martinez

Assistant Examiner — Kwabena A. Ankobiah

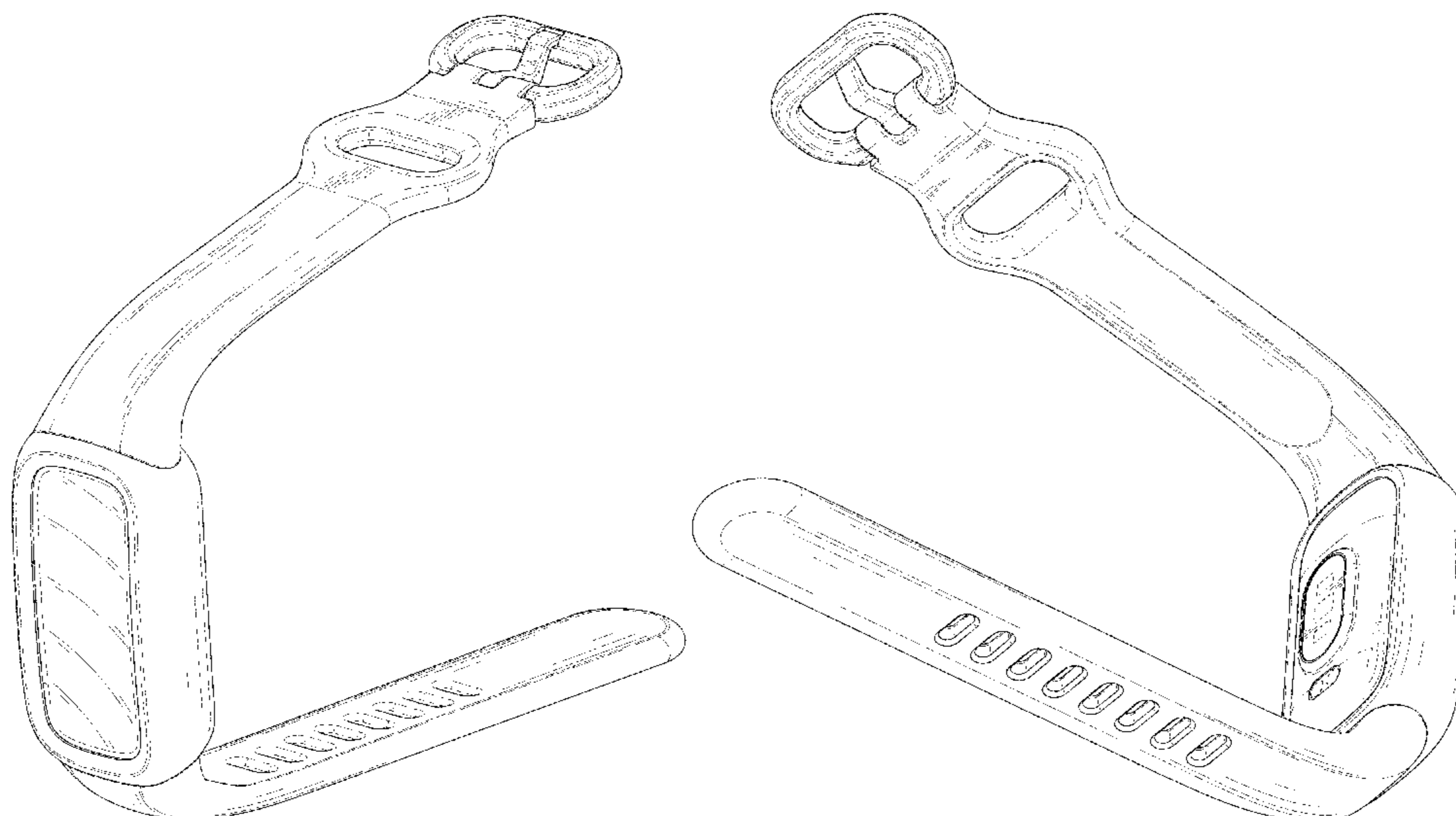
(57) **CLAIM**

The ornamental design for a smart watch, as shown and described.

DESCRIPTION

FIG. 1 is a perspective view of a smart watch showing my new design;
FIG. 2 is another perspective view thereof;
FIG. 3 is a front elevational view thereof;
FIG. 4 is a rear elevational view thereof;
FIG. 5 is a left side elevational view thereof;
FIG. 6 is a right side elevational view thereof;
FIG. 7 is a top plan view thereof; and,
FIG. 8 is a bottom plan view thereof.
The broken lines in the drawings depict portions of the smart watch that form no part of the claimed design.

1 Claim, 8 Drawing Sheets



(56)

References Cited

U.S. PATENT DOCUMENTS

D944,792 S * 3/2022 Fraboulet D14/344

OTHER PUBLICATIONS

Amazfit Band 5 Activity Fitness Tracker with Alexa Built-in, www.amazon.com, Sep. 21, 2020. <https://www.amazon.com/Amazfit-Fitness-Monitoring-Tracking-Resistant/dp/B08DKYLK4D> (Year: 2020).*

Biggerfive Kids Fitness Tracker Watch for Girls Boys Age 5-12, www.amazon.com, Sep. 17, 2021. <https://www.amazon.com/dp/B09GK4WXJH> (Year: 2021).*

M6 Vs M5 Smart Watch Health Band Heart Rate Test Comparison Fitpro Smartband, www.youtube.com, Apr. 27, 2021. <https://www.youtube.com/watch?v=OfktjcOmp54> (Year: 2021).*

* cited by examiner

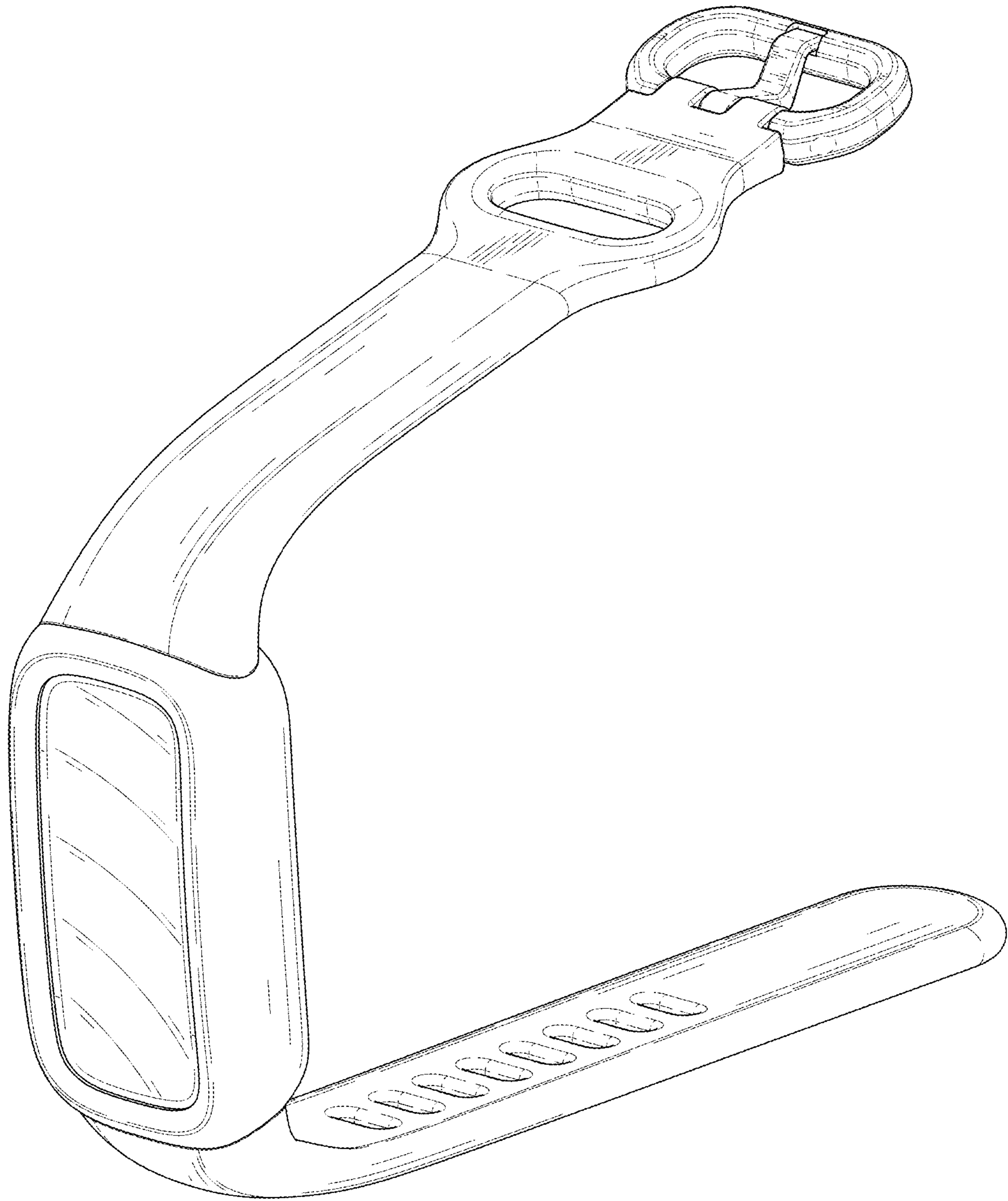


FIG. 1

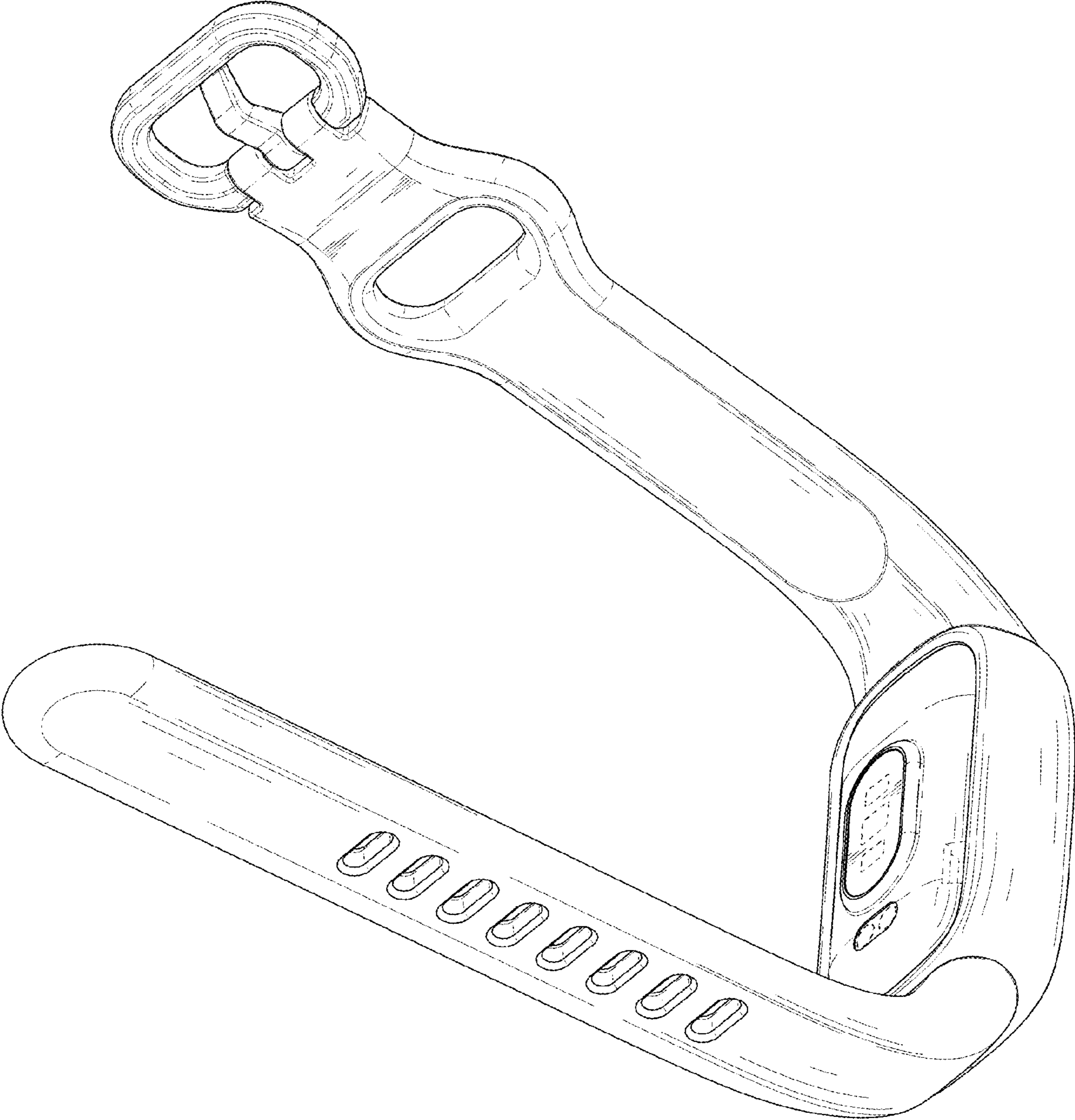


FIG. 2

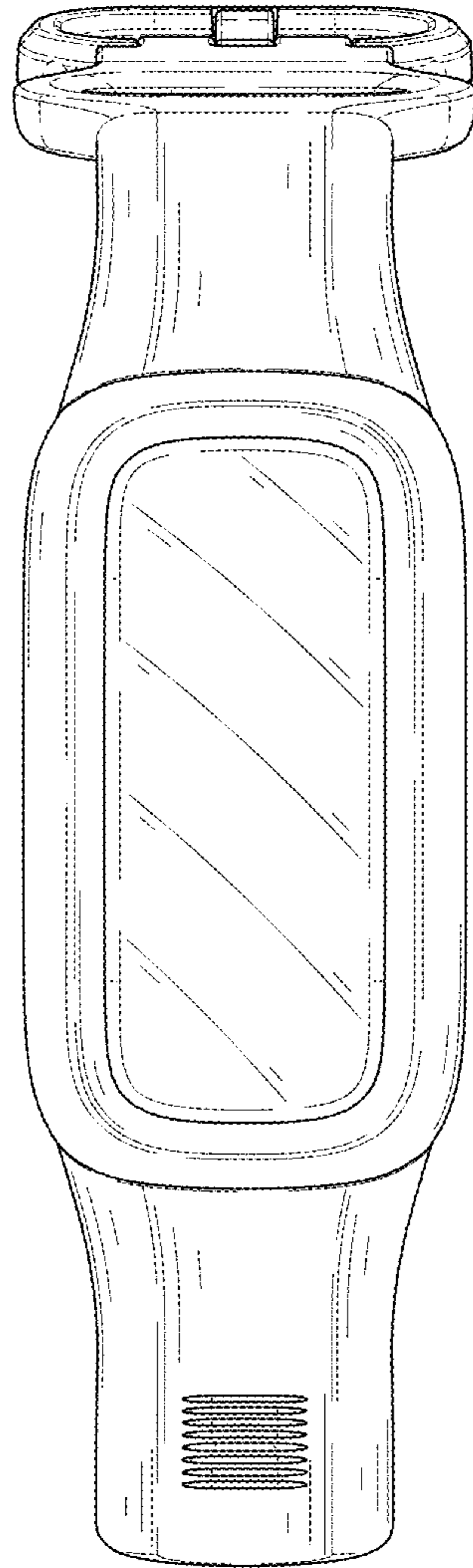


FIG. 3

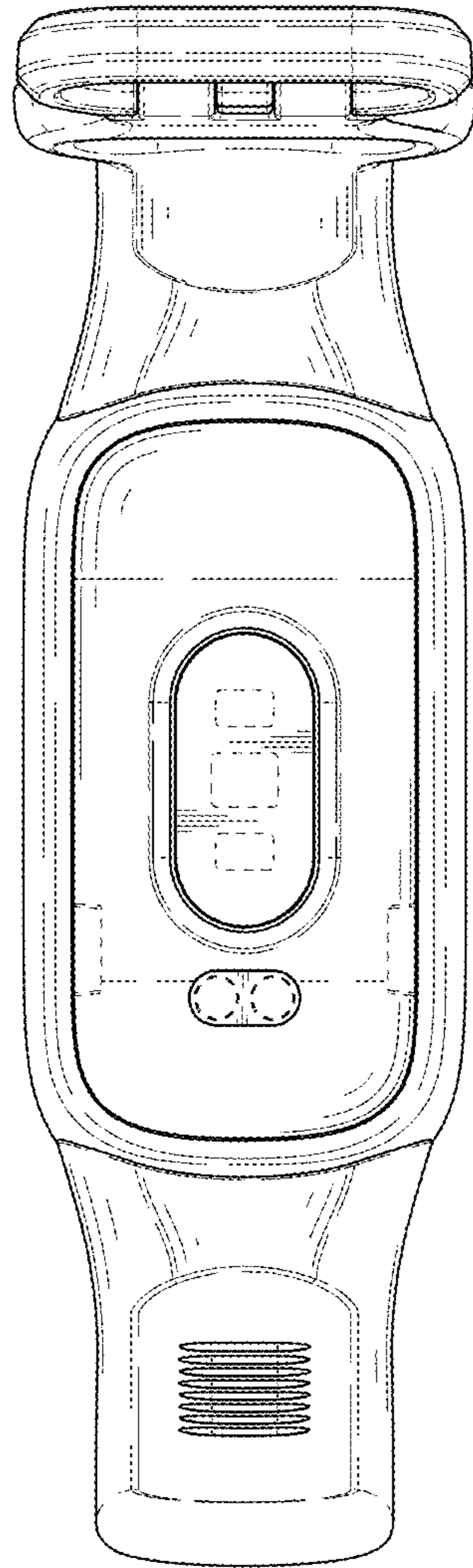


FIG. 4

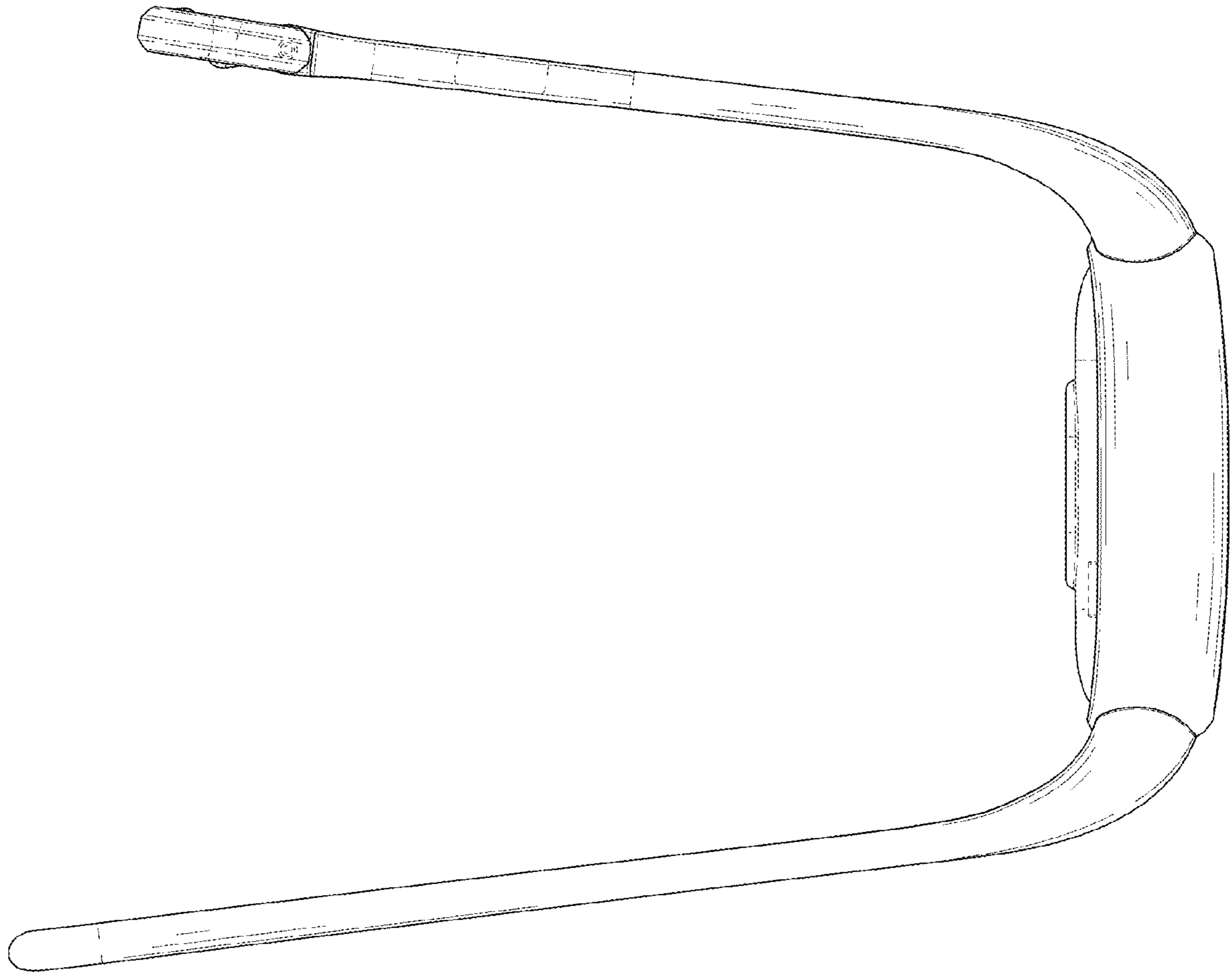


FIG. 5

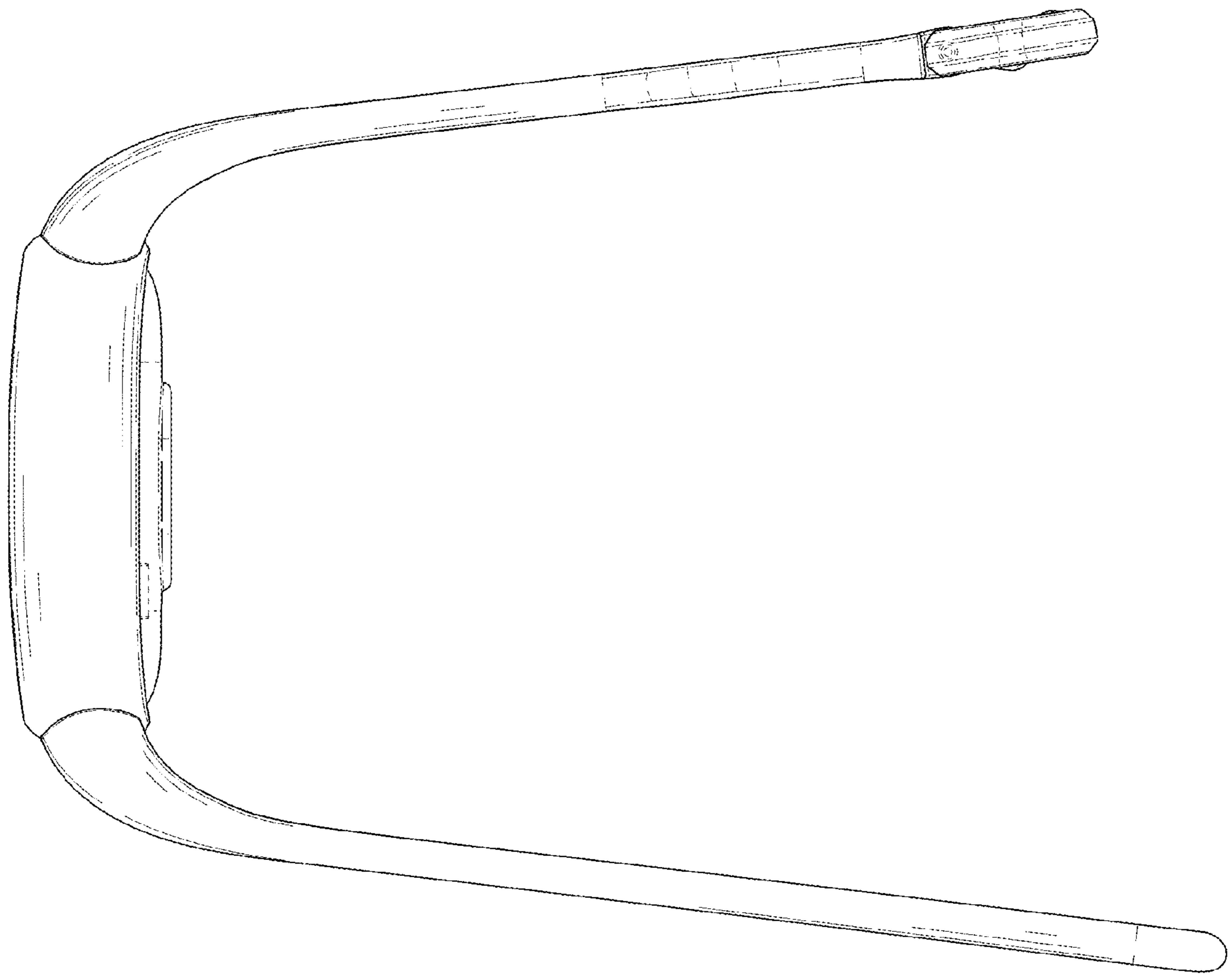


FIG. 6

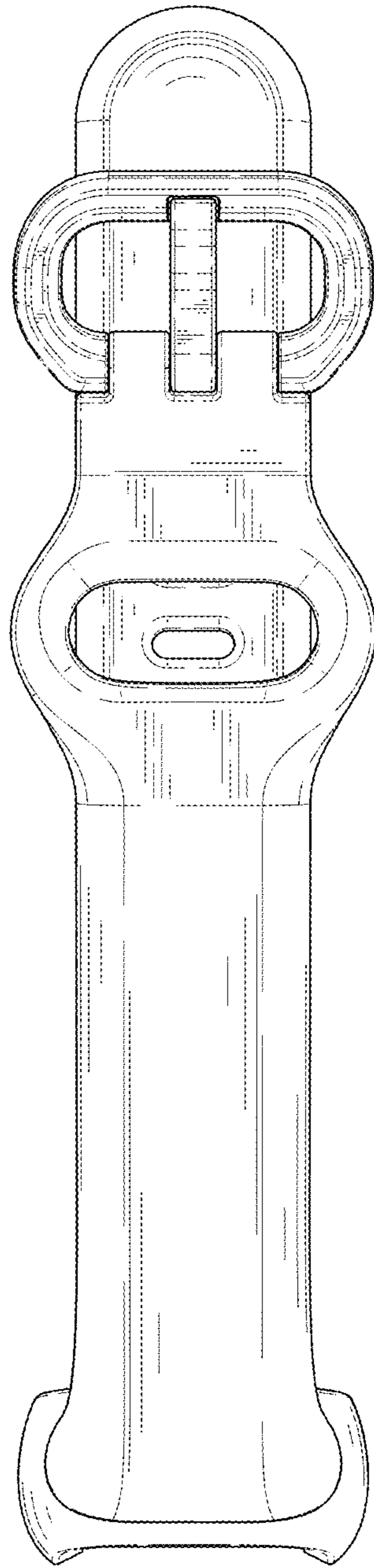


FIG. 7

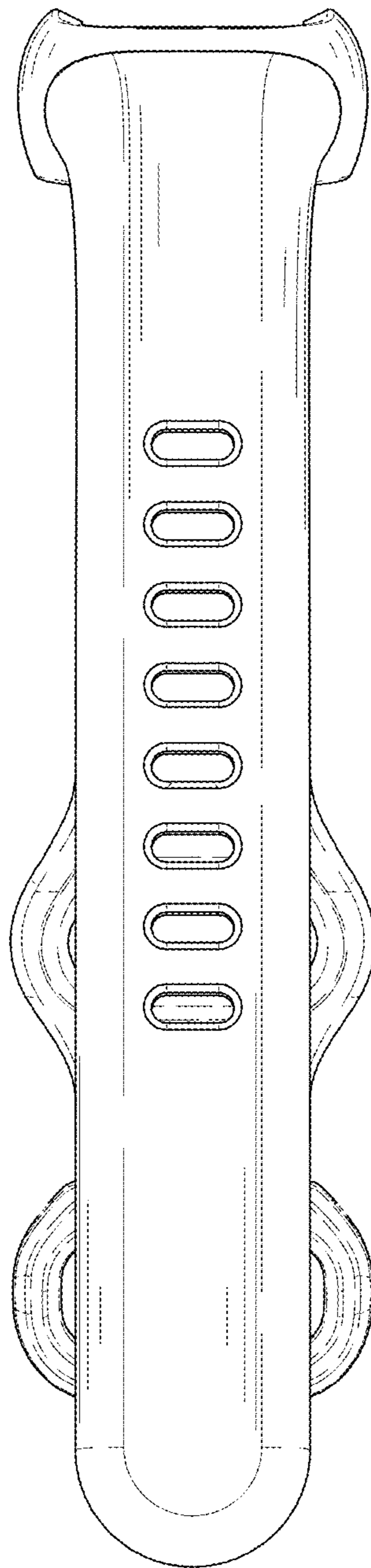


FIG. 8