



US00D958137S

(12) **United States Design Patent**
Akana et al.

(10) **Patent No.:** **US D958,137 S**
(45) **Date of Patent:** **** Jul. 19, 2022**

(54) **WEARABLE DEVICE**

(71) Applicant: **Apple Inc.**, Cupertino, CA (US)

(72) Inventors: **Jody Akana**, San Francisco, CA (US);
Bartley K. Andre, Palo Alto, CA (US);
Shota Aoyagi, San Francisco, CA (US);
Anthony Michael Ashcroft, San Francisco, CA (US);
Jeremy Bataillou, San Francisco, CA (US);
Daniel J. Coster, San Francisco, CA (US);
Daniele De Iuliis, San Francisco, CA (US);
M. Evans Hankey, San Francisco, CA (US);
Julian Hoenig, San Francisco, CA (US);
Richard P. Howarth, San Francisco, CA (US);
Jonathan P. Ive, San Francisco, CA (US);
Duncan Robert Kerr, San Francisco, CA (US);
Marc A. Newson, London (GB);
Matthew Dean Rohrbach, San Francisco, CA (US);
Peter Russell-Clarke, San Francisco, CA (US);
Benjamin Andrew Shaffer, San Jose, CA (US);
Mikael Silvano, San Francisco, CA (US);
Christopher J. Stringer, Woodside, CA (US);
Eugene Antony Whang, San Francisco, CA (US);
Rico Zörkendörfer, San Francisco, CA (US)

(73) Assignee: **Apple Inc.**, Cupertino, CA (US)

(**) Term: **15 Years**

(21) Appl. No.: **29/796,672**

(22) Filed: **Jun. 25, 2021**

Related U.S. Application Data

(63) Continuation of application No. 29/733,250, filed on Apr. 30, 2020, now Pat. No. Des. 923,622, which is a continuation of application No. 29/662,900, filed on Sep. 10, 2018, now Pat. No. Des. 883,976, which is a continuation of application No. 29/615,074, filed on

Aug. 25, 2017, now Pat. No. Des. 828,352, which is a continuation of application No. 29/583,454, filed on Nov. 4, 2016, now Pat. No. Des. 795,864, which is a continuation of application No. 29/499,082, filed on Aug. 11, 2014, now Pat. No. Des. 771,036.

(51) **LOC (13) CI.** **14-02**

(52) **U.S. CI.**
USPC **D14/344**

(58) **Field of Classification Search**

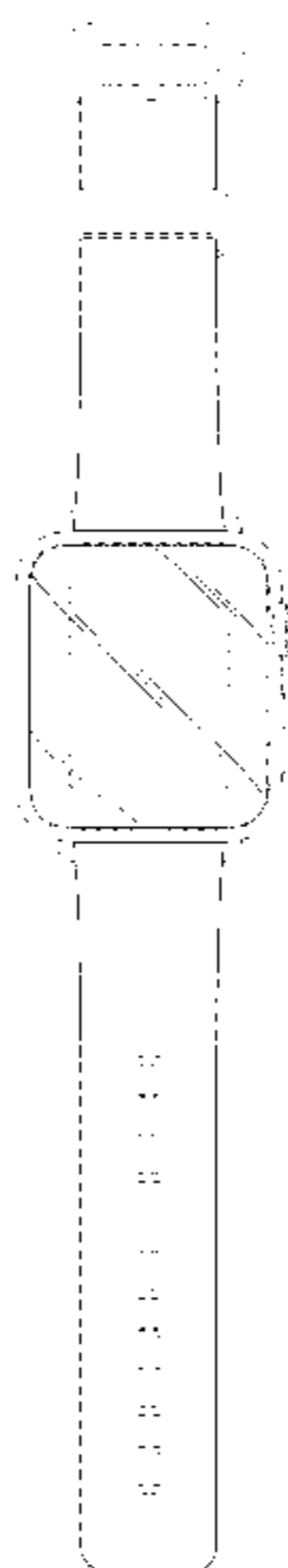
USPC .. D14/138 R, 144, 341, 344, 358, 388, 218;
D10/30-39, 70, 98; D11/3, 4, 26, 93-94,
D11/78.1, 79, 86; D24/167, 169,
D24/186-187, 164
CPC A41D 1/002; A41D 19/0034; G04G 17/00;
G04G 17/02; G04G 17/08; G04G 17/083;
G04G 17/086; G04C 3/00; G04C 3/001;
G04C 3/002; G04C 3/004; G04C 3/005;
G04C 3/007; G04C 17/00; G04C 23/02;
G04C 23/04; G04B 3/04; G04B 19/24;
G04B 19/26; G04B 37/00; G04B
45/0069; G04B 47/04; G04B 37/0008;
G04B 37/0058; G04B 37/12; G04B
37/18; G04B 45/00; G04B 47/00; G04B
47/042; G04B 47/06; G04B 47/063

See application file for complete search history.

(56) **References Cited**

U.S. PATENT DOCUMENTS

| | | |
|------------|---------|----------------------|
| D719,123 S | 12/2014 | Park et al. |
| D734,176 S | 7/2015 | Isaacs et al. |
| D745,005 S | 12/2015 | Kim et al. |
| D747,979 S | 1/2016 | Babcock et al. |
| D751,550 S | 3/2016 | Solomon et al. |
| D759,725 S | 6/2016 | Akana et al. |
| D765,072 S | 8/2016 | Kwon |
| D765,655 S | 9/2016 | Tao |
| D771,036 S | 11/2016 | Akana et al. |
| D781,171 S | 3/2017 | Akana et al. |
| D810,945 S | 2/2018 | Wimmer |
| D813,695 S | 3/2018 | Nielsen et al. |
| D826,933 S | 8/2018 | Lee et al. |
| D826,934 S | 8/2018 | Lee et al. |
| D839,753 S | 2/2019 | Domke et al. |
| D842,724 S | 3/2019 | Vandenbussche et al. |
| D843,864 S | 3/2019 | Vandenbussche et al. |



| | | | | | |
|------------|---------|----------------------|----|----------------|---------|
| D855,813 S | 8/2019 | Hu | EM | 007379292-0001 | 12/2019 |
| D861,679 S | 10/2019 | Riot et al. | EM | 007774831-0001 | 3/2020 |
| D865,759 S | 11/2019 | Haranaka et al. | EM | 007826896-0001 | 4/2020 |
| D869,462 S | 12/2019 | Ke | EM | 008051403-0001 | 7/2020 |
| D895,614 S | 9/2020 | Vandenbussche et al. | GB | 6002640 | 11/2016 |
| D895,615 S | 9/2020 | Vandenbussche et al. | KR | 301103345.0000 | 4/2021 |
| D897,867 S | 10/2020 | Wright et al. | | | |
| D899,273 S | 10/2020 | Wright et al. | | | |
| D900,809 S | 11/2020 | Gao | | | |
| D900,810 S | 11/2020 | Ke | | | |
| D900,813 S | 11/2020 | Akana et al. | | | |
| D902,769 S | 11/2020 | Riot et al. | | | |
| D909,225 S | 2/2021 | Riot et al. | | | |
| D914,678 S | 3/2021 | Zheng | | | |
| D915,398 S | 4/2021 | Yu et al. | | | |
| D923,622 S | 6/2021 | Akana et al. | | | |

FOREIGN PATENT DOCUMENTS

| | | |
|----|----------------|---------|
| CN | 303264413 | 7/2015 |
| CN | 303451164 | 11/2015 |
| CN | 303518904 | 12/2015 |
| CN | 303530229 | 12/2015 |
| CN | 303530259 | 12/2015 |
| CN | 303561572 | 1/2016 |
| CN | 303584224 | 2/2016 |
| CN | 303584225 | 2/2016 |
| CN | 303584226 | 2/2016 |
| CN | 303590277 | 2/2016 |
| CN | 303603787 | 3/2016 |
| CN | 303646407 | 4/2016 |
| CN | 303646436 | 4/2016 |
| CN | 303754165 | 7/2016 |
| CN | 303814683 | 8/2016 |
| CN | 303824217 | 8/2016 |
| CN | 303986123 | 12/2016 |
| CN | 304150294 | 5/2017 |
| CN | 304348674 | 11/2017 |
| CN | 304498230 | 2/2018 |
| CN | 304571127 | 4/2018 |
| CN | 304612355 | 5/2018 |
| CN | 304782979 | 8/2018 |
| CN | 304897883 | 11/2018 |
| CN | 305140367 | 5/2019 |
| CN | 305290430 | 8/2019 |
| CN | 305406999 | 10/2019 |
| CN | 305417829 | 11/2019 |
| CN | 305478017 | 12/2019 |
| CN | 305550938 | 1/2020 |
| CN | 305580104 | 1/2020 |
| CN | 305602354 | 2/2020 |
| CN | 305653981 | 3/2020 |
| CN | 305723186 | 4/2020 |
| CN | 305773114 | 5/2020 |
| CN | 305788642 | 5/2020 |
| CN | 305788661 | 5/2020 |
| CN | 305902940 | 7/2020 |
| CN | 305927105 | 7/2020 |
| CN | 306070687 | 9/2020 |
| CN | 306117469 | 10/2020 |
| CN | 306301962 | 1/2021 |
| CN | 306389859 | 3/2021 |
| CN | 306449808 | 4/2021 |
| CN | 306468239 | 4/2021 |
| CN | 306468448 | 4/2021 |
| CN | 306548984 | 5/2021 |
| EM | 006458071-0001 | 5/2019 |

OTHER PUBLICATIONS

Apple Watch Series 6, apple.com, available at least as early as Sep. 15, 2020. <<https://web.archive.org/web/20200915180636/https://www.apple.com/shop/buy-watch/apple-watch>>.

Fitbit Versa 2, fitbit.com, available at least as early as May 31, 2021. <<https://www.fitbit.com/global/us/products/smartwatches/versa?sku=507BKBK>>.

Boat Storm Smart Watch, boat-lifestyle.com, available at least as early as May 31, 2021. <https://www.boat-lifestyle.com/products/storm-smartwatch?variant=32003449749602¤cy=INR&utm_source=google&utm_medium=shopping&utm_campaign=11364270664&utm_product=shopify_IN_4514977972322_32003449749602&gclid=EAlalQobChMlhqDy9NTz8AIV7tpMAh3aMwu2EAQYAiABEgJoQvD_BwE>.

OPPO Watch 41 mm WiFi Smartwatch, Flipkart, available at least as early as May 31, 2021. <https://www.flipkart.com/oppo-watch-41-mm-wifi-smartwatch/p/itm10a8887d7a03b?pid=SMWUFU2FS7ZWSRBMV&lid=LSTSMWUFU2FS7ZWSRBMVNFSOCF&marketplace=FLIPKART&cmpid=content_smartwatch_12884797849_u_8965229628_gmc_pla&tgi=sem,1,G,11214002,u,,,517829293436,,,c,,,,,&ef_id=EAlalQobChMlhMG8vdXz8AIVI3wrCh0GSQWDEAQYB-CABEgJRafD_BwE:G:s&s_kwcid=AL!739!3!517829293436!!!u!293946777986!&gclid=EAlalQobChMlhMG8vdXz8AIVI3wrCh0GSQWDEAQYBC-ABEgJRafD_BwE>.

Primary Examiner — Calvin E Vansant
(74) *Attorney, Agent, or Firm* — Sterne, Kessler, Goldstein & Fox P.L.L.C.

(57) **CLAIM**

The ornamental design for a wearable device, as shown and described.

DESCRIPTION

FIG. 1 is a front view of a wearable device showing the claimed design;

FIG. 2 is a rear view thereof;

FIG. 3 is a right side view thereof;

FIG. 4 is a left side view thereof;

FIG. 5 is a top view thereof; and,

FIG. 6 is a bottom view thereof.

The oblique shade lines in the figures show transparency or translucency.

The broken lines in the figures show portions of the wearable device that form no part of the claimed design.

1 Claim, 4 Drawing Sheets

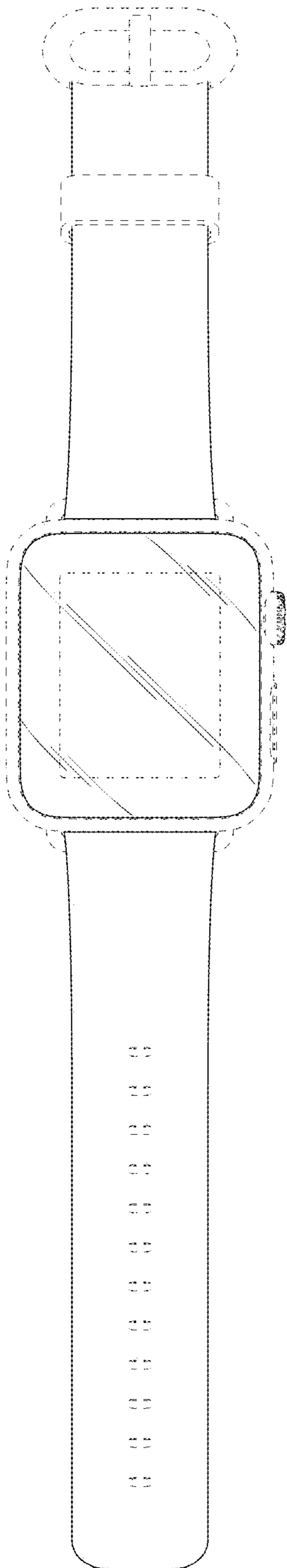


FIG. 1

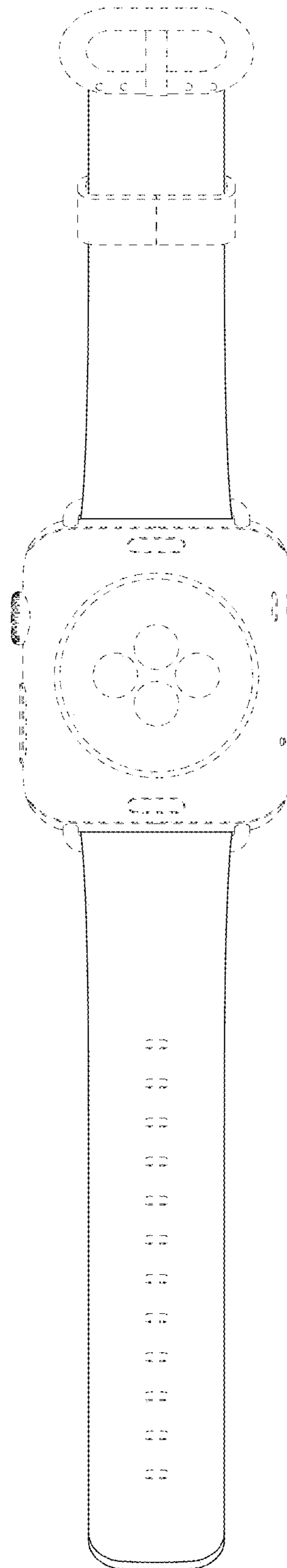


FIG. 2

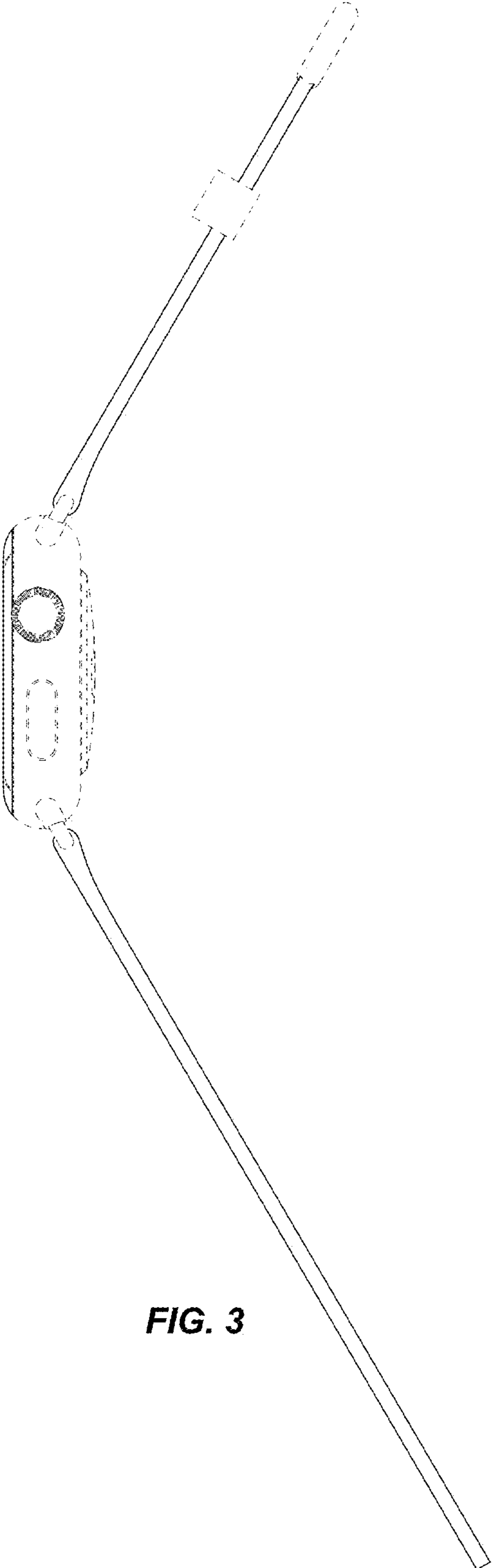


FIG. 3

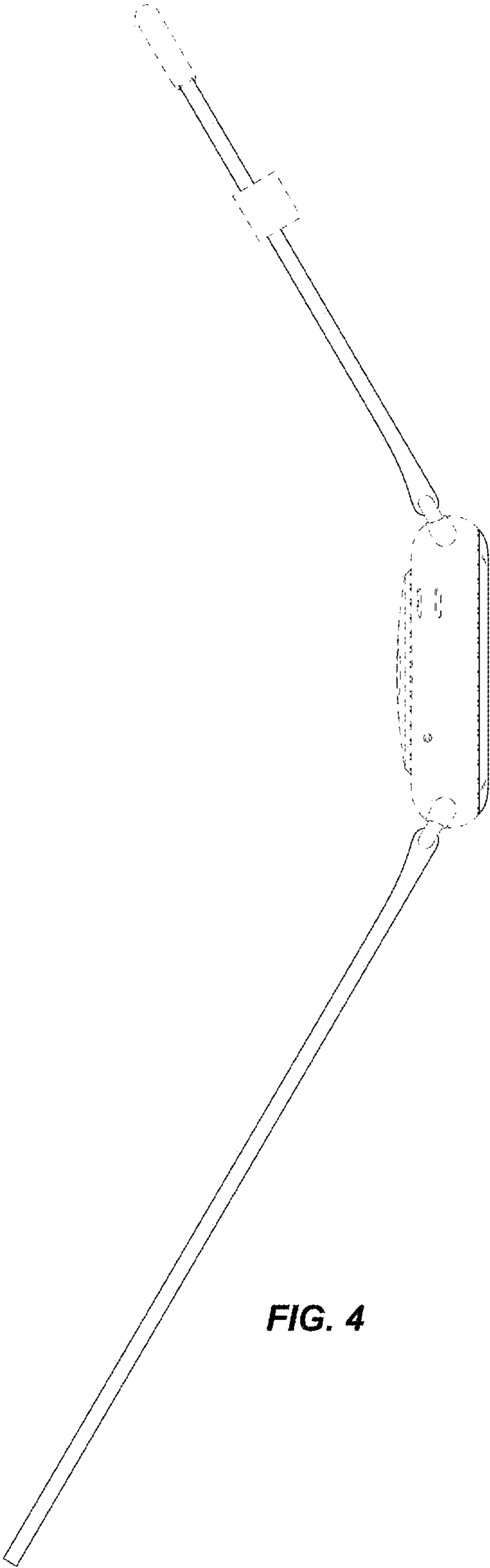


FIG. 4

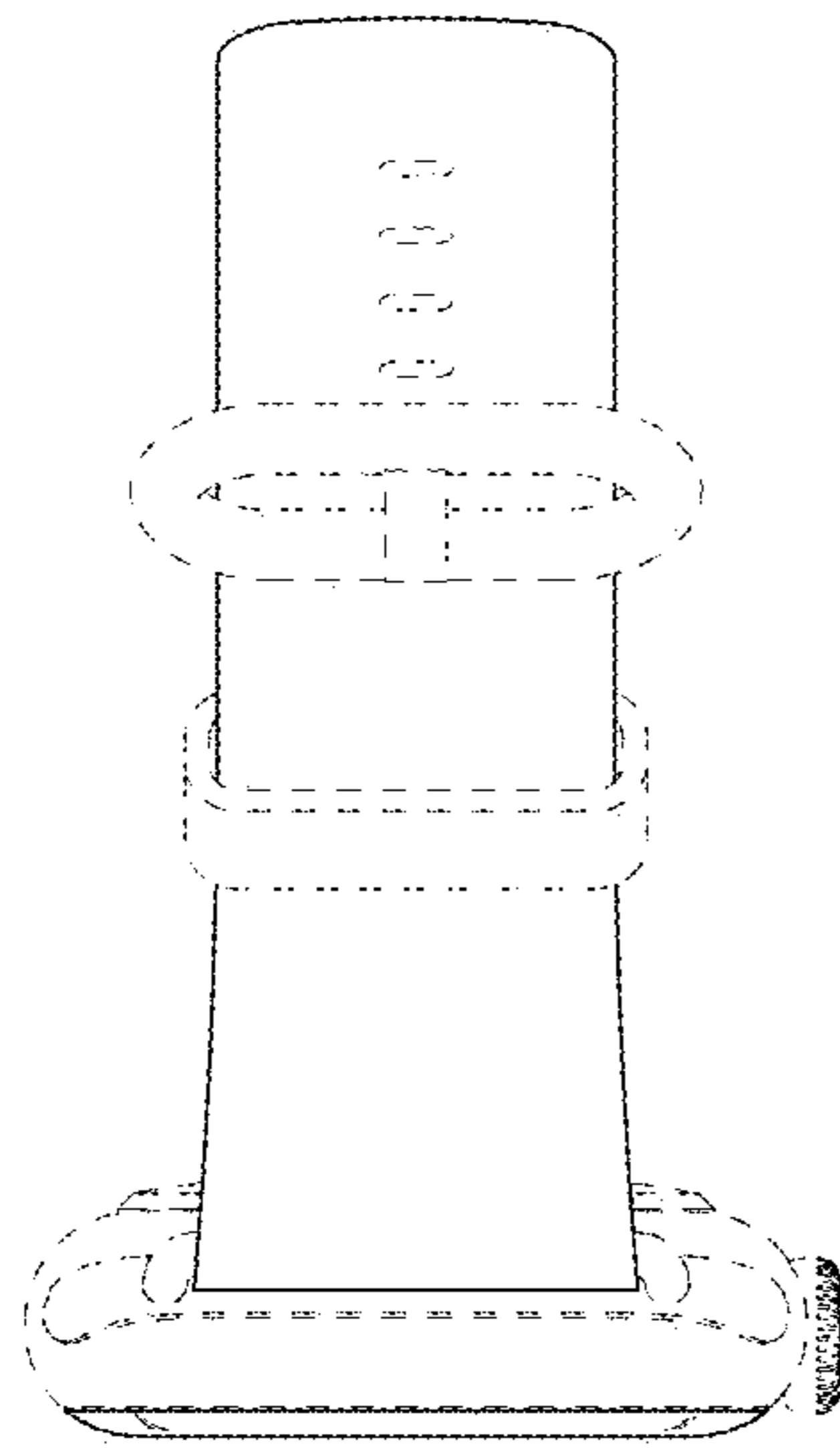


FIG. 5

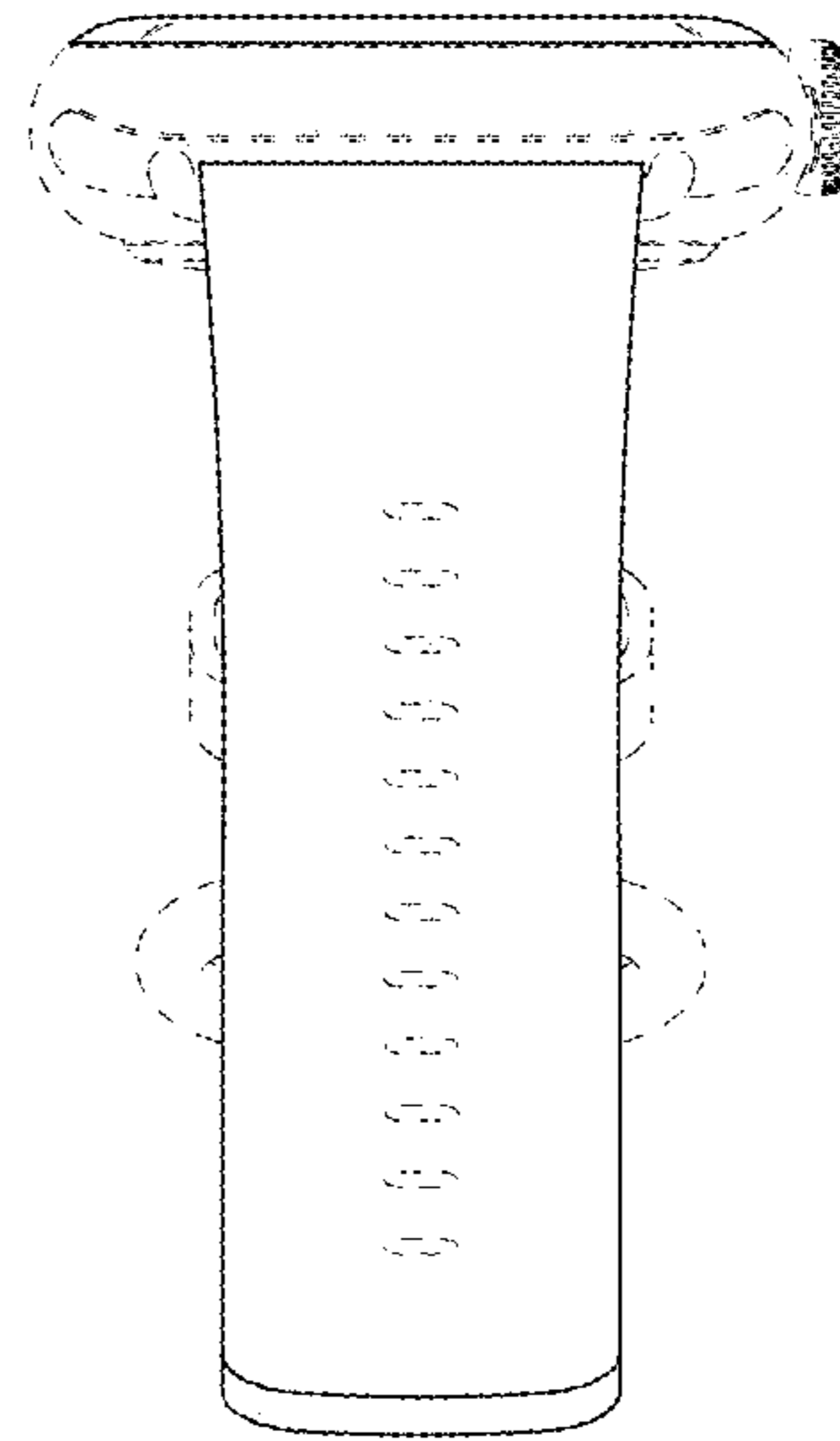


FIG. 6