



US00D958133S

(12) **United States Design Patent**
Huang

(10) **Patent No.:** **US D958,133 S**
(45) **Date of Patent:** **** Jul. 19, 2022**

(54) **PHONE AND TABLET HOLDER**

(71) Applicant: **Kaiquan Huang**, Huangshi (CN)

(72) Inventor: **Kaiquan Huang**, Huangshi (CN)

(**) Term: **15 Years**

(21) Appl. No.: **29/791,312**

(22) Filed: **Jan. 7, 2022**

(51) **LOC (13) Cl.** **14-03**

(52) **U.S. Cl.**
USPC **D14/253**; D12/415; D14/447

(58) **Field of Classification Search**
USPC D14/250-253, 440, 447; D12/415;
D3/218

CPC H04M 1/04; B60R 11/0241; A45F
2200/0516; A45F 2200/0525

See application file for complete search history.

(56) **References Cited**

U.S. PATENT DOCUMENTS

D614,613 S *	4/2010	Kim	D14/253
D626,541 S *	11/2010	Kim	D14/253
D673,803 S *	1/2013	Paron	D6/611
D685,804 S *	7/2013	Richter	D14/447
D711,867 S *	8/2014	Harris	D14/253
D715,790 S *	10/2014	Conomos	D8/355
D715,791 S *	10/2014	Yu	D14/253
D720,759 S *	1/2015	Deng	D14/447
D724,072 S *	3/2015	Jiang	D14/447
D733,115 S *	6/2015	Aspinall	D14/253
D744,473 S *	12/2015	Tsai	D14/251
D753,643 S *	4/2016	Kim	D14/253
D757,705 S *	5/2016	Esses	D14/251
D765,651 S *	9/2016	Liu	D14/447
D767,556 S *	9/2016	Lee	D12/415
D768,125 S *	10/2016	Kim	D14/253
D769,860 S *	10/2016	Xiao	D14/253
D780,168 S *	2/2017	Du	D14/253
D783,012 S *	4/2017	Lee	D14/253
D811,412 S	2/2018	McCurdy	

D823,846 S *	7/2018	Chen	D14/251
D826,225 S *	8/2018	Chen	D14/253
D828,865 S *	9/2018	Zeng	D16/242
D829,724 S *	10/2018	Chun	D14/447
D831,660 S *	10/2018	Yao	D14/447
D840,994 S *	2/2019	Balmer	D14/253
D840,995 S *	2/2019	Balmer	D14/253
D842,850 S *	3/2019	Tang	D14/253
D845,960 S *	4/2019	Yao	D14/447
D854,006 S *	7/2019	Wang	D14/253

(Continued)

OTHER PUBLICATIONS

Lamicall Car Tablet Holder, Amazon, Jun. 1, 2020. <https://www.amazon.com/dp/B089K5NSYF/ref=cm_sw_em_r_mt_dp_FWN9ZD8FTJSB7A4VGGFN> (Year: 2020).*

(Continued)

Primary Examiner — Janice Hallmark

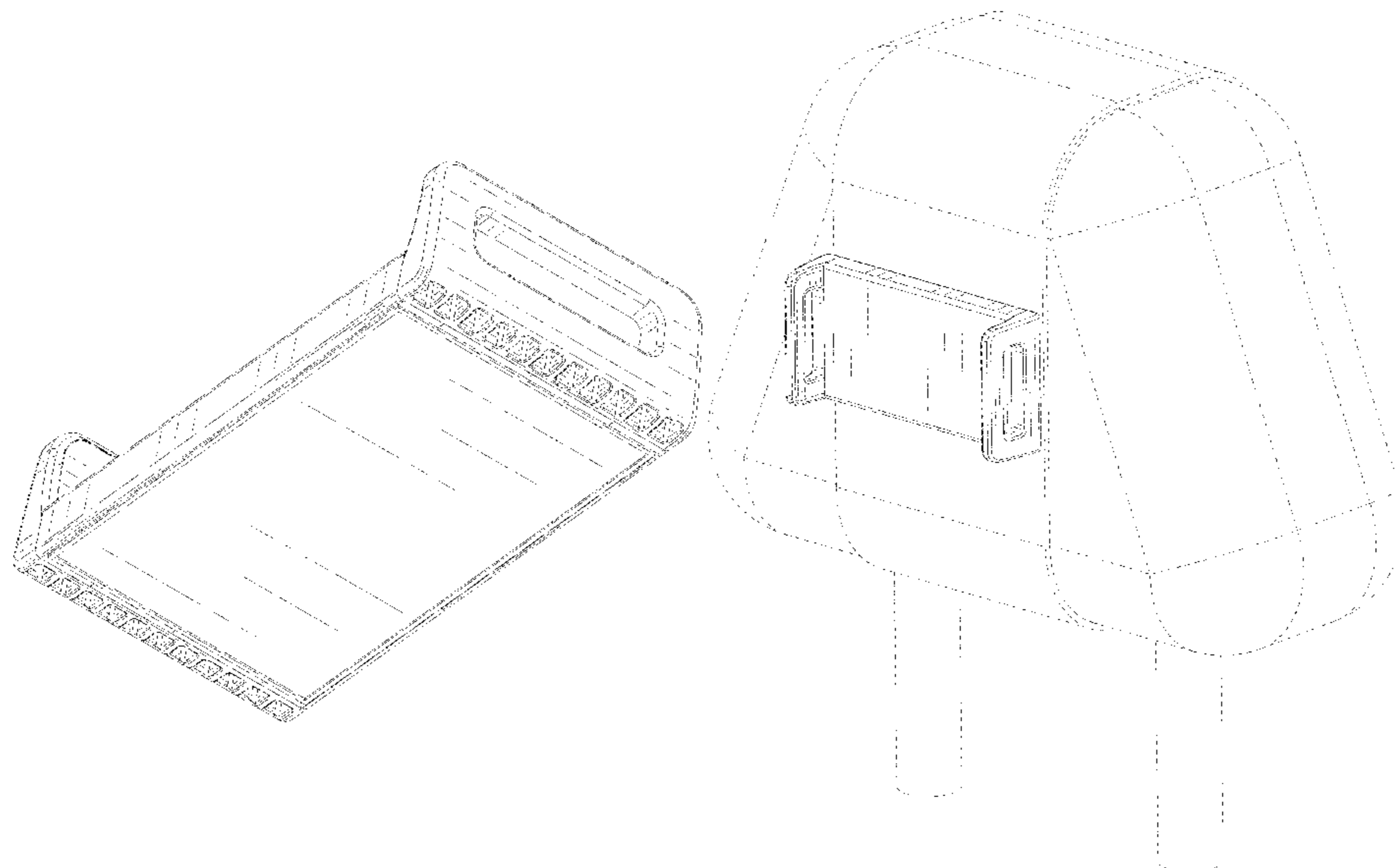
(57) **CLAIM**

The ornamental design for a phone and tablet holder, as shown and described.

DESCRIPTION

FIG. 1 is a perspective view of a phone and tablet holder, showing my new design;
FIG. 2 is another perspective view thereof;
FIG. 3 is a perspective view thereof, showing the phone and tablet holder in an environment of use;
FIG. 4 is a front view thereof;
FIG. 5 is a rear view thereof;
FIG. 6 is a left side view thereof;
FIG. 7 is a right side view thereof;
FIG. 8 is a top plan view thereof; and,
FIG. 9 is a bottom plan view thereof.
The broken lines illustrate environmental subject matter only and form no part of the claimed design.

1 Claim, 9 Drawing Sheets



(56)

References Cited

U.S. PATENT DOCUMENTS

D868,054	S	*	11/2019	Kim	D12/415
D877,233	S	*	3/2020	Li	D14/253
D879,753	S	*	3/2020	Boggs	D14/230
D881,182	S	*	4/2020	Zhang	D14/253
D886,094	S	*	6/2020	Xu	D14/253
D898,017	S		10/2020	Zhang et al.		
D902,217	S		11/2020	Zhang et al.		
D907,027	S	*	1/2021	Halpern	D14/253
D915,388	S	*	4/2021	Carlsen	D14/251
D915,389	S	*	4/2021	Lin	D14/253
D934,234	S	*	10/2021	Deng	D14/447
D940,124	S	*	1/2022	Bae	D14/253
D941,285	S	*	1/2022	Chang	D14/447
D950,880	S	*	5/2022	Shi	D34/10
2012/0312847	A1	*	12/2012	LaColla	B60R 11/02 224/275
2021/0001760	A1	*	1/2021	Cotterell	B60N 2/879

OTHER PUBLICATIONS

Lamicall CarTablet Headrest Holder, Amazon, Jan. 25, 2018. <https://www.amazon.com/dp/B0798L21C7/ref=cm_sw_em_r_mt_dp_1TYHFTENNYGQ3GSKYB6S> (Year: 2018).*

* cited by examiner

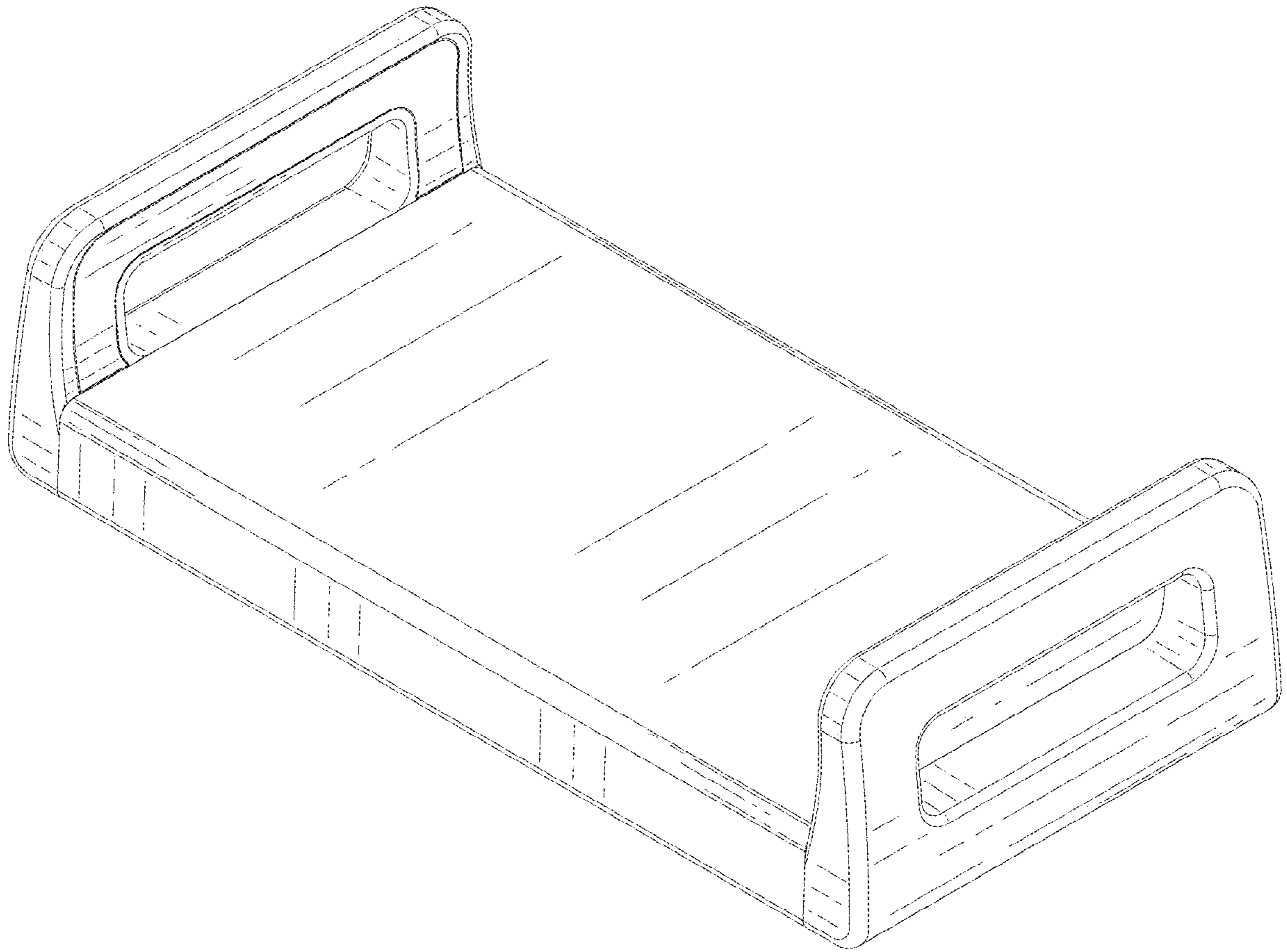


FIG. 1

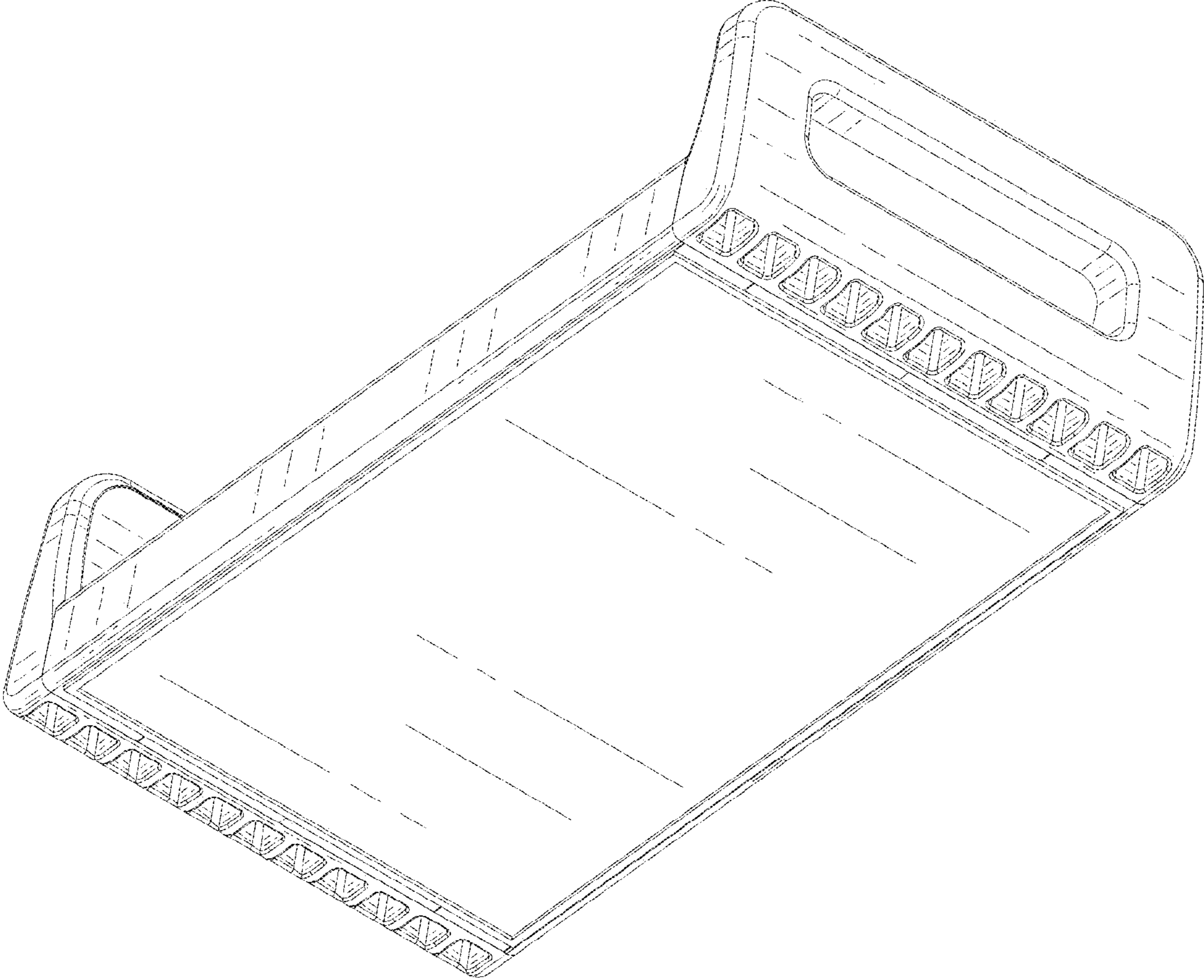


FIG. 2

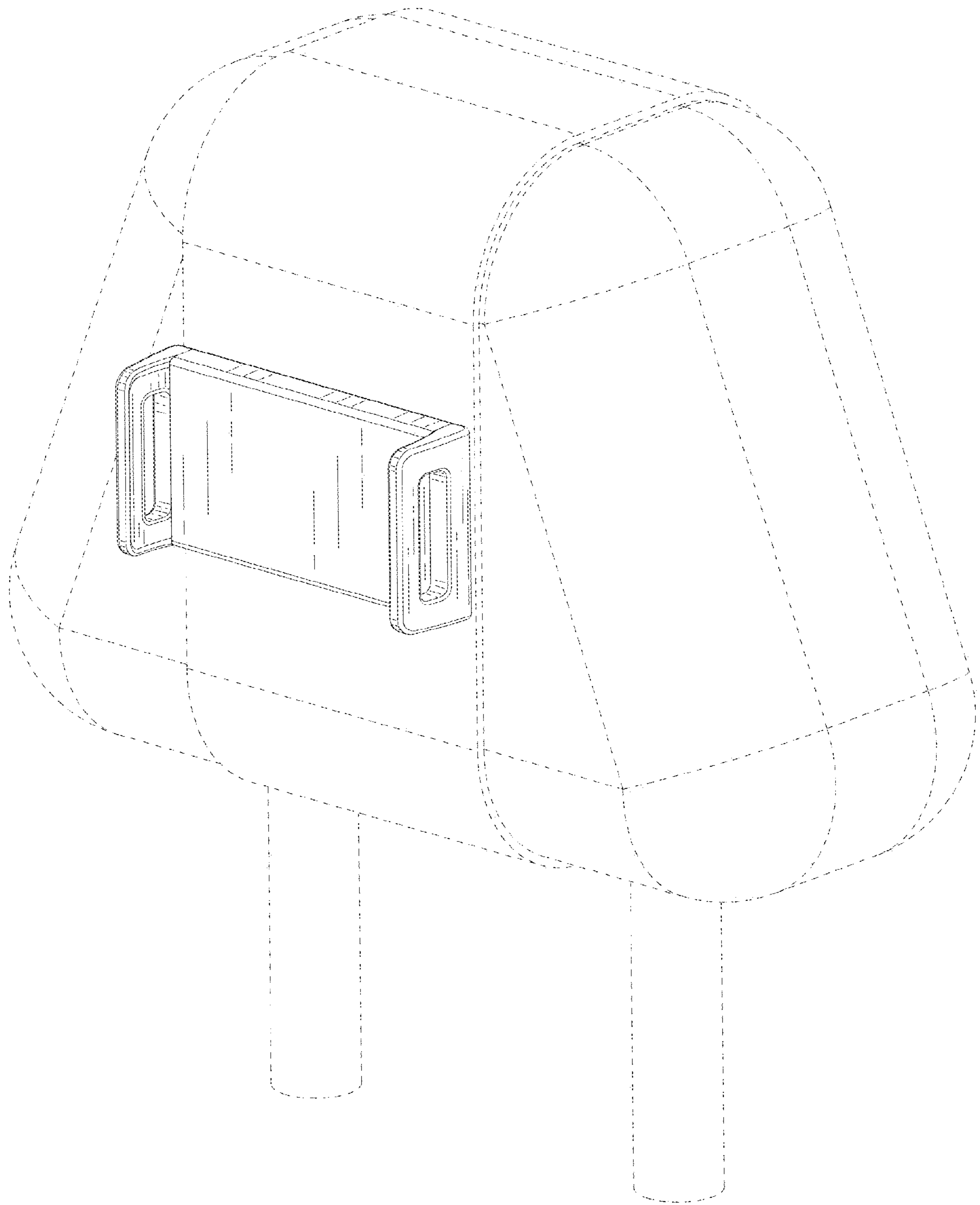


FIG. 3

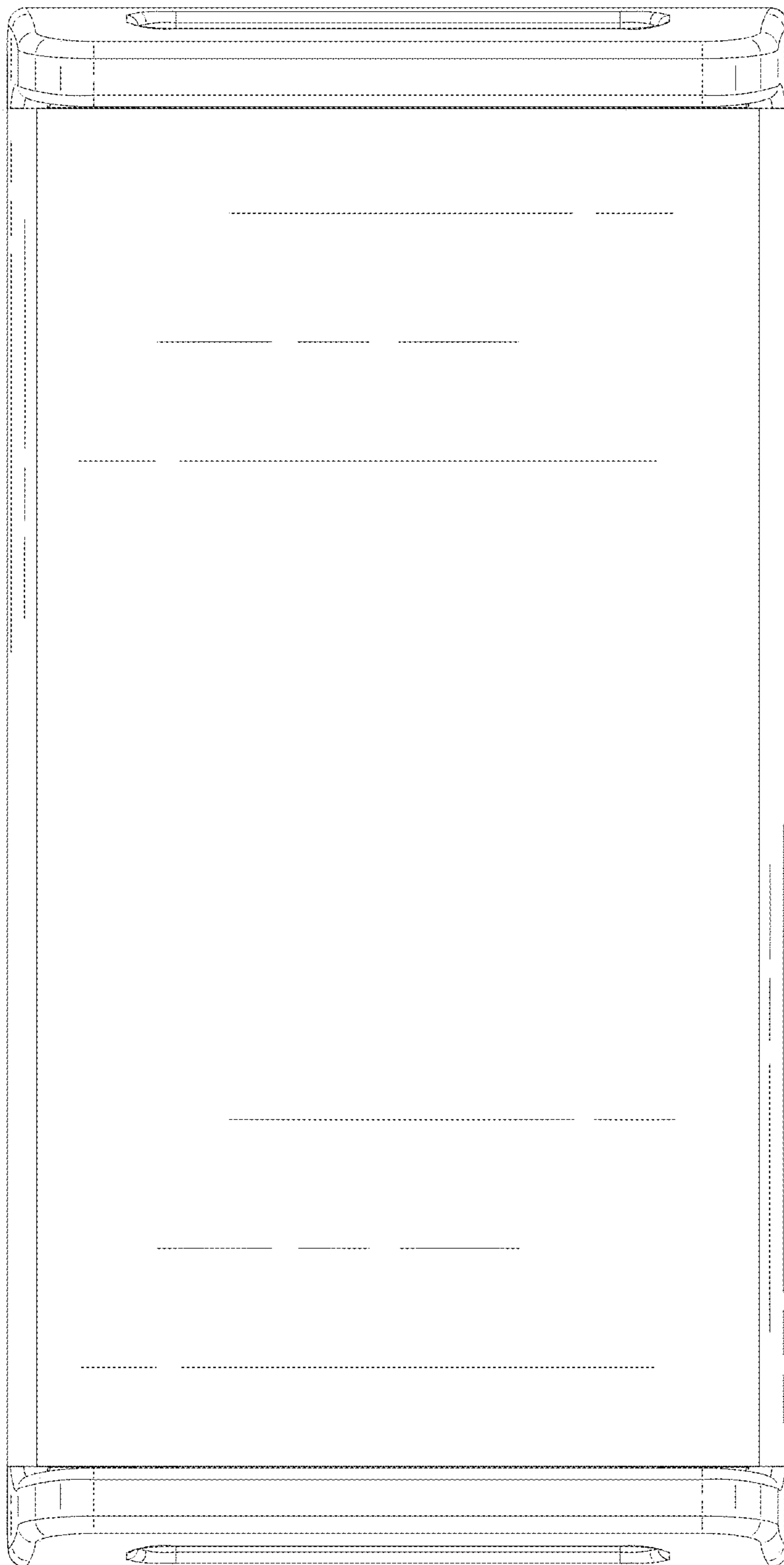


FIG. 4

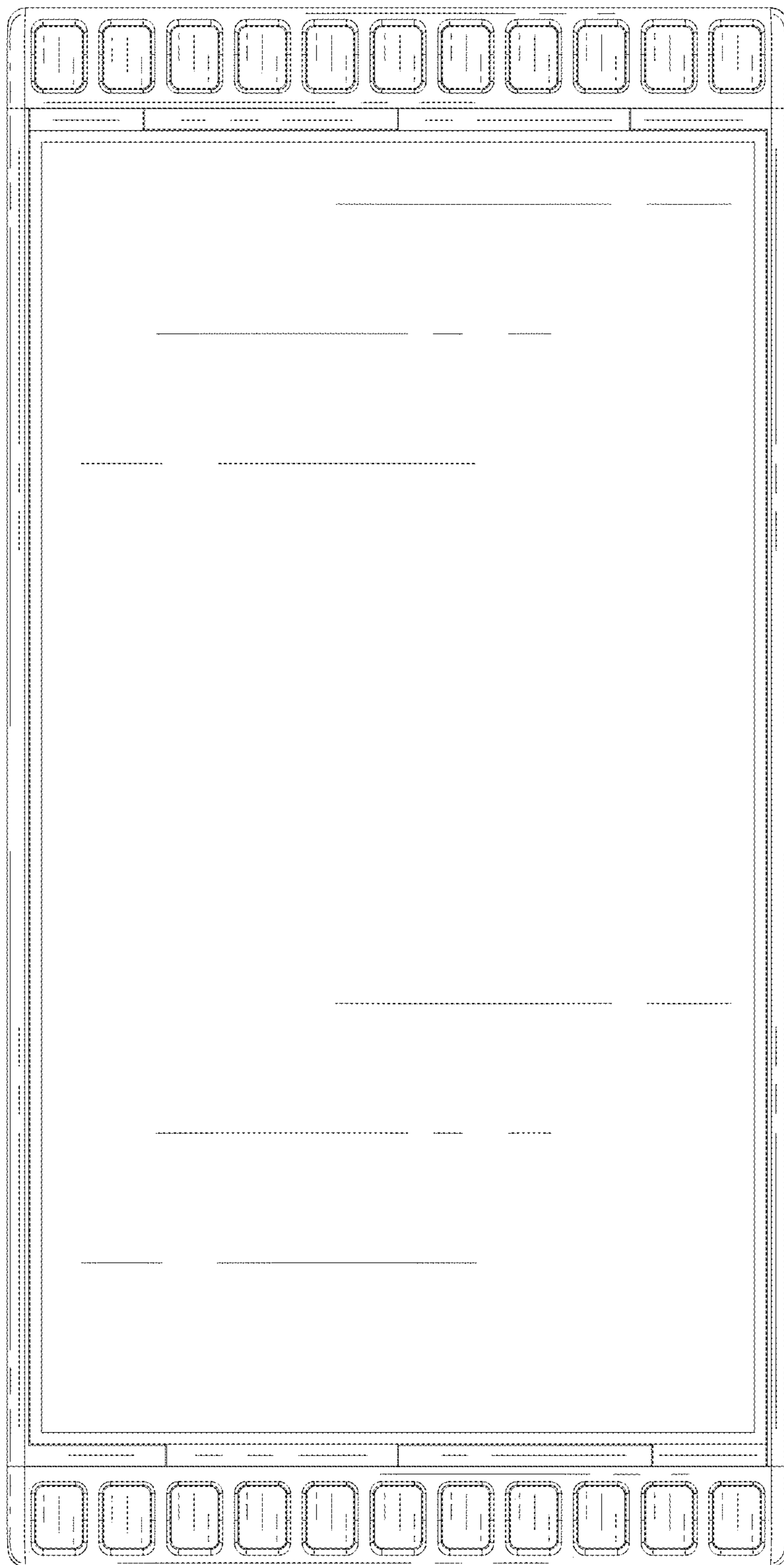


FIG. 5

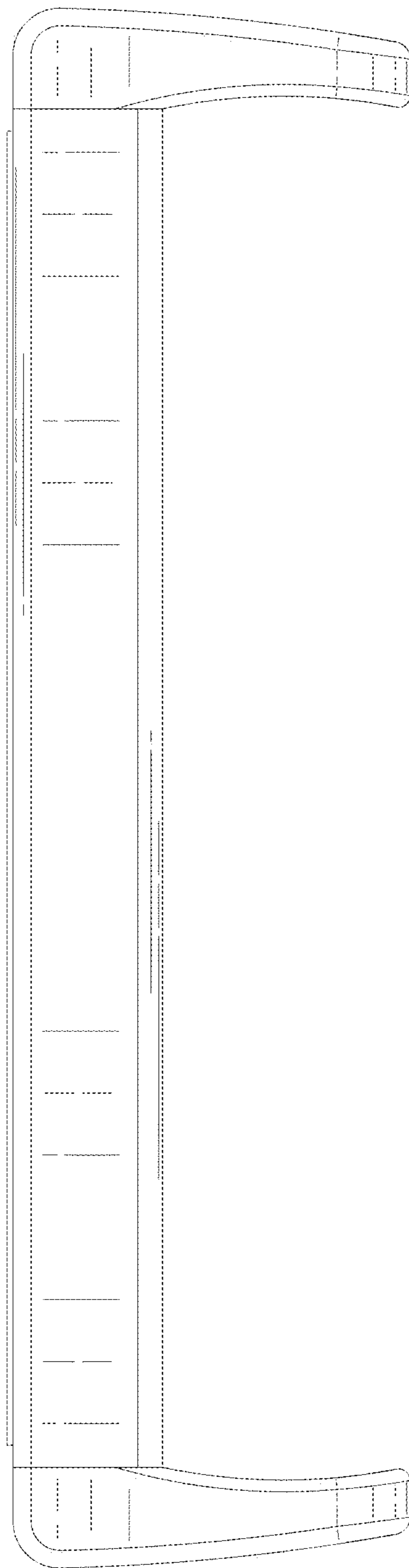


FIG. 6

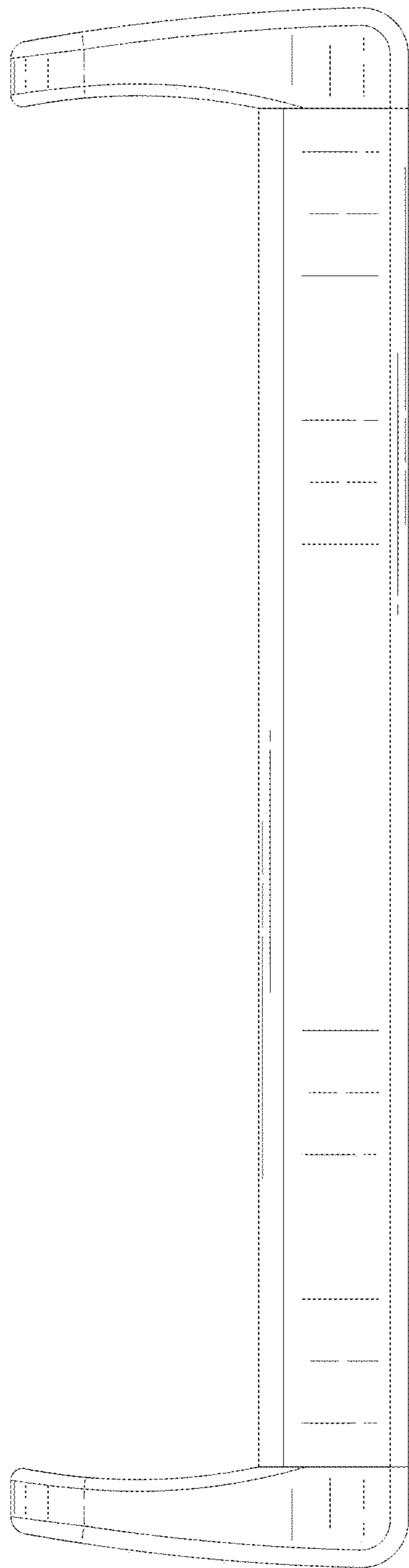


FIG. 7

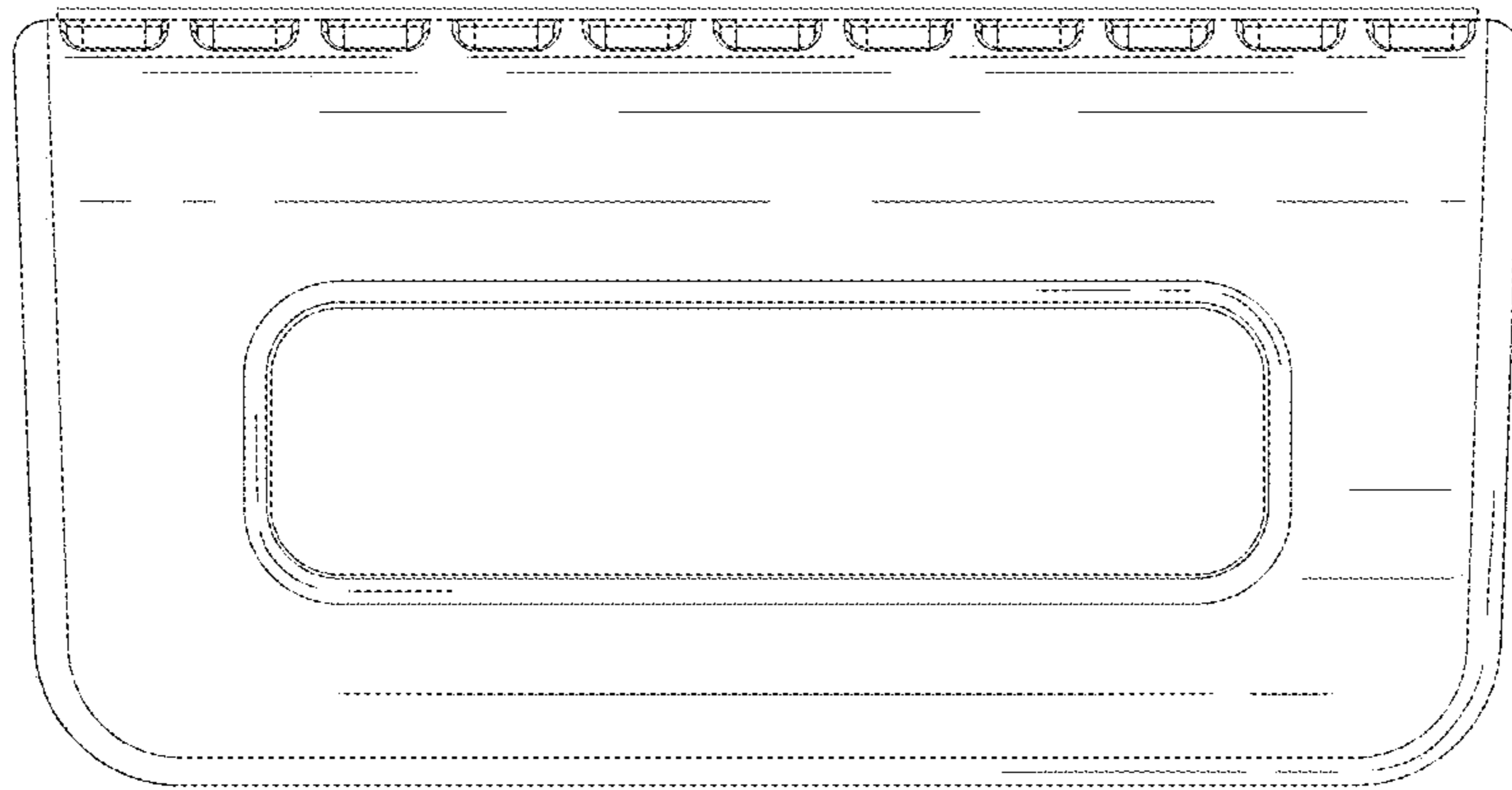


FIG. 8

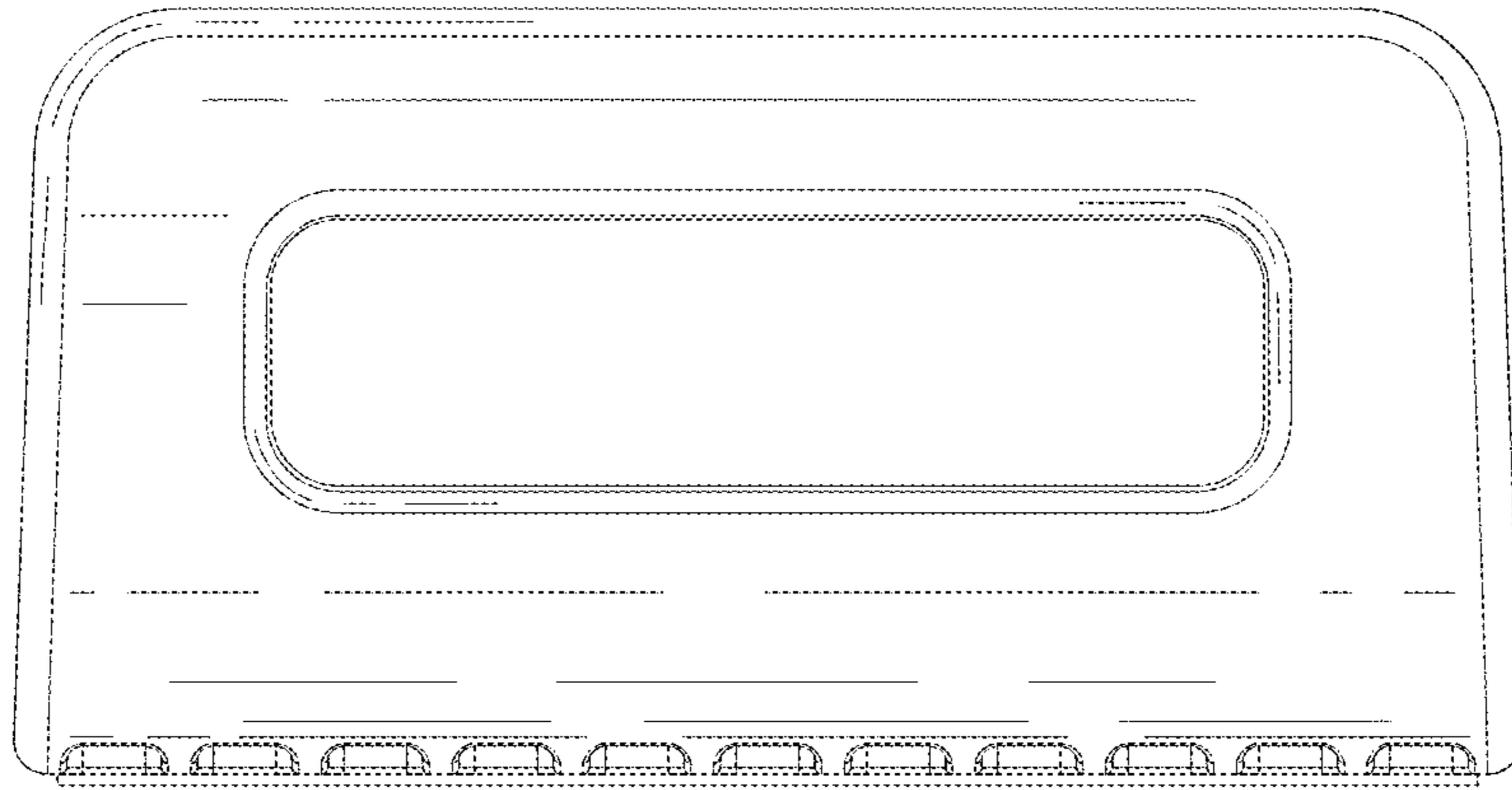


FIG. 9