

US00D958132S

(12) **United States Design Patent** (10) **Patent No.:** **US D958,132 S**
Karis et al. (45) **Date of Patent:** **** Jul. 19, 2022**

- (54) **ELECTRONIC DEVICE CARRYING CASE**
- (71) Applicant: **Karis and Drake, LLC**, Los Angeles, CA (US)
- (72) Inventors: **Colleen Karis**, Los Angeles, CA (US); **Maggie Drake**, Los Angeles, CA (US)
- (73) Assignee: **Karis and Drake, LLC**, Los Angeles, CA (US)
- (**) Term: **15 Years**
- (21) Appl. No.: **29/710,999**
- (22) Filed: **Oct. 28, 2019**

Related U.S. Application Data

- (63) Continuation of application No. 29/625,799, filed on Nov. 13, 2017, now Pat. No. Des. 864,942, which is a continuation of application No. 29/572,931, filed on Aug. 1, 2016, now Pat. No. Des. 803,207, which is a continuation of application No. 29/532,613, filed on Jul. 8, 2015, now Pat. No. Des. 762,632, which is a continuation of application No. 29/459,564, filed on Jul. 1, 2013, now Pat. No. Des. 736,196.
- (51) **LOC (13) Cl.** **14-03**
- (52) **U.S. Cl.**
USPC **D14/250**
- (58) **Field of Classification Search**
USPC D14/250–253, 440, 203.3–203.7, 217, D14/496, 248, 238.1, 240, 447; D3/201, D3/218, 269, 301, 273, 303; D13/103, D13/107–108
CPC . A45C 2011/002; A45C 11/00; A45C 13/002; A45C 2011/003; H04M 1/0283; H04M 1/0202

See application file for complete search history.

- (56) **References Cited**
U.S. PATENT DOCUMENTS
- D649,539 S * 11/2011 Hong D14/250
- D674,798 S * 1/2013 Kim D14/440
- D678,871 S * 3/2013 Mishan D14/250
- D679,694 S * 4/2013 Fahrendorff D14/250
- D686,606 S * 7/2013 Hong D14/250
- D686,607 S * 7/2013 Hong D14/250
- D755,771 S * 5/2016 Norma D14/250
- D776,100 S * 1/2017 Igarashi D14/250
- D777,152 S * 1/2017 Kim D14/250
- D787,497 S * 5/2017 Friedland D14/250
- D800,711 S * 10/2017 Kim D14/250
- D810,729 S * 2/2018 Ballou D14/250
- D823,289 S * 7/2018 Akana D14/250

(Continued)

Primary Examiner — Holly E Thurman
(74) *Attorney, Agent, or Firm* — K&L Gates LLP

- (57) **CLAIM**
The ornamental design for an electronic device carrying case, as shown and described.

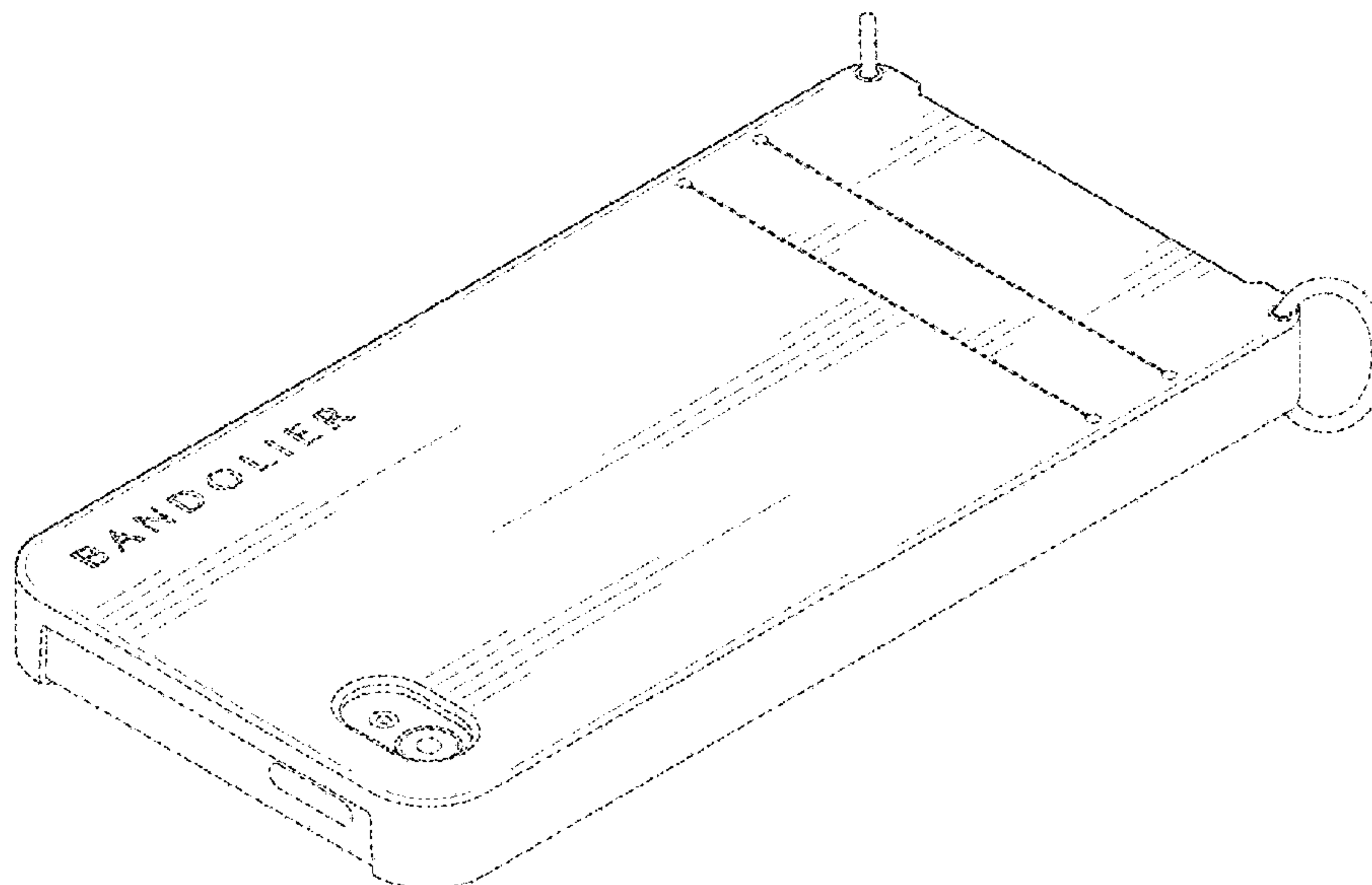
DESCRIPTION

FIG. 1 is a back view of an electronic device carrying case showing our new design, in which the case is shown on a smaller scale;
 FIG. 2 is a perspective view thereof;
 FIG. 3 is a back view thereof;
 FIG. 4 is a front view thereof;
 FIG. 5 is a first end view thereof;
 FIG. 6 is a second end view thereof;
 FIG. 7 is a first side view thereof; and,
 FIG. 8 is a second side view thereof.

The unshaded surfaces that are visible through the openings and the broken lines on the unshaded surfaces depict an unclaimed electronic device.

All other broken lines depict unclaimed portions of the electronic device carrying case and unclaimed environment and form no part of the claimed design.

1 Claim, 5 Drawing Sheets



(56)

References Cited

U.S. PATENT DOCUMENTS

D825,542 S * 8/2018 Wikstrom D14/250
D839,256 S * 1/2019 Kim D14/250

* cited by examiner

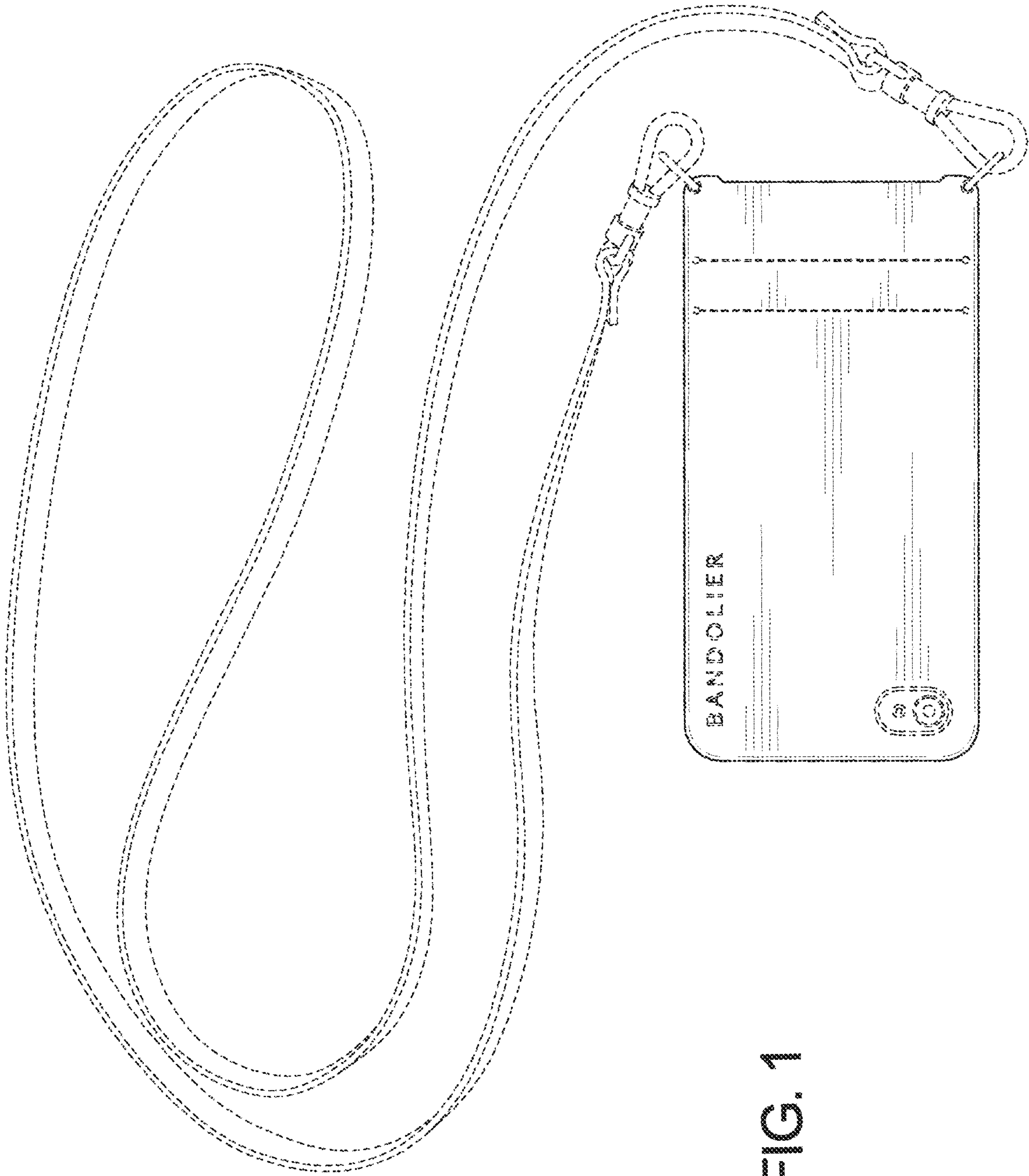


FIG. 1

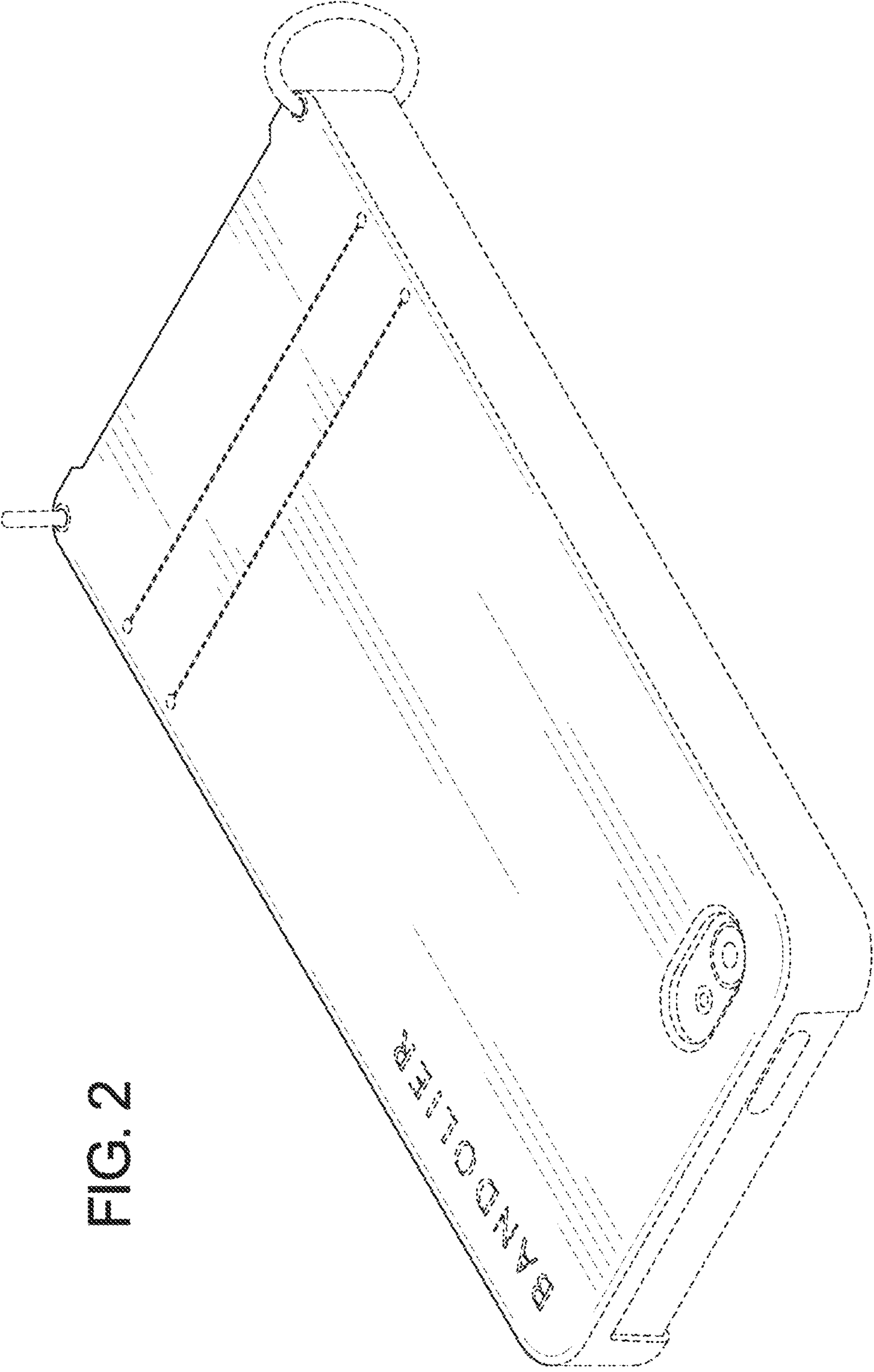


FIG. 2

FIG. 3

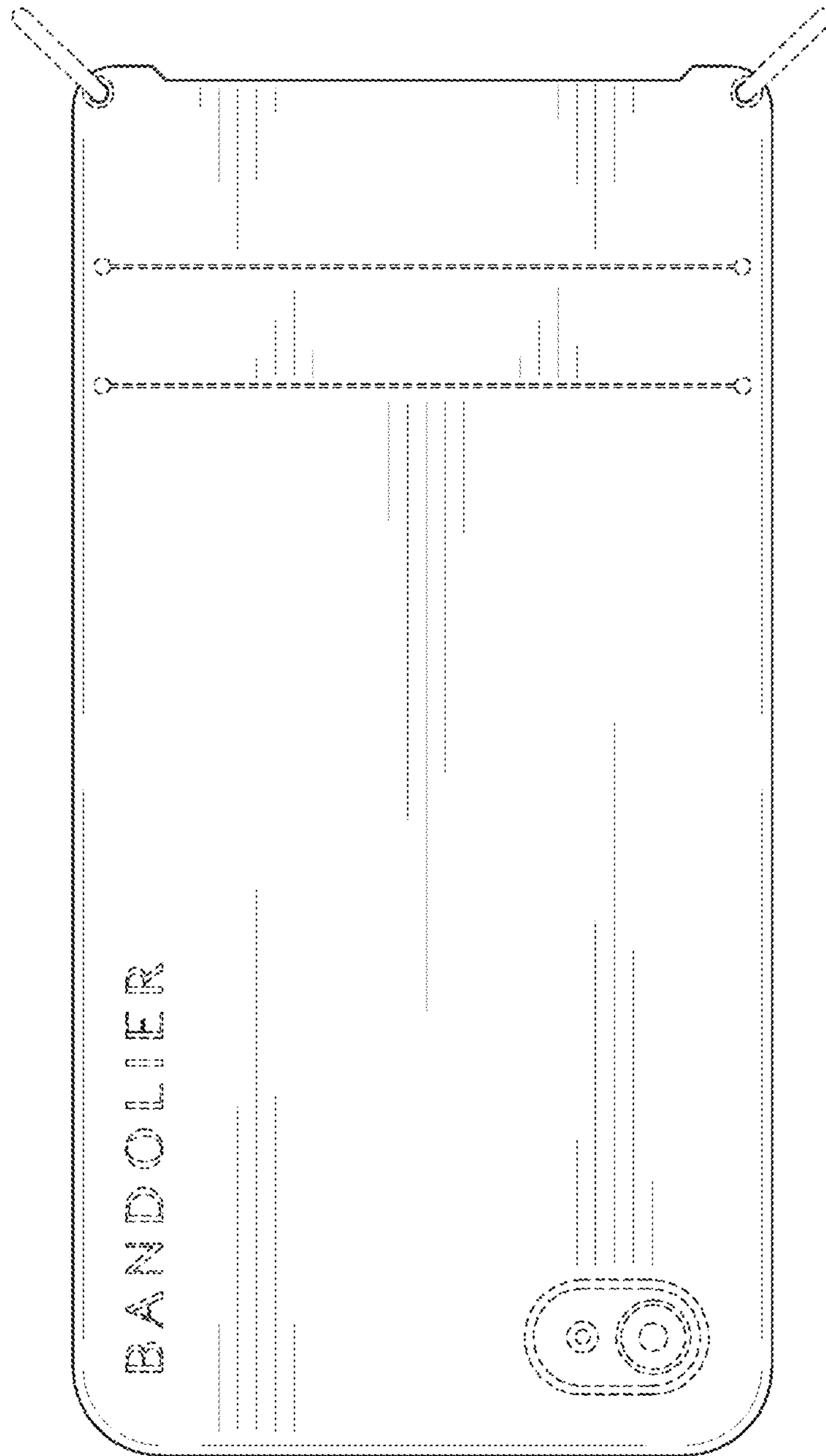


FIG. 4

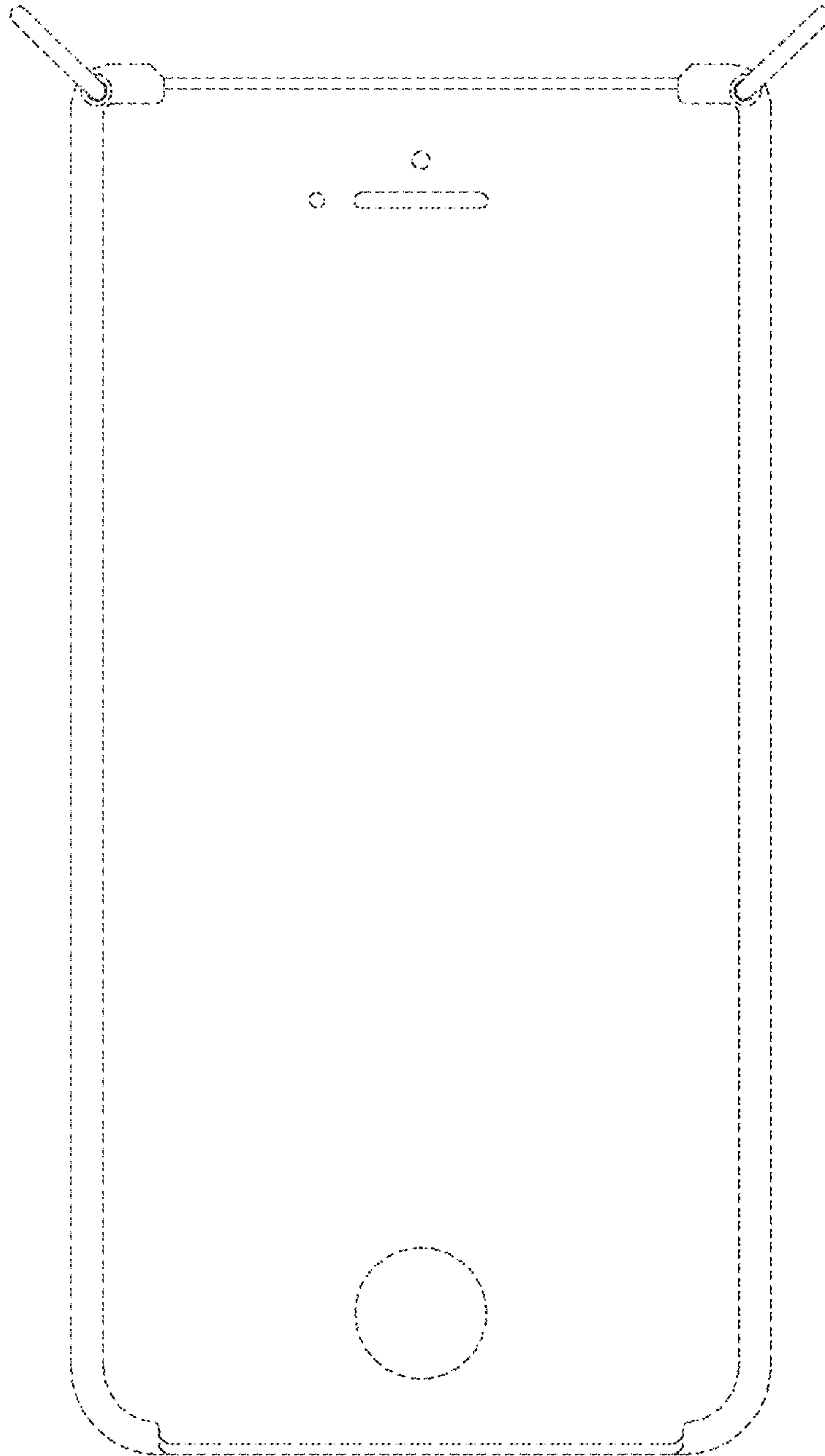


FIG. 5

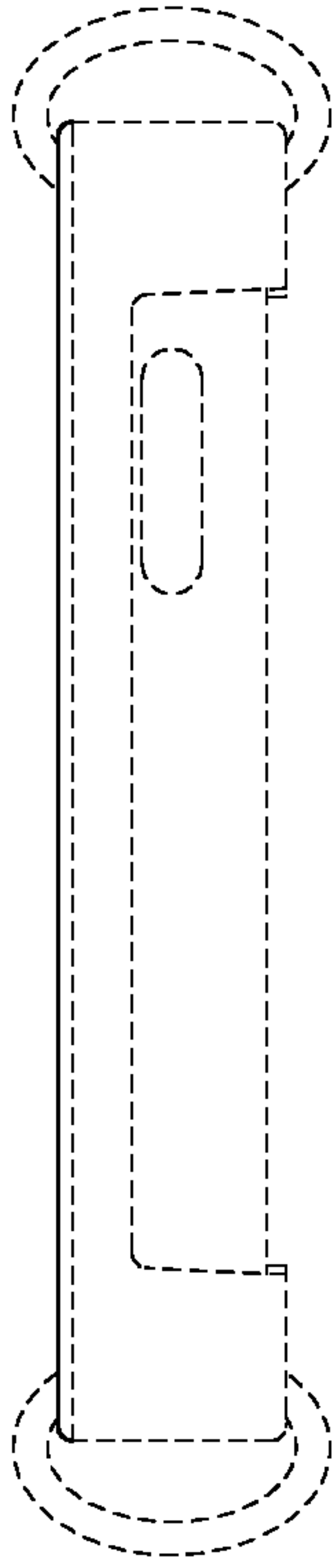


FIG. 6

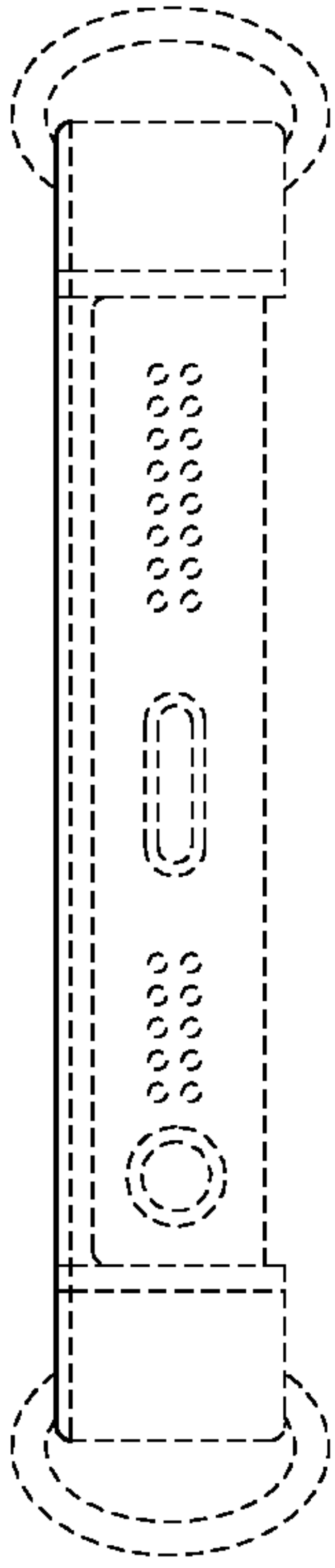


FIG. 7

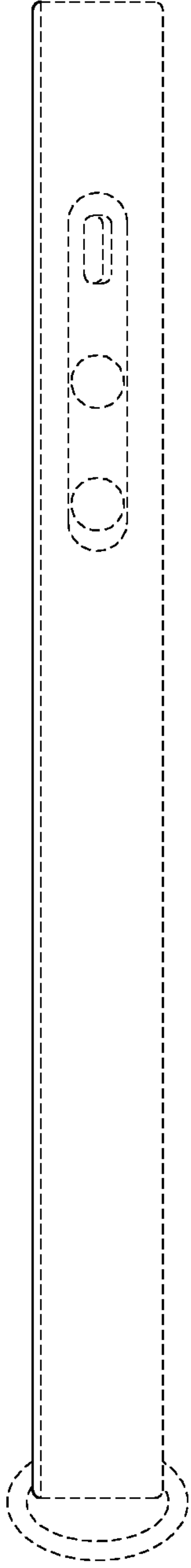


FIG. 8

