



US00D958131S

(12) **United States Design Patent**
Kanakis

(10) **Patent No.:** **US D958,131 S**
(45) **Date of Patent:** **** Jul. 19, 2022**

(54) **SMART PHONE BACK PROTECTOR WITH RING HOLDER**

(71) Applicant: **MIWORLD ACCESSORIES LLC**,
New York, NY (US)
(72) Inventor: **Andrew Kanakis**, New York, NY (US)
(73) Assignee: **MIWORLD ACCESSORIES LLC**,
New York, NY (US)

(**) Term: **15 Years**

(21) Appl. No.: **29/680,724**

(22) Filed: **Feb. 19, 2019**

(51) **LOC (13) Cl.** **14-03**

(52) **U.S. Cl.**
USPC **D14/250**

(58) **Field of Classification Search**
USPC D14/203.3–203.7, 439, 251–253, 447,
D14/217, 240, 238.1, 440, 248, 250;
D13/103, 107–108, 119; D3/201, 218,
D3/247, 249, 269, 273, 301, 303
CPC H04B 1/3888; A45C 11/00; A45C 13/02;
A45C 2011/002; A45C 1/06; A45F
2200/0525; A45F 2005/026; A45F
2200/0516; H04M 1/0283; H04M 1/0202
See application file for complete search history.

(56) **References Cited**

U.S. PATENT DOCUMENTS

D641,154 S * 7/2011 Smith D3/218
D660,305 S * 5/2012 Ho D14/447
8,950,638 B2 2/2015 Wangercyn, Jr. et al.
D753,912 S 4/2016 Spero
9,421,920 B2 * 8/2016 Jang B60R 11/0252
D775,619 S 1/2017 Tien
D782,488 S * 3/2017 Kim D14/447

D815,086 S * 4/2018 Jeon D14/251
D826,705 S * 8/2018 Zhou D8/401
D829,722 S * 10/2018 Kim D14/447
10,117,505 B1 * 11/2018 Alvarez A45F 5/10
D844,598 S * 4/2019 Jang D14/251
D850,455 S * 6/2019 Cheng D14/440
D855,048 S * 7/2019 Kim D14/253
D858,507 S * 9/2019 Jang D14/251
D859,417 S * 9/2019 Kim D14/447
D861,333 S * 10/2019 Feng D3/218
D863,281 S * 10/2019 Liu D14/250
D863,288 S * 10/2019 Wu D14/251
D871,389 S * 12/2019 Lim D14/447
D874,454 S * 2/2020 Lederer D14/251
D903,650 S * 12/2020 Huang D14/250
D906,328 S * 12/2020 Kim D14/253
10,916,954 B1 * 2/2021 Sheriff G06F 1/1635
D917,491 S * 4/2021 Cheng D14/440
D931,847 S * 9/2021 Min D14/253

(Continued)

Primary Examiner — Carla J Wright

(74) *Attorney, Agent, or Firm* — Notaro, Michalos & Zaccaria P.C.

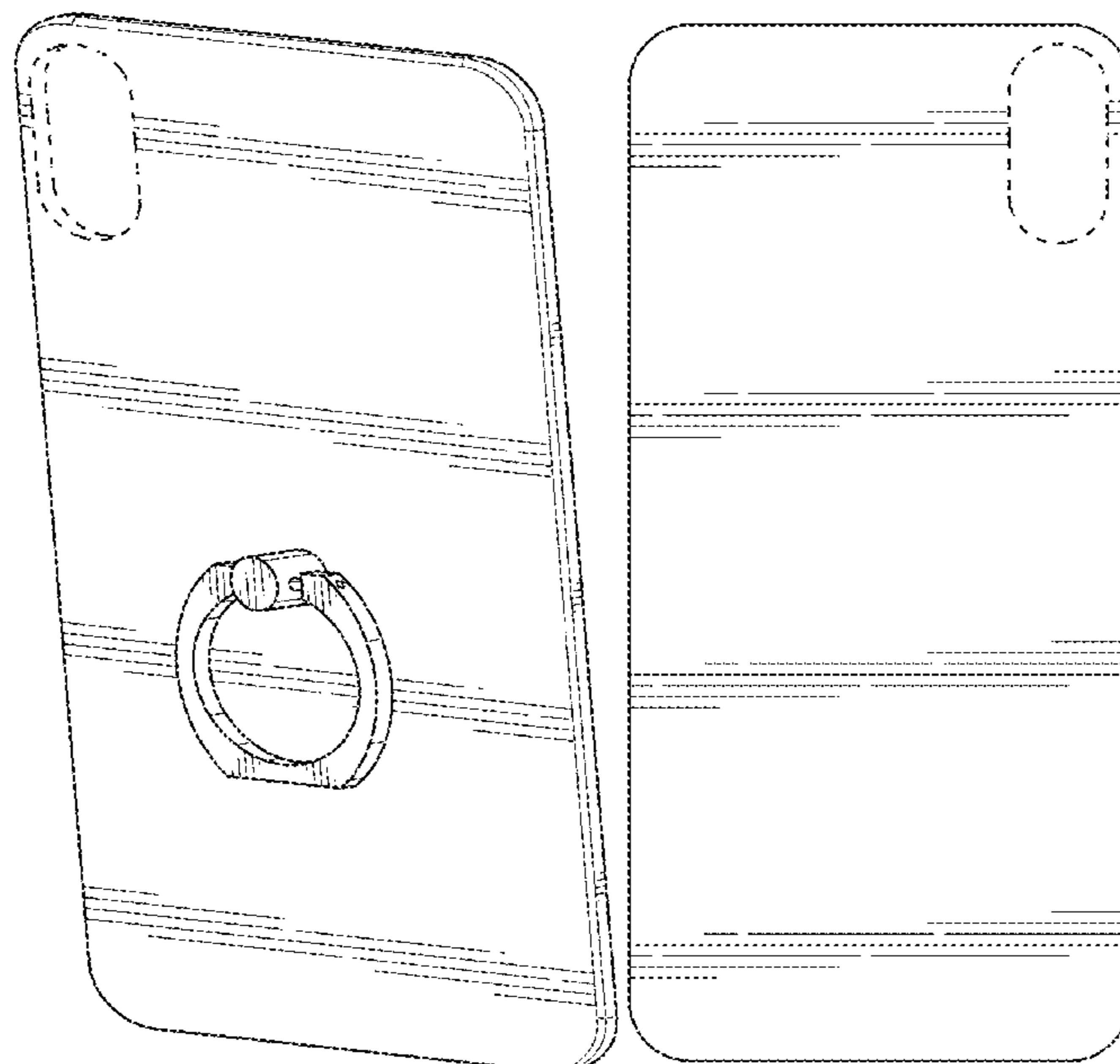
(57) **CLAIM**

The ornamental design for a smart phone back protector with ring holder, as shown and described.

DESCRIPTION

FIG. 1 is a rear perspective view of a smart phone back protector with ring holder showing my new design therefor; FIG. 2 is a rear elevational view thereof; FIG. 3 is a front elevational view thereof; FIG. 4 is a right side elevational view thereof; FIG. 5 is a left side elevational view thereof; FIG. 6 is a top plan view thereof; and, FIG. 7 is a bottom plan view thereof. Throughout the drawings, broken lines indicate environment and form no part of the design

1 Claim, 5 Drawing Sheets



(56)

References Cited

U.S. PATENT DOCUMENTS

2016/0039357 A1* 2/2016 Jang F16M 13/00
224/567
2017/0055660 A1* 3/2017 Tien A45C 11/00
2019/0230205 A1* 7/2019 Lee H04B 1/3888
2020/0209985 A1* 7/2020 Kim H04B 1/385
2020/0297103 A1* 9/2020 Jang H04M 1/02
2021/0012623 A1* 1/2021 Gov-Ari G08B 25/016

* cited by examiner

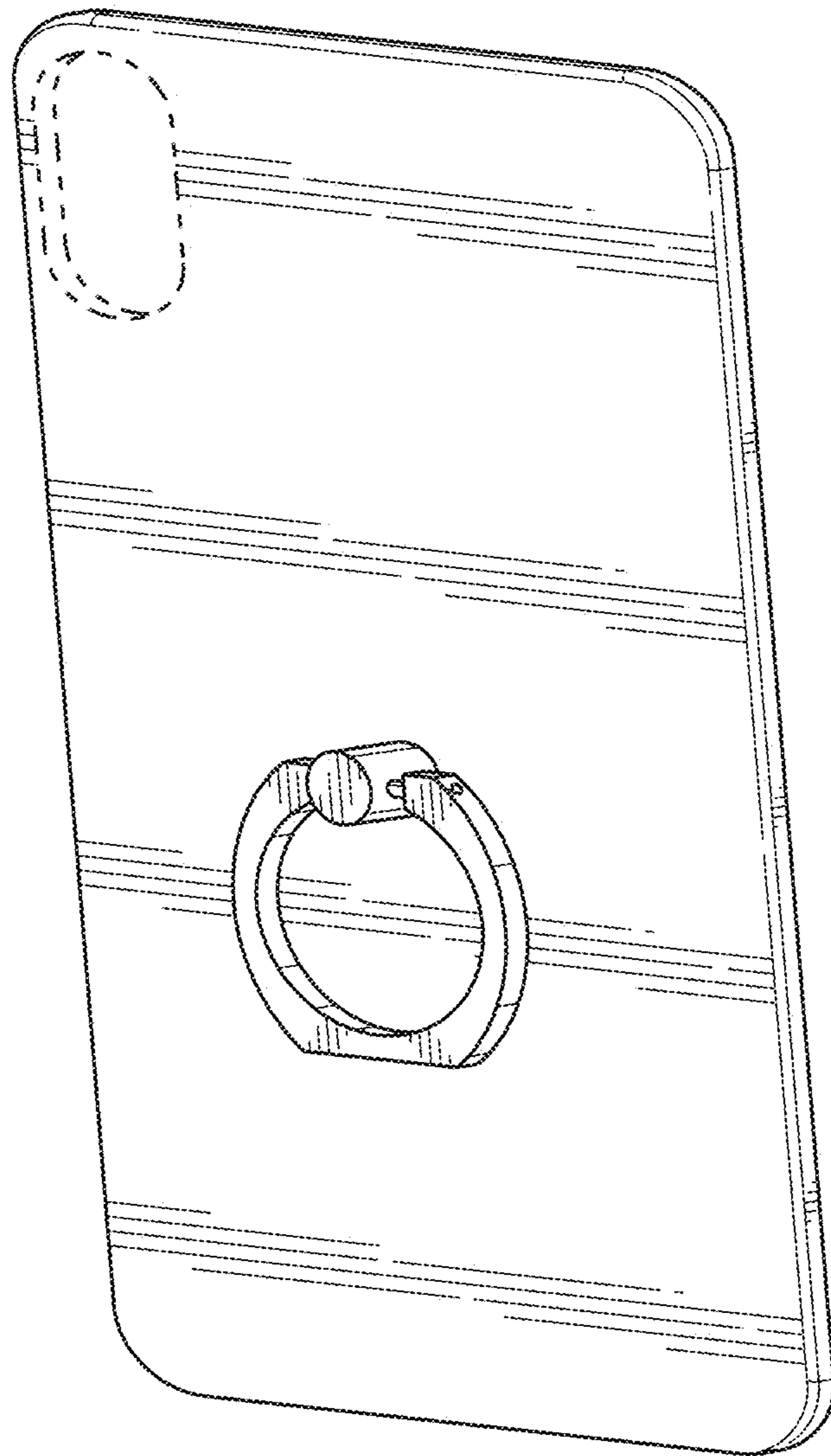


FIG. 1

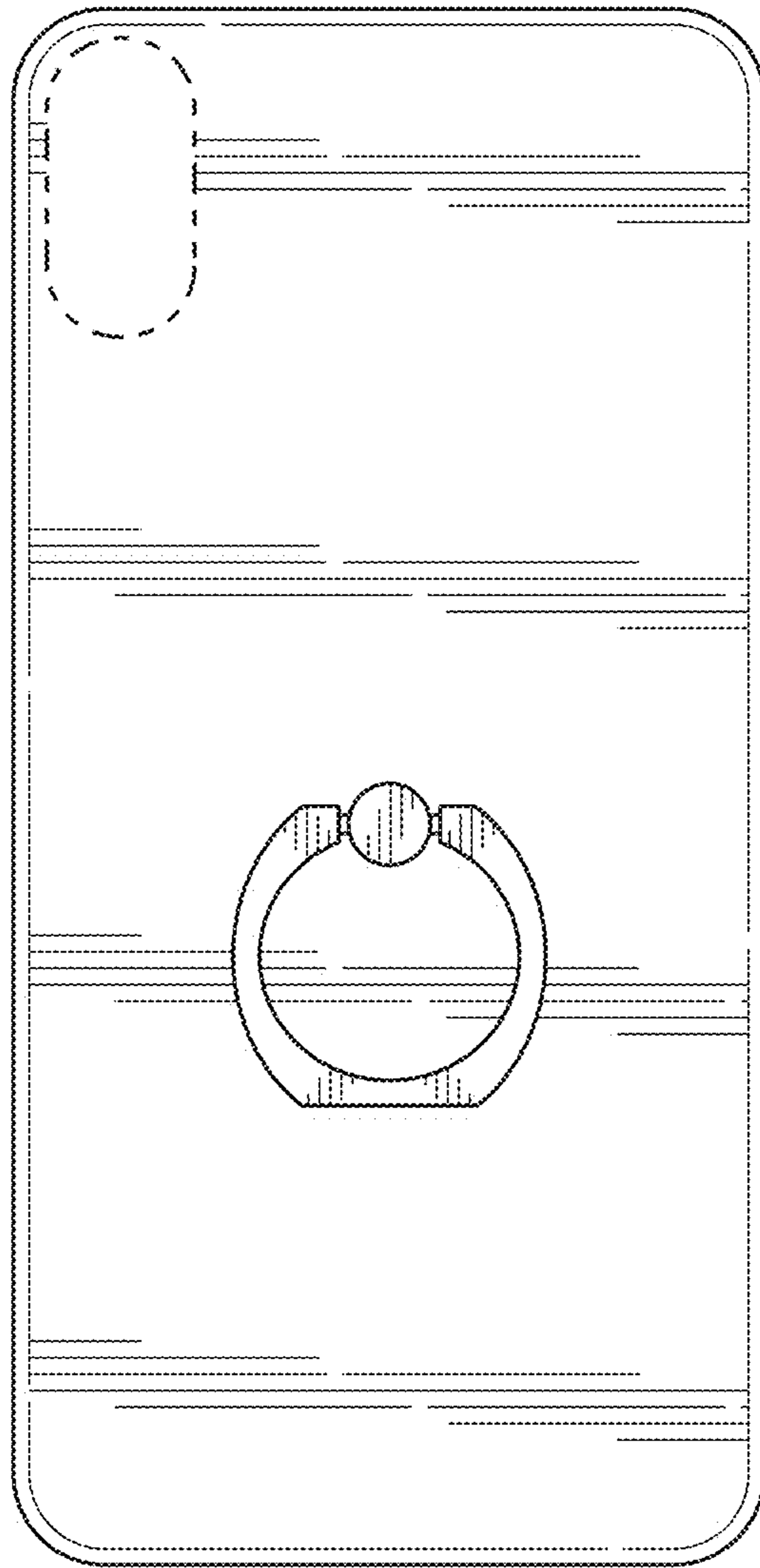


FIG. 2

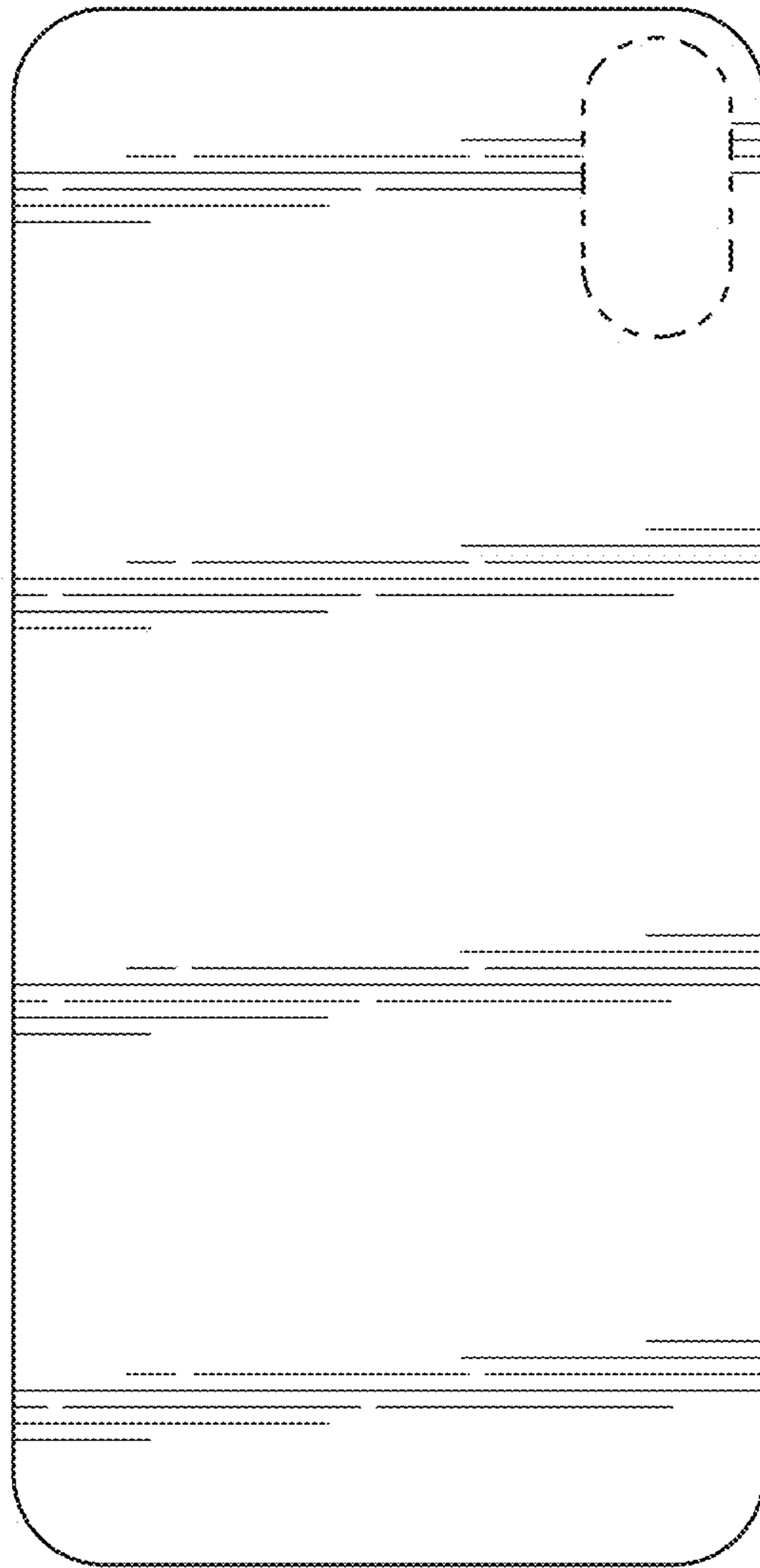


FIG. 3

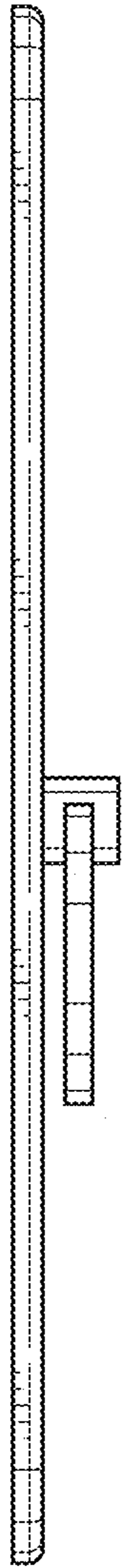


FIG. 4

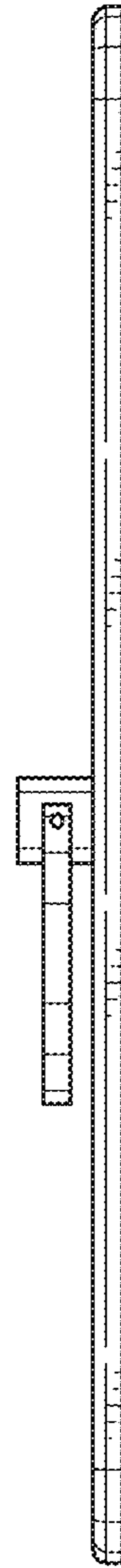


FIG. 5

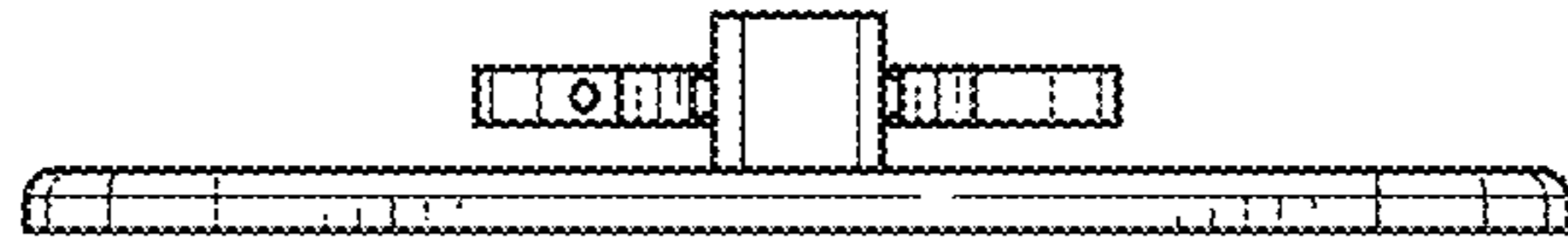


FIG. 6

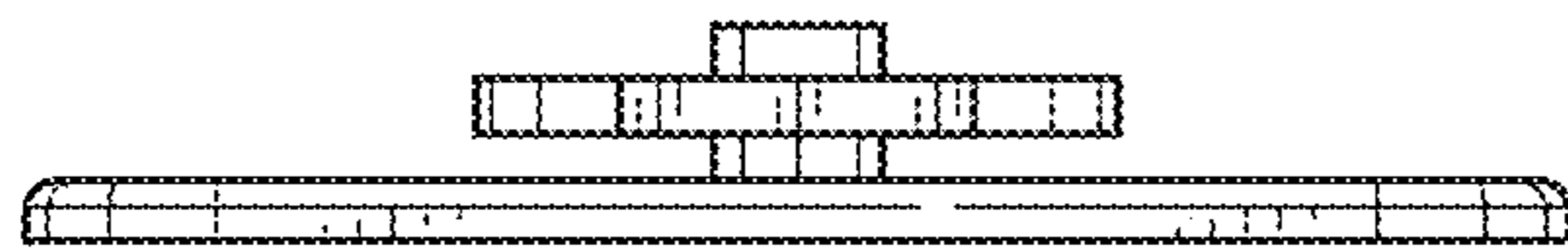


FIG. 7