



US00D958130S

(12) **United States Design Patent** (10) **Patent No.:** **US D958,130 S**
Chaney et al. (45) **Date of Patent:** **** *Jul. 19, 2022**

(54) **ELECTRONIC DEVICE ENCLOSURE**

(71) Applicant: **Hand Held Products, Inc.**, Fort Mill, SC (US)
(72) Inventors: **David E. Chaney**, Lincolnton, NC (US); **Timothy R. Fitch**, Syracuse, NY (US); **Qiurong Ma**, Shanghai (CN)
(73) Assignee: **HAND HELD PRODUCTS, INC.**, Fort Mill, SC (US)

(*) Notice: This patent is subject to a terminal disclaimer.
(**) Term: **15 Years**
(21) Appl. No.: **29/669,108**
(22) Filed: **Nov. 6, 2018**

Related U.S. Application Data

(63) Continuation of application No. 29/531,629, filed on Jun. 29, 2015, now Pat. No. Des. 837,192, which is a continuation of application No. 29/506,922, filed on Oct. 22, 2014, now Pat. No. Des. 733,112, which is a continuation of application No. 29/459,681, filed on Jul. 2, 2013, now Pat. No. Des. 716,285, which is a continuation of application No. 13/736,139, filed on Jan. 8, 2013, now Pat. No. 9,107,484.
(51) **LOC (13) Cl.** **14-03**
(52) **U.S. Cl.**
USPC **D14/250**
(58) **Field of Classification Search**
USPC D14/203.3–203.7, 439, 251–253, 447, D14/217, 240, 238.1, 440, 248, 250; D13/103, 107–108, 119; D3/201, 218, D3/247, 249, 269, 273, 301, 303
CPC . H04B 1/3888; A45C 13/02; A45C 2011/002; A45C 1/06; A45C 11/00; A45F 2200/0525; A45F 2005/026; A45F 2200/0516; H04M 1/0283; H04M 1/0202
See application file for complete search history.

(56) **References Cited**

U.S. PATENT DOCUMENTS

D280,674 S 9/1985 Nelson
D325,471 S 4/1992 McCain et al.
(Continued)

FOREIGN PATENT DOCUMENTS

WO 2013/106991 A1 7/2013

OTHER PUBLICATIONS

Applicant Initiated Interview Summary (PTOL-413) dated Mar. 11, 2015 for U.S. Appl. No. 13/736,139.
(Continued)

Primary Examiner — Carla J Wright
(74) *Attorney, Agent, or Firm* — Alston & Bird LLP

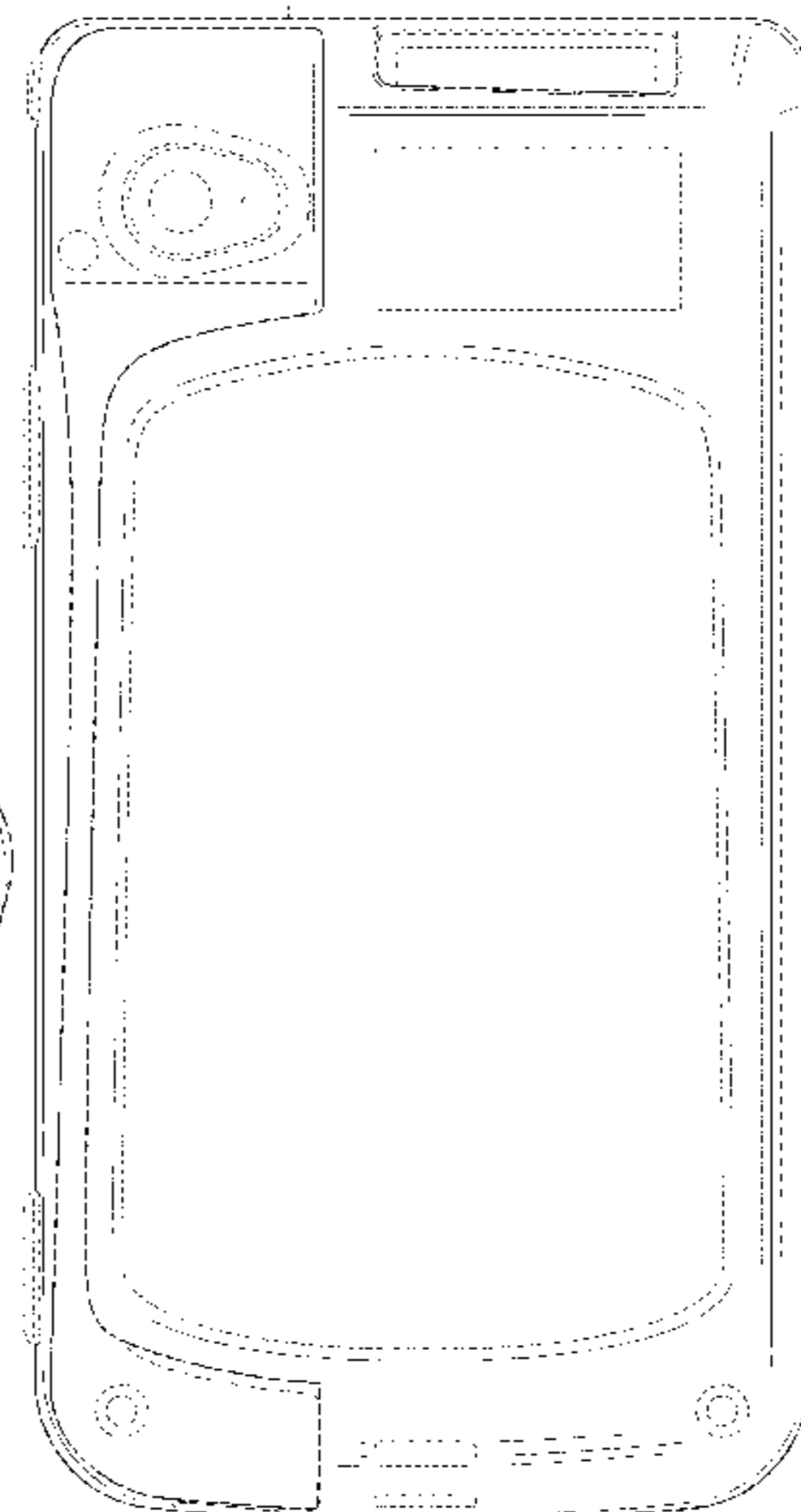
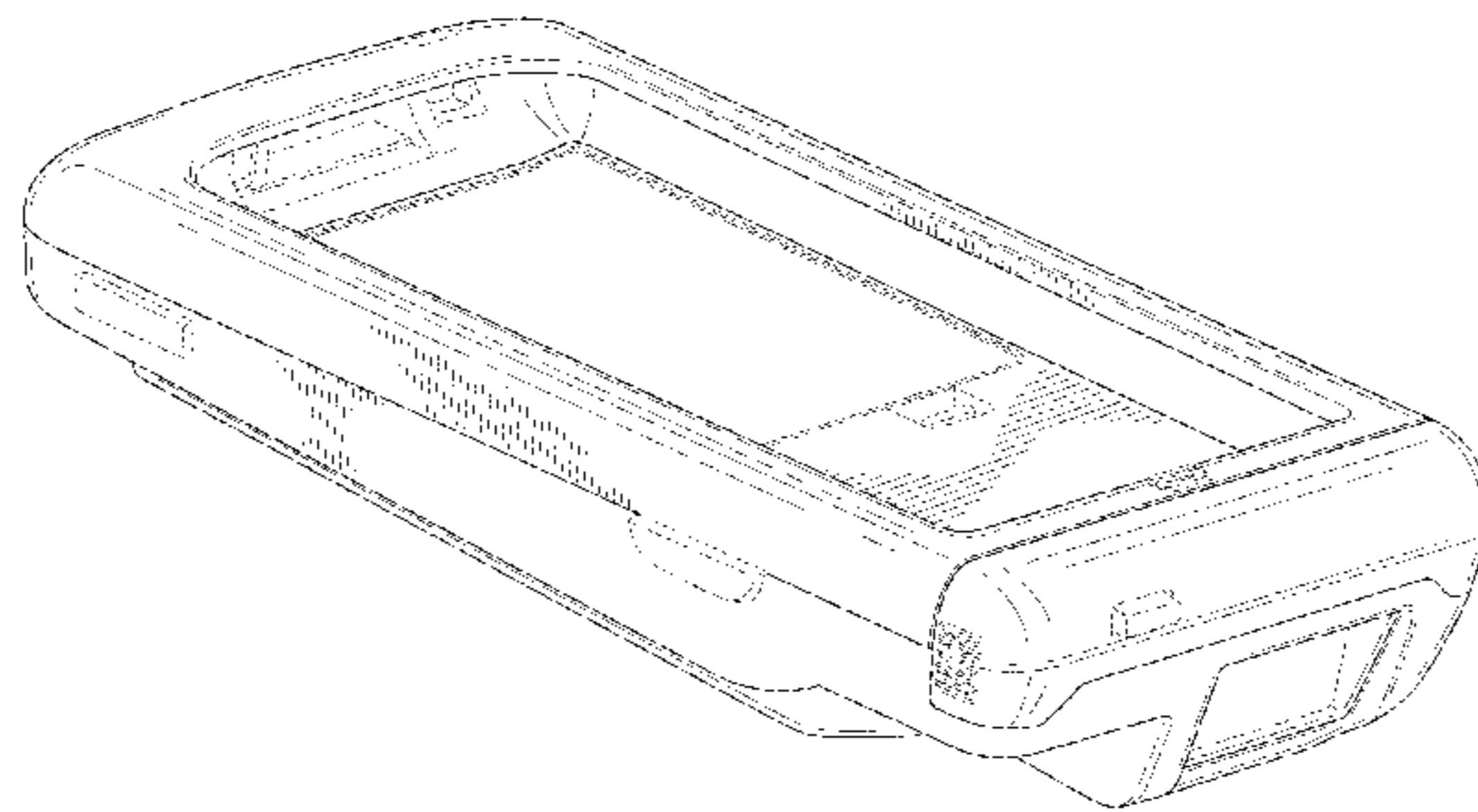
(57) **CLAIM**

The ornamental design for an electronic device enclosure, as shown and described.

DESCRIPTION

FIG. 1 is a front, right-side, and top perspective view of an electronic device enclosure showing our new design with the top door thereof in a closed position; FIG. 2 is a front elevation view thereof; FIG. 3 is a rear elevation view thereof; FIG. 4 is a left side elevation view thereof; FIG. 5 is a right side elevation view thereof; FIG. 6 is a top plan view thereof; FIG. 7 is a bottom plan view thereof; FIG. 8 is rear, right-side, and top perspective view thereof; and, FIG. 9 is a front, right-side, and top perspective view thereof, with the top door in an option position. The broken lines depict portions of the electronic device enclosure that form no part of the claimed design.

1 Claim, 9 Drawing Sheets



(56)

References Cited

U.S. PATENT DOCUMENTS

D337,435 S 7/1993 Kaneko et al.
 5,554,822 A 9/1996 Gilpin et al.
 5,574,625 A 11/1996 Ohgami et al.
 5,586,002 A 12/1996 Notarianni
 5,625,534 A 4/1997 Okaya et al.
 6,000,607 A 12/1999 Ohki et al.
 6,196,460 B1 3/2001 Shin
 6,304,459 B1 10/2001 Toyosato et al.
 6,637,661 B2 10/2003 Cohen et al.
 6,679,425 B1 1/2004 Sheppard et al.
 6,944,782 B2 9/2005 Von Mueller et al.
 7,123,487 B2 10/2006 Saito et al.
 D560,911 S * 2/2008 Hackbart D3/201
 D588,088 S 3/2009 Mitchell
 D588,146 S 3/2009 Tsuboi
 D593,319 S 6/2009 Richardson et al.
 D603,602 S 11/2009 Richardson et al.
 D608,781 S 1/2010 Wada
 D611,251 S * 3/2010 Charlwood D3/269
 7,688,580 B2 3/2010 Richardson et al.
 D624,114 S 9/2010 Ausems et al.
 D624,115 S 10/2010 Ausems et al.
 D638,012 S 5/2011 Tian et al.
 D659,138 S 5/2012 Hsu et al.
 D659,564 S 5/2012 Baxter
 D665,735 S 8/2012 Kang et al.
 D667,823 S 9/2012 Merenda
 D670,278 S 11/2012 Hamann
 D672,386 S 12/2012 Matunuma et al.
 D678,936 S 3/2013 Oliver
 D696,234 S 12/2013 Wright
 8,632,004 B2 1/2014 Nishiie
 D698,772 S * 2/2014 Merenda D14/250
 8,662,905 B2 3/2014 Chang
 D710,343 S 8/2014 Chandler, Jr. et al.
 D712,890 S 9/2014 McCormac et al.
 8,827,725 B2 9/2014 Chang
 D716,285 S 10/2014 Chaney et al.
 D719,166 S 12/2014 Brown et al.
 D719,950 S 12/2014 Smith et al.
 D728,551 S 5/2015 Saeki et al.
 D733,112 S 6/2015 Chaney et al.
 9,107,484 B2 8/2015 Chaney et al.
 D748,085 S 1/2016 Merenda
 D754,114 S 4/2016 Curtis et al.
 D754,650 S 4/2016 Curtis et al.
 D768,617 S 10/2016 Merenda
 D772,208 S 11/2016 Merenda
 D781,833 S 3/2017 Daniels et al.
 D784,976 S 4/2017 Cebe
 D792,407 S * 7/2017 Fitch D14/426
 9,721,125 B2 8/2017 Chaney
 D797,106 S * 9/2017 Paolizzi D14/426
 D837,192 S 1/2019 Chaney et al.
 D838,708 S * 1/2019 Mitchell D14/250
 10,191,242 B2 * 1/2019 Palmeri H04N 5/238
 D844,607 S * 4/2019 Fredette D14/385
 D860,180 S * 9/2019 Lehmann D14/250
 D862,441 S * 10/2019 Eppler D14/250
 D876,419 S * 2/2020 Griffith D14/250
 10,896,308 B2 * 1/2021 Ma H04M 1/21
 D921,899 S * 6/2021 Suarez D24/158
 D930,637 S * 9/2021 Griffin, Jr. D14/250

D930,638 S * 9/2021 Merenda D14/250
 D934,560 S * 11/2021 Tran D3/247
 2001/0003071 A1 6/2001 Mansutti et al.
 2007/0146985 A1 6/2007 Mick et al.
 2008/0132289 A1 6/2008 Wood et al.
 2009/0009945 A1 1/2009 Johnson et al.
 2013/0237290 A1 9/2013 Simmons, Jr. et al.
 2013/0264234 A1 10/2013 Cohen
 2014/0191644 A1 7/2014 Chaney
 2015/0028104 A1 1/2015 Ma et al.
 2015/0356327 A1 * 12/2015 Chaney G06K 7/089
 235/449
 2017/0187411 A1 6/2017 Coulter
 2017/0215293 A1 7/2017 Merenda

OTHER PUBLICATIONS

EM 002270553-0001; Honeywell International, Inc.: Filed Jul. 8, 2013; Issued Aug. 23, 2013, 9 pages.
 Examiner initiated interview summary (PTOL-413B) dated Mar. 22, 2017 for U.S. Appl. No. 14/826,835.
 Notice of Allowance for U.S. Appl. No. 13/736,139, dated Apr. 8, 2015, 8 pages.
 Notice of Allowance for U.S. Appl. No. 29/459,681, dated Jun. 18, 2014, 8 pages.
 Notice of Allowance for U.S. Appl. No. 29/506,922, dated Apr. 10, 2015, 11 pages.
 Notice of Allowance for U.S. Appl. No. 29/506,922, dated Jan. 30, 2015, 10 pages.
 Notice of Allowance for U.S. Appl. No. 29/506,922, dated May 27, 2015, 2 pages.
 Notice of Allowance for U.S. Appl. No. 29/531,629, dated Jul. 16, 2018, 5 pages.
 Notice of Allowance for U.S. Appl. No. 14/826,835, dated Mar. 22, 2017, 8 pages.
 Office Action for U.S. Appl. No. 13/736,139, dated Nov. 11, 2014, 12 pages.
 Office Action for U.S. Appl. No. 29/459,681, dated Feb. 19, 2014, 12 pages.
 Office Action for U.S. Appl. No. 29/531,629, dated Apr. 6, 2018, 8 pages.
 Office Action for U.S. Appl. No. 29/531,629, dated Sep. 22, 2017, 12 pages.
 Office Action for U.S. Appl. No. 14/826,835, dated Oct. 19, 2016, 8 pages.
 EP Patent CDR0022705: Honeywell International, Inc.: Filed Jul. 8, 2013; Issued Aug. 22, 2013; 9 pages.
 Related Utility U.S. Appl. No. 14/826,835, filed Aug. 14, 2015, 42 pages; Not yet published.
 Honeywell Captuvo SL42 iPhone* Enterprise Class Sled with MSR and Barcode Scanner, Compatible with iPhone 5, Phone 5s, iPhone 5c, URL:<https://cdn2.bigcommerce.com/n-big04i/iqbn45qr/products/1534/images/2750/cap2_21005.1417736607.1280.1280.jpg?c=2>, retrieved from internet on Sep. 18, 2017 [in parent U.S. Appl. No. 29/531,629].
 Honeywell Captuvo SL42 iPhone* Enterprise Class Sled with MSR and Barcode Scanner, Compatible with iPhone 5, Phone 5s, iPhone 5c, URL:<<https://poscatch.com/honeywell-captuvo-sl42-iphone-5-enterprise-class-sled-msr-card-reader-scanner>>, retrieved from internet on Sep. 18, 2017 [in parent U.S. Appl. No. 29/531,629].

* cited by examiner

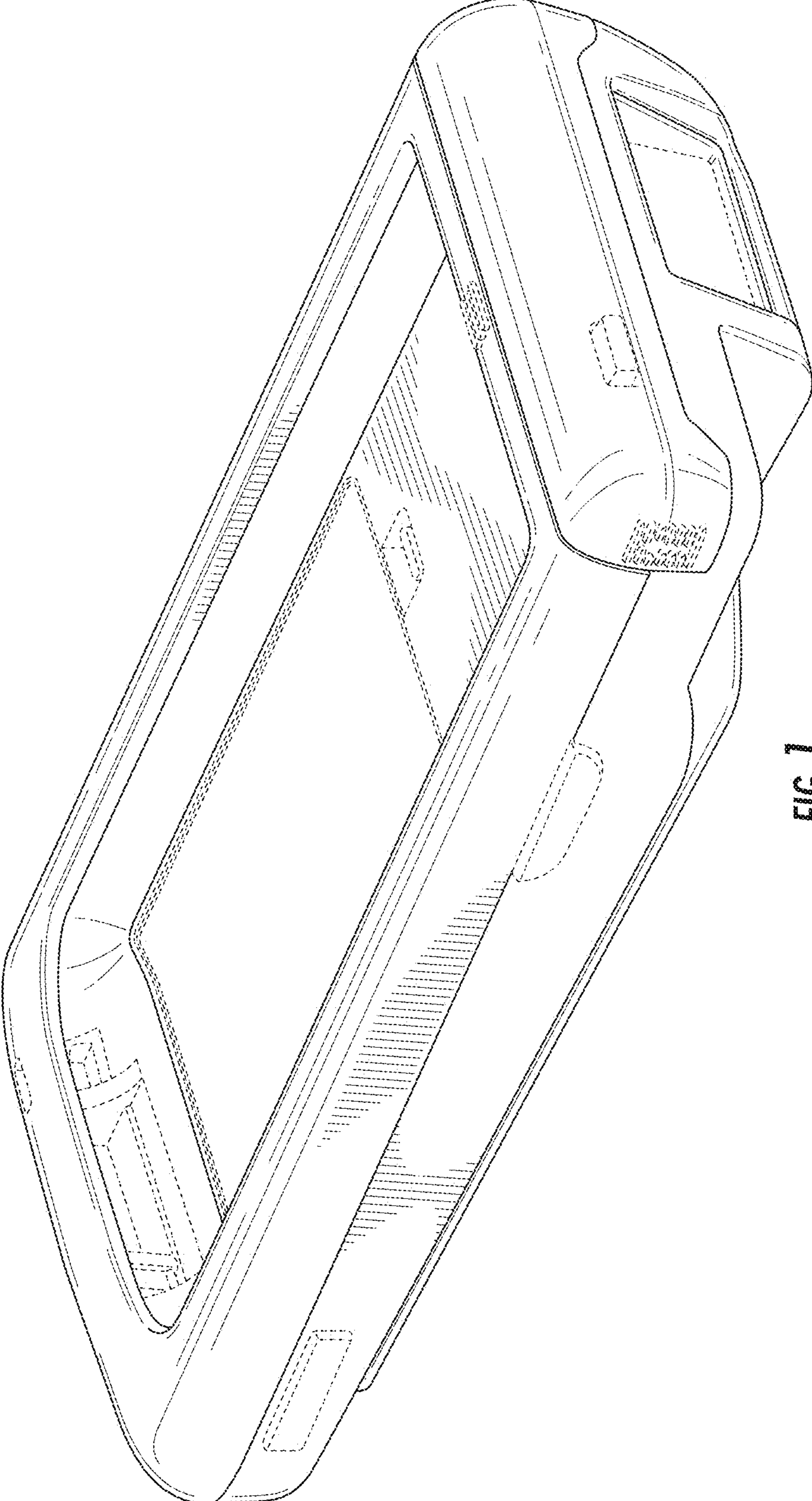


FIG. 1

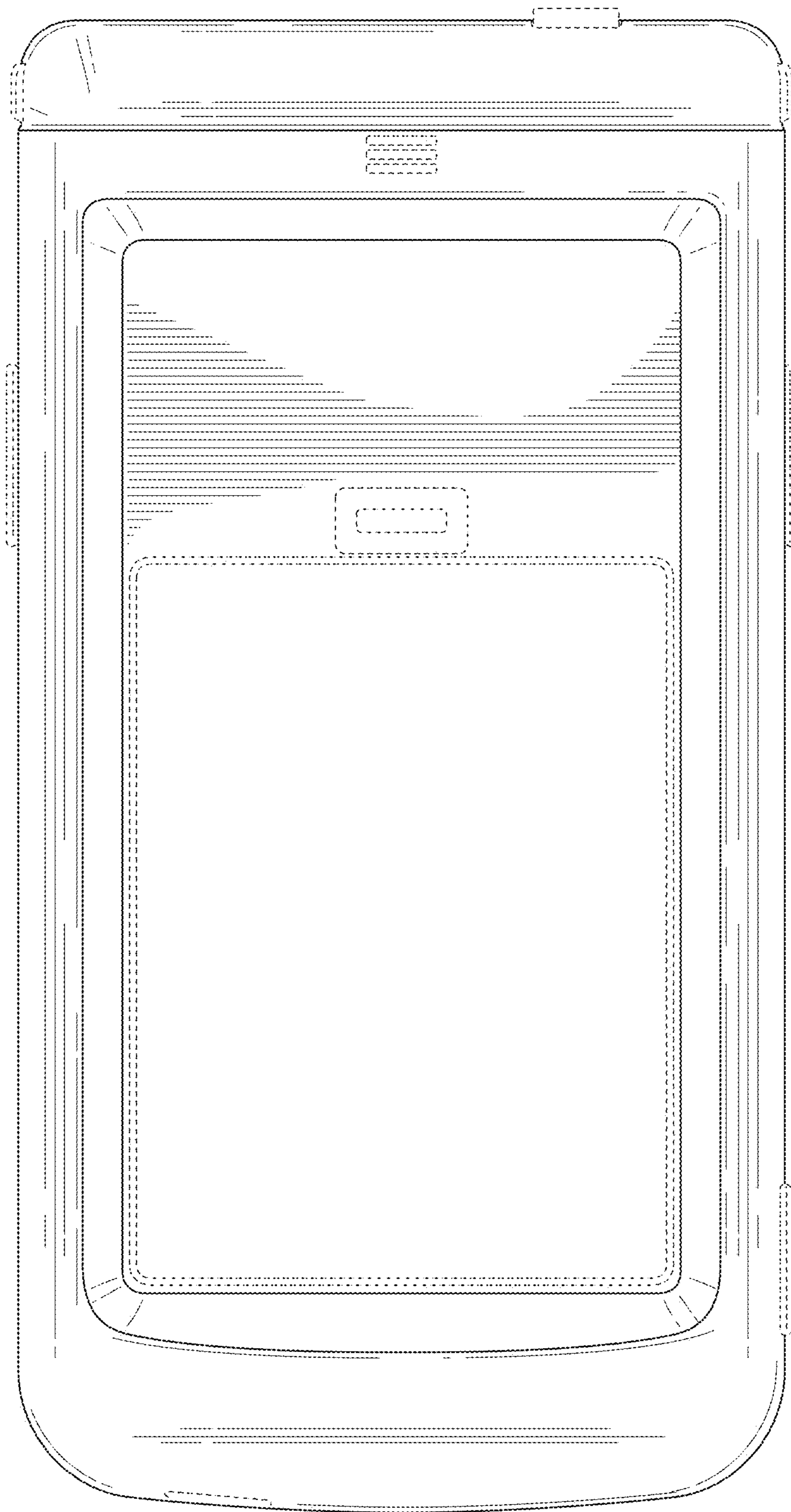


FIG. 2

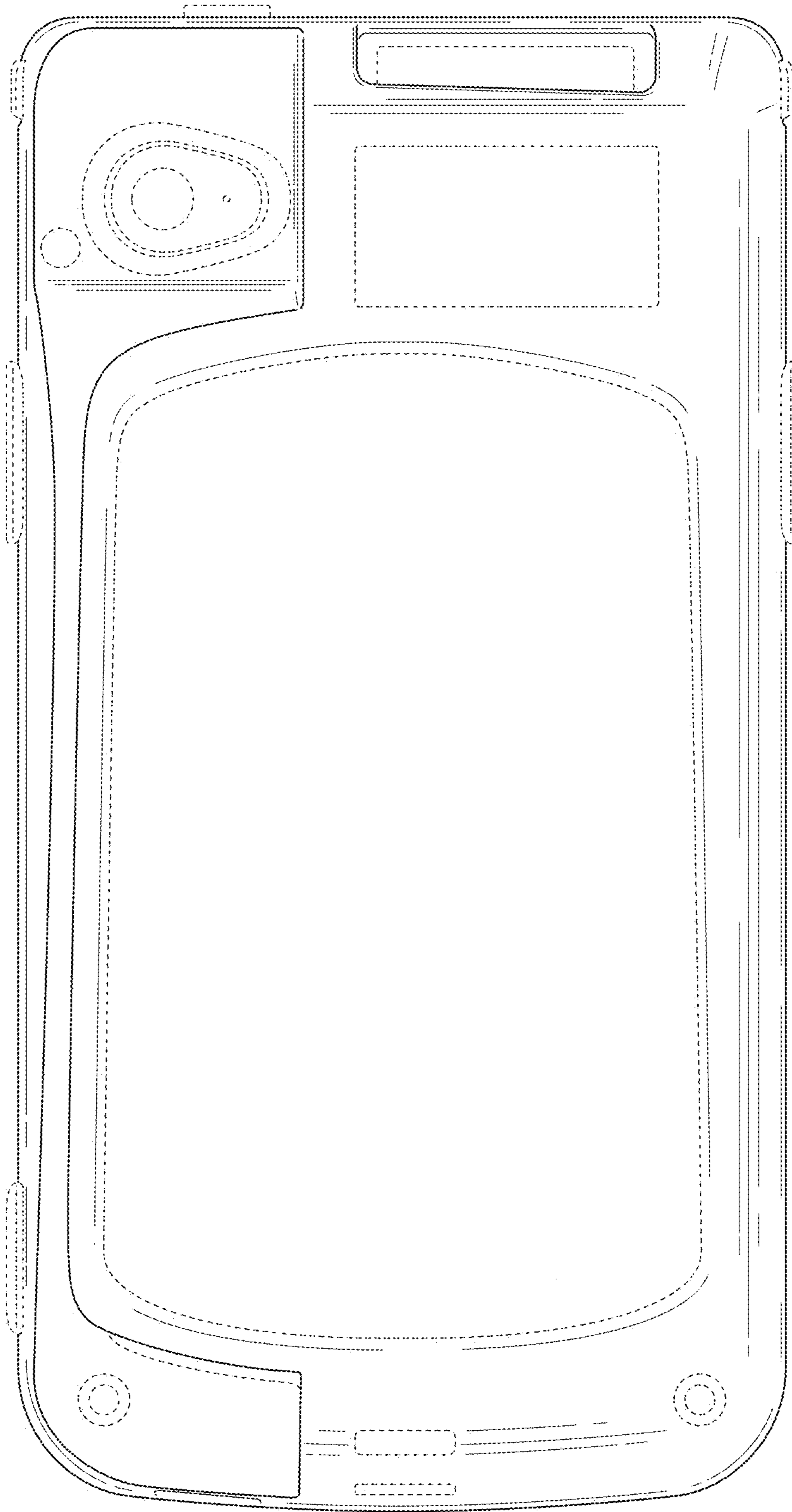


FIG. 3

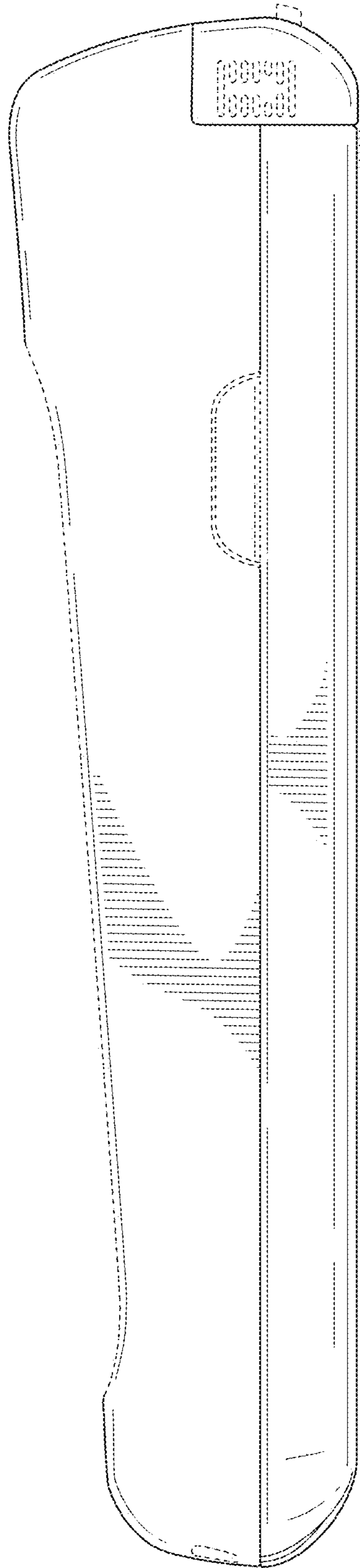


FIG. 4

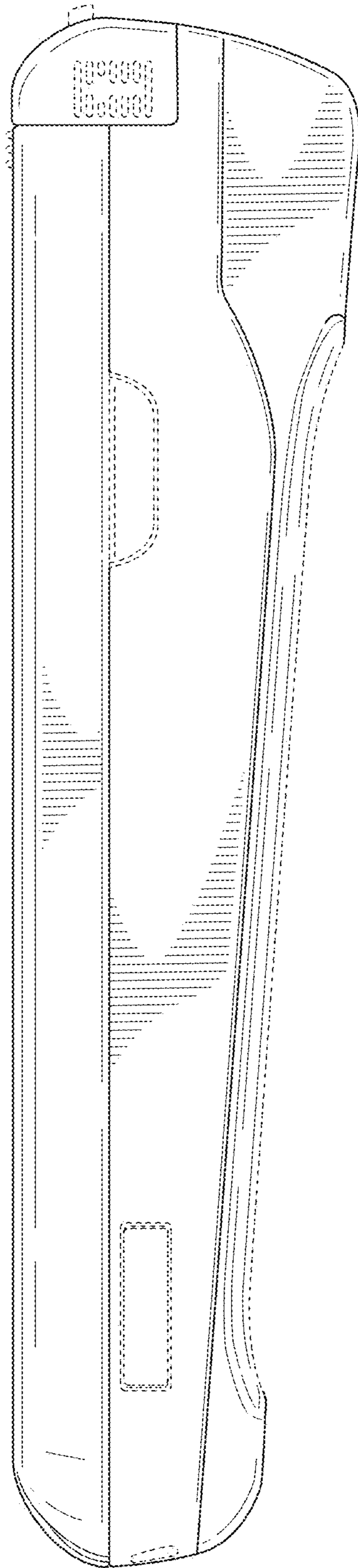


FIG. 5

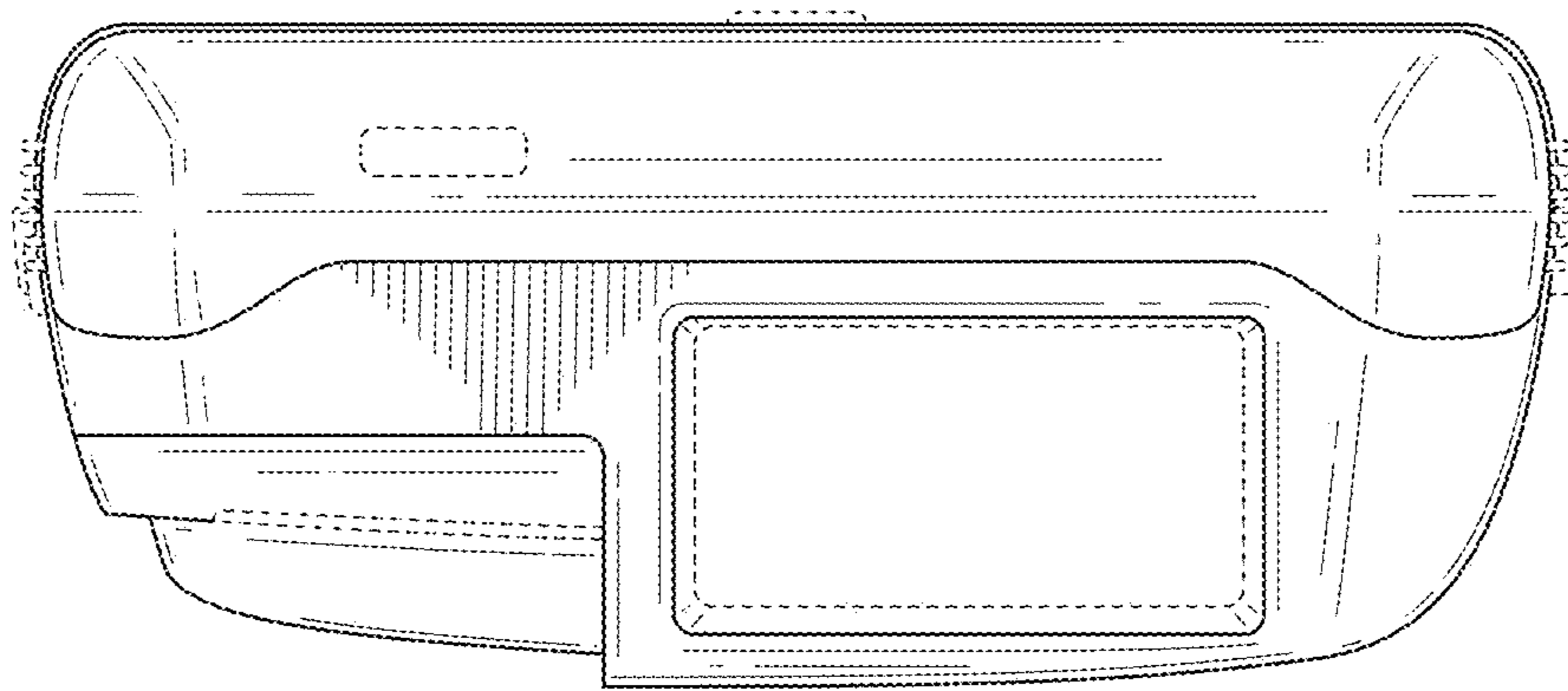


FIG. 6

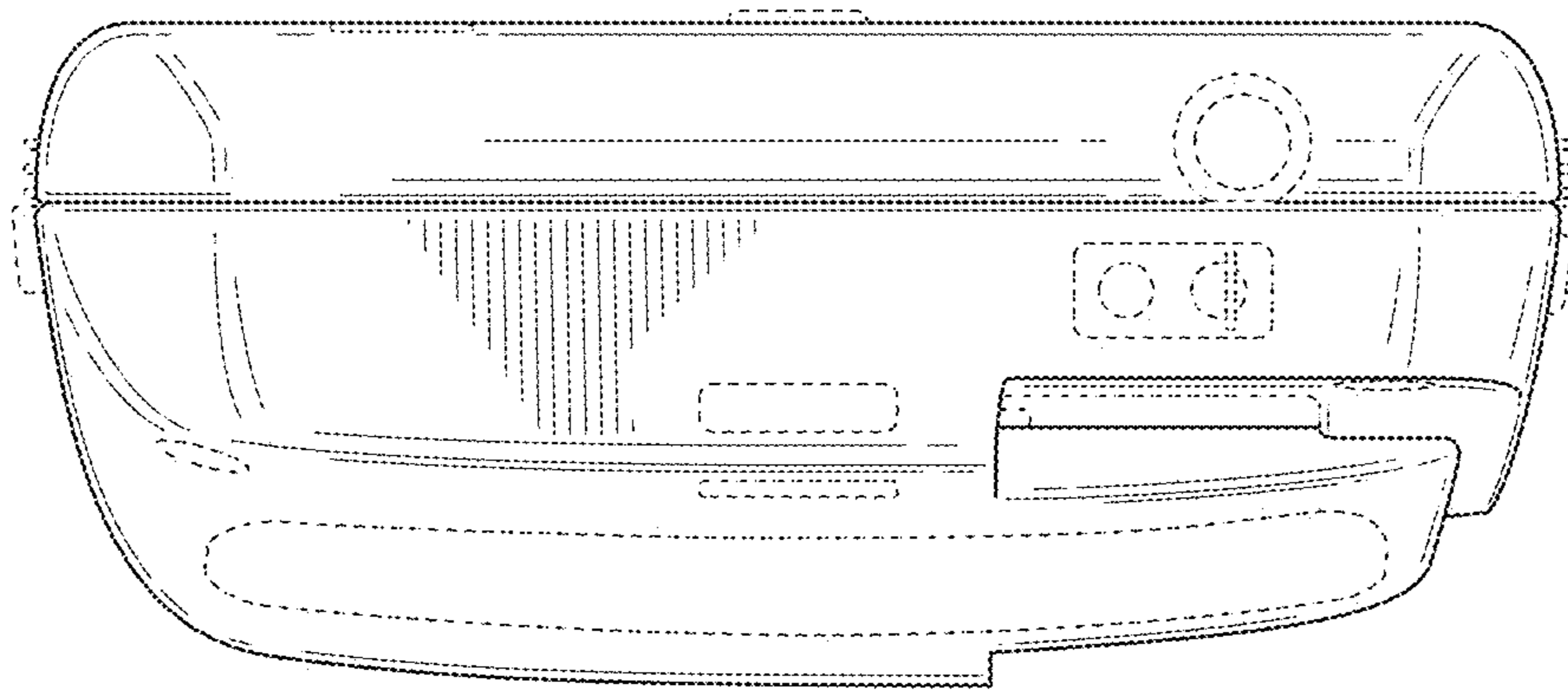


FIG. 7

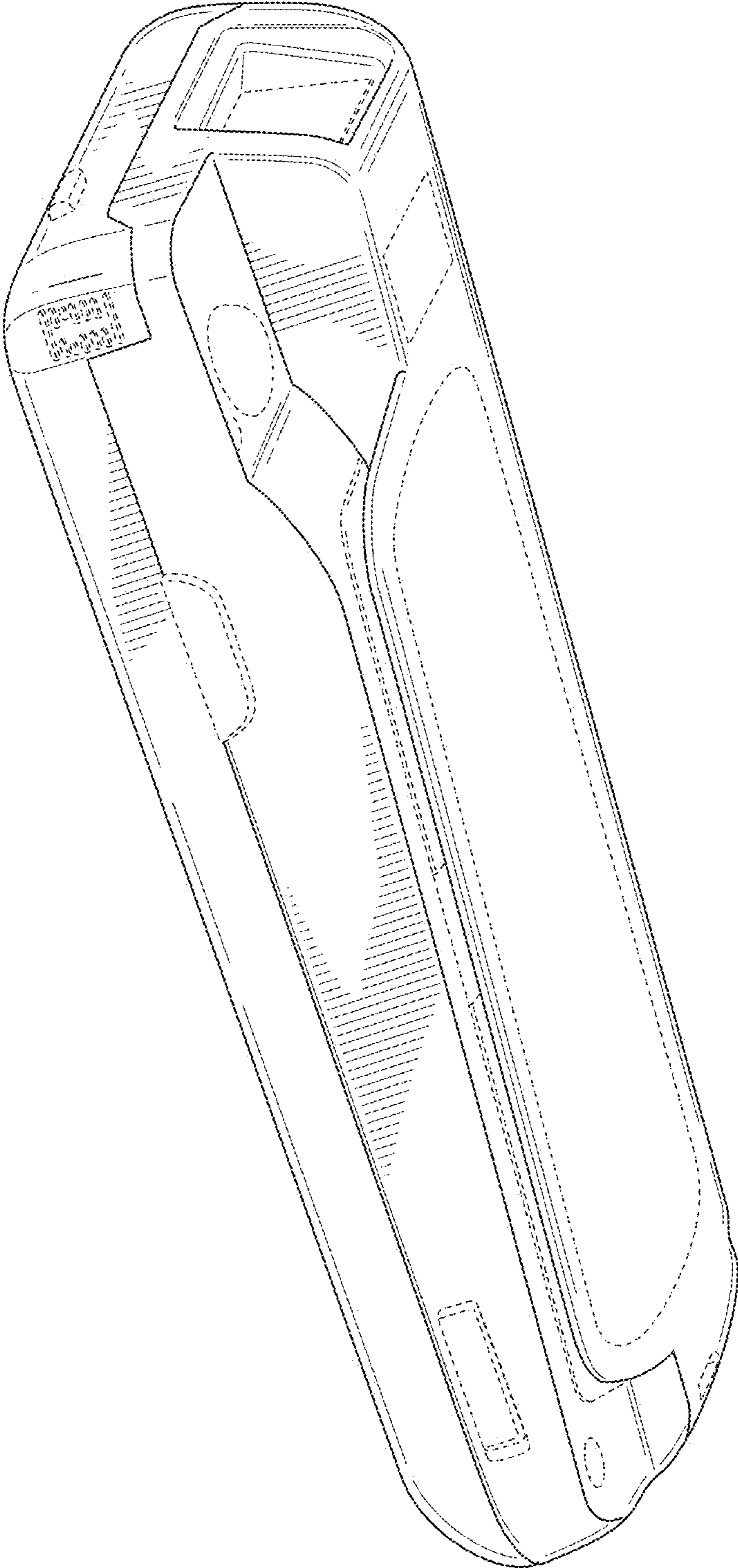


FIG. 8

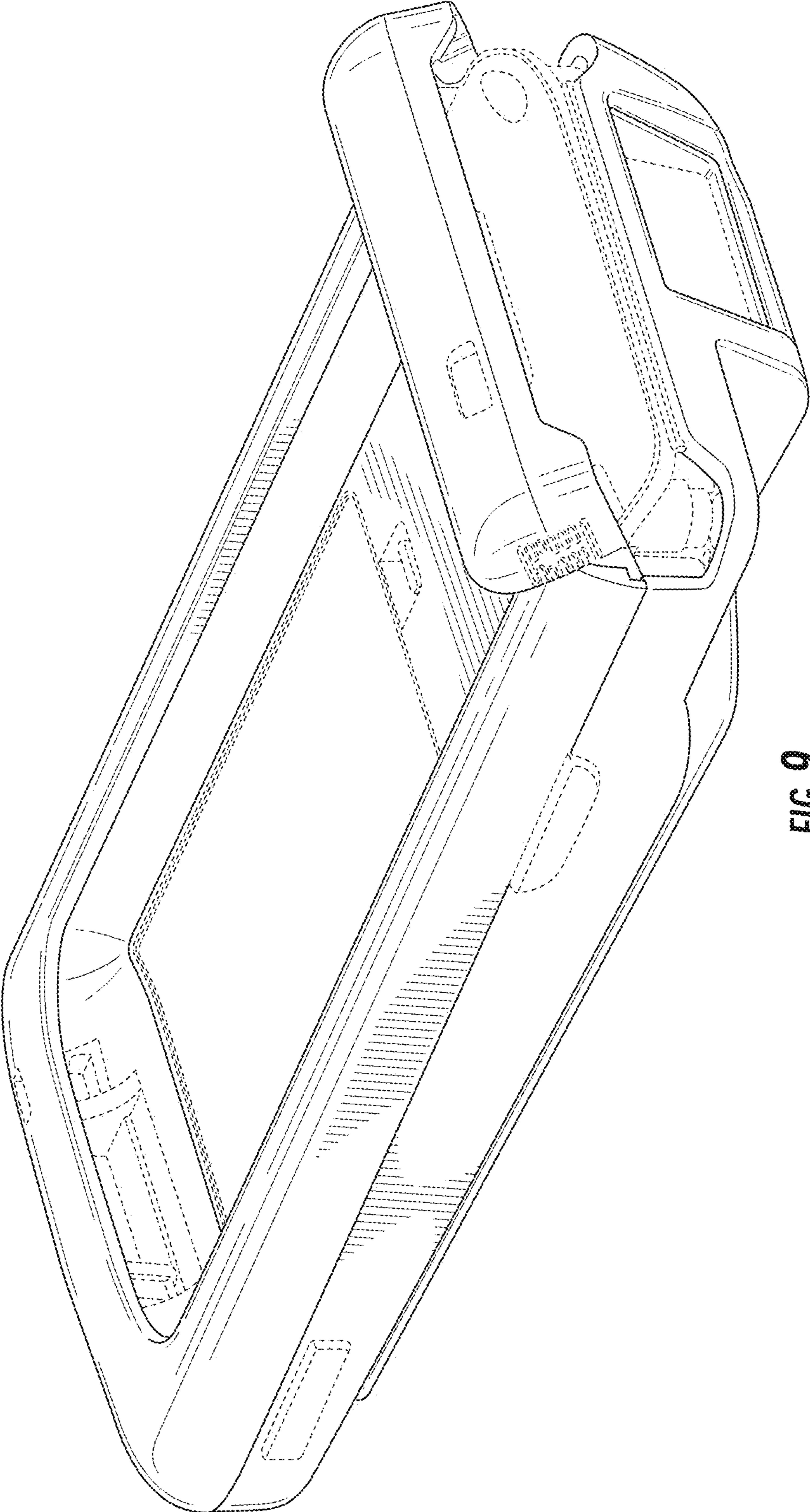


FIG. 9