



US00D958124S

(12) **United States Design Patent**
Choi et al.

(10) **Patent No.:** **US D958,124 S**
(45) **Date of Patent:** **** Jul. 19, 2022**

(54) **TELEVISION RECEIVER**

(71) Applicant: **Samsung Electronics Co., Ltd.**,
Suwon-si (KR)

(72) Inventors: **Gyoosang Choi**, Suwon-si (KR);
Bumho Chun, Suwon-si (KR)

(73) Assignee: **Samsung Electronics Co., Ltd.**,
Suwon-si (KR)

(**) Term: **15 Years**

(21) Appl. No.: **29/736,335**

(22) Filed: **May 29, 2020**

(30) **Foreign Application Priority Data**

Dec. 16, 2019 (KR) 30-2019-0061062

(51) **LOC (13) Cl.** **14-03**

(52) **U.S. Cl.**
USPC **D14/239**; D14/126

(58) **Field of Classification Search**
USPC D14/126, 129, 130, 132, 133, 159, 239,
D14/307, 336, 371, 372, 374, 375, 376,
(Continued)

(56) **References Cited**

U.S. PATENT DOCUMENTS

D412,891 S * 8/1999 Sumii D14/374
D620,461 S * 7/2010 Han D14/126
(Continued)

FOREIGN PATENT DOCUMENTS

CN 2017302548250 1/2018
CN 2019300384950 8/2019
(Continued)

OTHER PUBLICATIONS

TEKBYUS. "TEKBYUS NS-50D510NA17 TV Pedestal Stand Base Legs with Screws" [2018] www.amazon.com Feb. 7, 2018

<https://www.amazon.com/TEKBYUS-NS-50D510NA17-Pedestal-Stand-Screws/dp/B079NM6Y61/ref=sr_1_490?keywords=Stand+Legs&qid=1572831036&s=electronics&sr>.

(Continued)

Primary Examiner — Marie D. Fast Horse
(74) *Attorney, Agent, or Firm* — NSIP Law

(57) **CLAIM**

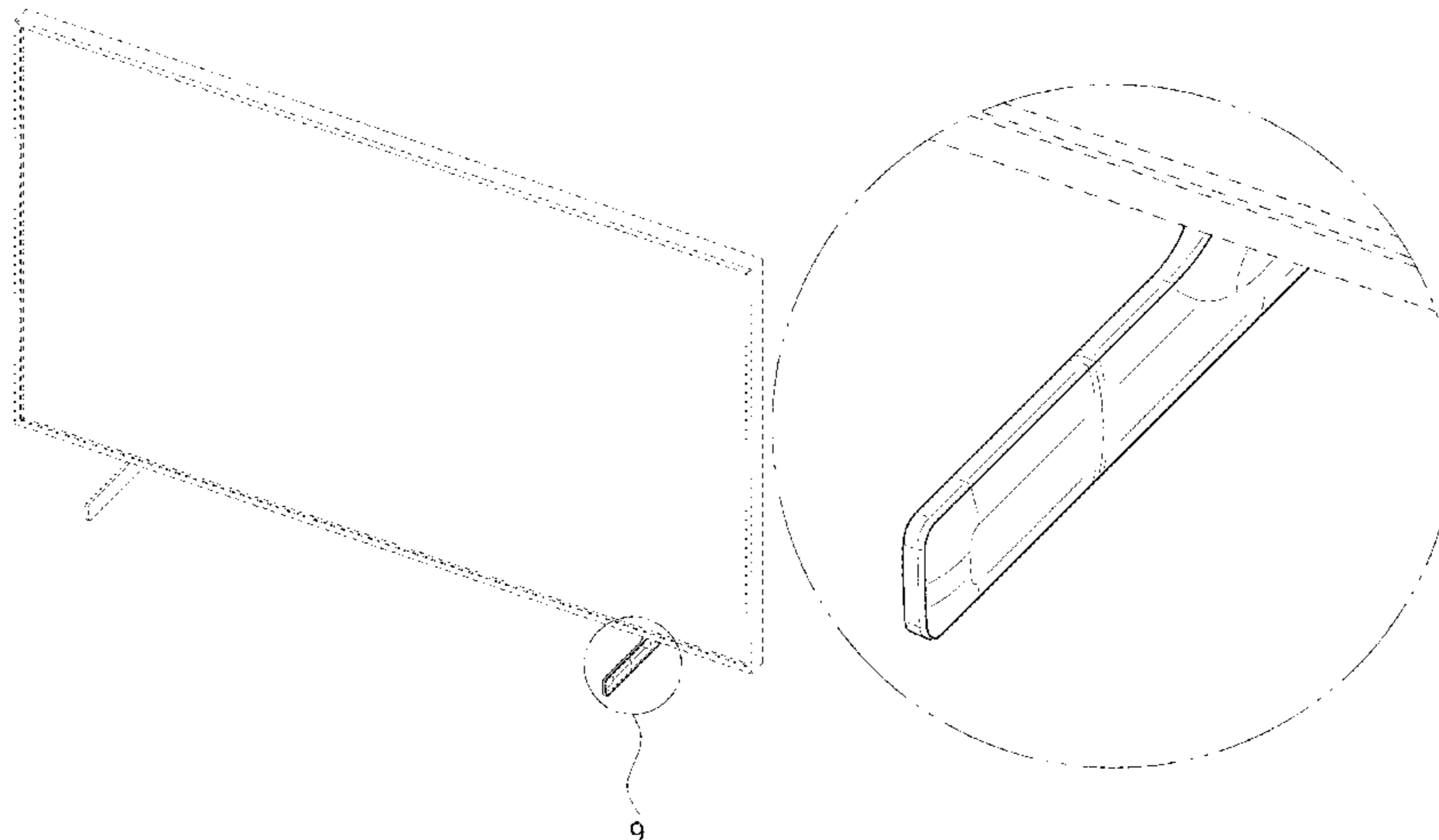
We claim the ornamental design for a television receiver, as shown and described.

DESCRIPTION

FIG. 1 is a front perspective view of a television receiver showing our new design;
FIG. 2 is a front view thereof;
FIG. 3 is a rear view thereof;
FIG. 4 is a left-side view thereof;
FIG. 5 is a right-side view thereof;
FIG. 6 is a top view thereof;
FIG. 7 is a bottom view thereof;
FIG. 8 is a rear perspective view thereof;
FIG. 9 is an enlarged view of the encircled portion in FIG. 1;
FIG. 10 is an enlarged view of the encircled portion in FIG. 2;
FIG. 11 is an enlarged view of the encircled portion in FIG. 3;
FIG. 12 is an enlarged view of the encircled portion in FIG. 5;
FIG. 13 is an enlarged view of the encircled portion in FIG. 6;
FIG. 14 is an enlarged view of the encircled portion in FIG. 7; and,
FIG. 15 is an enlarged view of the encircled portion in FIG. 8.

The broken lines in the figures depict portions of the television receiver which form no part of the claimed design.

(Continued)



The dot-dot-dash broken lines encircling portions of the claimed design that are illustrated in enlargements form no part of the claimed design.

1 Claim, 15 Drawing Sheets

(58) Field of Classification Search

USPC D14/383, 448, 451, 496; D10/46, 65, D10/104.1, 109.1, 75; D24/138, 107, D24/184, 186, 169, 216; D20/10, 18, 19, D20/21, 39

CPC G06F 1/1601; G06F 1/1605; G06F 1/1607; G06F 1/1637; G06F 1/1642; G06F 1/182; G06F 1/20; G06F 2200/1612; G06F 3/0421; G06F 3/0428; G06F 3/0488

See application file for complete search history.

(56) References Cited

U.S. PATENT DOCUMENTS

D634,722	S	*	3/2011	Kim	D14/126
D634,723	S	*	3/2011	Park	D14/126
D668,237	S	*	10/2012	Chino	D14/126
D695,245	S	*	12/2013	Hara	D14/126
D698,795	S	*	2/2014	Chang	D14/451
D700,170	S	*	2/2014	Choi	D14/239
D700,187	S	*	2/2014	Lee	D14/451
D701,855	S	*	4/2014	Kumano	D14/239
D726,135	S	*	4/2015	Takechi	D14/126
D727,302	S	*	4/2015	Shin	D14/239
D728,527	S	*	5/2015	Kim	D14/217
D731,994	S	*	6/2015	Won	D14/126
D733,083	S	*	6/2015	Hwangbo	D14/126
D741,273	S	*	10/2015	Huh	D14/126
D741,275	S	*	10/2015	Huh	D14/126
D742,345	S	*	11/2015	Wang	D14/126
D746,241	S	*	12/2015	Kurihara	D14/126
D747,693	S	*	1/2016	Won	D14/126
D759,024	S	*	6/2016	Woo	D14/451
D761,237	S	*	7/2016	Moon	D14/239
D765,049	S	*	8/2016	Tanimura	D14/126
D778,856	S	*	2/2017	Yokota	D14/126
D784,305	S	*	4/2017	Lee	D14/239
D787,462	S	*	5/2017	Shiono	D14/126
D793,402	S	*	8/2017	Kwon	D14/451

D794,620	S	*	8/2017	Lee	D14/239
D795,851	S	*	8/2017	Kim	D14/239
D797,084	S	*	9/2017	Lee	D14/239
D818,999	S	*	5/2018	Kim	D14/239
D821,370	S	*	6/2018	Kim	D14/239
D827,601	S	*	9/2018	Kim	D14/126
D836,496	S	*	12/2018	Kim	D12/126
D841,609	S	*	2/2019	Kim	D14/126
D848,970	S	*	5/2019	Lim	D14/126
D853,365	S	*	7/2019	Seong	D14/239
D855,593	S	*	8/2019	Seong	D14/239
D865,730	S	*	11/2019	Seong	D14/239
D875,697	S	*	2/2020	Diao	D14/126
D886,111	S	*	6/2020	Kim	D14/451
D894,856	S	*	9/2020	Kim	D14/239
D897,324	S	*	9/2020	Lee	D14/239
D897,325	S	*	9/2020	Lee	D14/239
D898,687	S	*	10/2020	Kim	D14/239
D905,649	S	*	12/2020	Kim	D14/239
D924,858	S	*	7/2021	Choi	D14/239
D929,408	S	*	8/2021	Seo	D14/451
D929,409	S	*	8/2021	Seo	D14/451
D937,797	S	*	12/2021	Lee	G06F 1/18

2013/0329162	A1	*	12/2013	Fujii	G09F 9/301
						361/679.01

FOREIGN PATENT DOCUMENTS

EP			1757855	A2	*	2/2007	F16M 11/00
KR	30-2010-0019694					6/2011		
KR	30-2014-0063517					3/2016		
KR	30-2018-0040327					6/2019		
WO	D201596-008				*	2/2019		

OTHER PUBLICATIONS

“5000 series Android TV” [2020] www.usa.philips.com May 29, 2020 <https://www.usa.philips.com/c-p/65PFL5604_F7/5000-series-android-tv>.
 “LG 65UH5500 Stand/ Base / Legs 1530-PB600L00-21 (Screws Not Included)” [2020] www.replaceyourbase.net May 29, 2020 <<https://www.replaceyourbase.net/lg-65uh5500-stand-base-legs-1530-pb600l00-21-screws-not-included/>>.
 “[“일반” 139cm 커브드 UHD TV / EN-SL550CU] [2017] www.e-himart.com Sep. 2017 <http://www.e-himart.co.kr/app/goods/goodsDetail?goodsNo=0000183769&fromShop=dnw&service_id=elecndn>.

* cited by examiner

FIG. 1

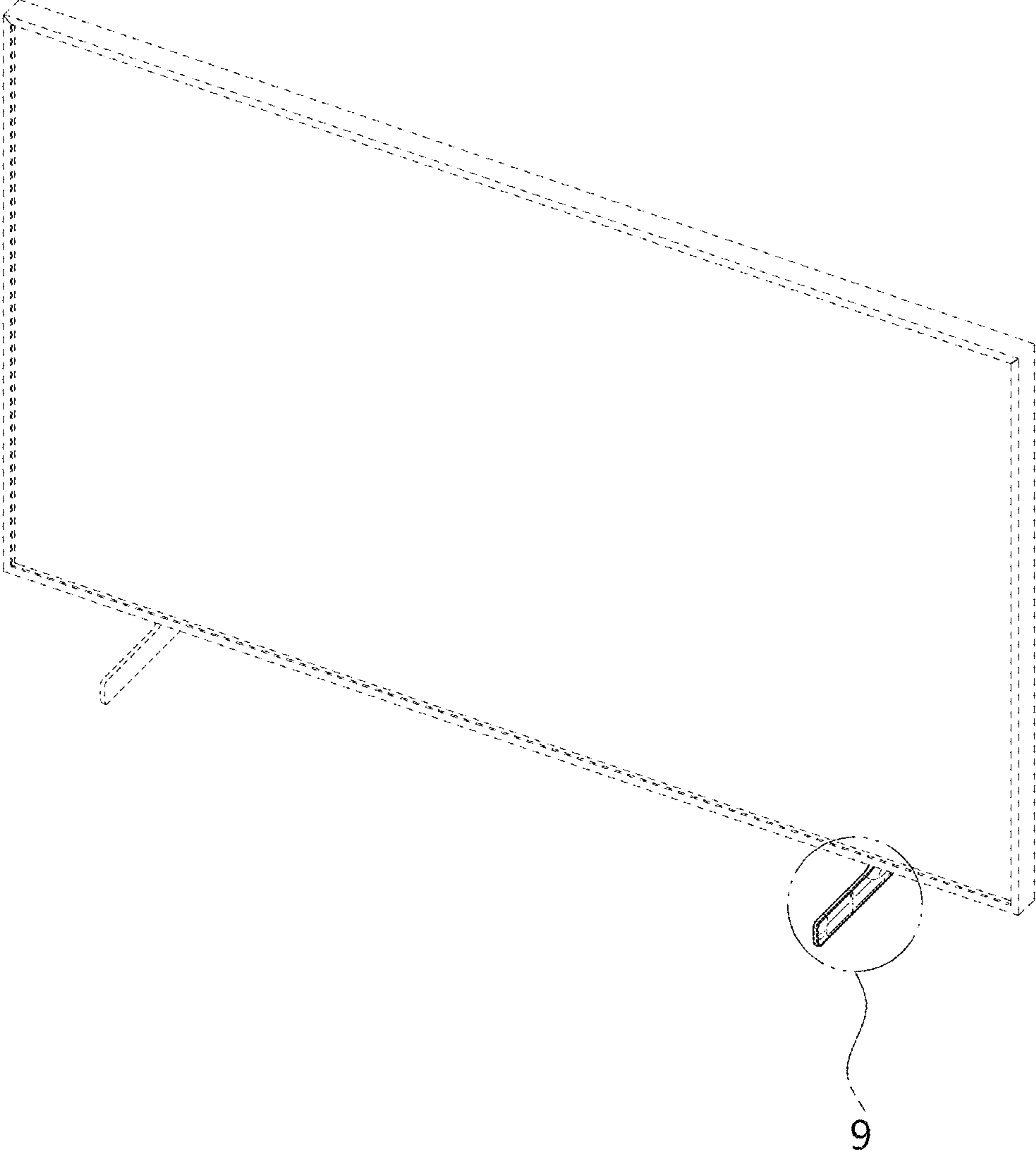


FIG. 2

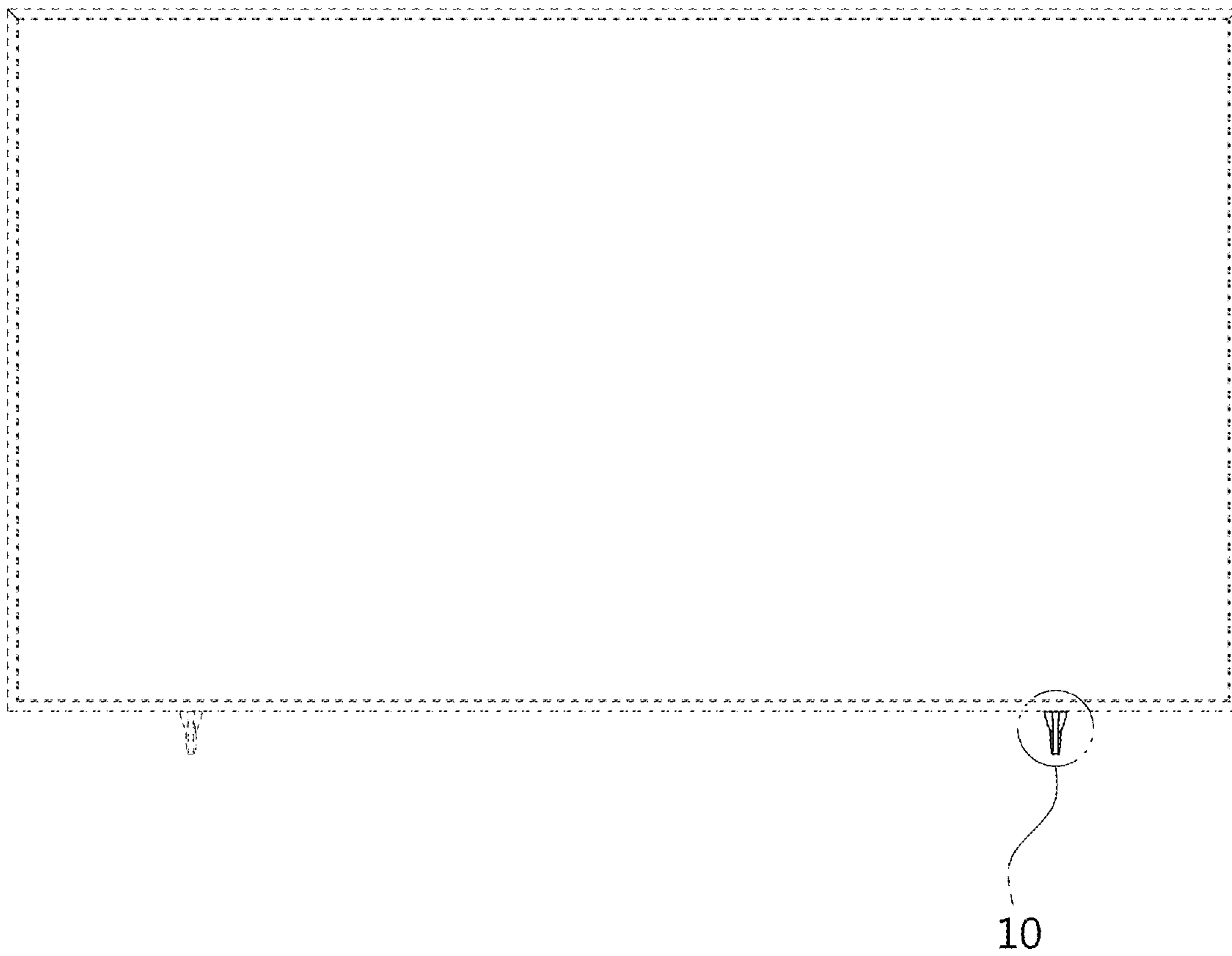


FIG. 3

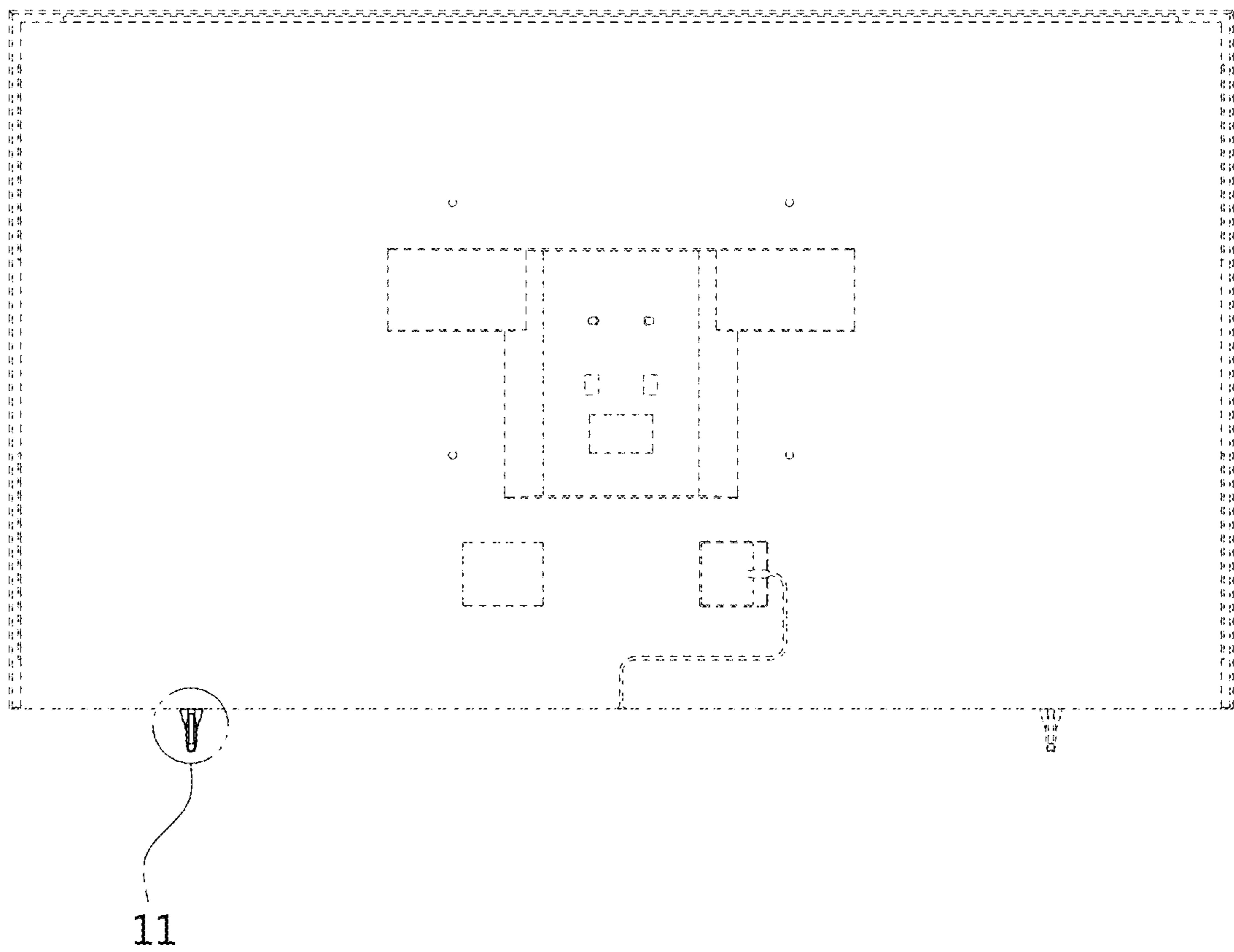


FIG. 4

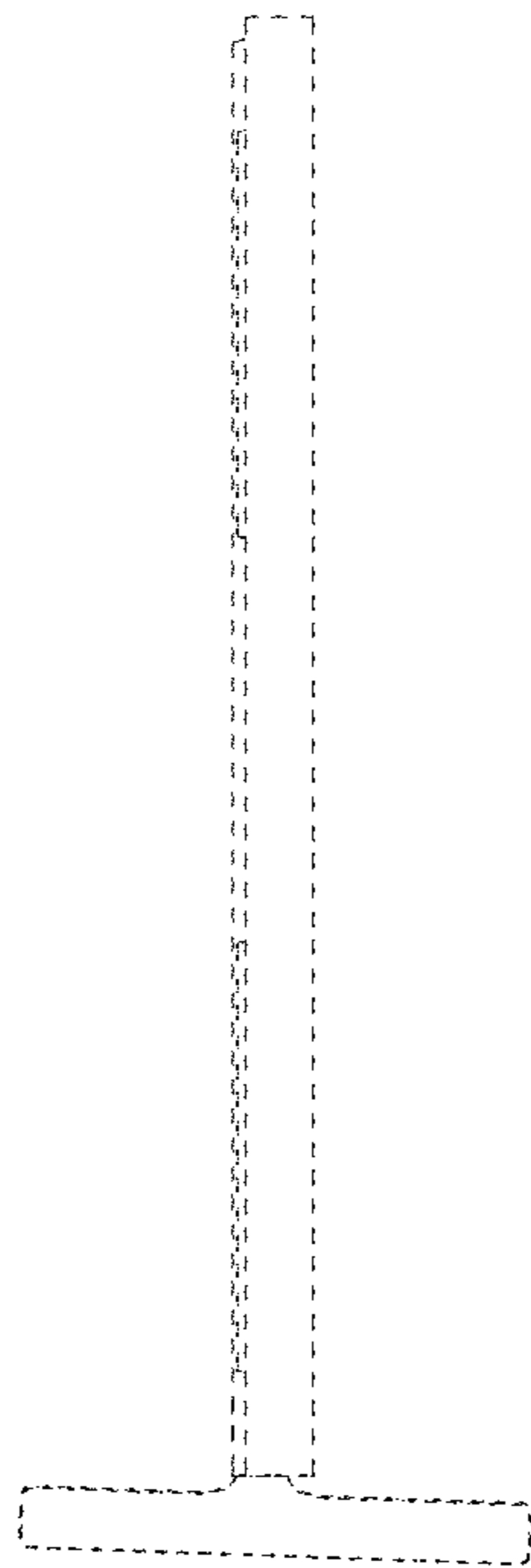


FIG. 5

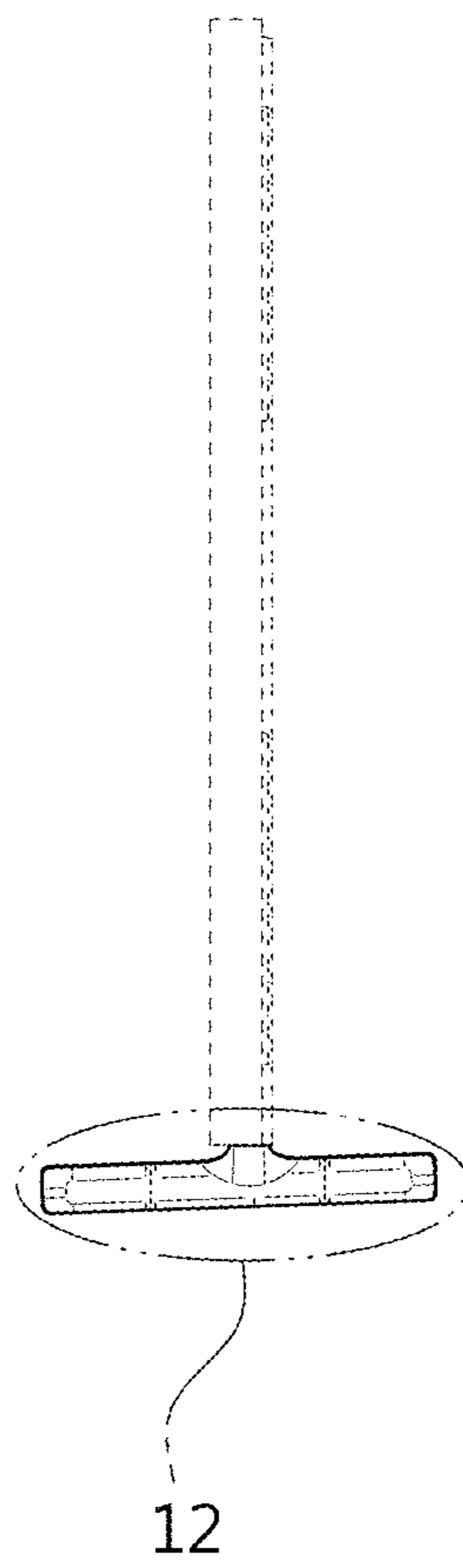


FIG. 6



FIG. 7

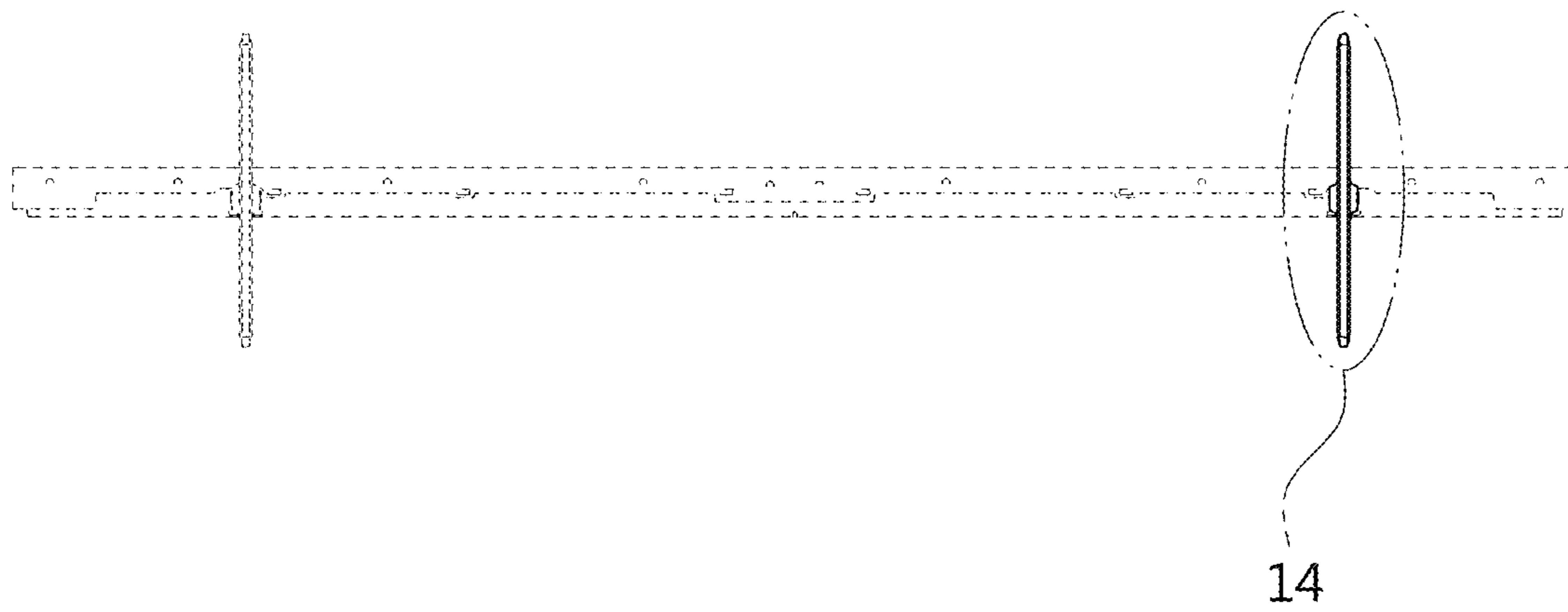


FIG. 8

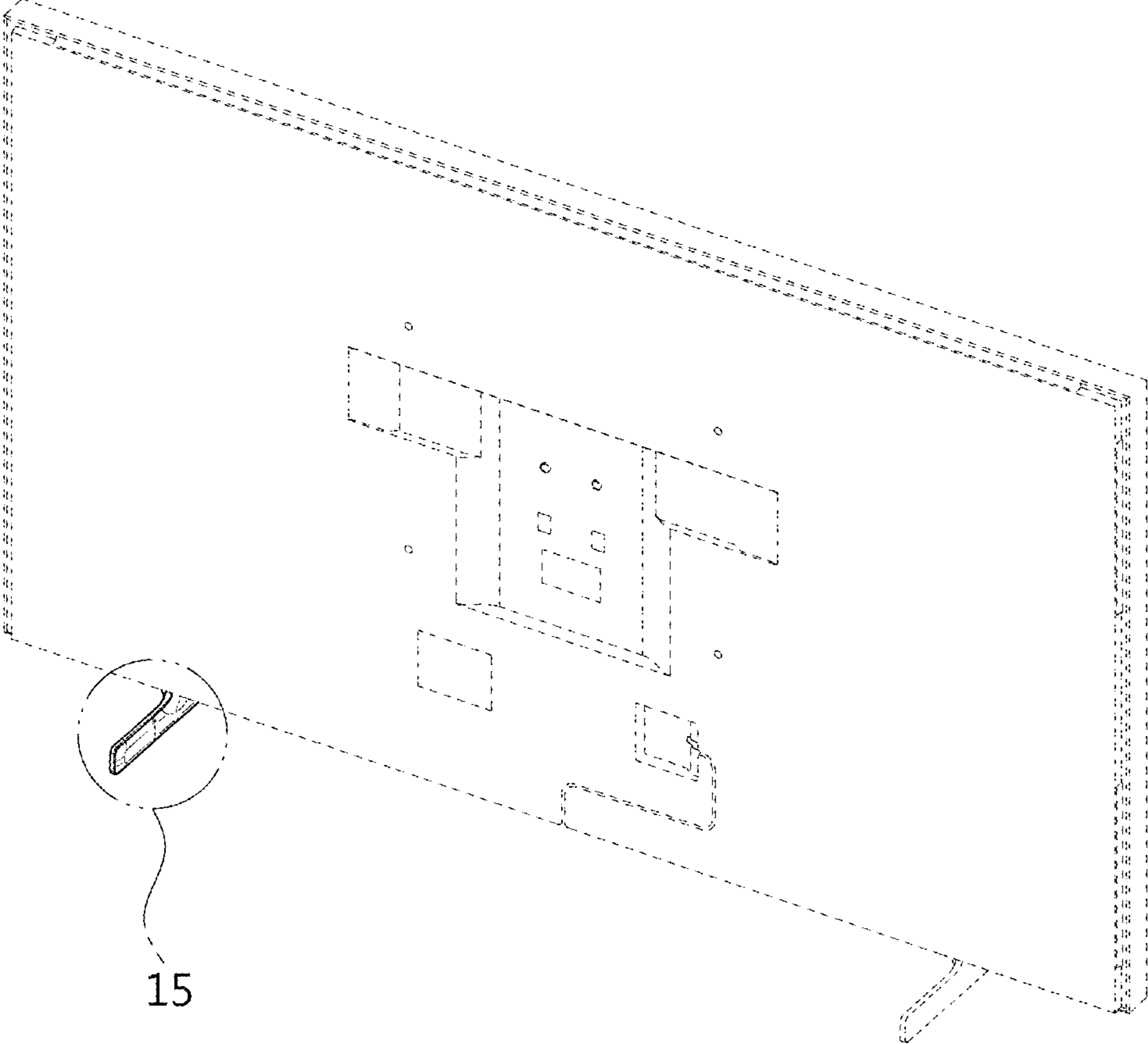


FIG. 9

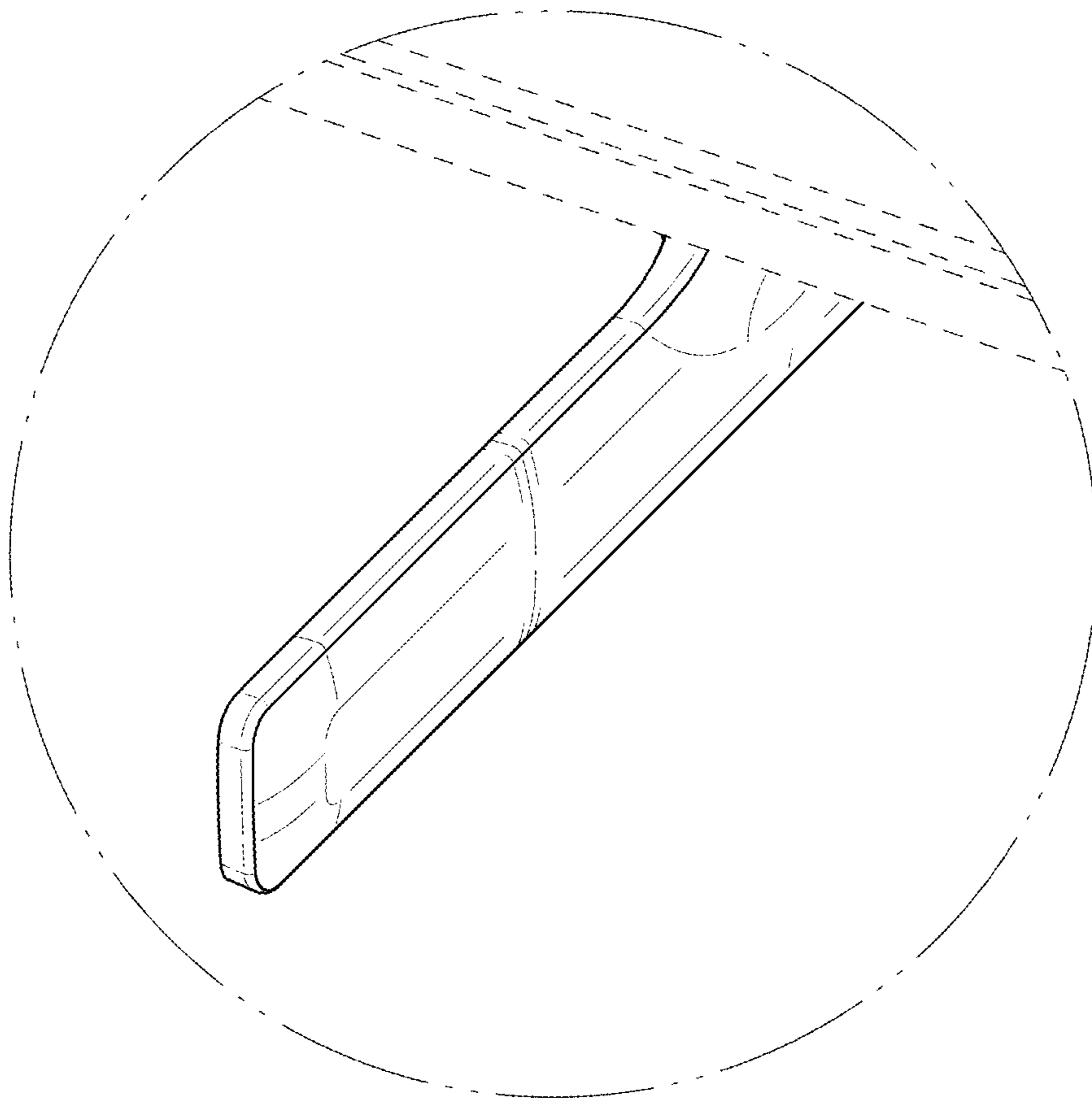


FIG. 10

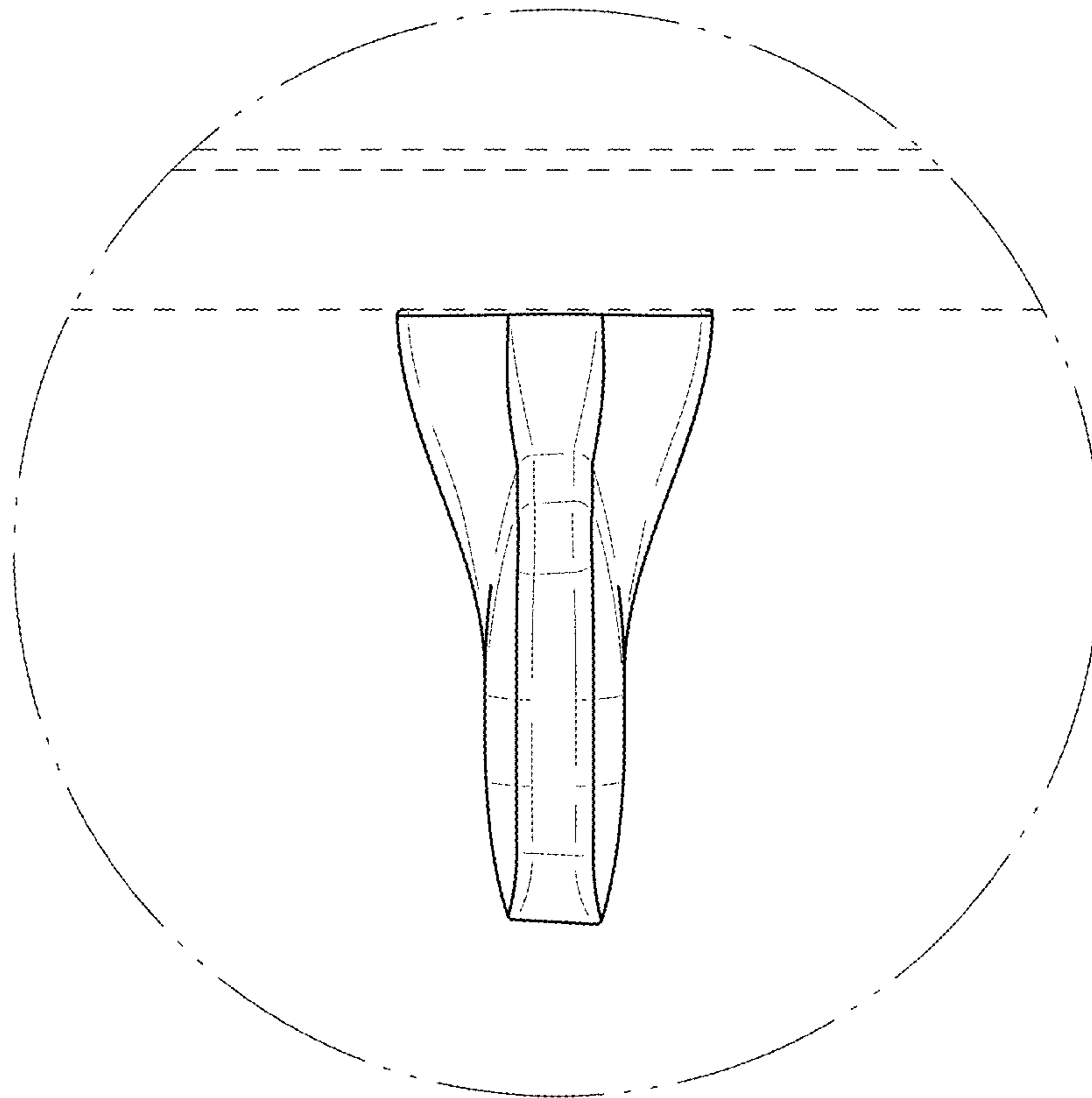


FIG. 11

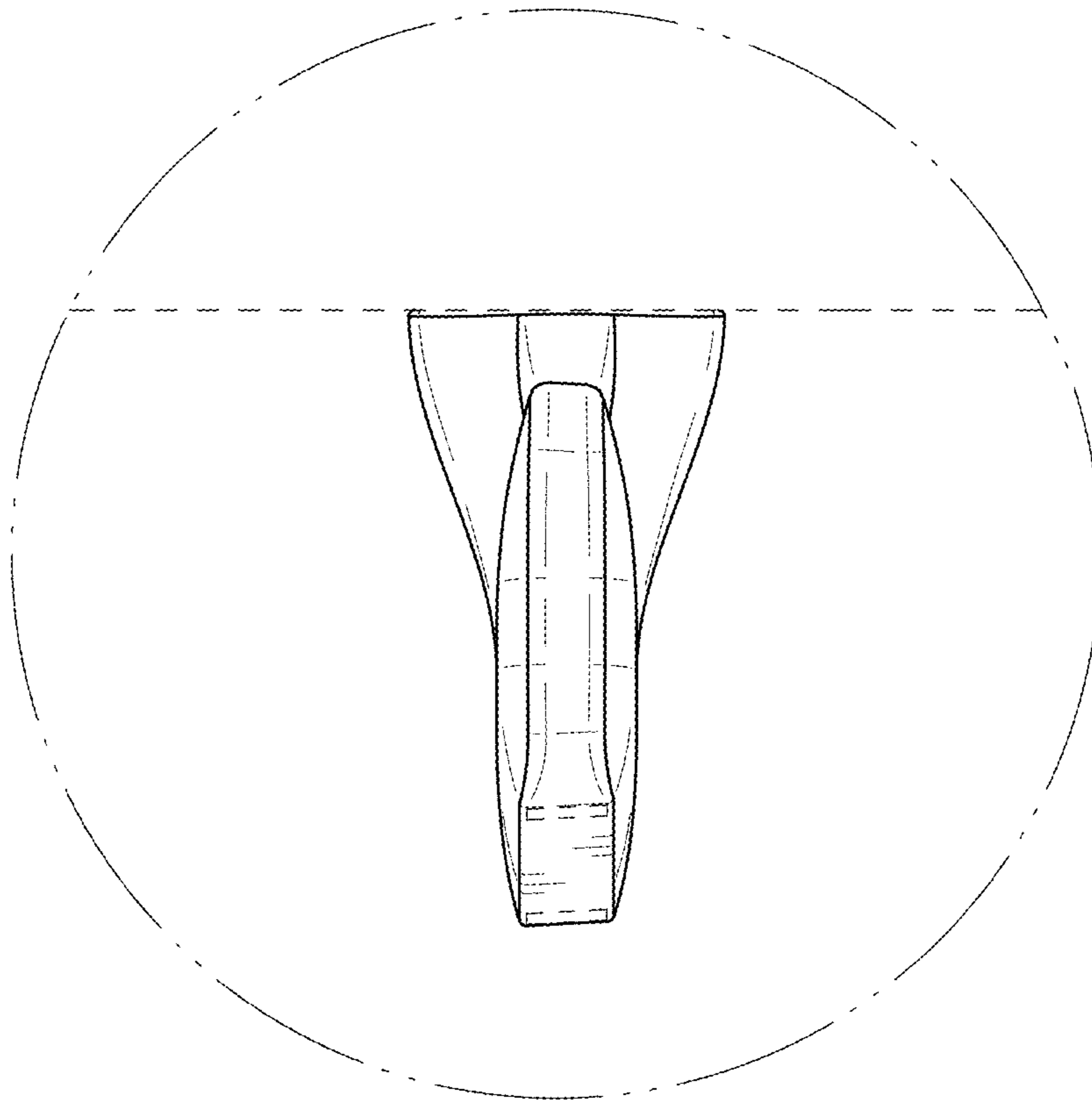


FIG. 12

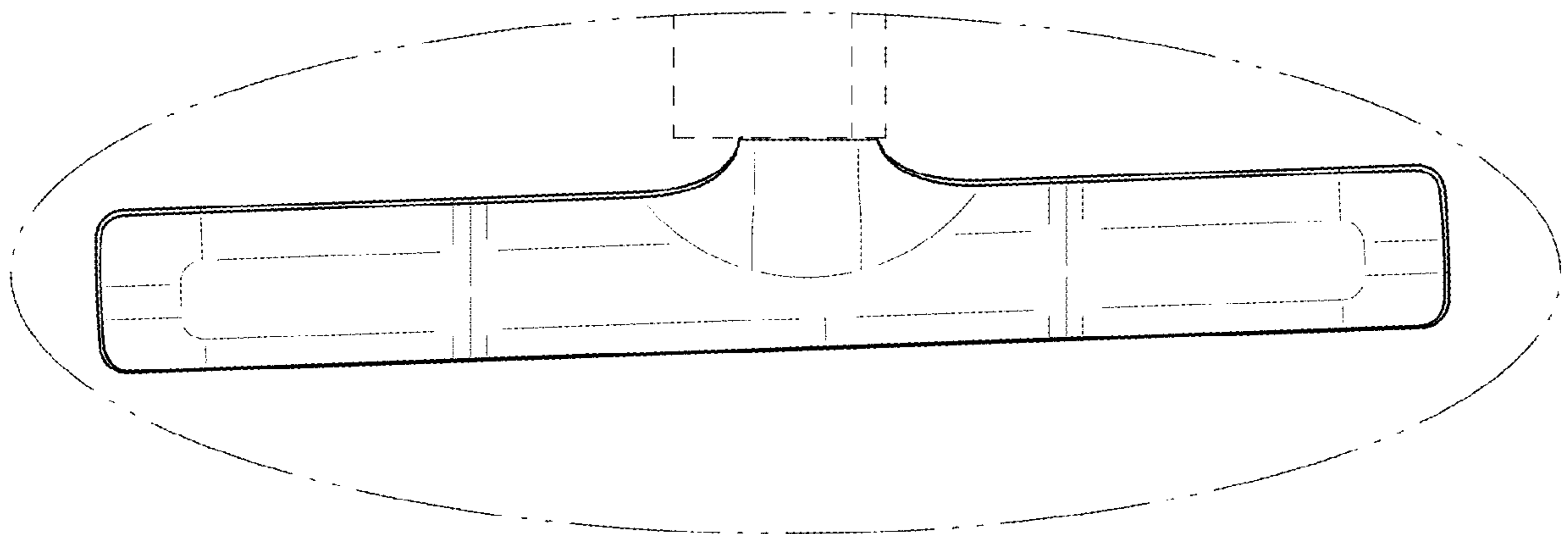


FIG. 13

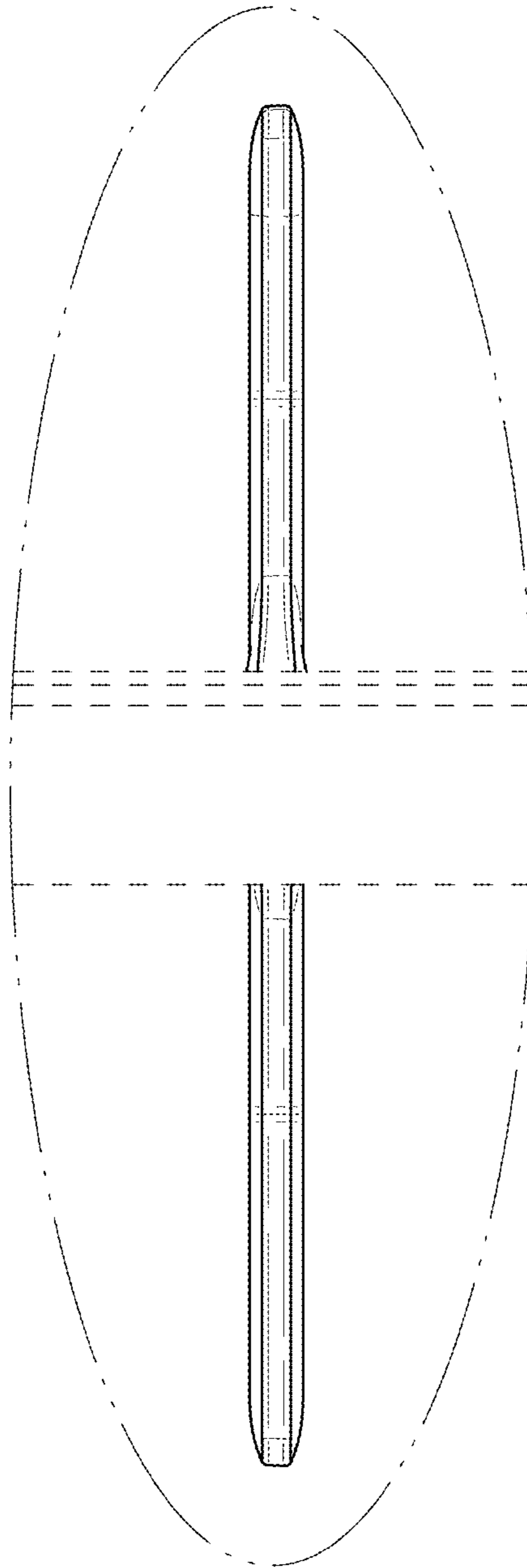


FIG. 14

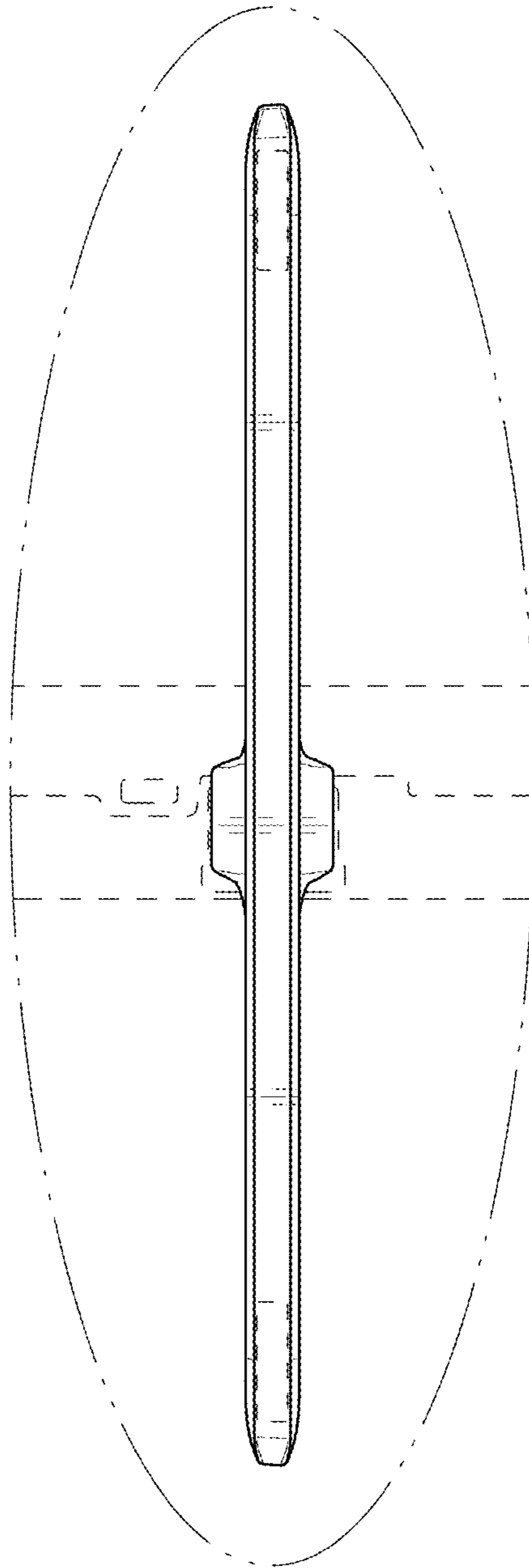


FIG. 15

