



US00D958122S

(12) **United States Design Patent**  
**Ren et al.**

(10) **Patent No.:** **US D958,122 S**  
(45) **Date of Patent:** **\*\* Jul. 19, 2022**

- (54) **DISPLAY CART**
- (71) Applicant: **SHENZHEN VGOODE TECHNOLOGIES CO., LTD.**,  
Shenzhen (CN)
- (72) Inventors: **Huaide Ren**, Anaheim, CA (US); **Ying Zhang**, Anaheim, CA (US); **Yuan Huo**,  
Anaheim, CA (US); **Wentao Wang**,  
Anaheim, CA (US)
- (73) Assignee: **SHENZHEN VGOODE TECHNOLOGIES CO., LTD.**,  
Shenzhen (CN)
- (\*\*) Term: **15 Years**
- (21) Appl. No.: **29/663,451**
- (22) Filed: **Sep. 14, 2018**
- (51) **LOC (13) Cl.** ..... **14-03**
- (52) **U.S. Cl.**  
USPC ..... **D14/239; D6/672**
- (58) **Field of Classification Search**  
USPC ..... D6/300, 672, 673, 675, 681, 681.1,  
D6/681.2, 682, 682.3, 700, 512;  
D14/432, 448, 451, 238.1, 239  
CPC ..... H02J 9/062; H02J 7/0047; H02J 7/0048;  
H02J 9/068; B62B 3/1424; G01R  
31/3842; H04N 5/63  
See application file for complete search history.

- 7,261,261 B2 \* 8/2007 Ligertwood ..... A47B 21/00  
248/129
- 7,290,777 B2 \* 11/2007 Preston ..... B62B 3/10  
211/187
- D559,577 S \* 1/2008 Quinn ..... D6/300
- D584,076 S \* 1/2009 Stengel ..... D6/672
- D595,977 S \* 7/2009 Stebbens ..... D6/681.2
- D598,458 S \* 8/2009 Li ..... D14/451
- D600,046 S \* 9/2009 Keisen ..... D6/681.1
- D600,945 S \* 9/2009 Keisen ..... D14/451
- D608,113 S \* 1/2010 Koh ..... D6/682
- D615,072 S \* 5/2010 Saitou ..... D14/239
- D626,763 S \* 11/2010 Koh ..... D6/681.1
- D638,637 S \* 5/2011 Foley ..... D6/681.2

(Continued)

*Primary Examiner* — Steven J Czynz  
(74) *Attorney, Agent, or Firm* — Anova Law Group,  
PLLC

(57) **CLAIM**

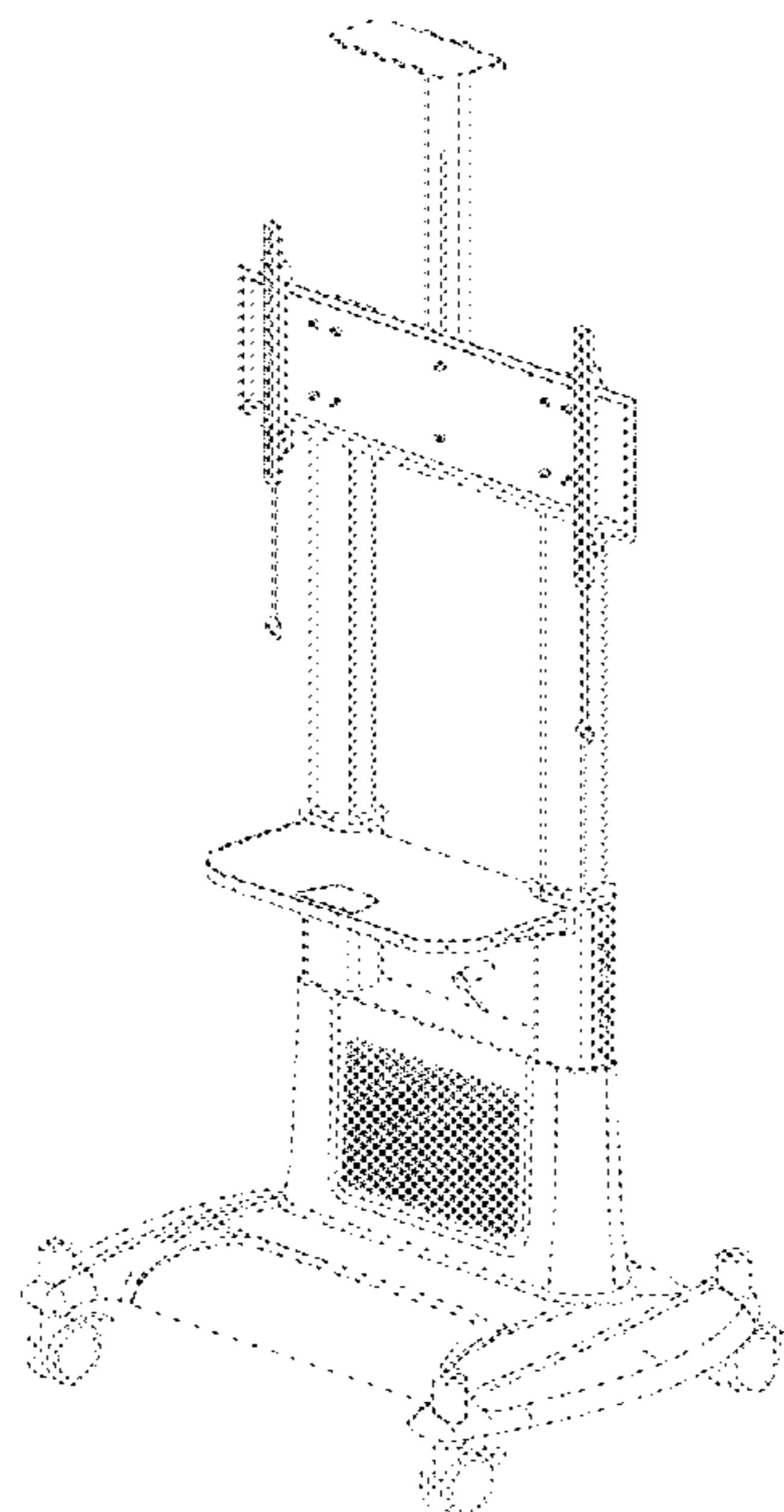
The ornamental design for a display cart, as shown and described.

**DESCRIPTION**

FIG. 1 is a perspective view of a display cart in accordance with the present disclosure;  
FIG. 2 is a front view of the display cart shown in FIG. 1;  
FIG. 3 is an enlarged view of portion A of FIG. 2;  
FIG. 4 is a back view of the display cart shown in FIG. 1;  
FIG. 5 is an enlarged view of portion B of FIG. 4;  
FIG. 6 is a left side view of the display cart shown in FIG. 1;  
FIG. 7 is a right side view of the display cart shown in FIG. 1;  
FIG. 8 is a top view of the display cart shown in FIG. 1; and,  
FIG. 9 is a bottom view of the display cart shown in FIG. 1.  
The broken lines depict portions of the article that form no part of the claimed design.

- (56) **References Cited**  
U.S. PATENT DOCUMENTS  
D417,980 S \* 12/1999 Fraquelli ..... D6/656.15  
D474,047 S \* 5/2003 Lara ..... D6/675.1  
D535,826 S \* 1/2007 Toghianian ..... D6/300  
7,195,214 B2 \* 3/2007 Lee ..... F16M 11/08  
248/125.8

**1 Claim, 9 Drawing Sheets**



(56)

References Cited

U.S. PATENT DOCUMENTS

D642,183 S \* 7/2011 Chinuki ..... F16M 11/10  
 D14/451  
 D643,027 S \* 8/2011 Calco ..... D14/239  
 8,070,114 B2 \* 12/2011 Chen ..... F16M 11/14  
 248/121  
 8,534,615 B2 \* 9/2013 Huang ..... F16M 11/24  
 248/125.1  
 D720,165 S \* 12/2014 Kincaid ..... D6/681.2  
 D722,794 S \* 2/2015 Luong ..... D6/673  
 D739,947 S \* 9/2015 Maier ..... D24/186  
 D742,863 S \* 11/2015 Aoyagi ..... D14/239  
 9,366,379 B2 \* 6/2016 Bowman ..... F16M 11/24  
 D800,135 S \* 10/2017 Ramey, III ..... D14/451  
 D850,833 S \* 6/2019 Gevaert ..... D6/700  
 D852,175 S \* 6/2019 Morita ..... D14/239  
 D852,789 S \* 7/2019 Pei ..... D14/239  
 D853,403 S \* 7/2019 Lyu ..... D14/451  
 D866,537 S \* 11/2019 Knapp ..... D14/239  
 D874,449 S \* 2/2020 Ahrens ..... D14/239

10,742,067 B2 \* 8/2020 Ren ..... H02J 7/0047  
 D895,635 S \* 9/2020 Sitoh ..... D14/452  
 D905,070 S \* 12/2020 Pei ..... D14/451  
 D912,024 S \* 3/2021 Pei ..... D14/239  
 D913,998 S \* 3/2021 Pei ..... D14/239  
 D913,999 S \* 3/2021 Pei ..... D14/239  
 D914,654 S \* 3/2021 Pei ..... D14/239  
 D914,656 S \* 3/2021 Pei ..... D14/239  
 D914,657 S \* 3/2021 Pei ..... D14/239  
 D914,658 S \* 3/2021 Pei ..... D14/239  
 D914,659 S \* 3/2021 Xu ..... D14/239  
 D916,690 S \* 4/2021 Kuroda ..... D14/239  
 D917,438 S \* 4/2021 Kuroda ..... D14/239  
 D919,630 S \* 5/2021 Lyu ..... D14/451  
 11,002,574 B2 \* 5/2021 Qiu ..... F16M 11/2085  
 D920,987 S \* 6/2021 Lyu ..... D14/451  
 D921,621 S \* 6/2021 Zou ..... D14/239  
 D923,017 S \* 6/2021 Pei ..... D14/451  
 2015/0257291 A1 \* 9/2015 Yu ..... G06F 1/1637  
 361/679.08  
 2017/0202351 A1 \* 7/2017 Bowman ..... F16M 11/2014  
 2020/0152098 A1 \* 5/2020 Jokelainen ..... F16M 11/10

\* cited by examiner

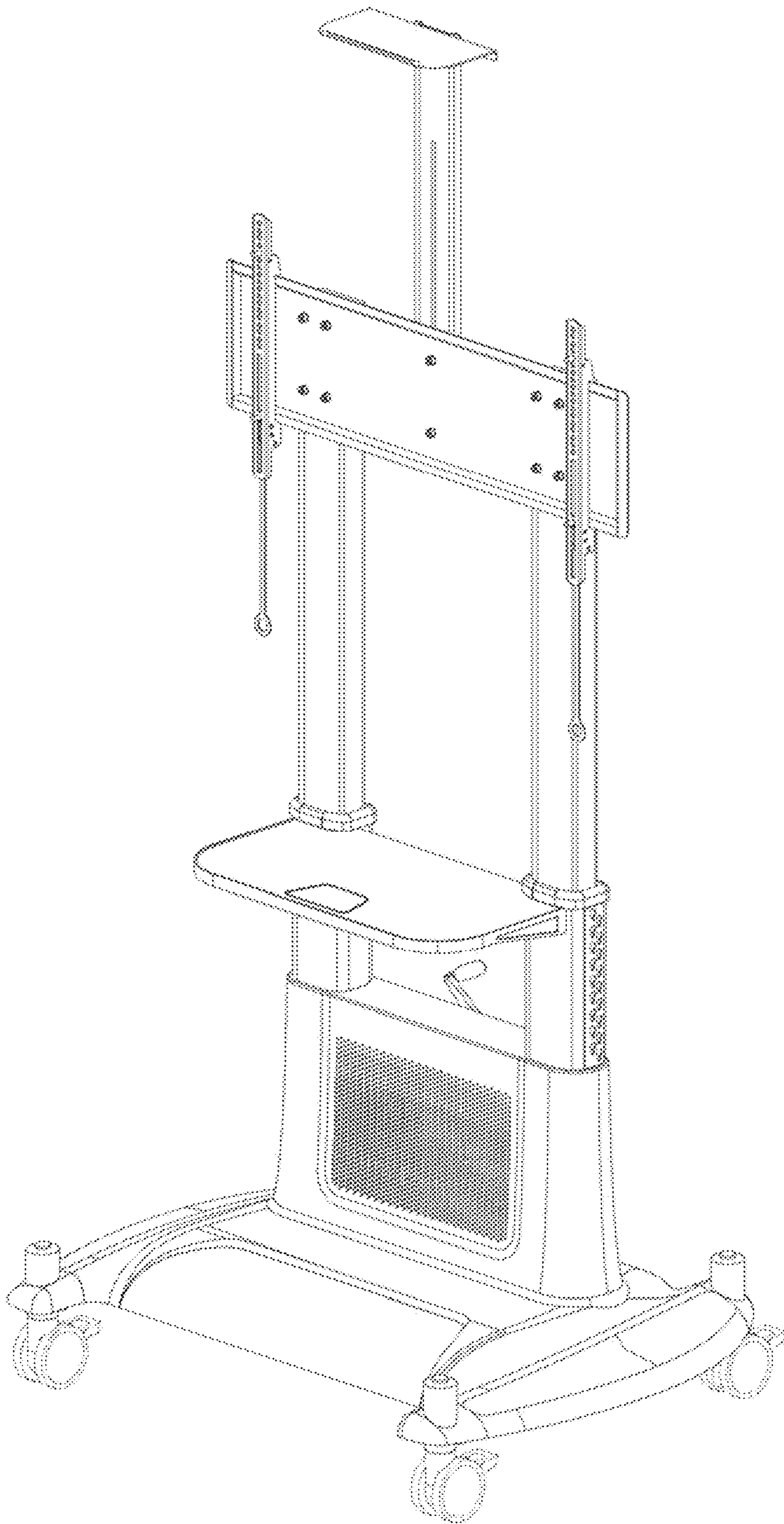


FIG. 1



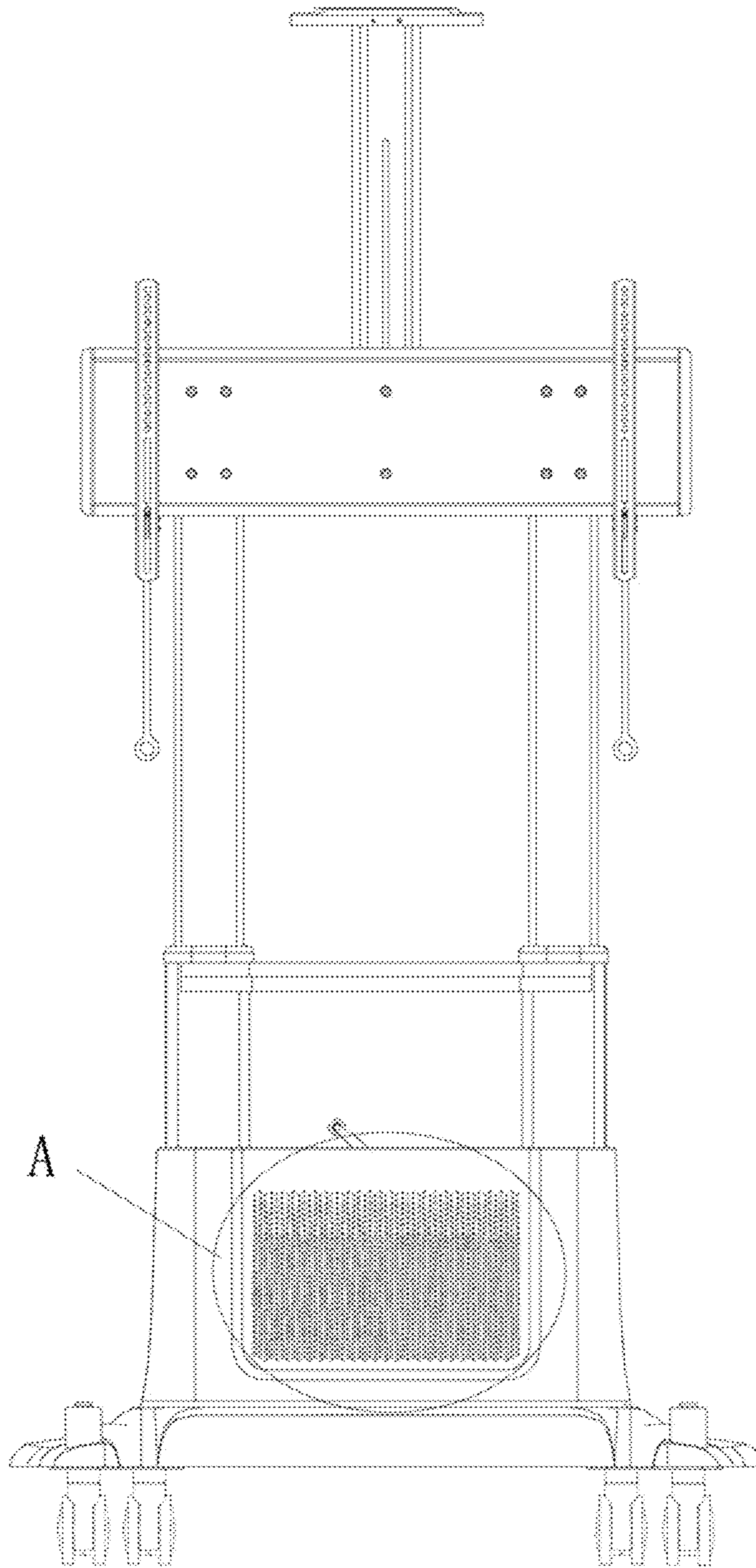


FIG. 2

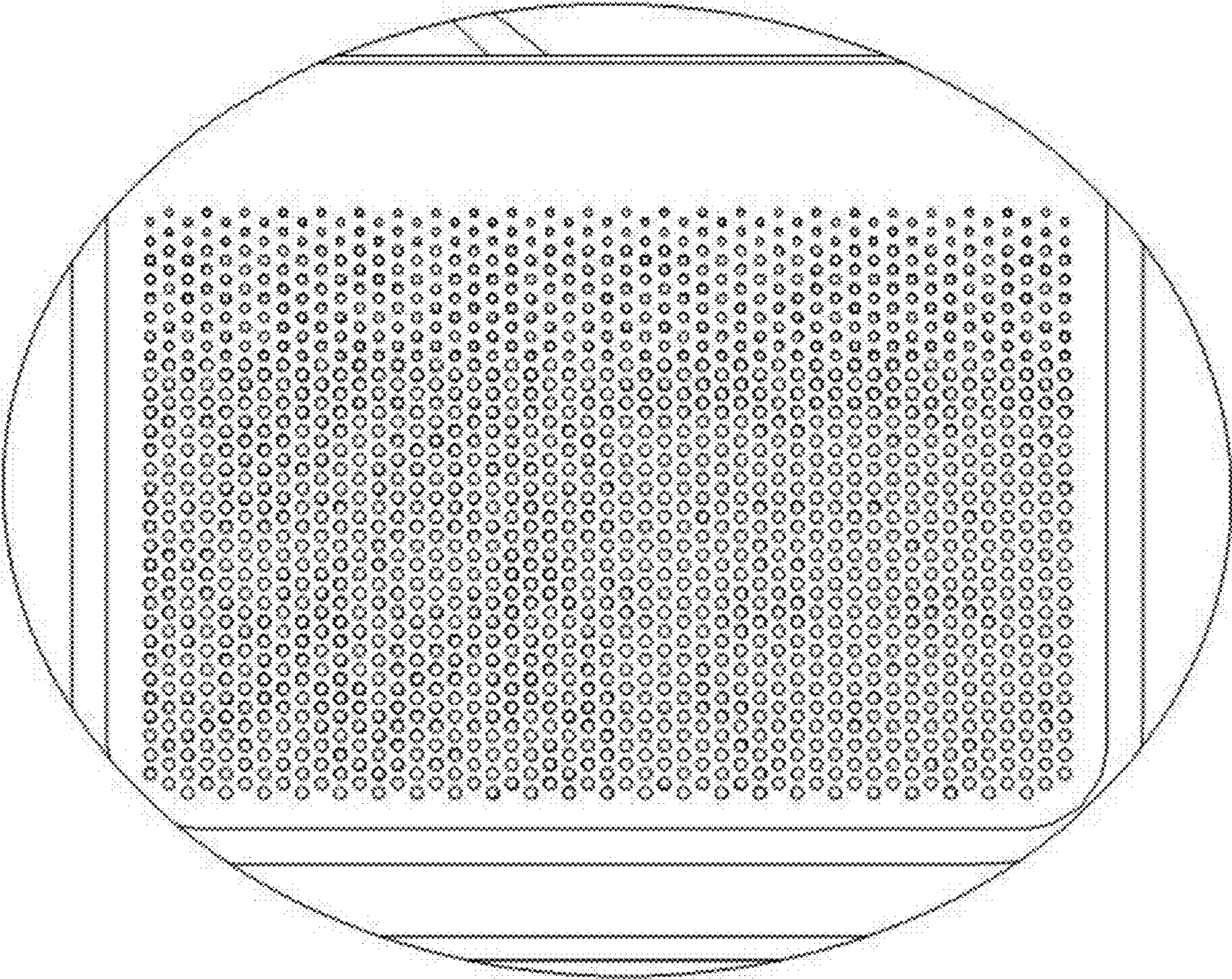


FIG. 3



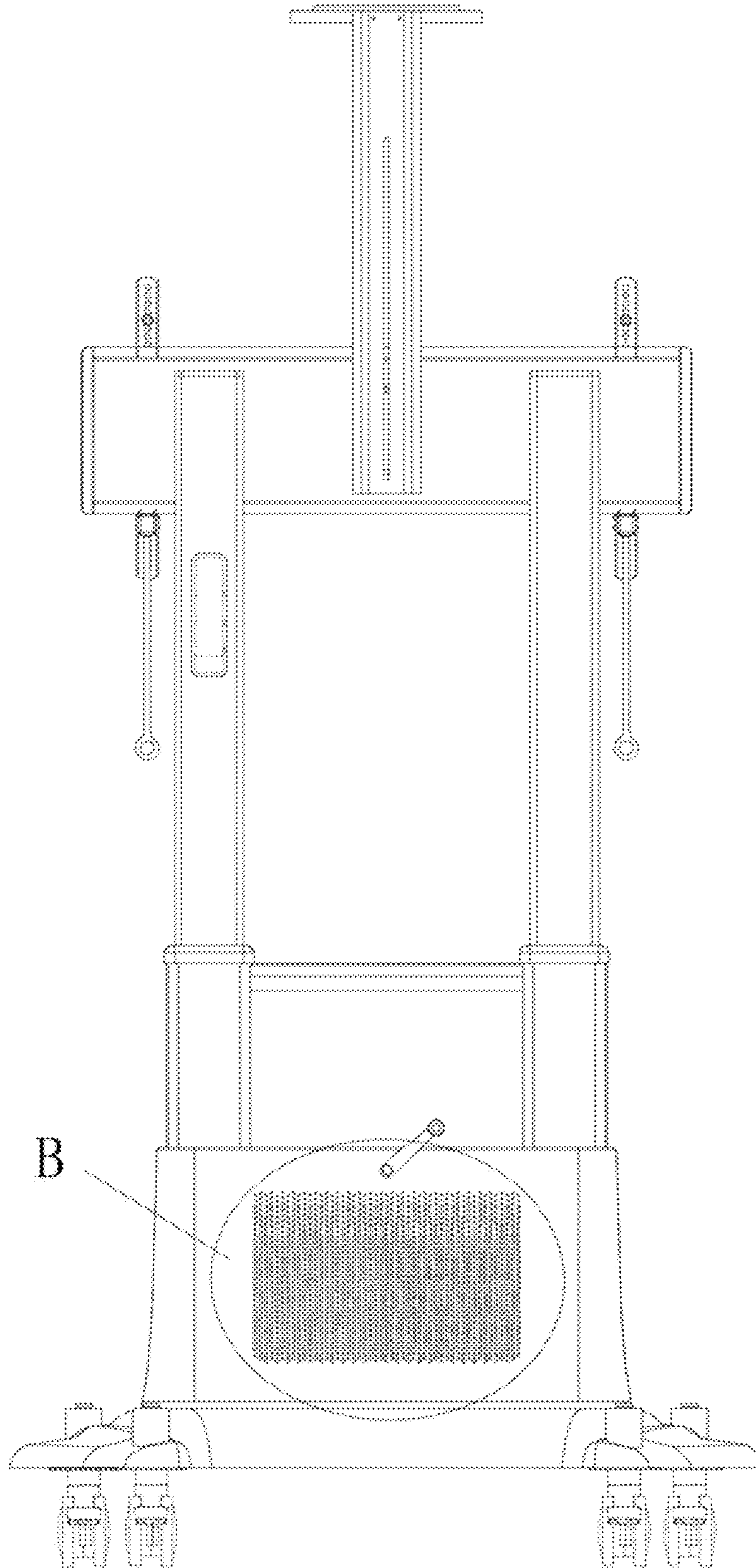


FIG. 4

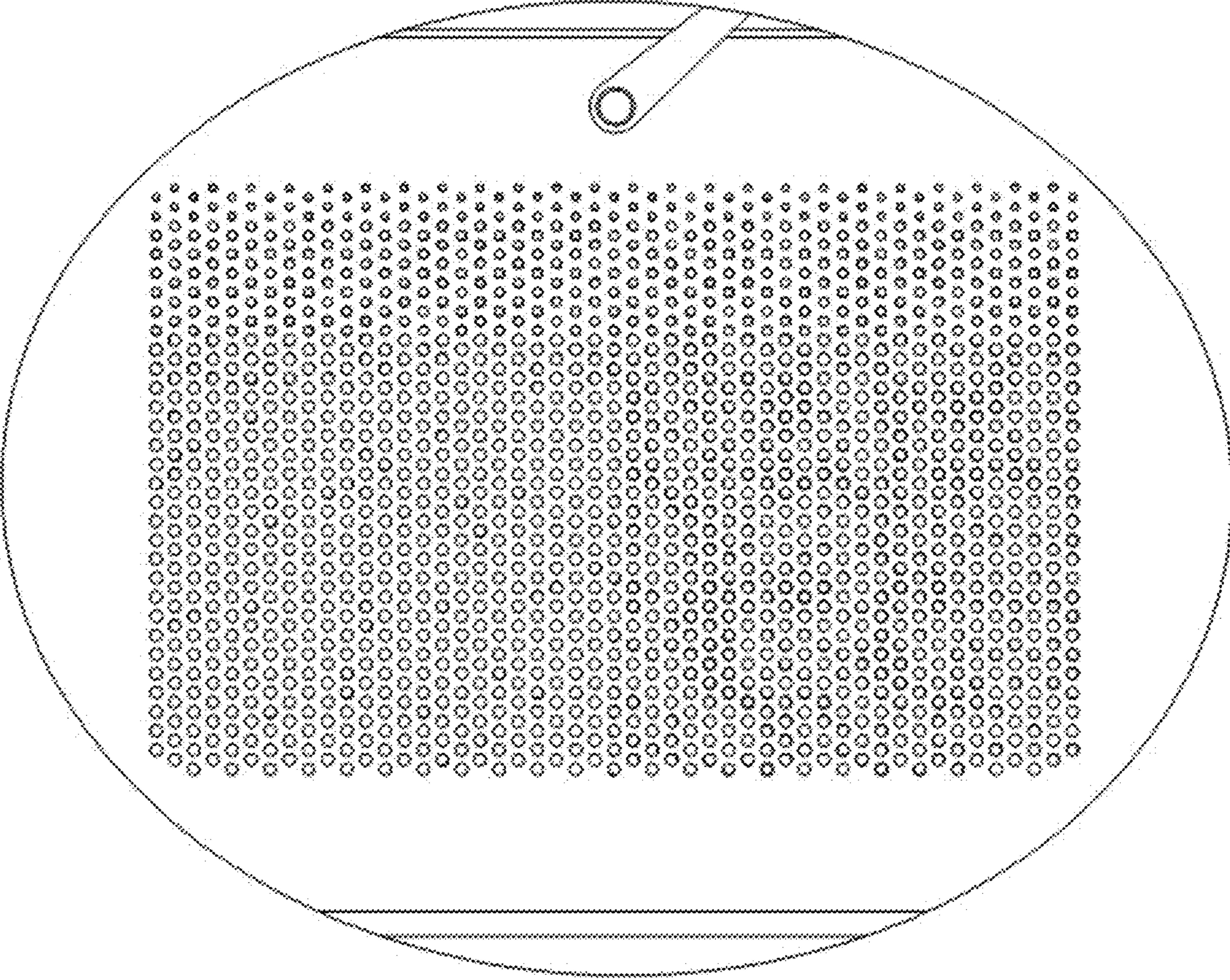


FIG. 5

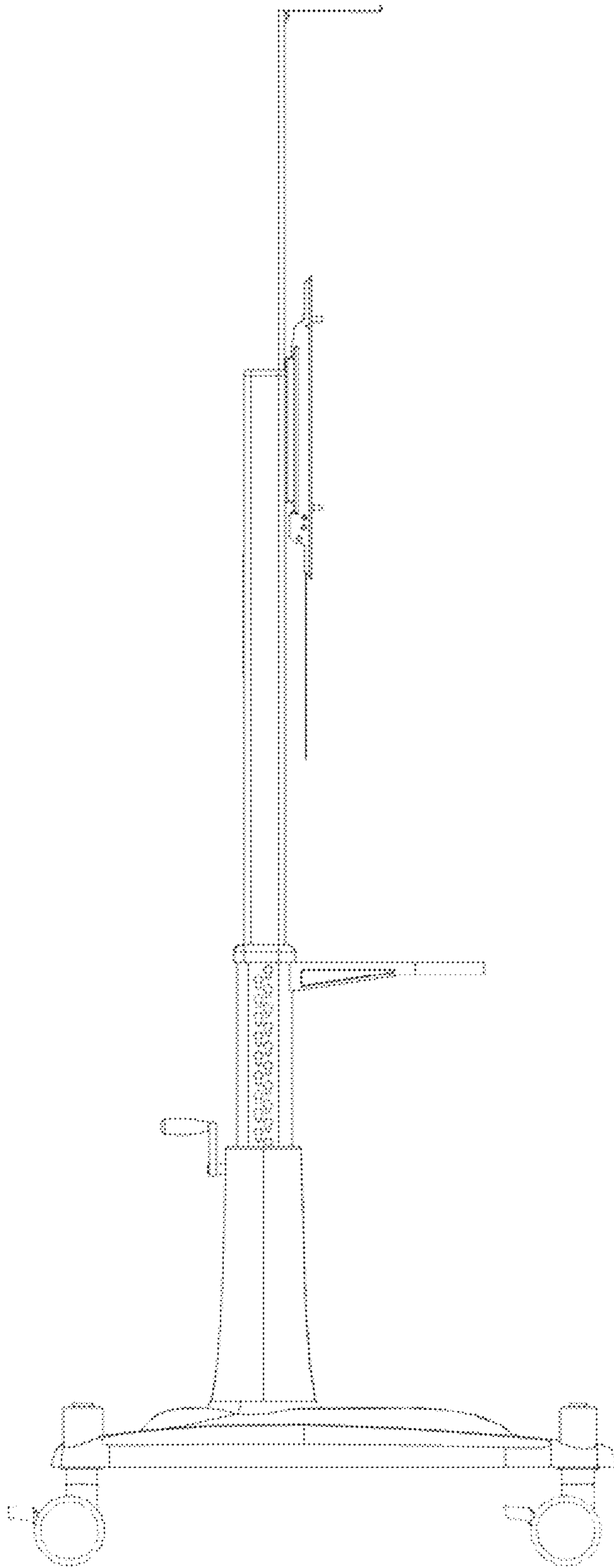


FIG.6



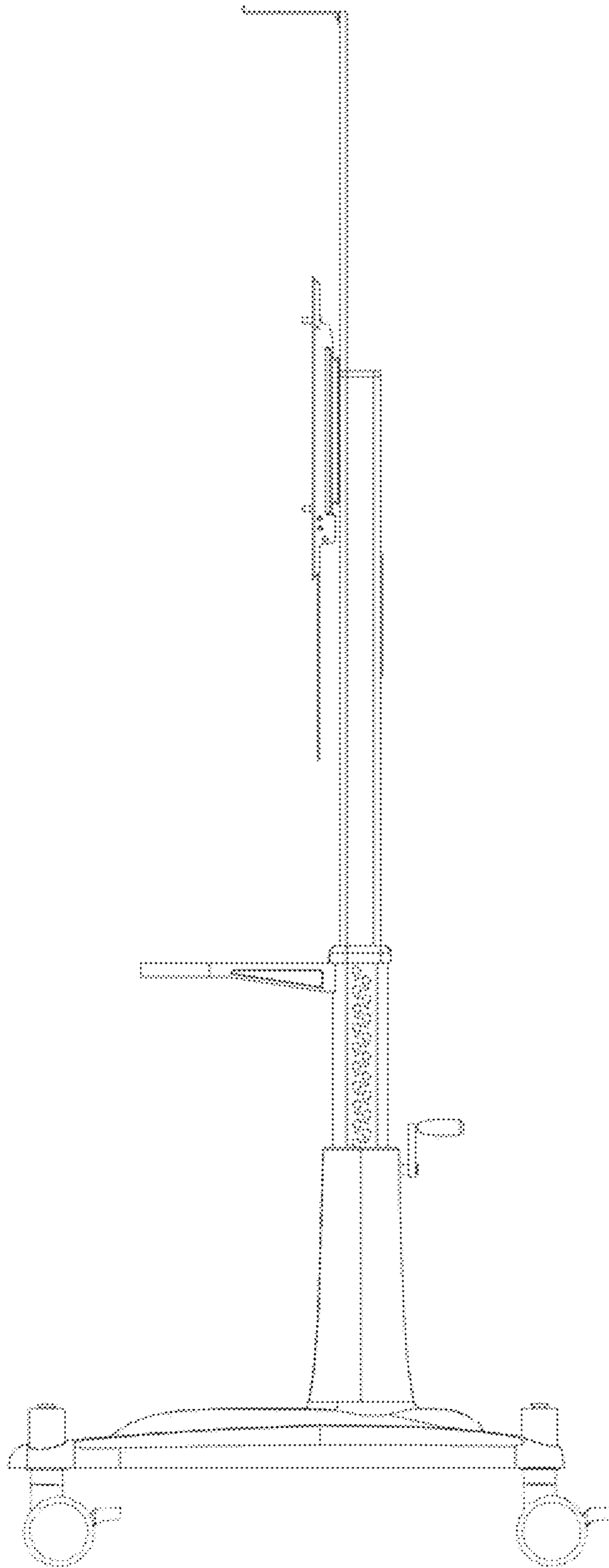


FIG.7

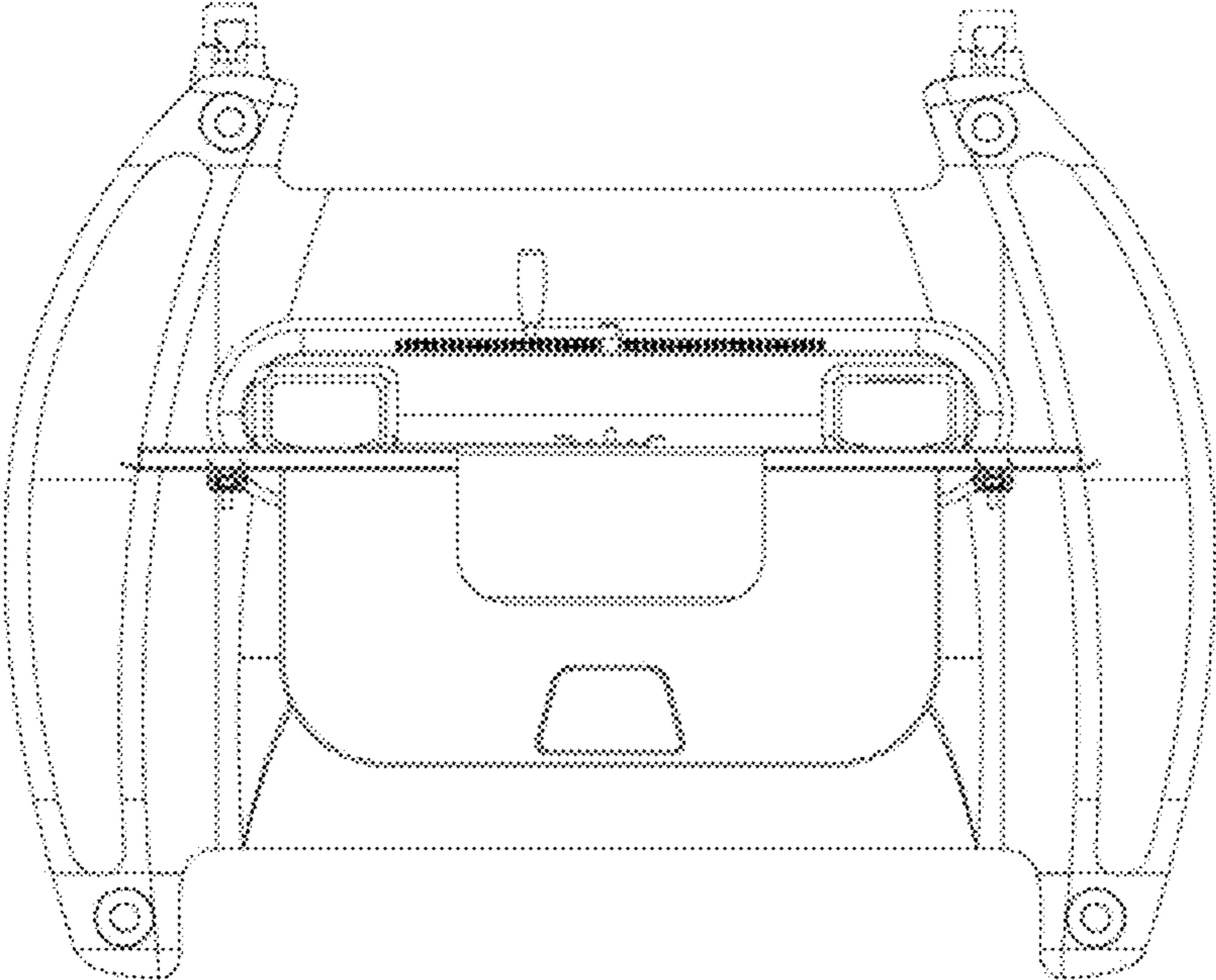


FIG. 8



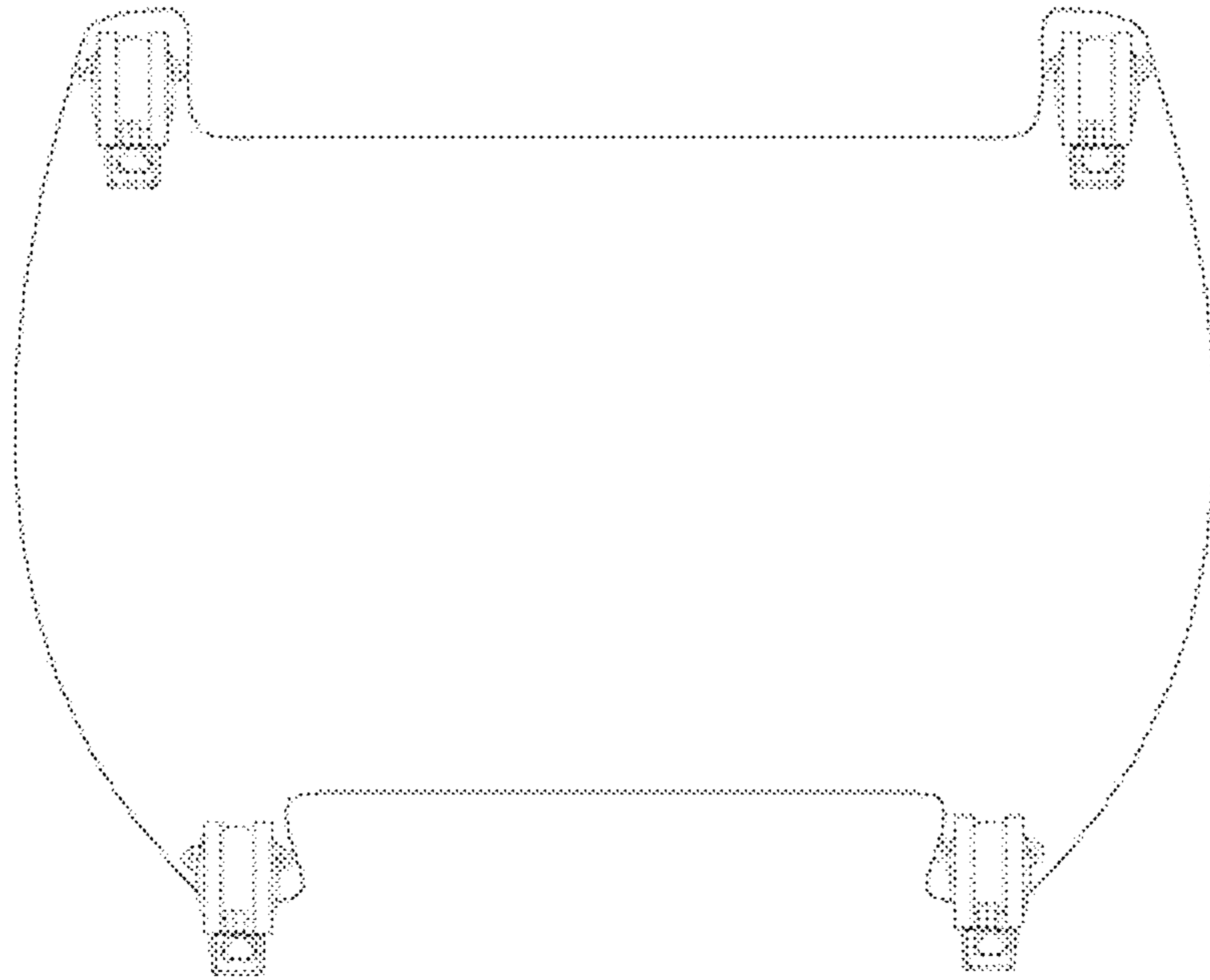


FIG. 9