



US00D958121S

(12) **United States Design Patent**  
**Dawson**

(10) **Patent No.:** **US D958,121 S**  
(45) **Date of Patent:** **\*\* Jul. 19, 2022**

(54) **SLED FOR A WIRELESS ANTENNA**

(71) Applicant: **Ridge Equipment Company, Inc.**,  
Westminster, MD (US)

(72) Inventor: **Nicholas Dawson**, Westminster, MD  
(US)

(73) Assignee: **RIDGE EQUIPMENT COMPANY,  
INC.**, Westminster, MD (US)

(\*\*) Term: **15 Years**

(21) Appl. No.: **29/797,790**

(22) Filed: **Jul. 2, 2021**

**Related U.S. Application Data**

(63) Continuation of application No. 29/733,032, filed on  
Apr. 29, 2020, now Pat. No. Des. 924,212.

(51) **LOC (13) Cl.** ..... **14-03**

(52) **U.S. Cl.**  
USPC ..... **D14/238**

(58) **Field of Classification Search**  
USPC ..... D14/138, 230-238, 299, 358; D8/364,  
D8/366, 349; D12/42, 43  
CPC ..... H01Q 13/10; H01Q 9/285; H01Q 19/30;  
H01Q 19/12; H01Q 1/36; H04B 1/0475  
See application file for complete search history.

(56) **References Cited**

**U.S. PATENT DOCUMENTS**

D277,578 S	2/1985	Nichols	
D359,272 S	6/1995	Fahy	
7,268,743 B2	9/2007	Lin	
D573,589 S	7/2008	Montgomery et al.	
D588,586 S	3/2009	Montgomery et al.	
D662,806 S	7/2012	Shaw et al.	
8,368,606 B1 *	2/2013	Haugan	H01Q 1/3216 343/912

8,867,986 B1	10/2014	Tarpley, Jr.	
D781,824 S	3/2017	Mottert et al.	
10,634,122 B1 *	4/2020	Clifton	H02S 30/10
D890,149 S *	7/2020	Yang	D14/238
D895,588 S	9/2020	Blouch et al.	
D908,668 S	1/2021	Blouch et al.	
D924,212 S *	7/2021	Dawson	D14/238
2008/0055170 A1 *	3/2008	Madden, Jr.	H01Q 1/3216 343/840

**OTHER PUBLICATIONS**

Information that are not included with this Information Disclosure  
Statement can be found in U.S. Appl. No. 29/733,032.

\* cited by examiner

*Primary Examiner* — Keli L Hill

*Assistant Examiner* — Harold E Blackwell, II

(74) *Attorney, Agent, or Firm* — Miles & Stockbridge  
P.C.; David R. Schaffer

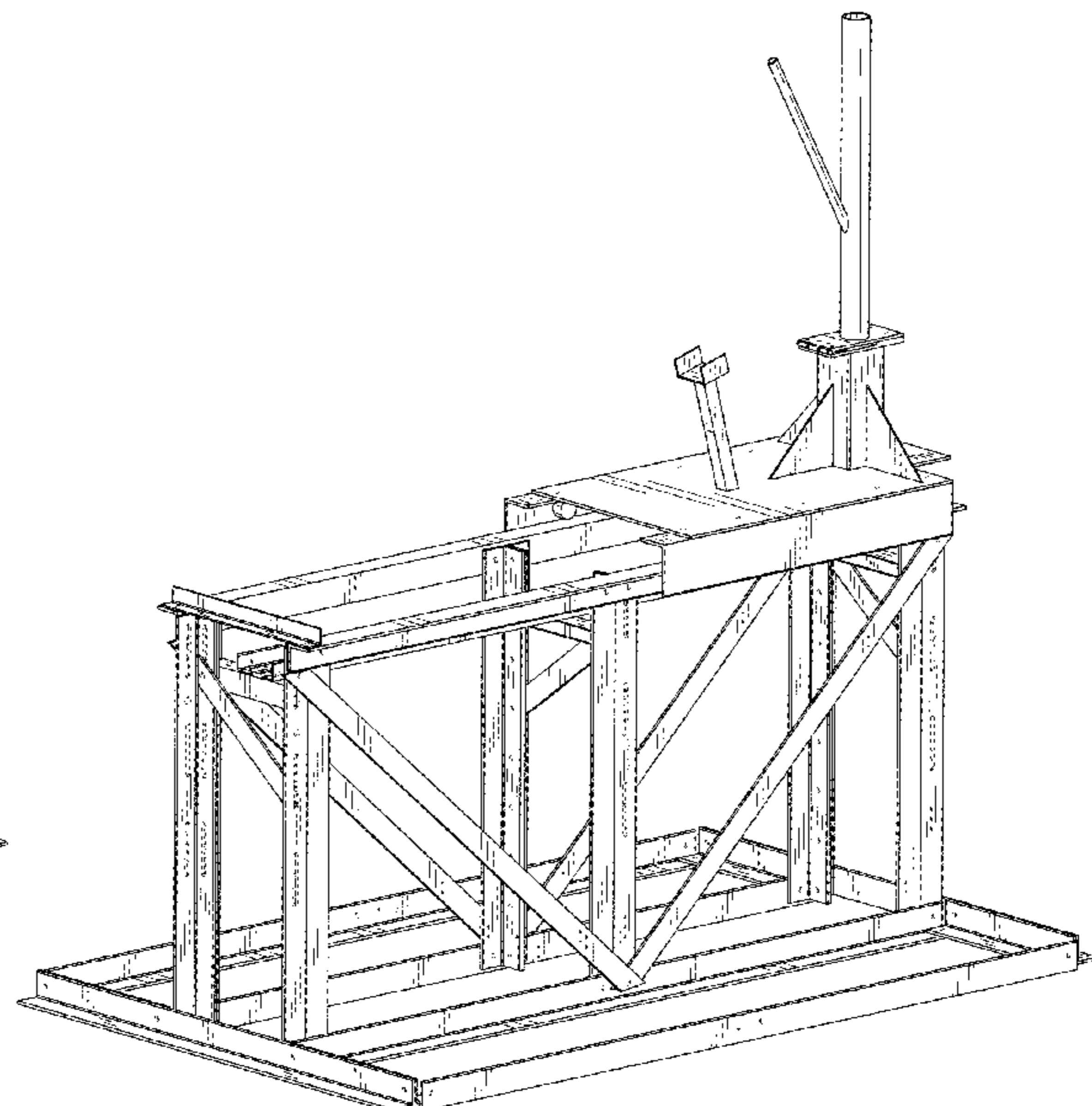
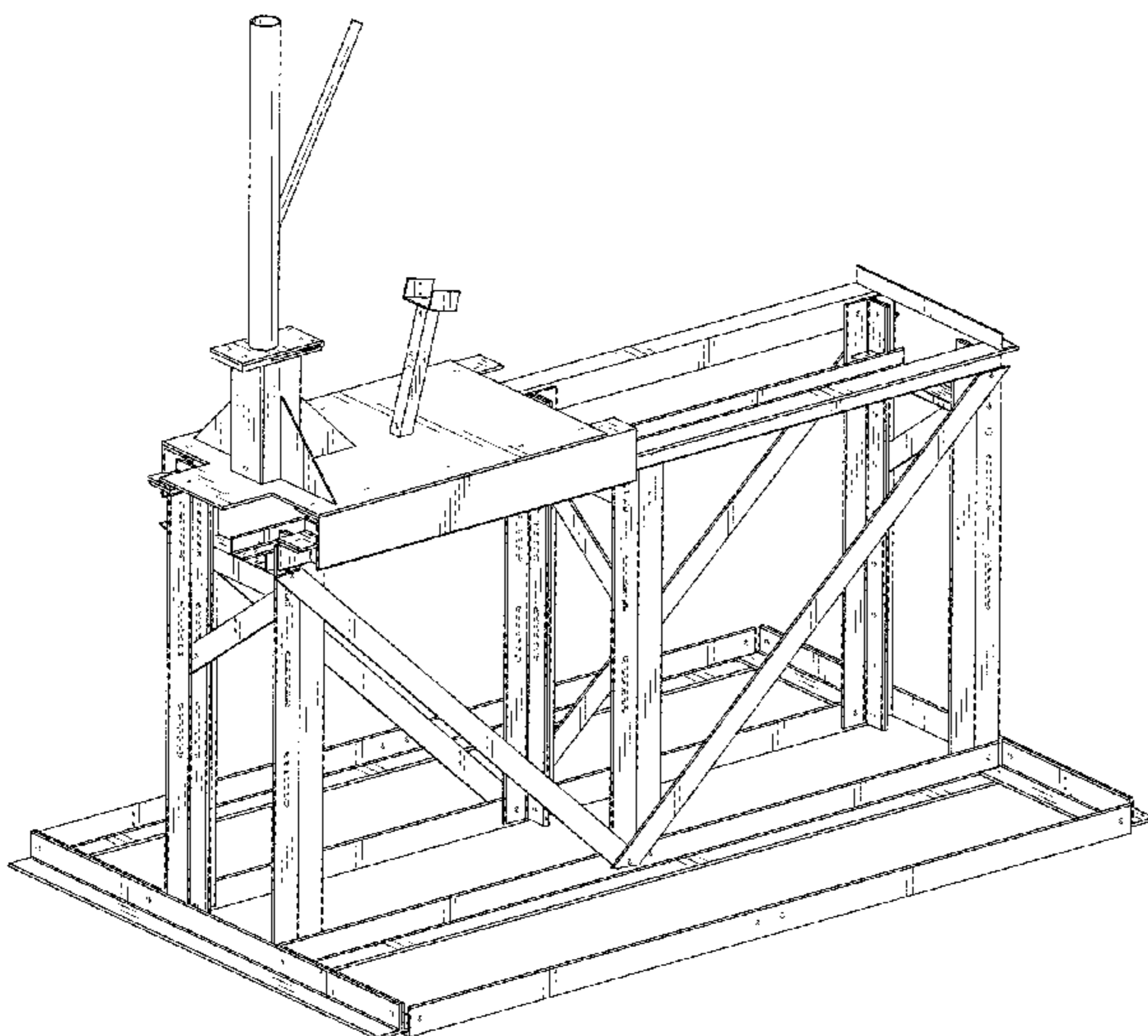
(57) **CLAIM**

The ornamental design for a sled for a wireless antenna, as  
shown and described.

**DESCRIPTION**

FIG. 1 is a right front, perspective view of a sled for a  
wireless antenna showing our new design;  
FIG. 2 is a left front, perspective view thereof;  
FIG. 3 is a right rear, perspective view thereof;  
FIG. 4 is a left rear, perspective view thereof;  
FIG. 5 is a front elevational view thereof;  
FIG. 6 is a right side elevational view thereof;  
FIG. 7 is a back elevational view thereof;  
FIG. 8 is a left side elevational view thereof; and,  
FIG. 9 is a top plan view thereof.  
The broken lines in the drawings illustrate environmental  
structures and form no part of the claimed design.

**1 Claim, 9 Drawing Sheets**



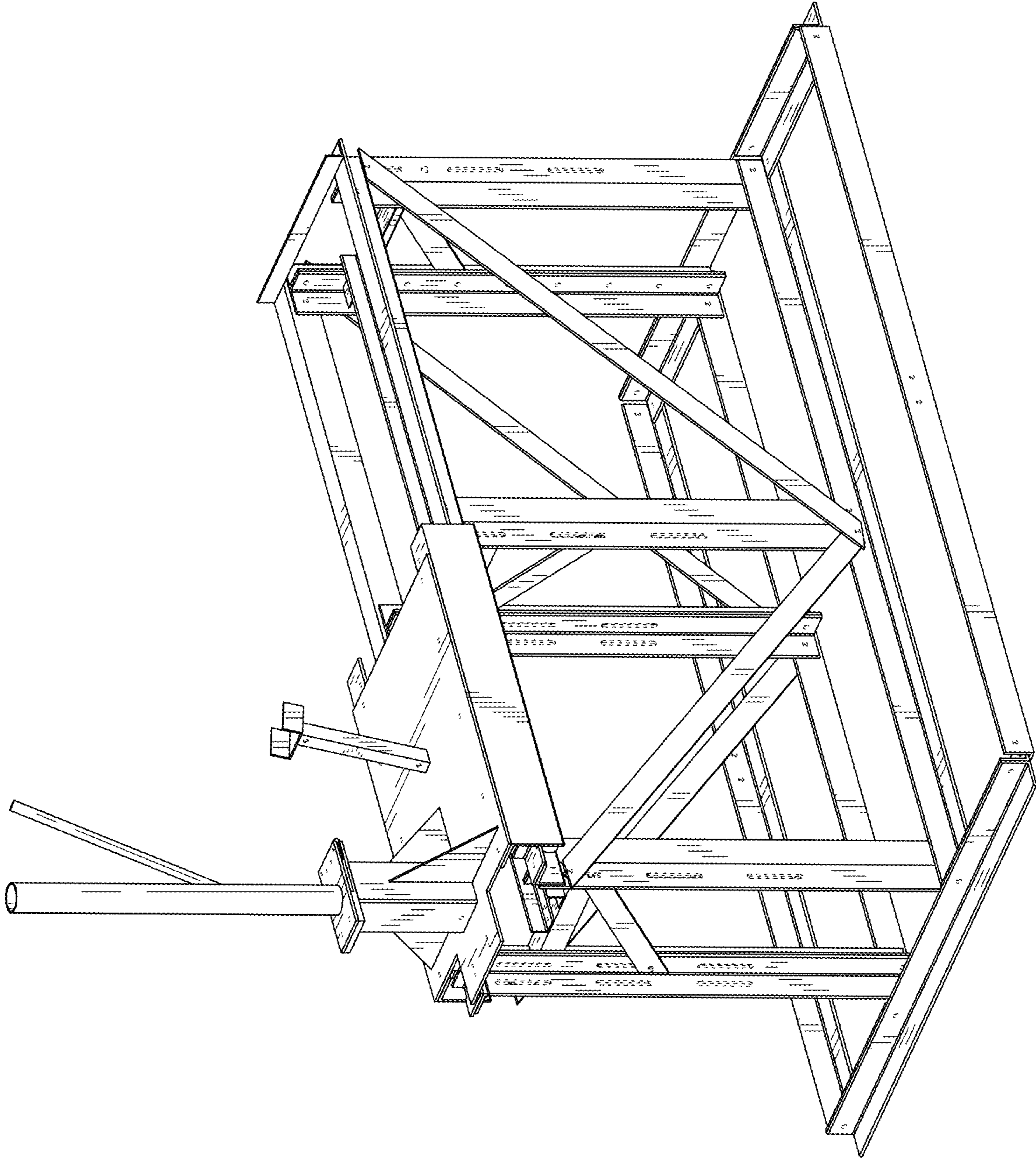


FIG. 1

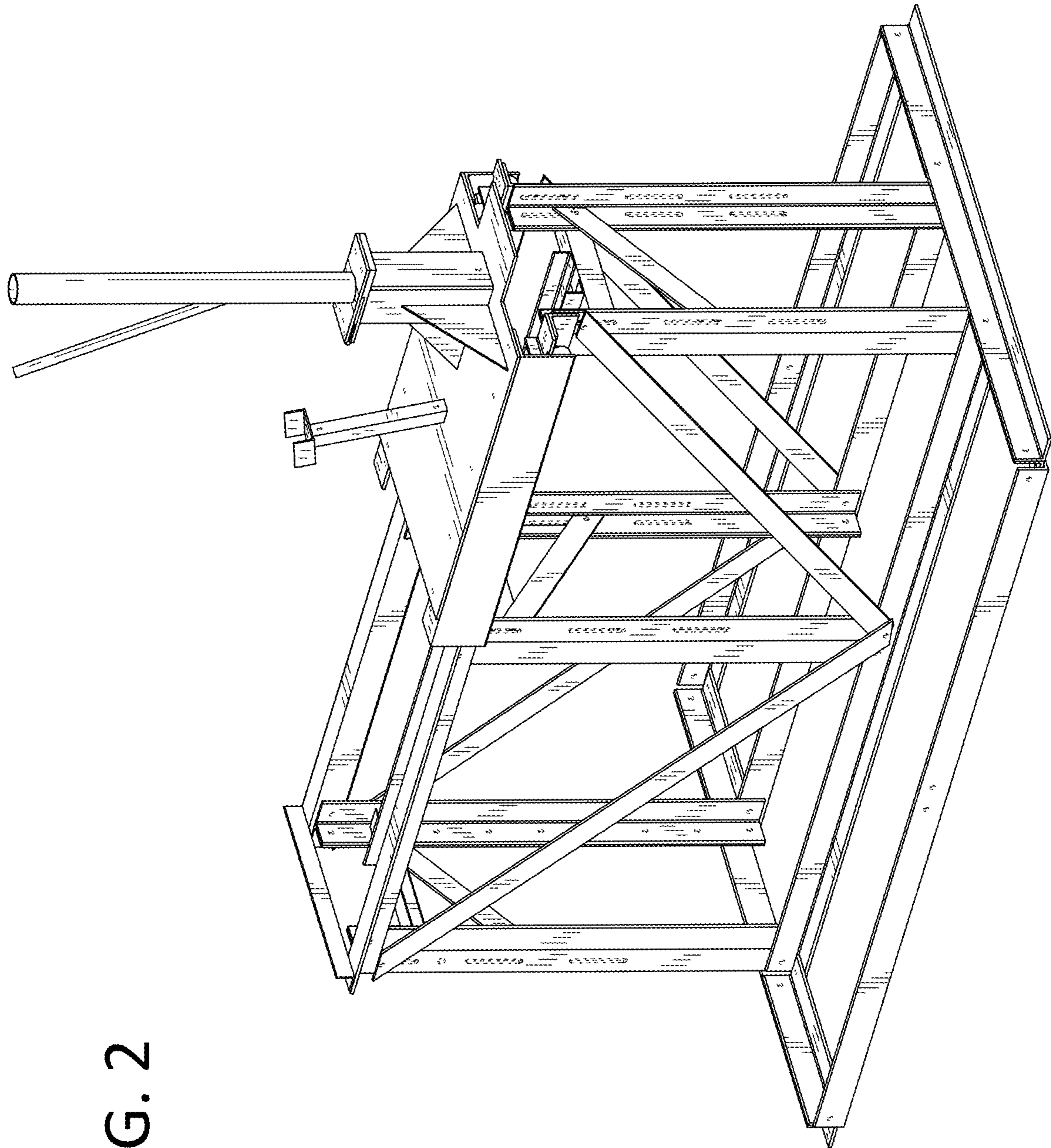
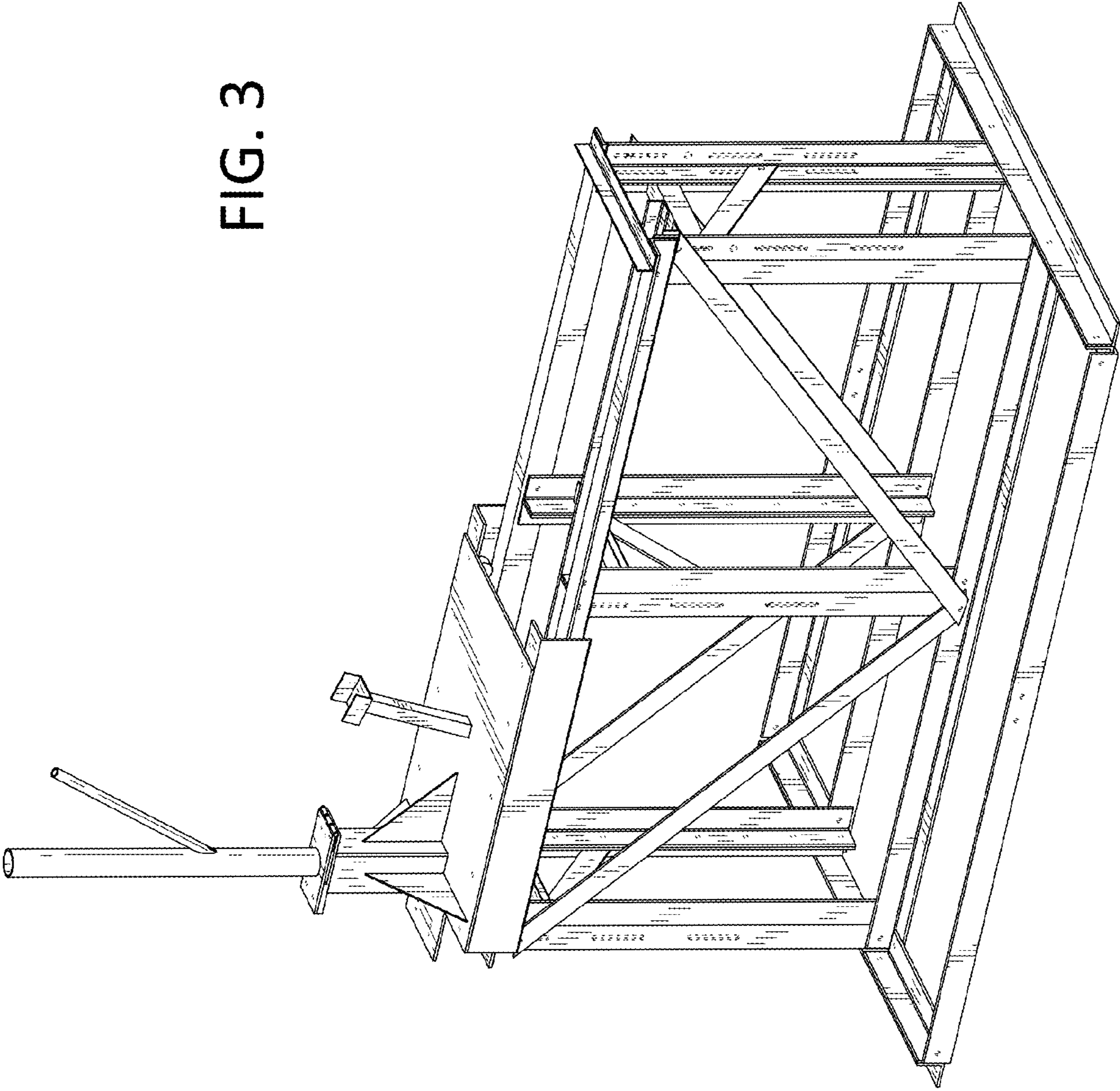


FIG. 2

FIG. 3



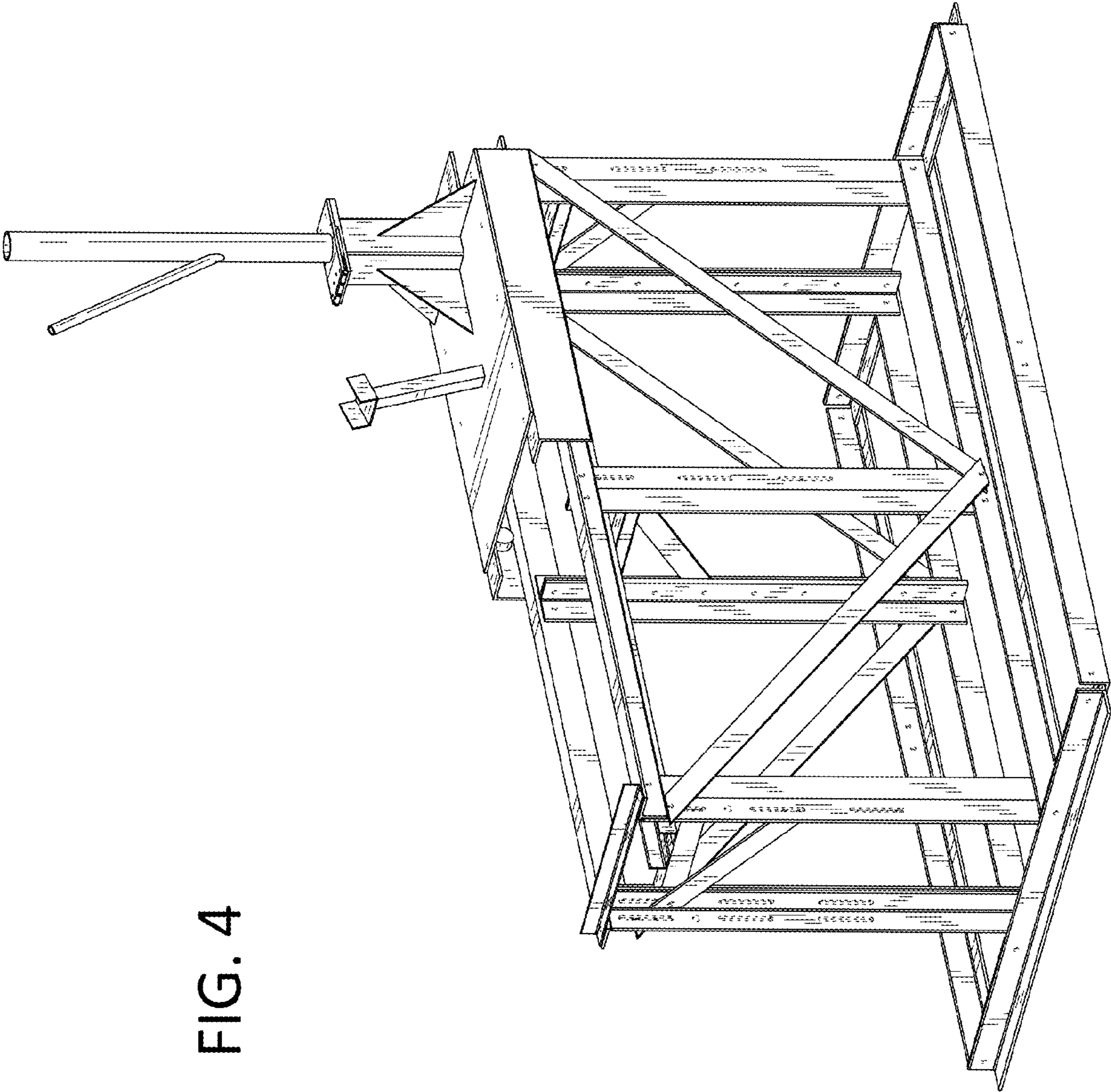


FIG. 4

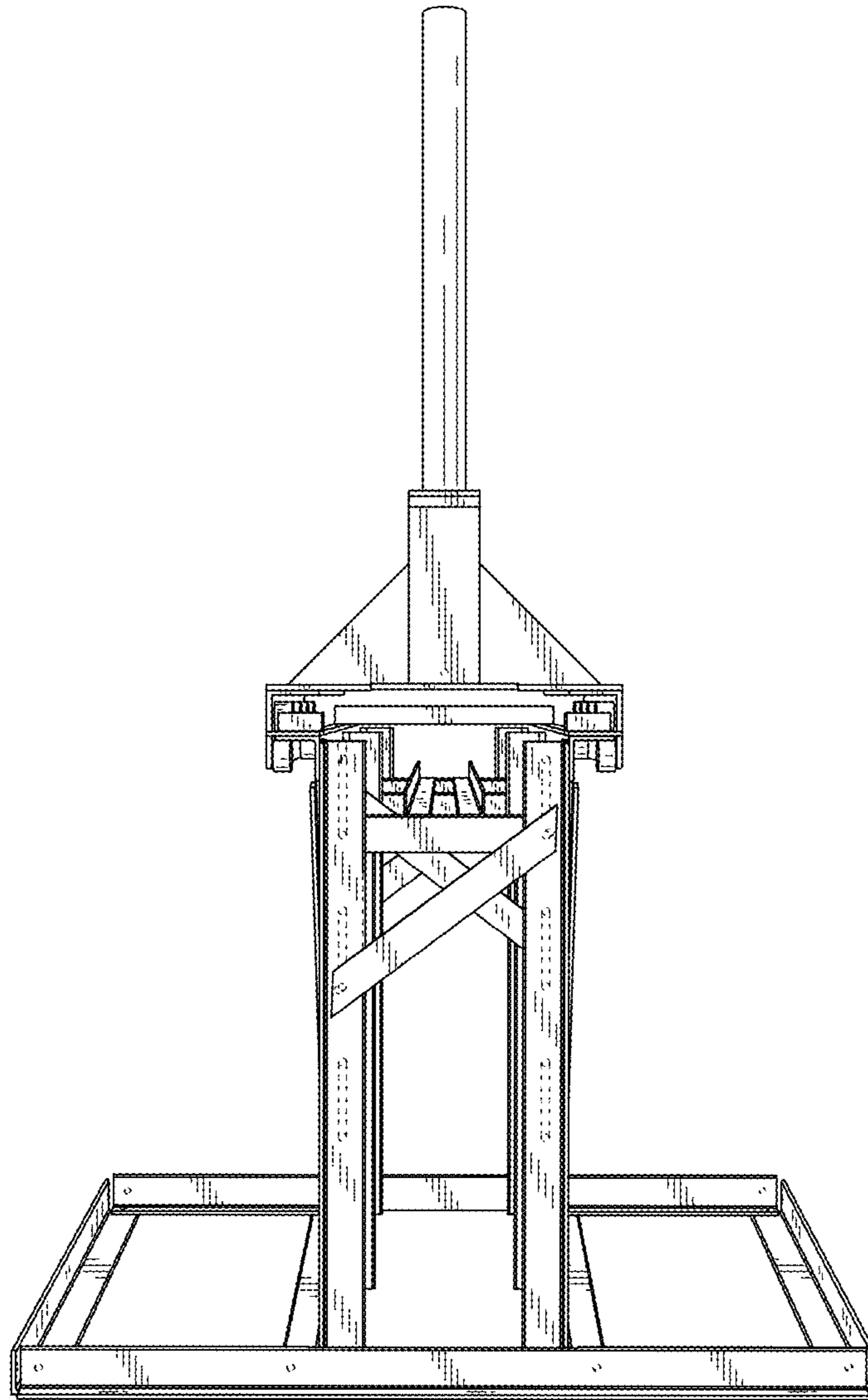
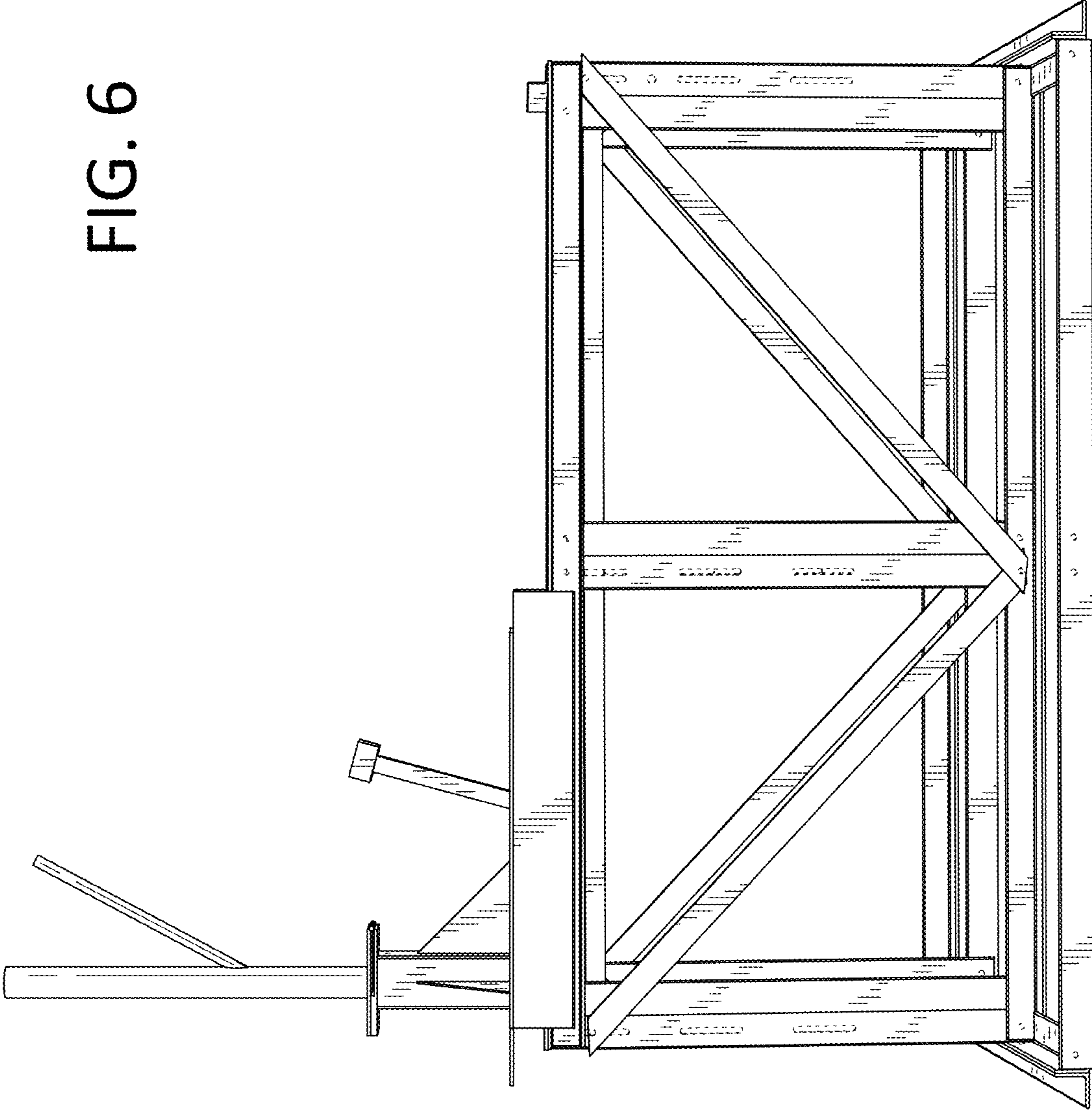


FIG. 5

FIG. 6



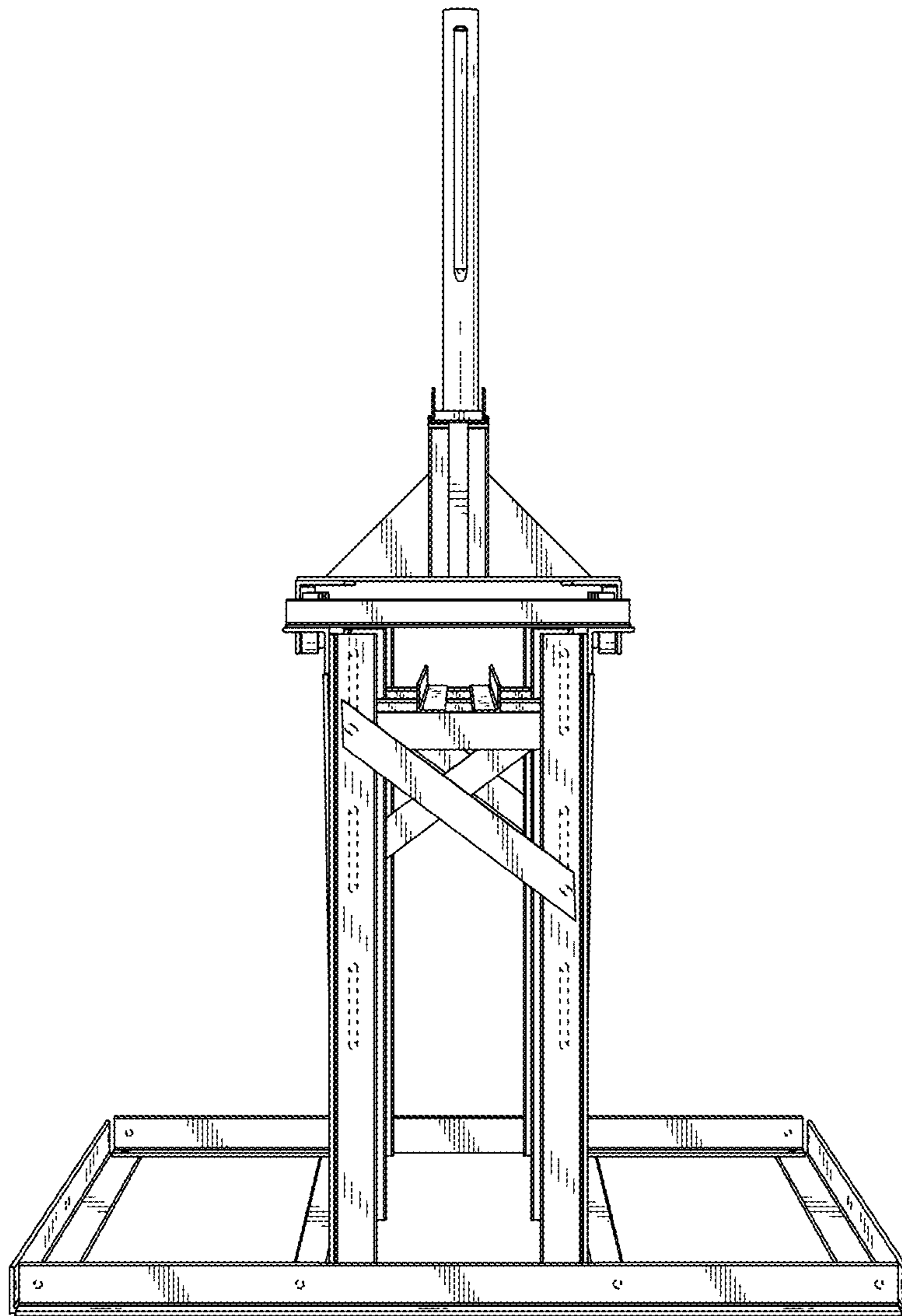


FIG. 7



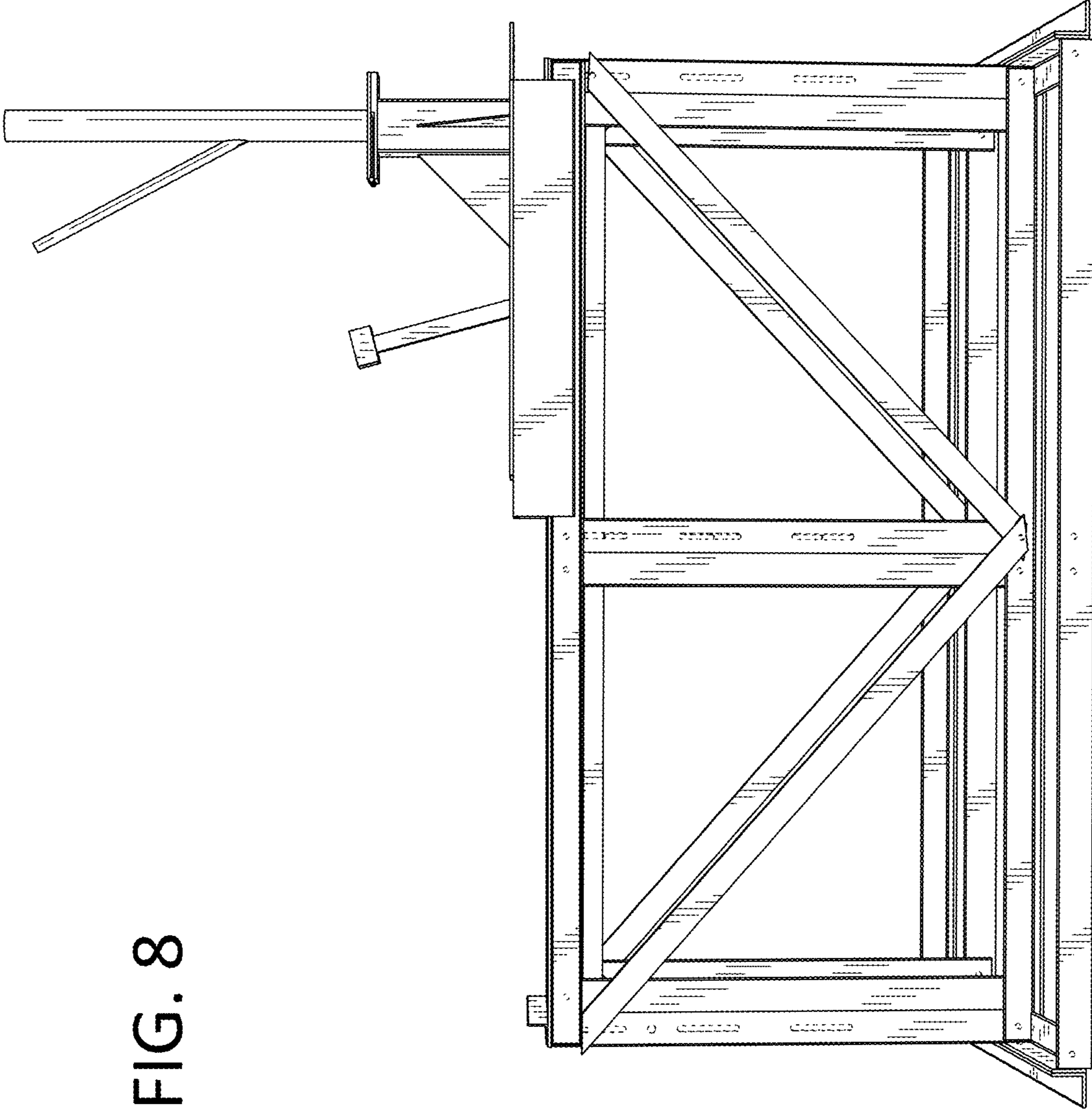


FIG. 8

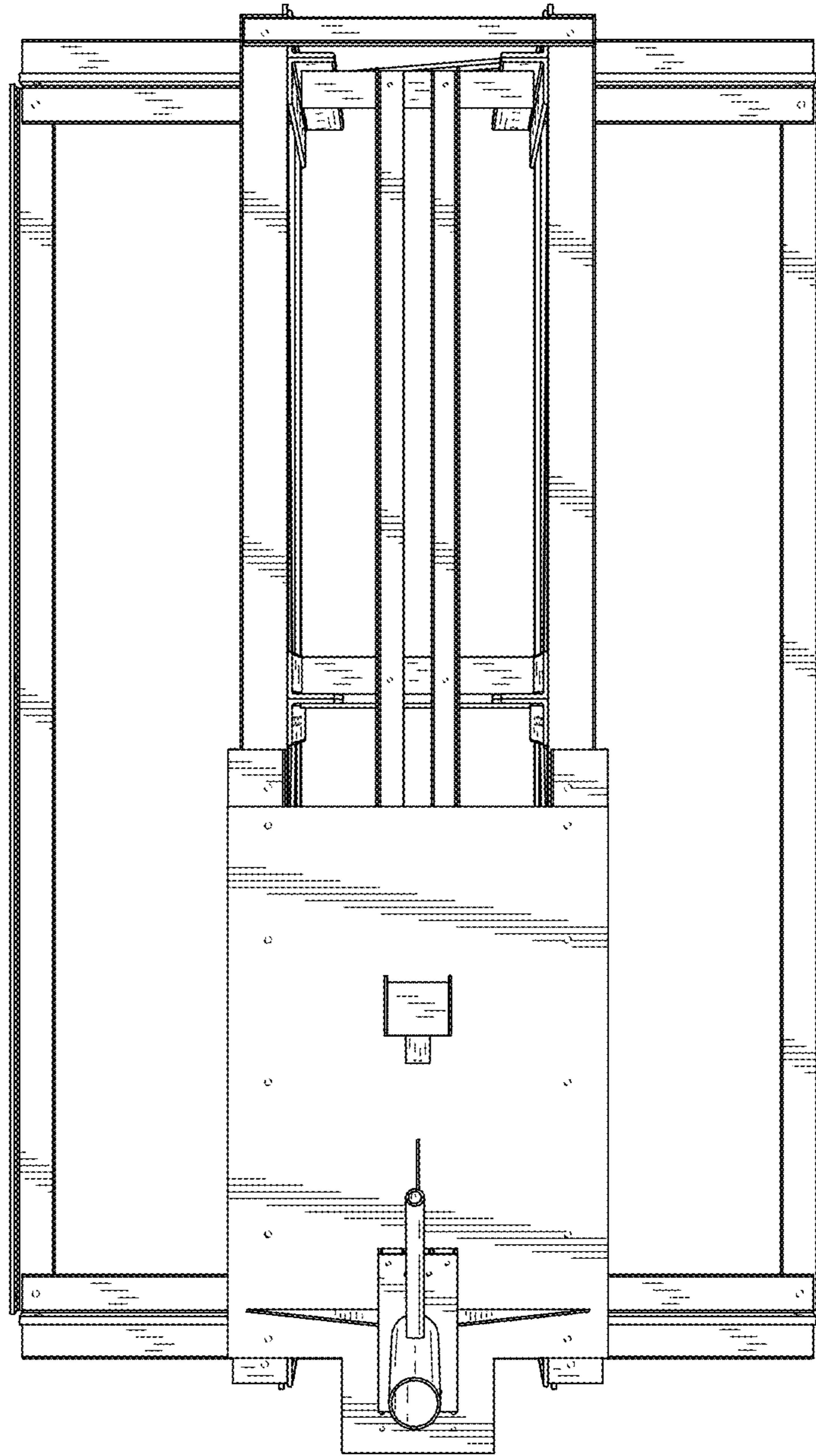


FIG. 9