



US00D958119S

(12) **United States Design Patent**
Mai

(10) **Patent No.:** **US D958,119 S**
(45) **Date of Patent:** **** Jul. 19, 2022**

(54) **MICROPHONE STAND**
(71) Applicant: **SHENZHEN XUNWEIJIA TECHNOLOGY DEVELOPMENT CO., LTD.**, Shenzhen (CN)
(72) Inventor: **Qibin Mai**, Shenzhen (CN)
(73) Assignee: **SHENZHEN XUNWEIJIA TECHNOLOGY DEVELOPMENT CO., LTD.**, Shenzhen (CN)

(**) Term: **15 Years**

(21) Appl. No.: **29/804,028**

(22) Filed: **Aug. 17, 2021**

(51) **LOC (13) Cl.** **14-01**

(52) **U.S. Cl.**
USPC **D14/229**

(58) **Field of Classification Search**
USPC D14/229, 225, 228, 432; D17/99; D8/354; D6/682; 381/361, 366, 368; 84/419, 421; 248/176.1, 614, 346.03
CPC H04R 25/00; H04R 9/08; H04R 11/04; H04R 19/04; H04R 1/02; H04R 9/04; H04R 1/08; H04R 1/083; F16M 11/32; F16M 13/02; G10G 5/00; G10D 13/02; H04M 1/04

See application file for complete search history.

(56) **References Cited**

U.S. PATENT DOCUMENTS

1,481,015 A * 1/1924 Klein A47G 33/1206
248/524
1,716,199 A * 6/1929 Von Hofe H04R 1/345
181/175
1,805,362 A * 5/1931 Ellis H04R 1/08
381/368
D100,928 S * 8/1936 Shure D14/229

2,366,337 A * 1/1945 Kreuter B25H 1/00
269/95
2,417,053 A * 3/1947 Boardman B65D 90/12
248/901
2,484,027 A * 10/1949 Haffey B23B 31/08
279/46.2
2,732,907 A * 1/1956 Leon H04R 1/345
181/175
3,155,780 A * 11/1964 Burroughs H04R 1/08
381/357

(Continued)

FOREIGN PATENT DOCUMENTS

CN 304583775 * 4/2018
CN 305260458 * 7/2019

(Continued)

Primary Examiner — Paula Allen Greene

(74) *Attorney, Agent, or Firm* — ScienBiziP, P.C.

(57) **CLAIM**

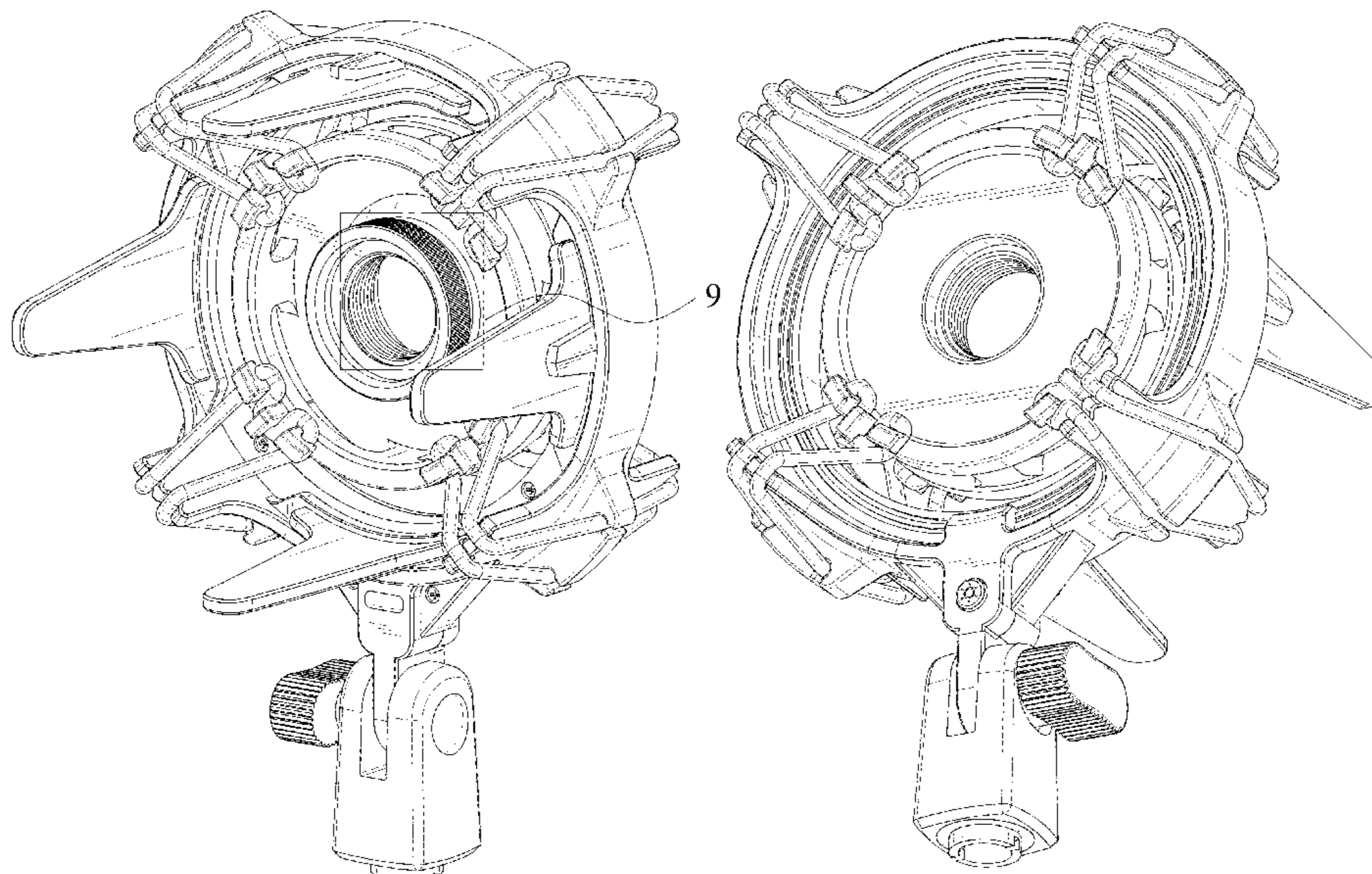
The ornamental design for a microphone stand, as shown and described.

DESCRIPTION

FIG. 1 is a front, right, and top perspective view of a microphone stand, showing my design.
FIG. 2 is a rear, left, and bottom perspective view thereof.
FIG. 3 is a front elevation view thereof.
FIG. 4 is a rear elevation view thereof.
FIG. 5 is a left side elevation view thereof.
FIG. 6 is a right side elevation view thereof.
FIG. 7 is a top plan view thereof.
FIG. 8 is a bottom plan view thereof; and,
FIG. 9 is a partial enlarged view of an area labeled 9 in FIG. 1 comprising a hole.

The dot dash dot broken lines encircling portions of the microphone stand in FIG. 1 and illustrated in the enlarged view of FIG. 9, form no part of the claimed design.

1 Claim, 9 Drawing Sheets



(56)

References Cited

U.S. PATENT DOCUMENTS

3,215,815 A * 11/1965 Lerner B23K 3/027
248/176.1
3,592,422 A * 7/1971 Paine F16F 15/067
248/589
3,608,418 A * 9/1971 Chaffee et al. G10D 13/04
84/419
3,653,625 A * 4/1972 Plice H04R 1/08
267/113
4,194,096 A * 3/1980 Ramsey H04R 1/08
381/366
4,396,807 A * 8/1983 Brewer H04R 1/08
381/361
4,421,200 A * 12/1983 Ferralli H04R 1/34
181/175
4,596,176 A * 6/1986 Gauger G10D 13/02
984/150
D296,099 S * 6/1988 Kubota D14/227
D302,158 S * 7/1989 Kubota D14/228
D305,026 S * 12/1989 Wolf D14/229
5,487,320 A * 1/1996 De Mowbray G10D 13/04
84/413
5,574,236 A * 11/1996 Webber G10D 13/02
84/411 M
D399,166 S * 10/1998 Wright D11/130.1
D412,708 S * 8/1999 Okon D14/228
6,102,358 A * 8/2000 McLeary G10D 13/02
84/411 R
D430,864 S * 9/2000 Chung D14/228
D431,554 S * 10/2000 Chung D14/228
6,219,429 B1 * 4/2001 Chung H04R 1/08
381/361
D441,354 S * 5/2001 Jing D14/228
D448,364 S * 9/2001 Chung D14/228
6,459,802 B1 * 10/2002 Young H04R 1/083
381/361
D475,038 S * 5/2003 Jarodsky D14/228
D475,039 S * 5/2003 Thornton D14/228
D475,876 S * 6/2003 Chen D6/545
D483,028 S * 12/2003 Morrow, Jr. D14/225
6,671,382 B2 * 12/2003 Chen H04R 1/08
381/189
7,040,831 B2 * 5/2006 Rapaport F16C 11/12
84/421
D540,786 S * 4/2007 Hensen D14/228
D549,209 S * 8/2007 Bauman D14/155

D579,928 S * 11/2008 Murata D14/229
D618,222 S * 6/2010 Kallas D14/229
8,191,678 B2 * 6/2012 Zou G10K 11/168
381/189
8,571,250 B2 * 10/2013 Royer H04R 1/08
381/361
D705,761 S * 5/2014 McGovern, Jr. D14/229
D706,245 S * 6/2014 McGovern, Jr. D14/229
D707,662 S * 6/2014 Okita D14/229
8,766,074 B1 * 7/2014 Flores G10D 13/02
84/421
8,783,636 B2 * 7/2014 Okita F16M 11/041
248/231.51
D736,189 S * 8/2015 Cooper D14/229
D772,205 S * 11/2016 Sunwoo D14/229
D791,742 S * 7/2017 Lai D14/225
D823,283 S * 7/2018 Sunwoo D14/229
D834,568 S * 11/2018 Pooley D14/229
10,306,984 B2 * 6/2019 Jones B64G 1/64
D889,443 S * 7/2020 Renwick D14/229
D895,584 S * 9/2020 Sano
D948,485 S * 4/2022 Mai D14/206
2003/0035561 A1 * 2/2003 Hsieh H04R 1/08
381/189
2007/0045501 A1 * 3/2007 Chen G02B 23/16
248/176.1
2007/0195983 A1 * 8/2007 Klemme H04R 21/02
381/361
2010/0239113 A1 * 9/2010 Browne H04R 1/08
381/361
2013/0062479 A1 * 3/2013 Okita F16M 11/041
248/176.1
2014/0270311 A1 * 9/2014 Parker H04R 1/08
381/361
2016/0037244 A1 * 2/2016 Yamanaka H04R 1/08
381/362

FOREIGN PATENT DOCUMENTS

CN 306336619 * 2/2021
CN 306671180 * 7/2021
CN 306769255 * 8/2021
CN 307077180 * 1/2022
CN 307113128 * 2/2022
EM 008657795-0004 * 8/2021
GB 6155639 * 8/2021
JP D1704347 * 12/2021

* cited by examiner

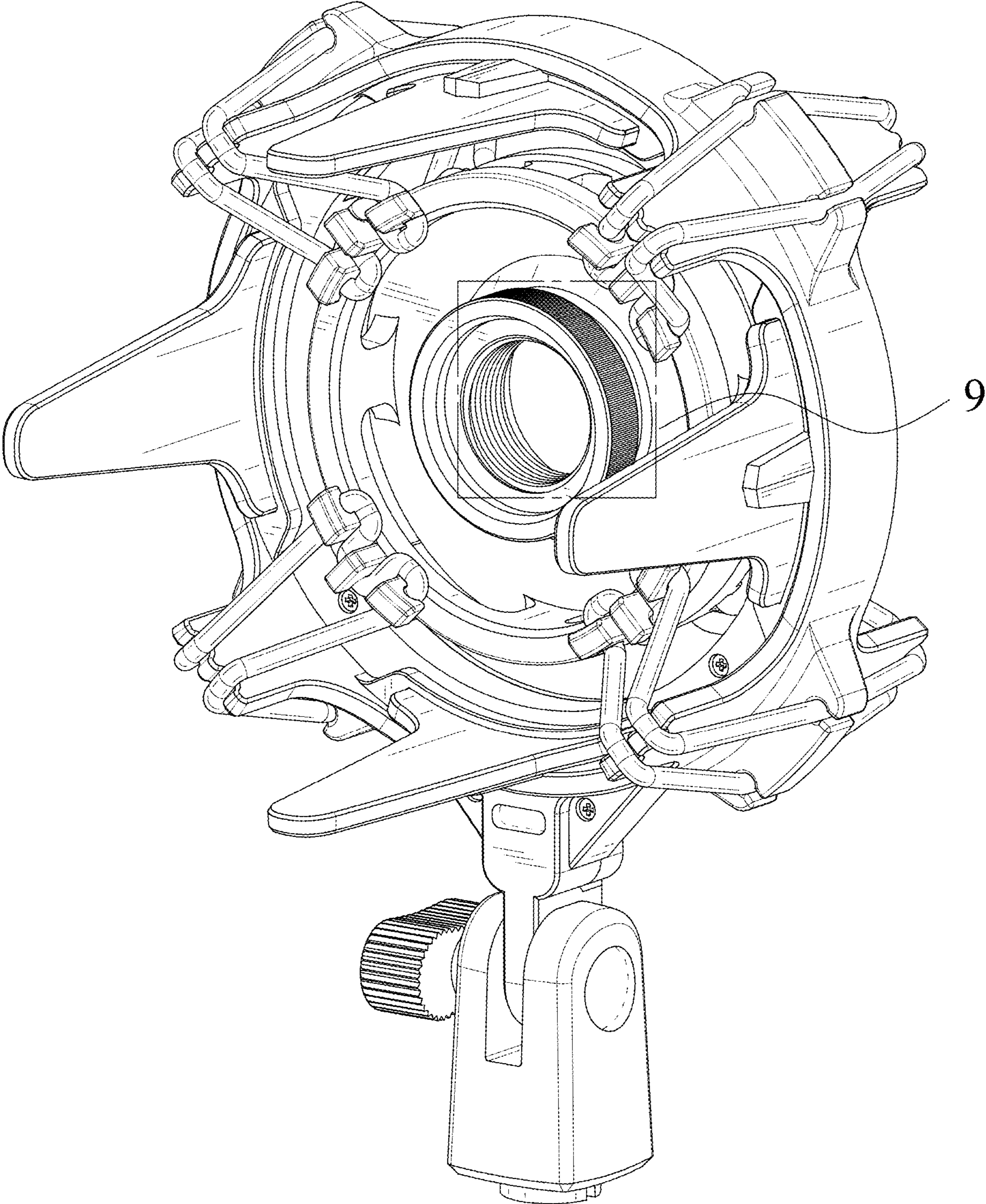


FIG. 1

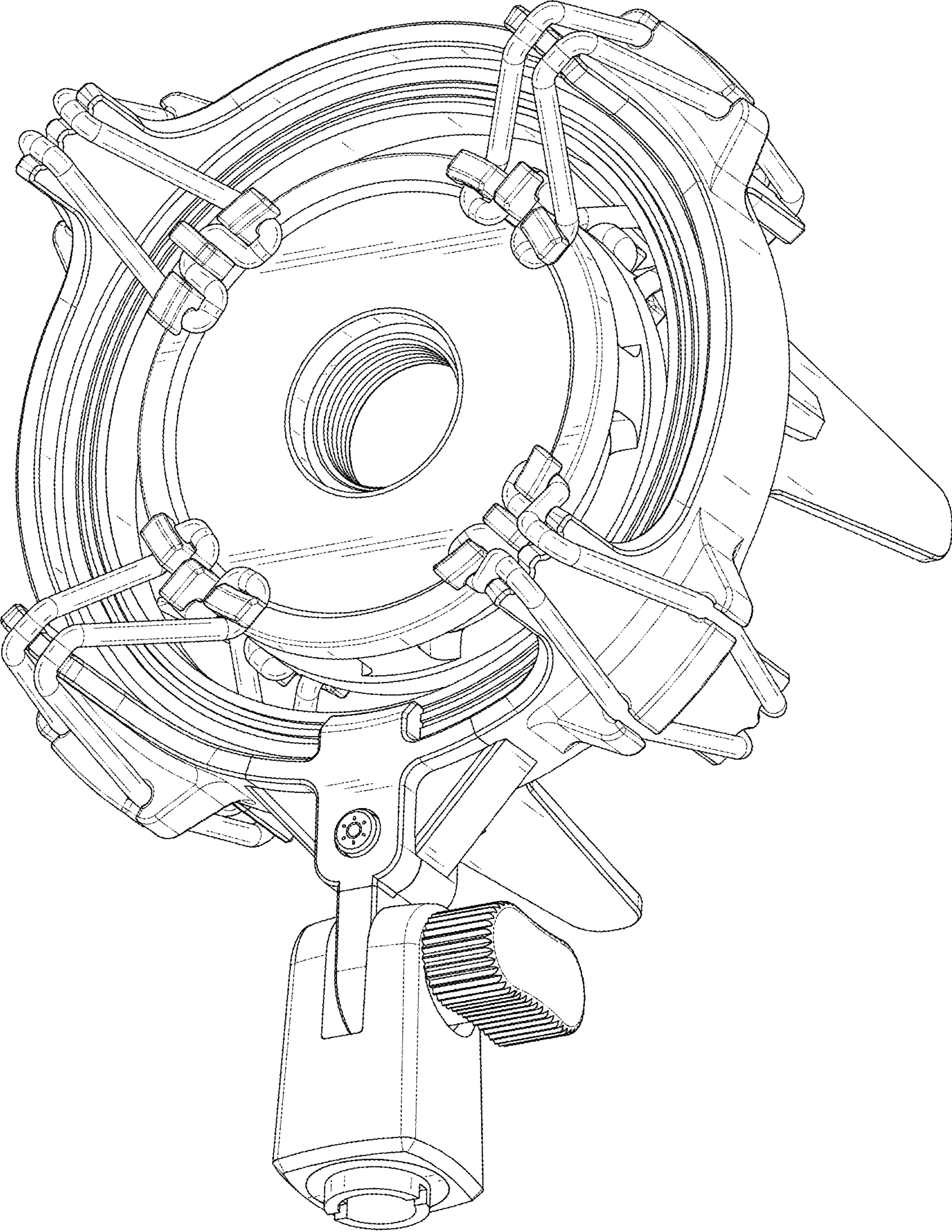


FIG. 2

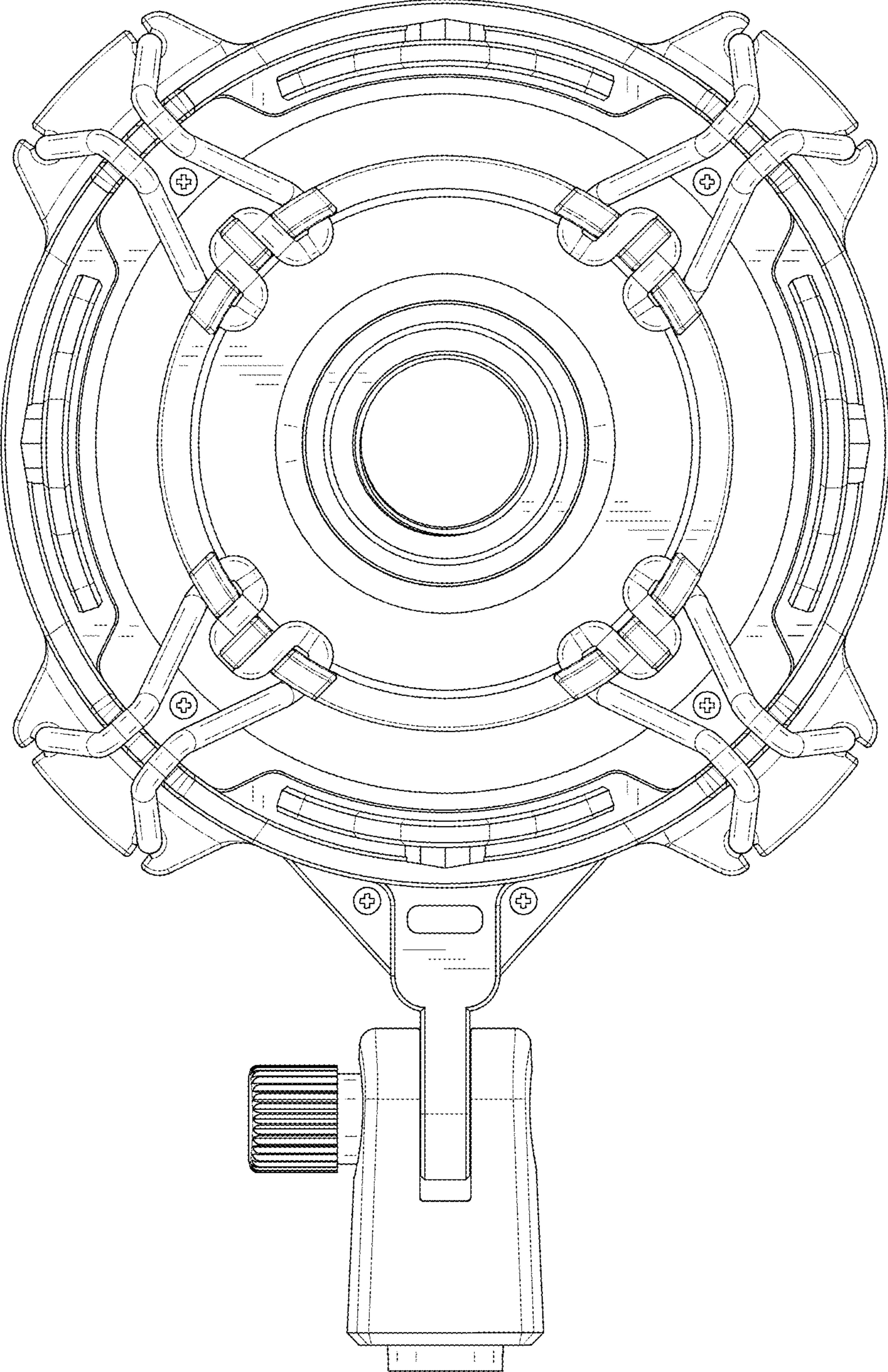


FIG. 3

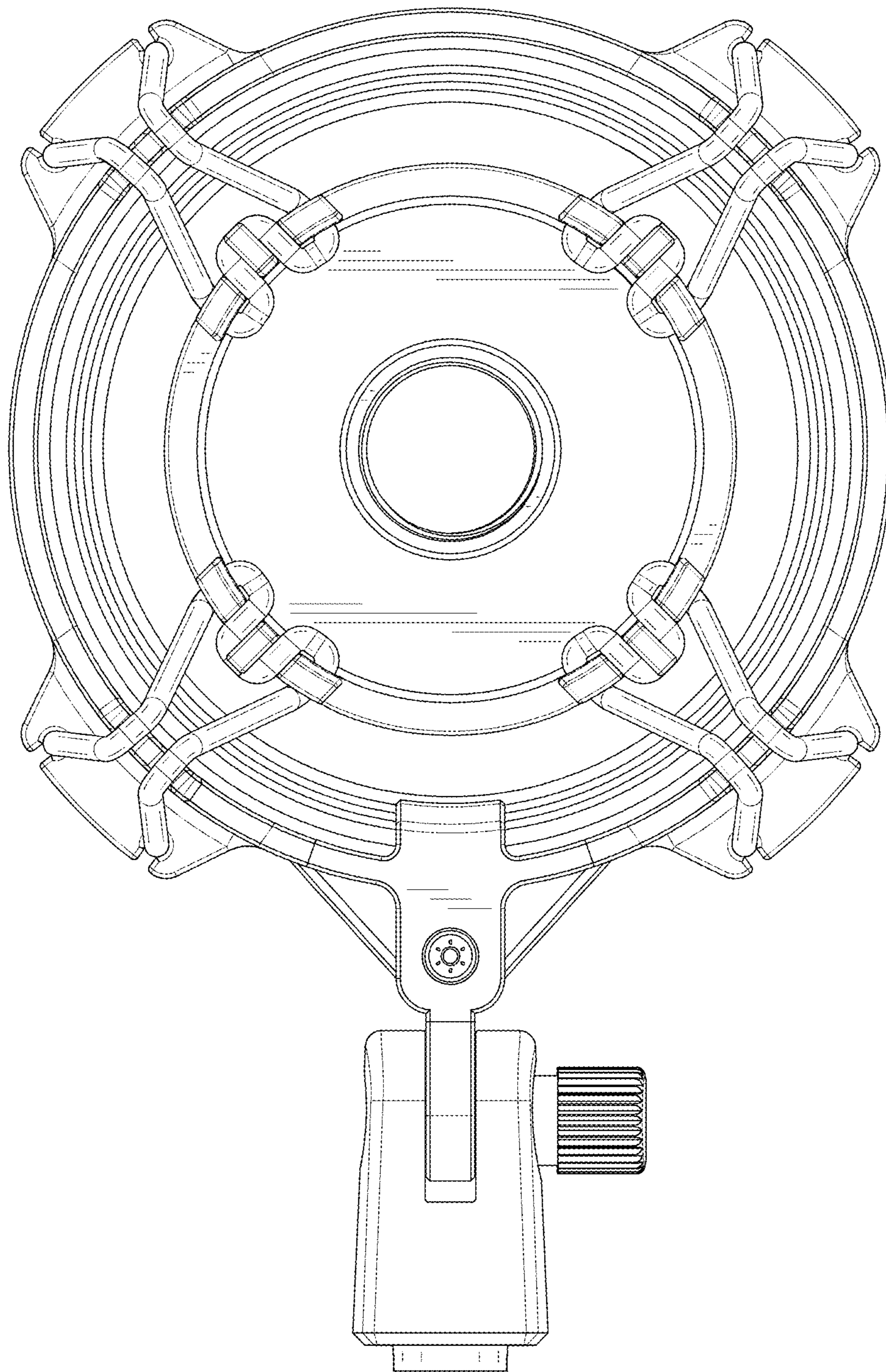


FIG. 4

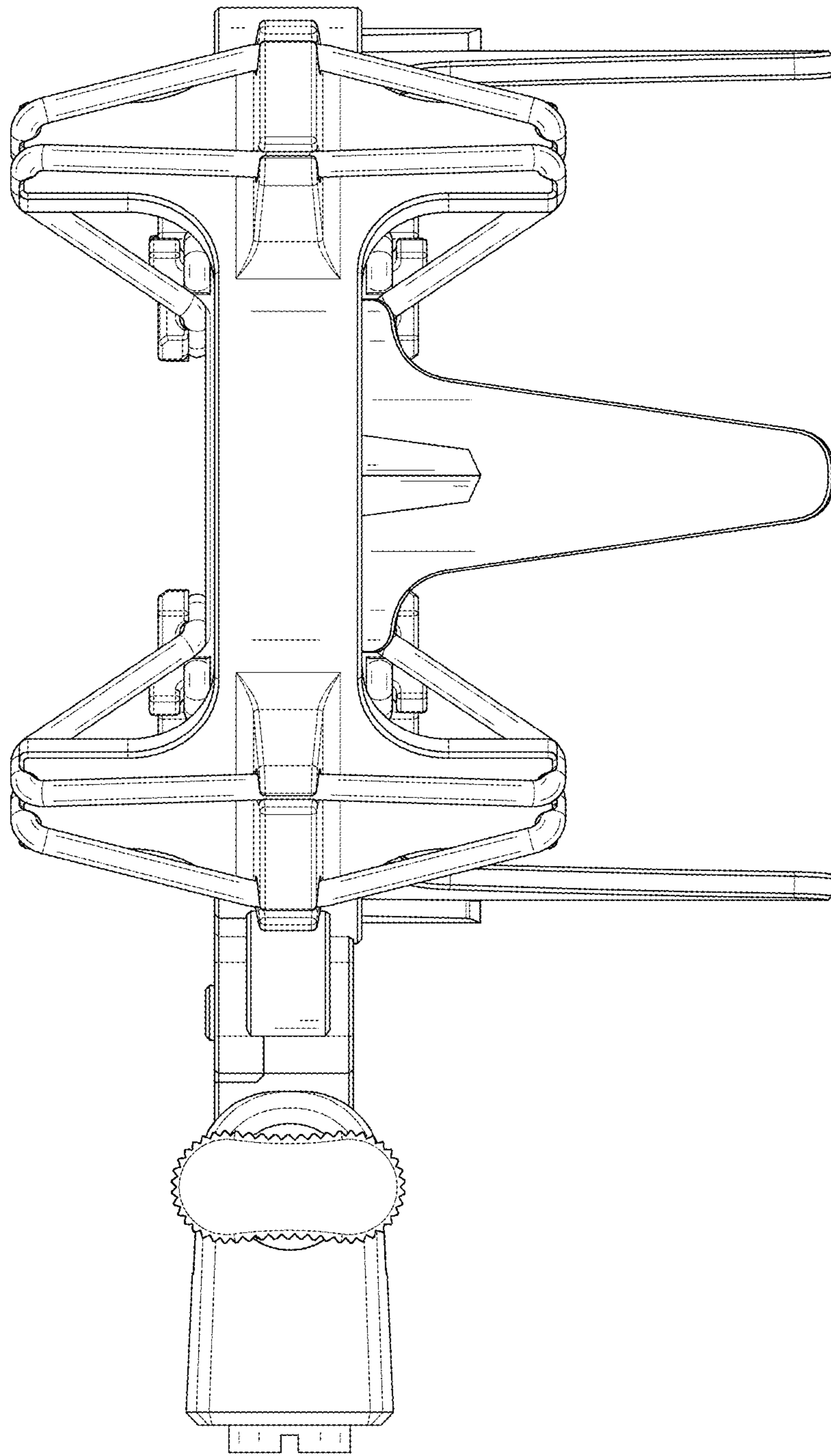


FIG. 5

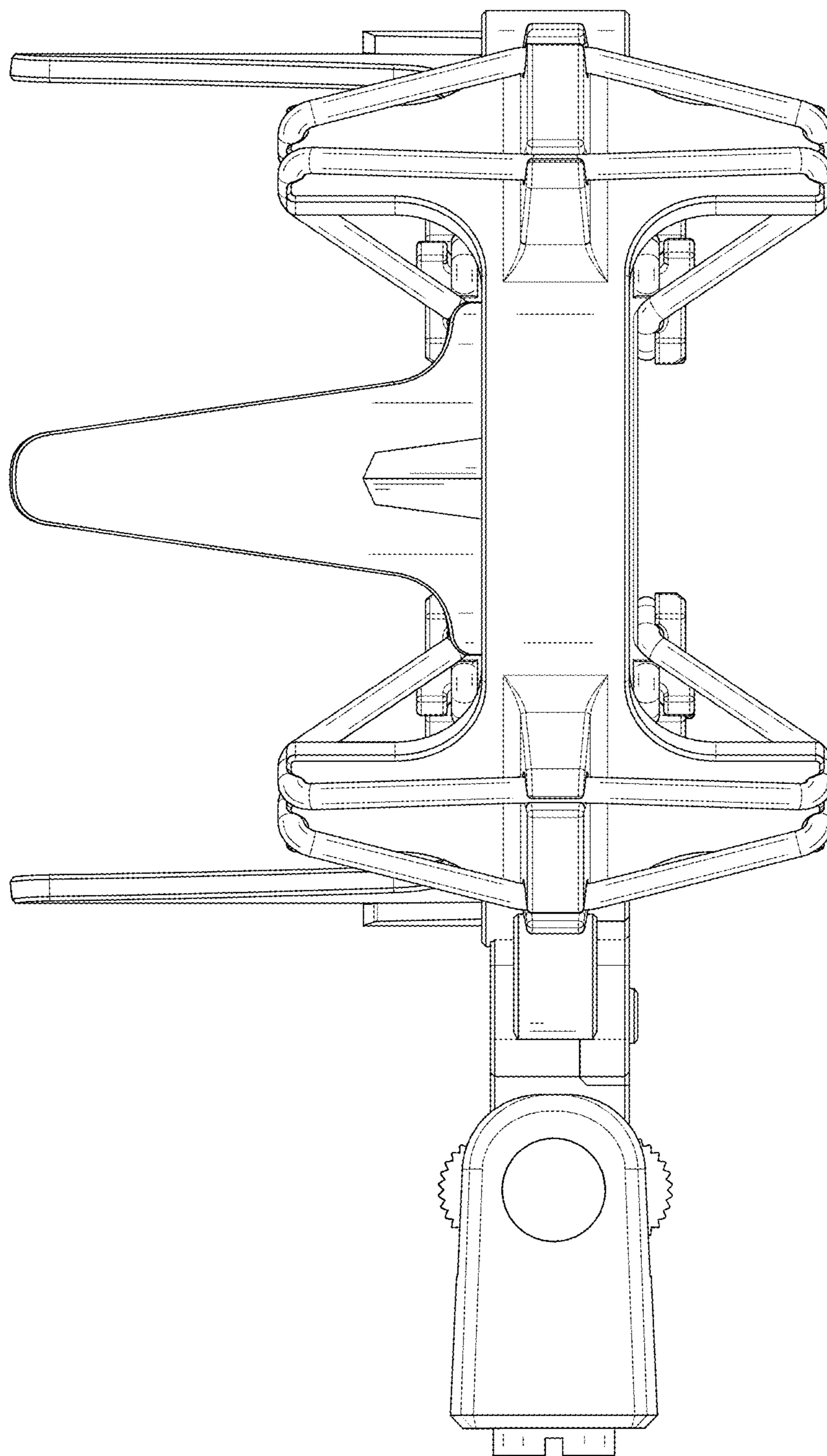


FIG. 6

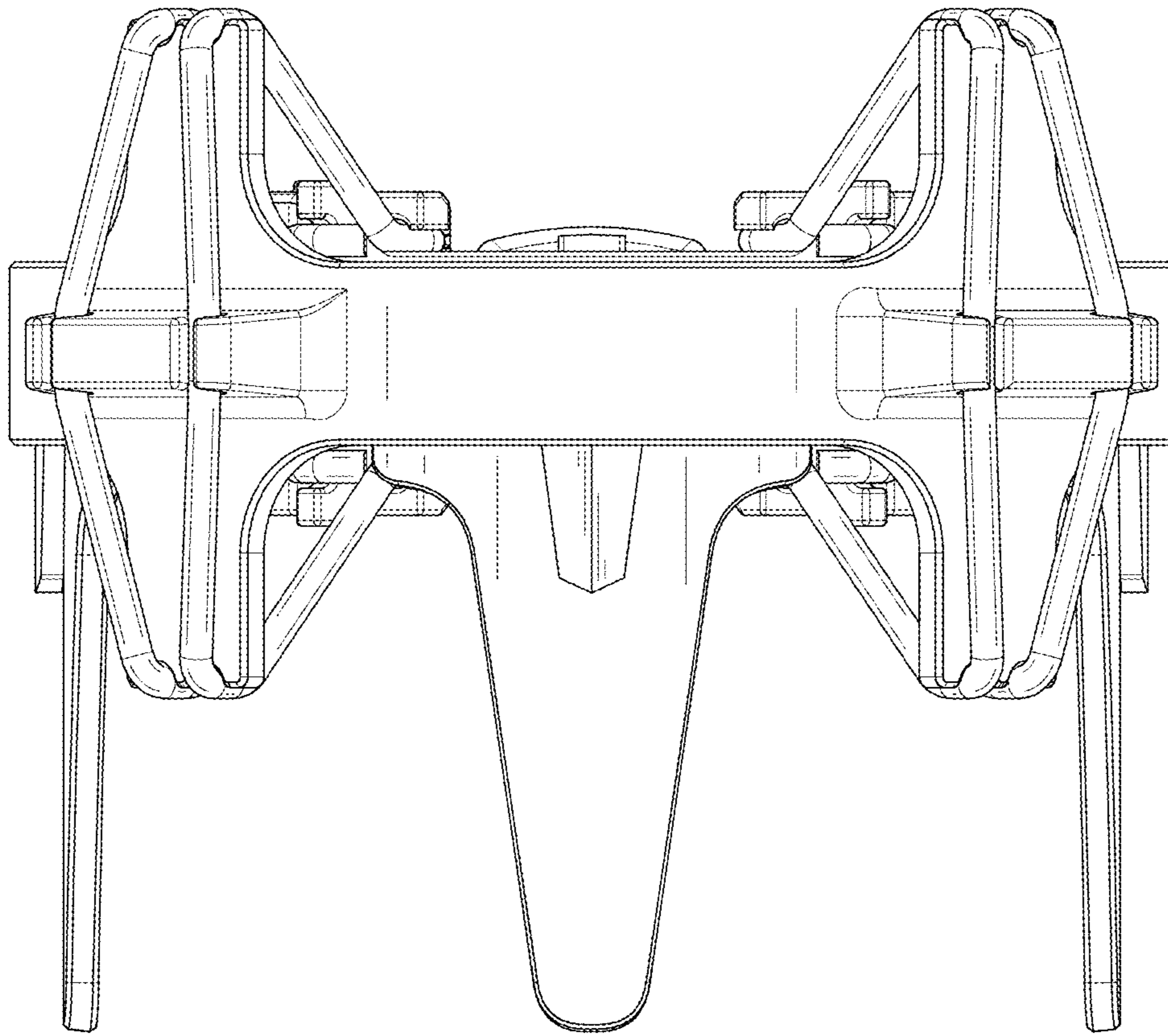


FIG. 7

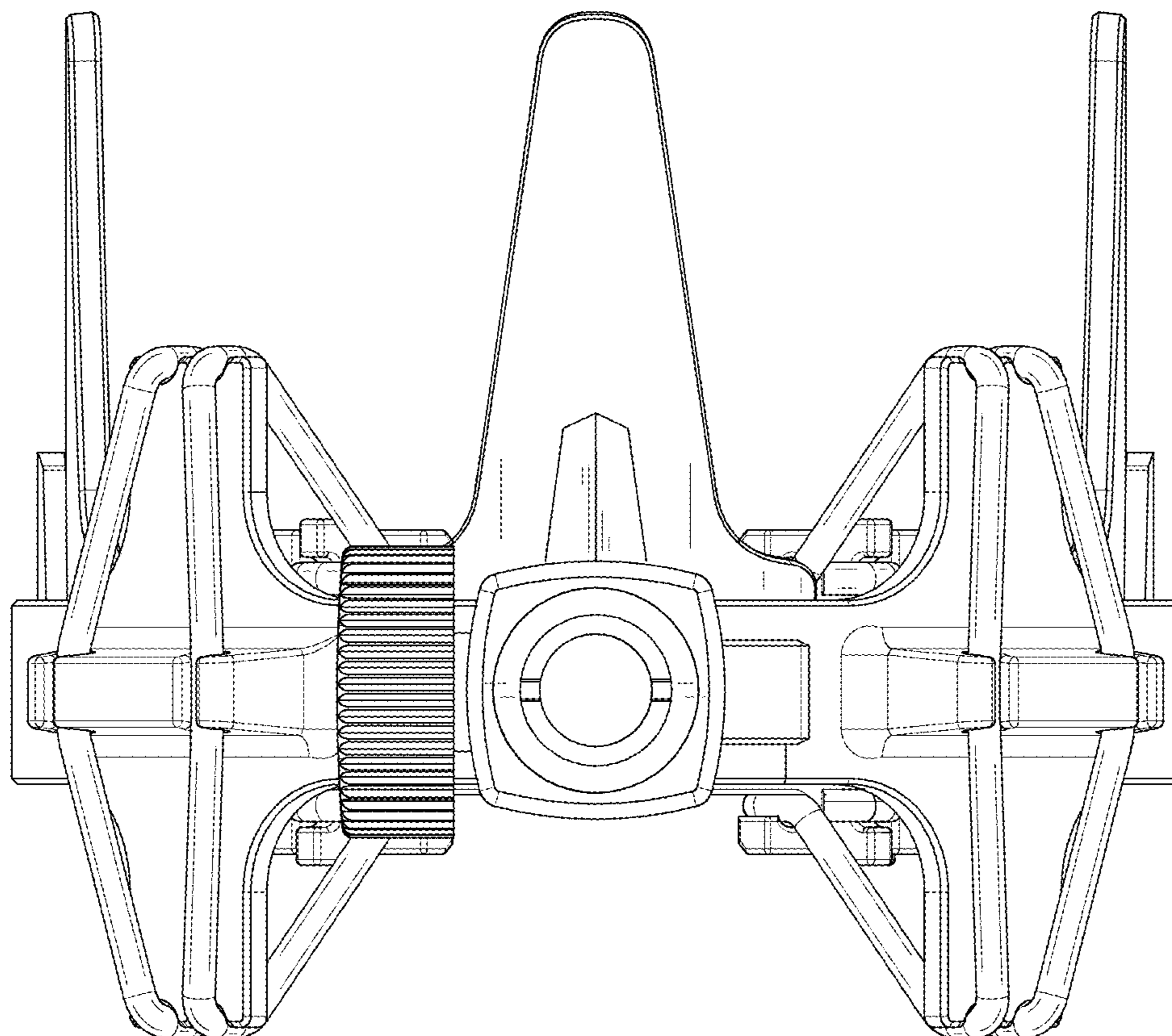


FIG. 8

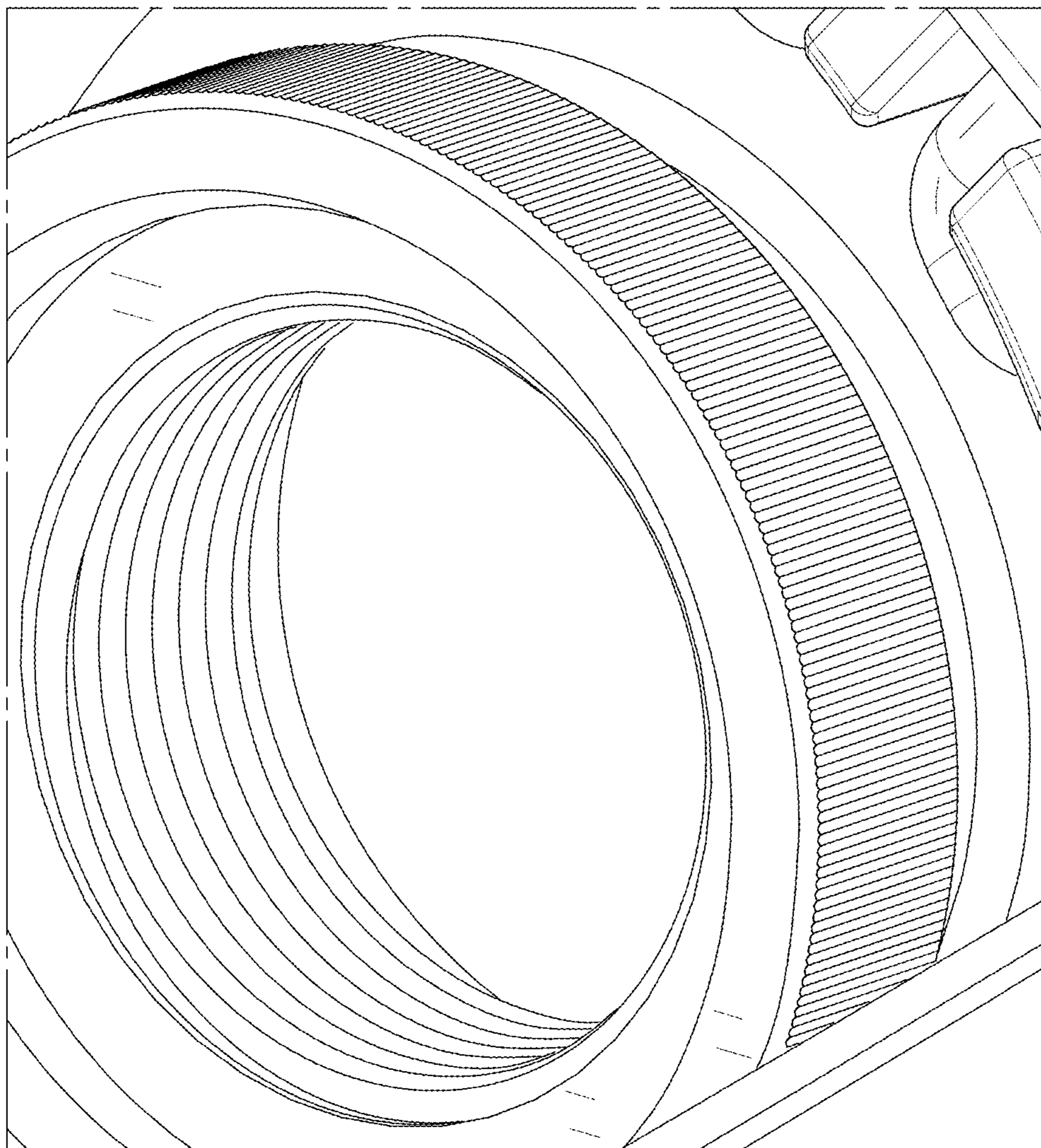


FIG. 9