



US00D958117S

(12) **United States Design Patent**
Zhang

(10) **Patent No.:** **US D958,117 S**
(45) **Date of Patent:** **** Jul. 19, 2022**

(54) **CASE WITH EARPHONES**

(71) Applicant: **Realme Mobile Telecommunications (Shenzhen) Co., Ltd**, Shenzhen (CN)

(72) Inventor: **Facui Zhang**, Shenzhen (CN)

(73) Assignee: **Realme Mobile Telecommunications (Shenzhen) Co., Ltd.**, Shenzhen (CN)

(**) Term: **15 Years**

(21) Appl. No.: **29/774,945**

(22) Filed: **Mar. 19, 2021**

(30) **Foreign Application Priority Data**

Sep. 21, 2020 (CN) 202030563147.8

(51) **LOC (13) Cl.** **14-01**

(52) **U.S. Cl.**
USPC **D14/223; D3/274**

(58) **Field of Classification Search**
USPC D14/223, 205, 224; D13/108; D3/201, D3/274, 394; D9/420, 424, 529, 521;
(Continued)

(56) **References Cited**

U.S. PATENT DOCUMENTS

D355,727 S * 2/1995 Bertolini D28/76
D467,799 S * 12/2002 Persson D9/423
(Continued)

FOREIGN PATENT DOCUMENTS

CA 193607 * 2/2022
EM 008449664-0001 * 3/2021
(Continued)

Primary Examiner — Paula Allen Greene

(74) *Attorney, Agent, or Firm* — Young Basile Hanlon & MacFarlane, P.C.

(57) **CLAIM**

The ornamental design for a case with earphones, as shown and described.

DESCRIPTION

FIG. 1 is a perspective view of a case with earphones showing my new design.

FIG. 2 is a front view of the case with earphones of FIG. 1.

FIG. 3 is a rear view of the case with earphones of FIG. 1.

FIG. 4 is a left side view of the case with earphones of FIG. 1.

FIG. 5 is a right side view of the case with earphones of FIG. 1.

FIG. 6 is a top view of the case with earphones of FIG. 1.

FIG. 7 is a bottom view of the case with earphones of FIG. 1.

FIG. 8 is an exploded front view of the case with earphones of FIG. 1.

FIG. 9 is a front perspective view of the case in a closed position of FIG. 1.

FIG. 10 is a rear perspective view of the case in the closed position of FIG. 1.

FIG. 11 is a front view of the case in the closed position of FIG. 1.

FIG. 12 is a rear view of the case in the closed position of FIG. 1.

FIG. 13 is a left side view of the case in the closed position of FIG. 1.

FIG. 14 is a right side view of the case in the closed position of FIG. 1.

FIG. 15 is a top view of the case in the closed position of FIG. 1.

FIG. 16 is a bottom view of the case in the closed position of FIG. 1.

FIG. 17 is a front perspective view of the left earphone of FIG. 1.

FIG. 18 is a rear perspective view of the left earphone of FIG. 1.

FIG. 19 is a front view of the left earphone of FIG. 1.

FIG. 20 is a rear view of the left earphone of FIG. 1.

FIG. 21 is a left side view of the left earphone of FIG. 1.

FIG. 22 is a right side view of the left earphone of FIG. 1.

FIG. 23 is a top view of the left earphone of FIG. 1.

(Continued)

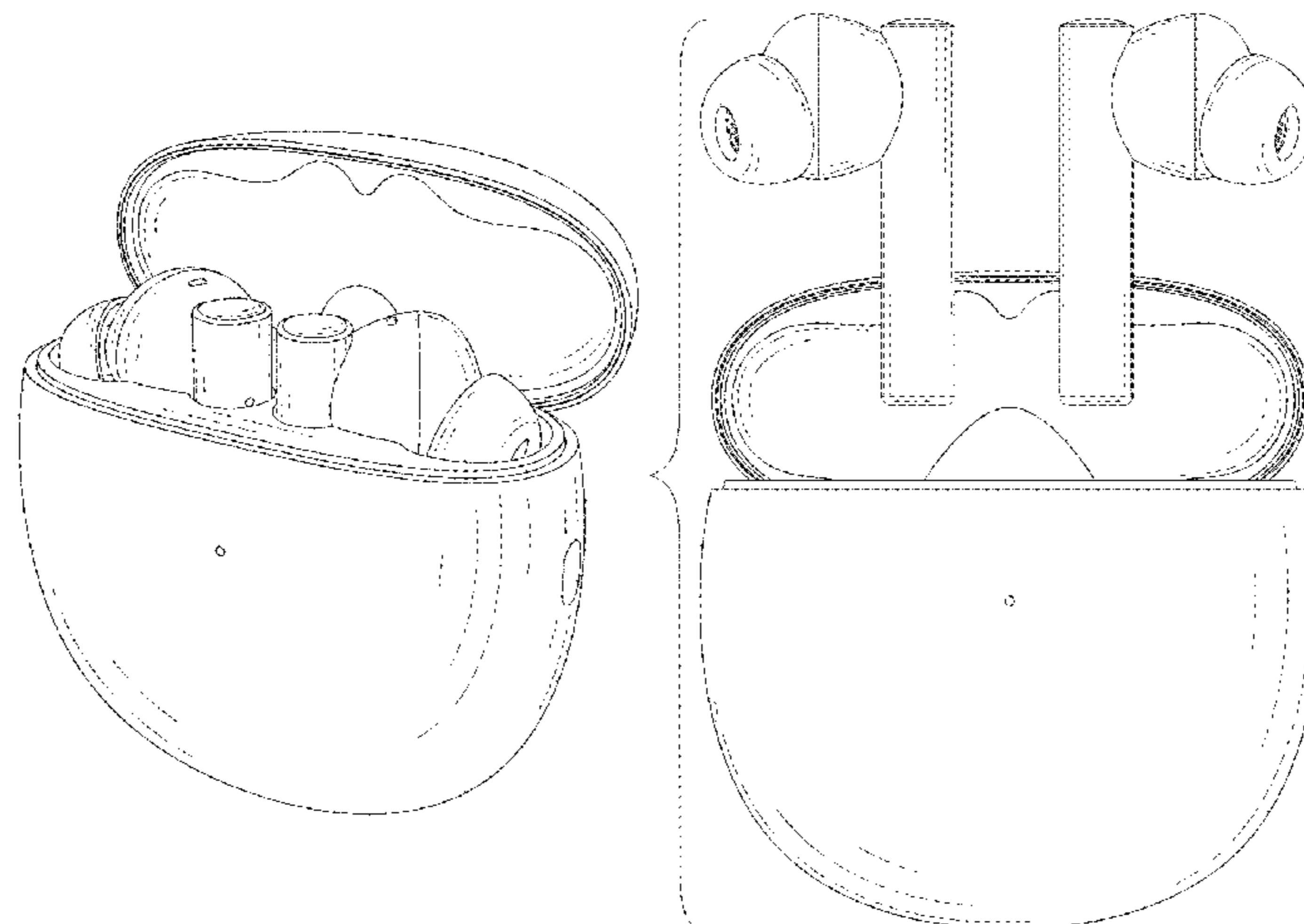


FIG. 24 is a bottom view of the left earphone of FIG. 1.
 FIG. 25 is a front perspective view of the right earphone of FIG. 1.
 FIG. 26 is a rear perspective view of the right earphone of FIG. 1.
 FIG. 27 is a front view of the right earphone of FIG. 1.
 FIG. 28 is a rear view of the right earphone of FIG. 1.
 FIG. 29 is a left side view of the right earphone of FIG. 1.
 FIG. 30 is a right side view of the right earphone of FIG. 1.
 FIG. 31 is a top view of the right earphone of FIG. 1; and,
 FIG. 32 is a bottom view of the right earphone of FIG. 1.

1 Claim, 29 Drawing Sheets

(58) **Field of Classification Search**

USPC D28/83, 66, 76, 78; 206/702, 268;
 220/4.22; D24/174; 128/864-866;
 381/380-381, 322, 328; 320/110;
 455/90.3, 575.1, 569.1
 CPC H04R 1/10; H04R 25/00; H04R 1/1066;
 H04R 1/1016; H04R 5/033; H04R
 5/0335; H02J 7/025; B65D 25/10; B65D
 5/00; B65D 43/02

See application file for complete search history.

(56) **References Cited**

U.S. PATENT DOCUMENTS

D469,753 S * 2/2003 Andre D14/205
 D637,647 S * 5/2011 Allison D19/73
 D736,185 S * 8/2015 Yaegashi D14/223
 D752,542 S * 3/2016 Lamar D14/205
 D775,960 S * 1/2017 Erdwiens D9/734
 D798,844 S * 10/2017 Nokuo D14/223
 D806,388 S * 1/2018 Akana D3/294
 D818,268 S * 5/2018 Akana D3/294
 D849,401 S * 5/2019 Akana D3/274
 D878,045 S * 3/2020 Akana D3/274
 10,587,965 B2 * 3/2020 Mueller H02J 7/0044
 D881,572 S * 4/2020 Wang D3/294
 D888,408 S * 6/2020 Lee D3/269
 D889,439 S * 7/2020 Hsieh D14/223
 D890,091 S * 7/2020 Cramer D13/108

D892,497 S * 8/2020 Wright D3/218
 D893,462 S * 8/2020 Liu D14/223
 D894,875 S * 9/2020 Zhao D14/223
 D895,582 S * 9/2020 Wu D14/223
 D896,206 S * 9/2020 Xu D14/223
 D897,997 S * 10/2020 Zhang D14/223
 D898,664 S * 10/2020 Bhutani D13/108
 D902,588 S * 11/2020 Zhang D3/294
 D904,005 S * 12/2020 Jung D3/201
 D904,023 S * 12/2020 Wang D14/223
 D904,025 S * 12/2020 Ma D3/294
 D906,299 S * 12/2020 Luo D14/223
 D907,009 S * 1/2021 Akana D14/223
 D910,600 S * 2/2021 Zhang D14/223
 D910,601 S * 2/2021 Hu D14/223
 D918,179 S * 5/2021 Zhao D14/223
 D918,182 S * 5/2021 Chen D14/223
 D920,236 S * 5/2021 Xie D3/294
 D922,987 S * 6/2021 Yoo D14/223
 D923,609 S * 6/2021 Li D14/223
 D927,417 S * 8/2021 Sretovic D3/294
 D928,126 S * 8/2021 Chen D14/223
 D928,619 S * 8/2021 Kim D9/519
 D929,374 S * 8/2021 Akana D14/223
 D929,969 S * 9/2021 Ding D3/274
 D930,361 S * 9/2021 Jacobs D3/294
 D931,838 S * 9/2021 Deng D14/223
 D932,428 S * 10/2021 Reimann D3/294
 D934,563 S * 11/2021 Xiang D3/294
 D935,772 S * 11/2021 Chen D3/294
 D942,424 S * 2/2022 Ye D14/223
 D948,484 S * 4/2022 Zhang D14/223
 2020/0107098 A1 * 4/2020 DiFonzo H01F 1/147
 2020/0266640 A1 * 8/2020 Valenzuela H02J 7/0044
 2020/0382856 A1 * 12/2020 Liu H04R 11/02
 2021/0058687 A1 * 2/2021 Liu H04R 1/1025
 2021/0085047 A1 * 3/2021 Wright A45C 13/02
 2021/0160607 A1 * 5/2021 Liu H04B 1/3888
 2021/0283287 A1 * 9/2021 Goodman A61L 2/10
 2021/0391739 A1 * 12/2021 Venkatraman H04R 1/1025

FOREIGN PATENT DOCUMENTS

EM 008465926-0001 * 3/2021
 EM 008520050-0001 * 4/2021
 EM 008648224-0001 * 8/2021
 EM 008711774-0001 * 9/2021
 EM 008727382-0001 * 10/2021
 GB 6122698 * 3/2021
 GB 6198150 * 3/2022

* cited by examiner

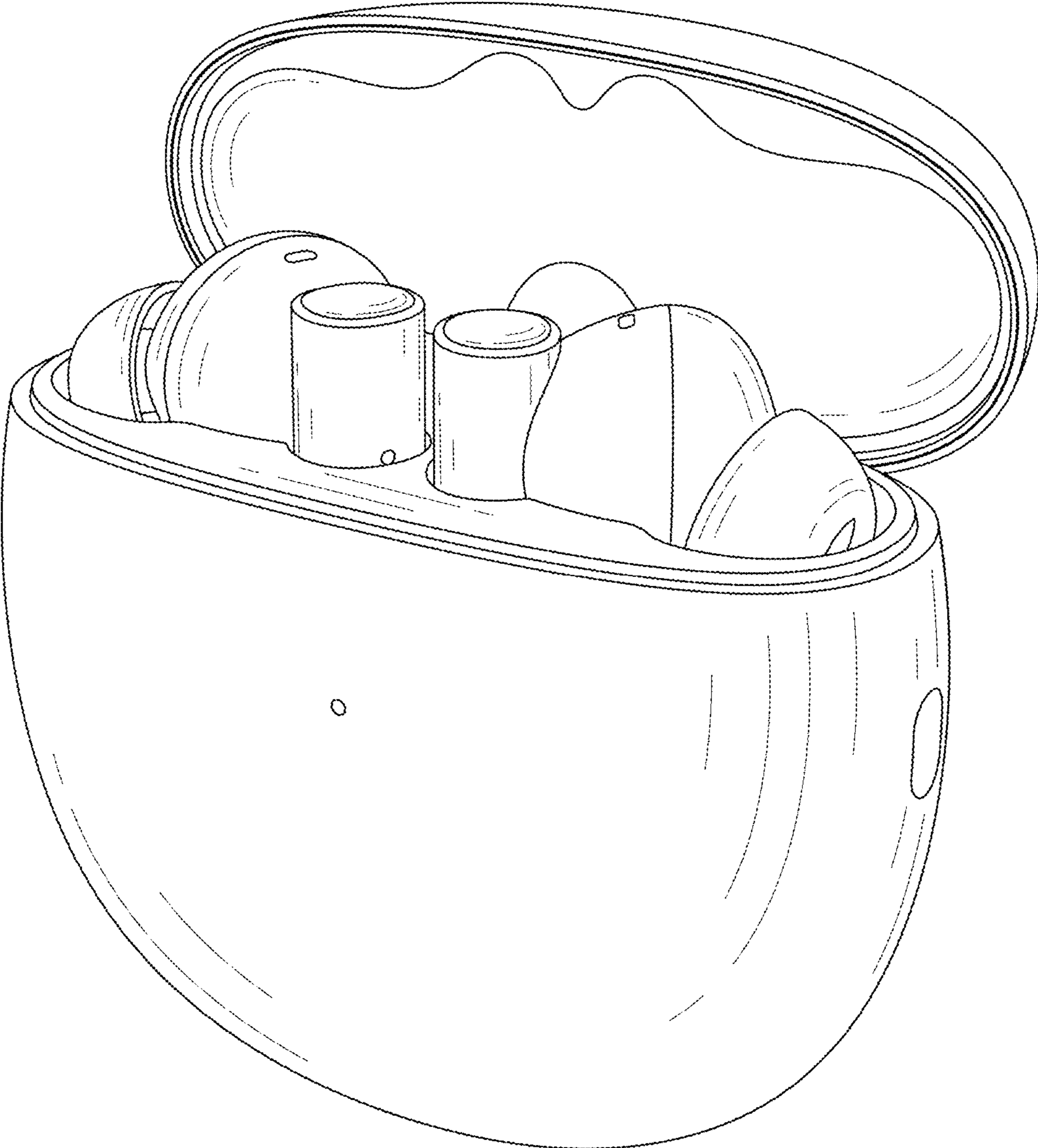


FIG. 1

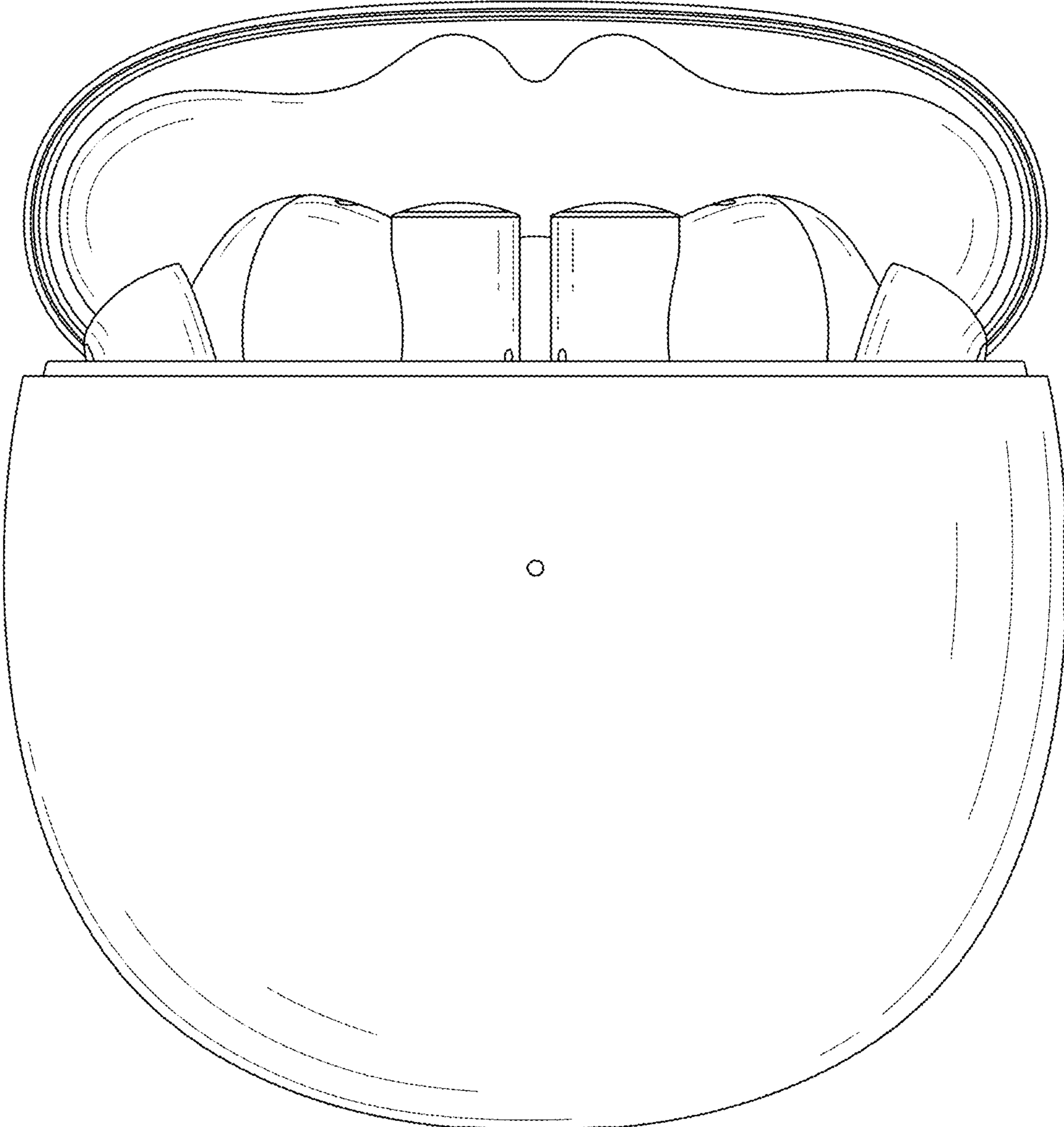


FIG. 2

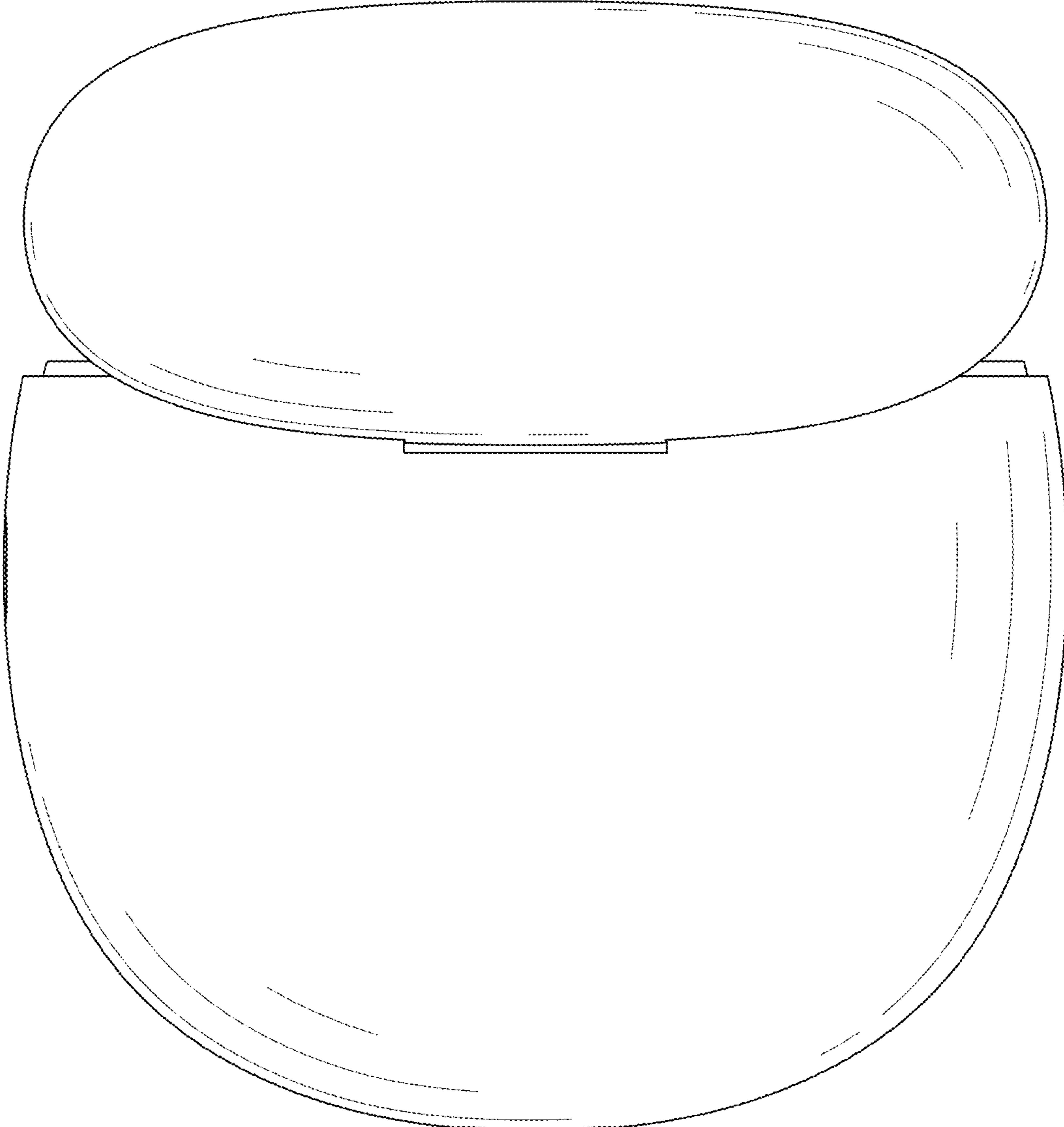


FIG. 3

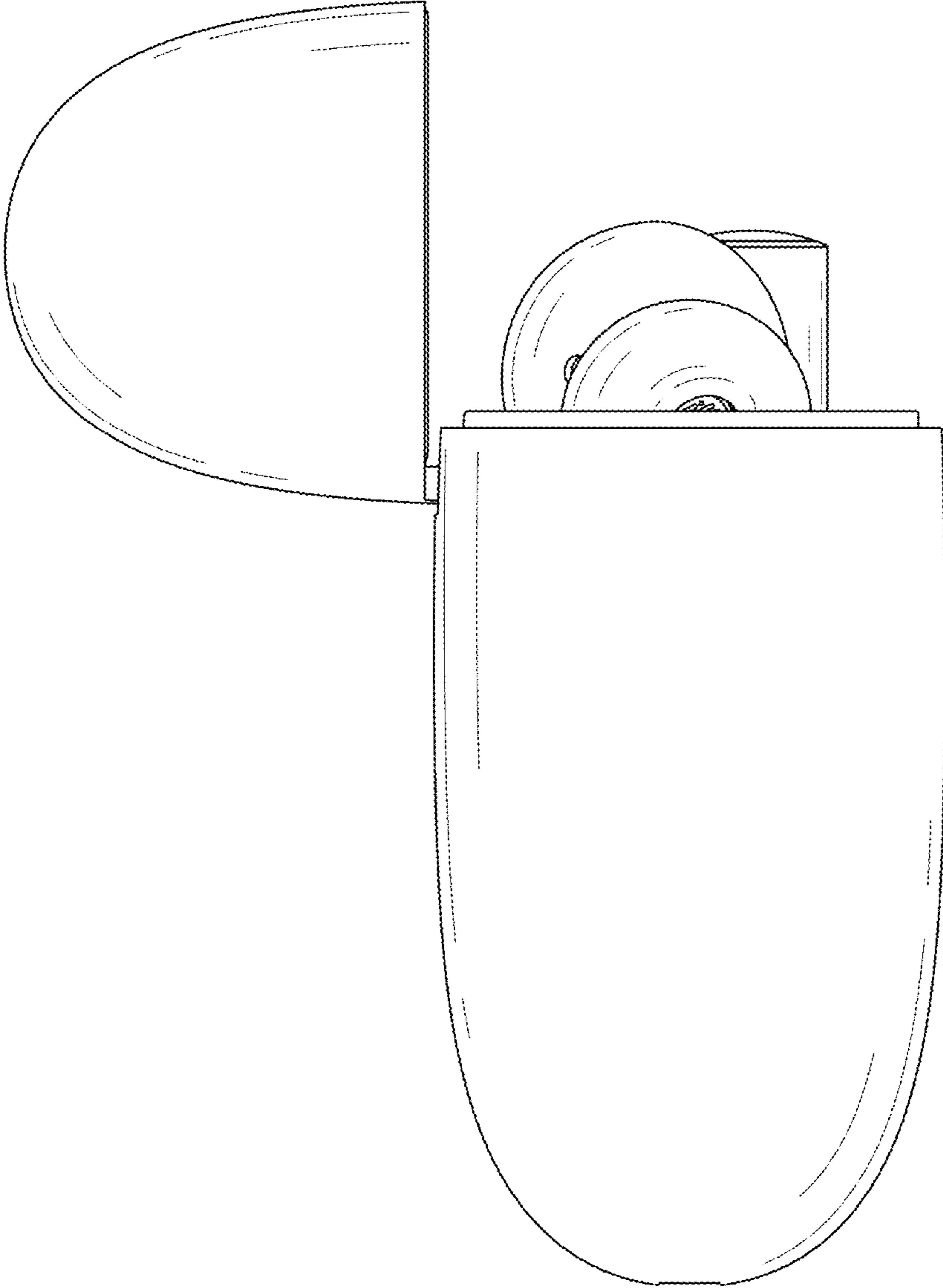


FIG. 4

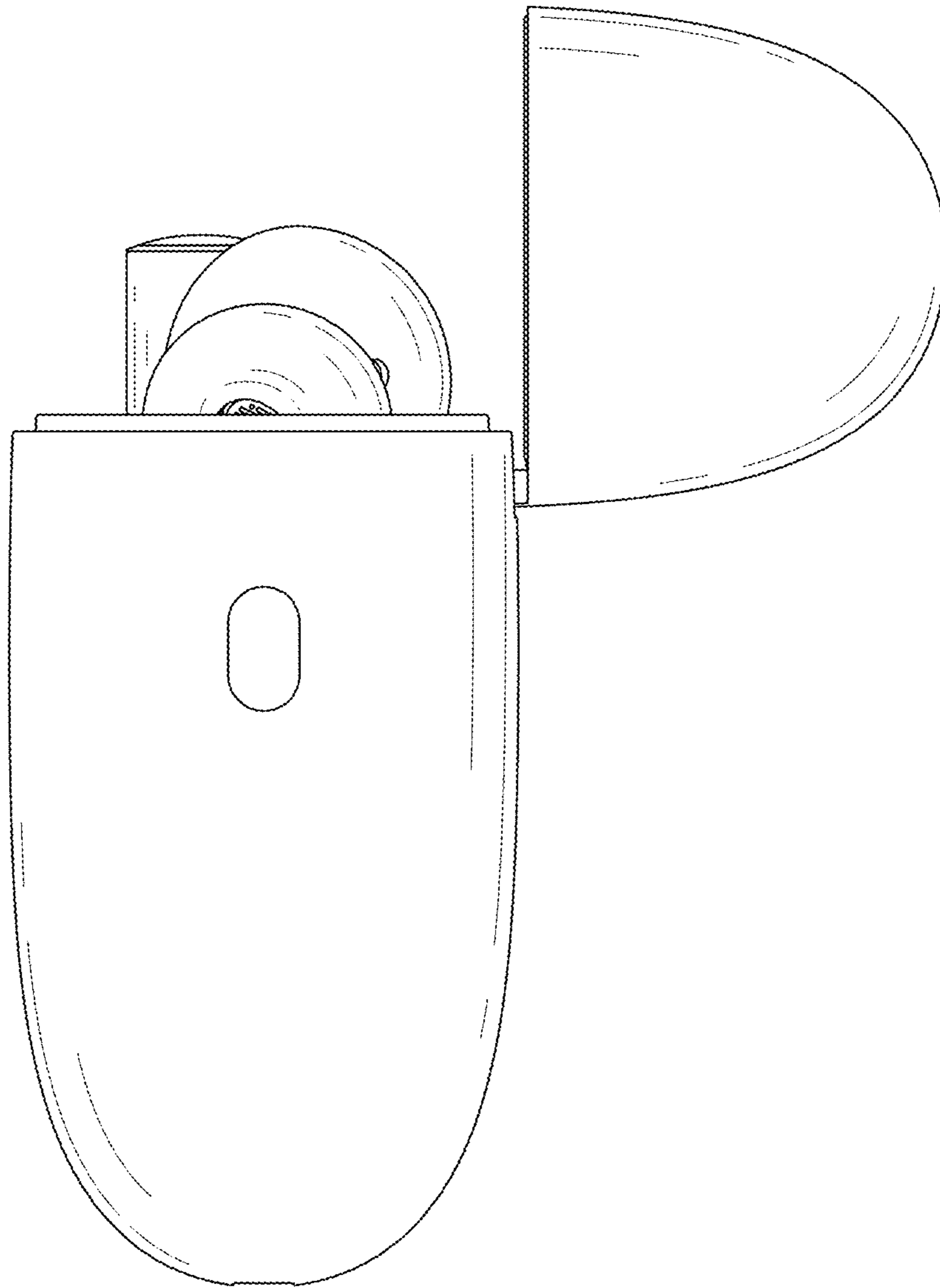


FIG. 5

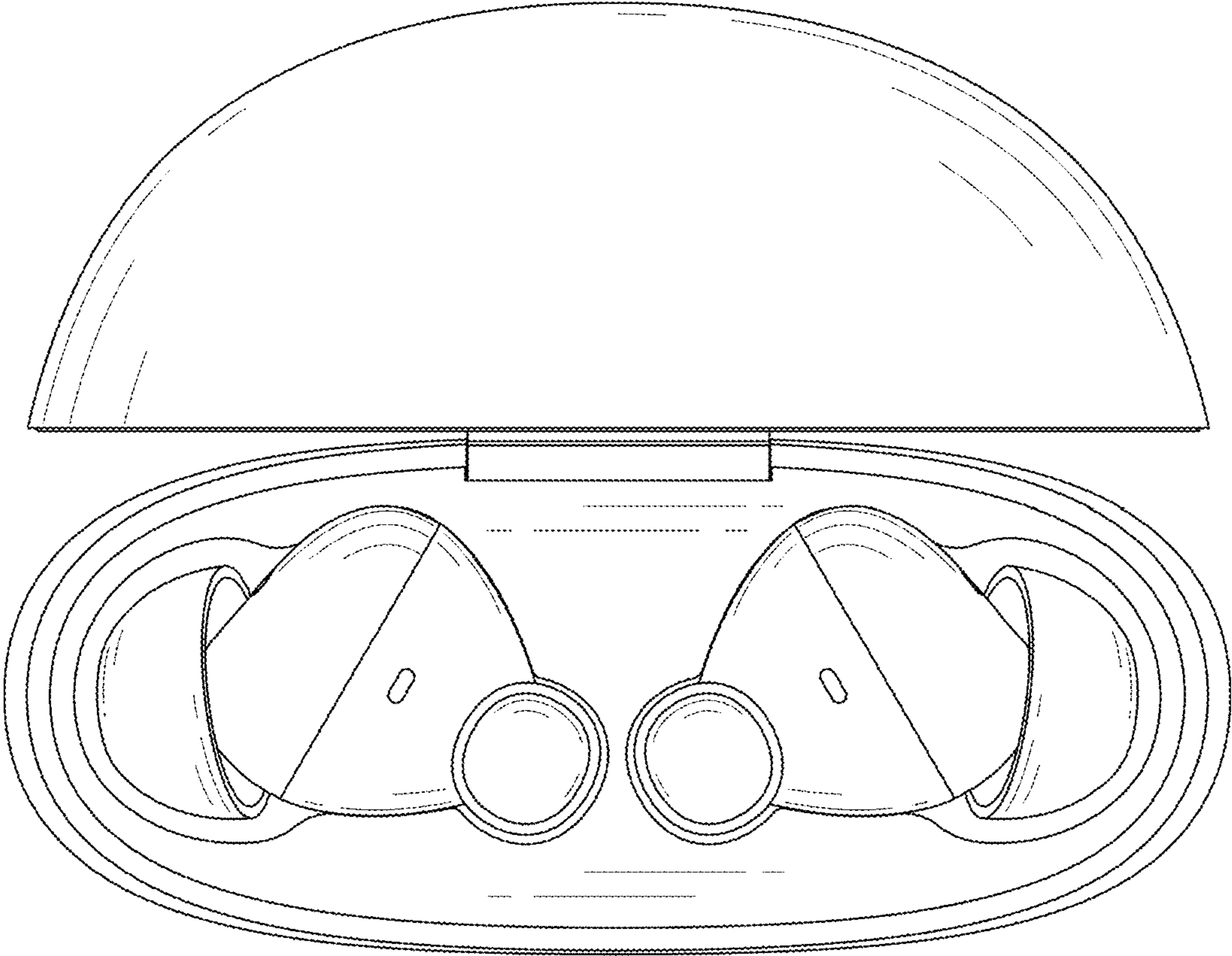


FIG. 6

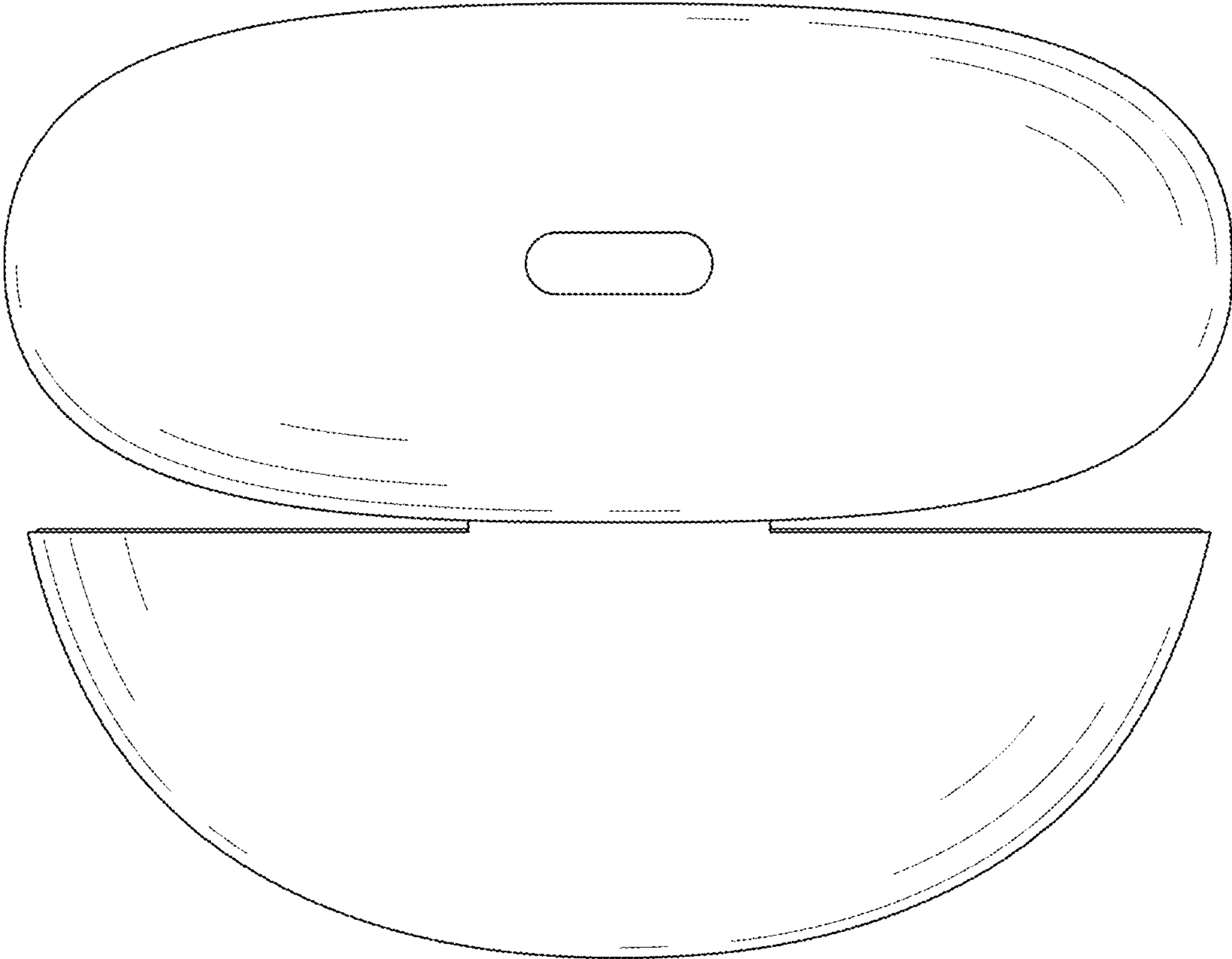


FIG. 7

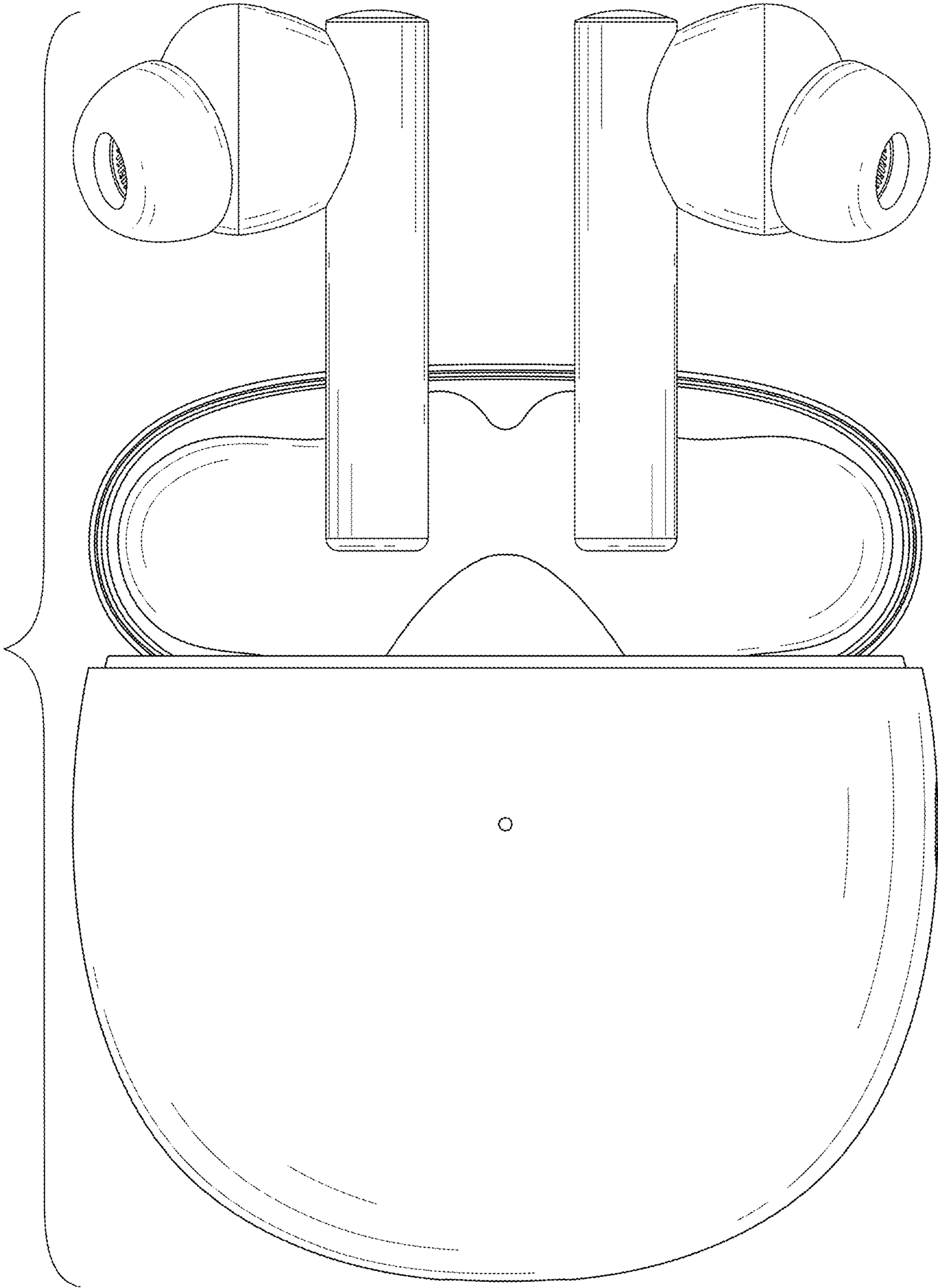


FIG. 8

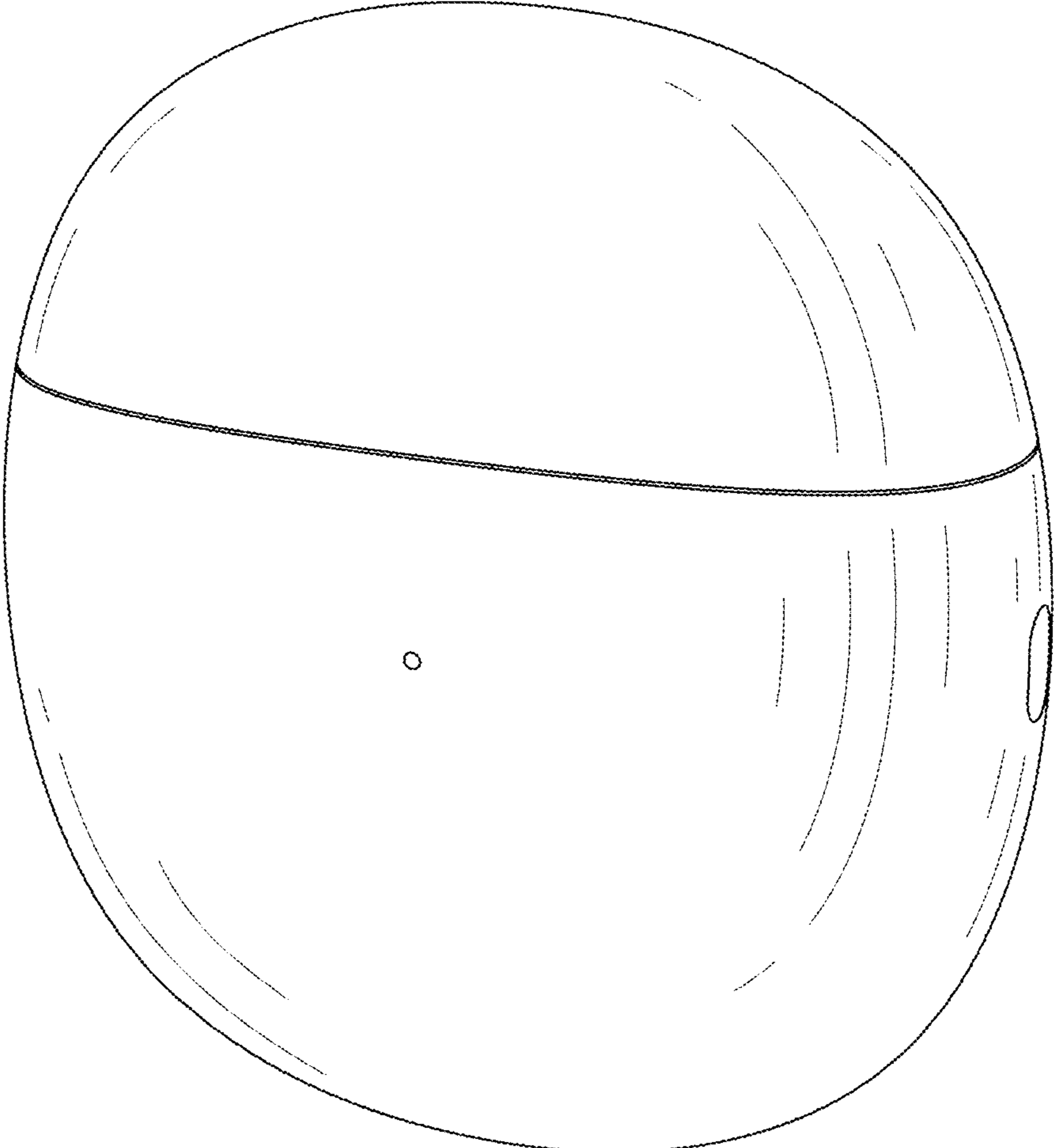


FIG. 9

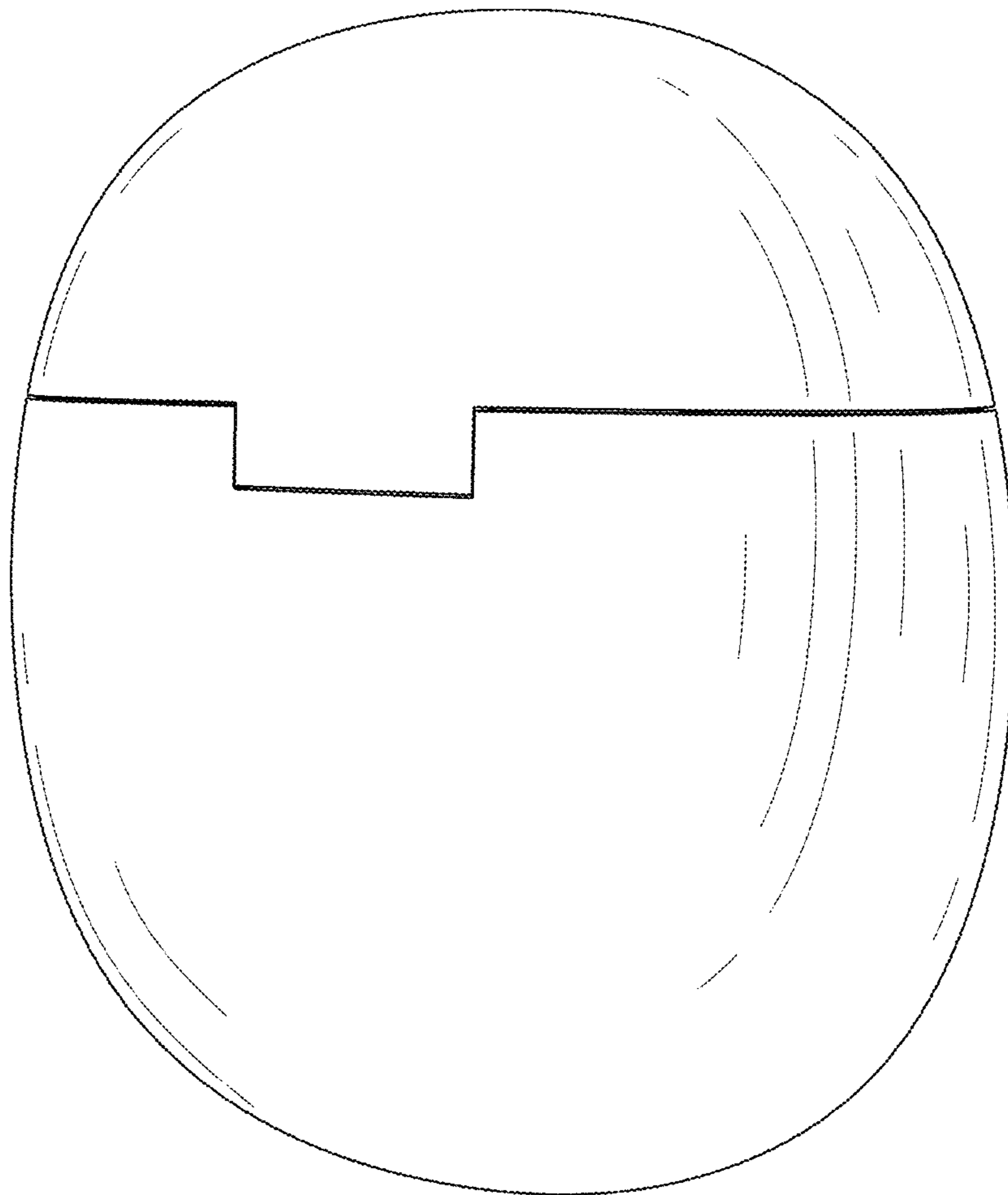


FIG. 10

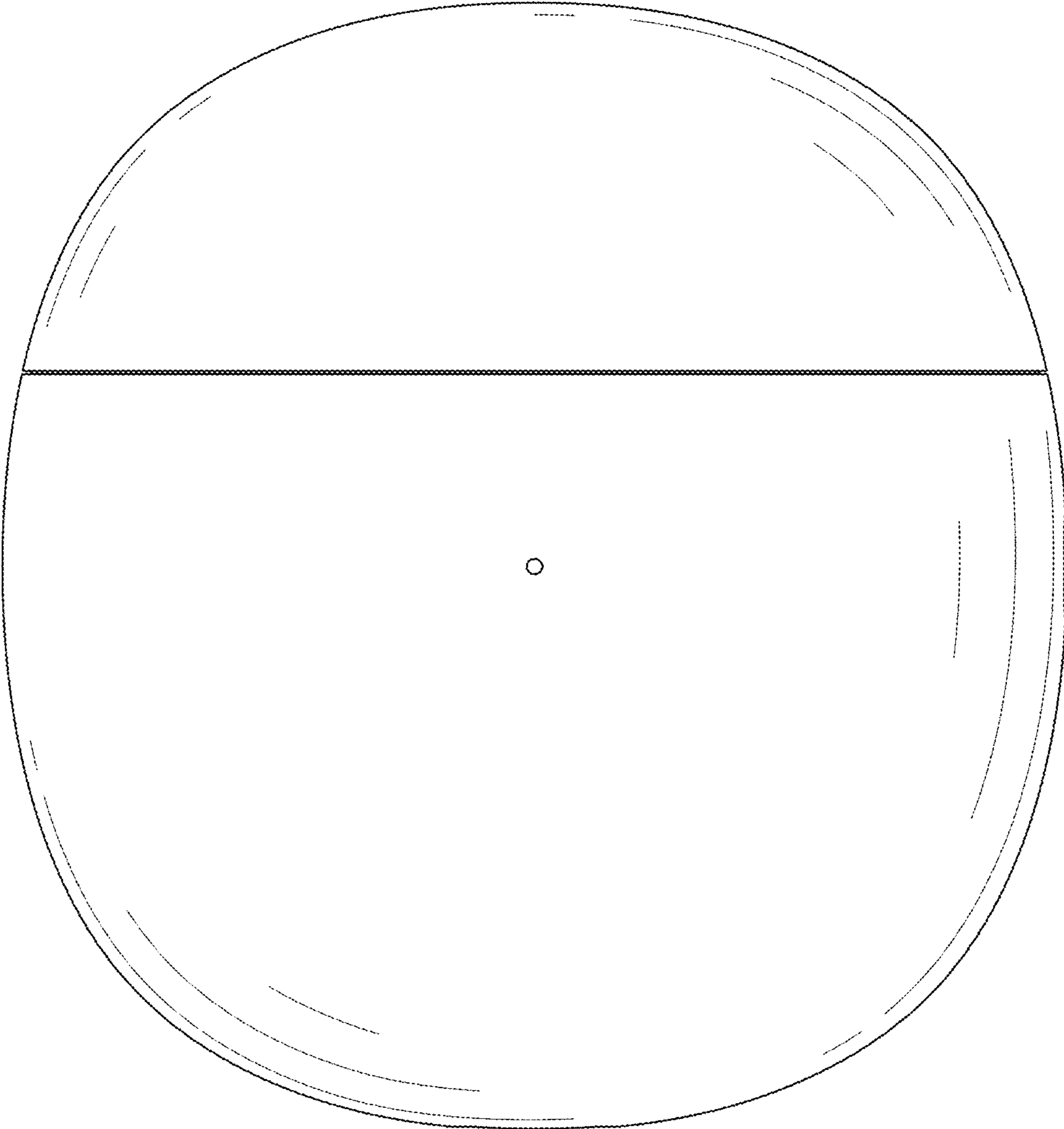


FIG. 11

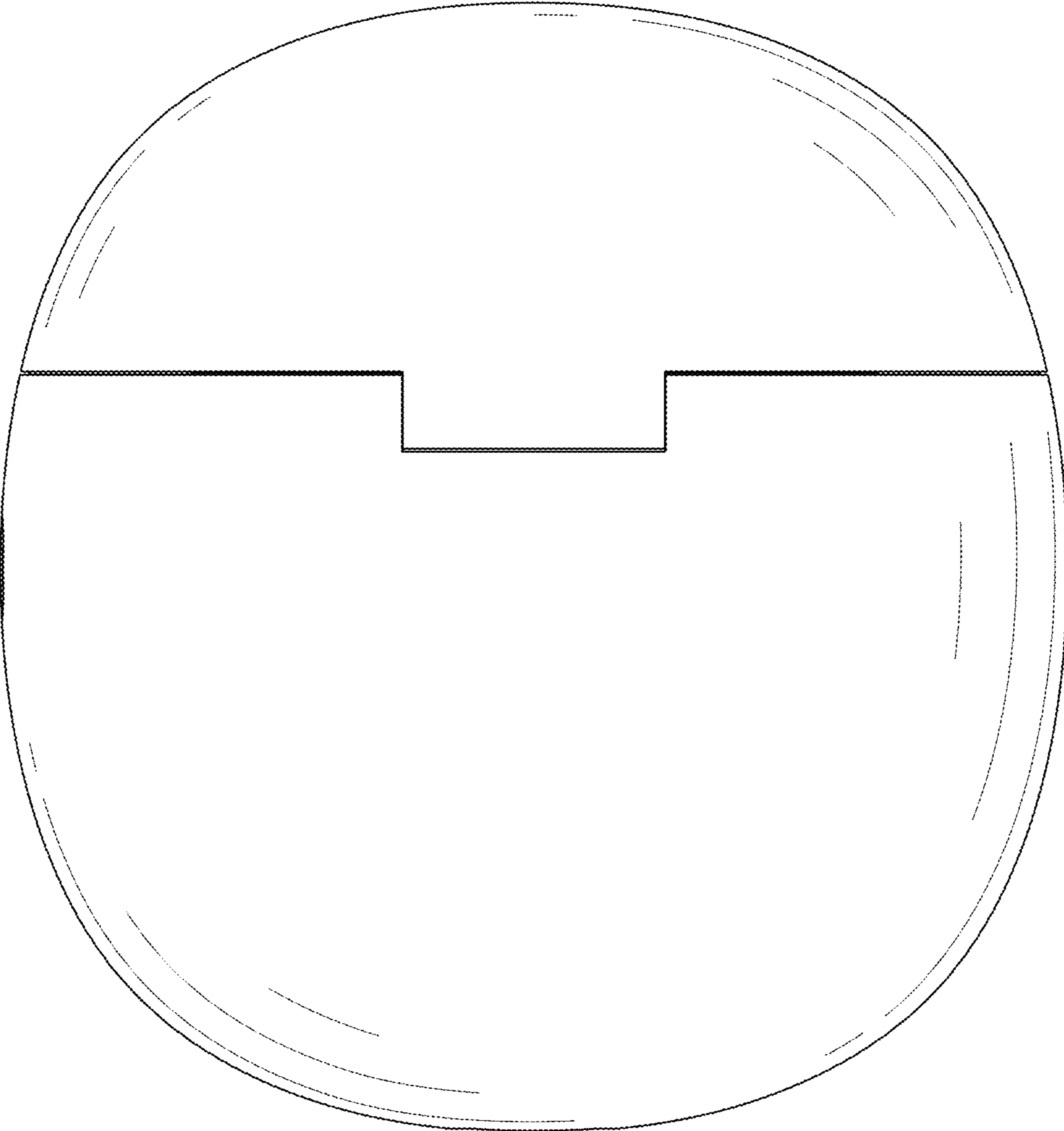


FIG. 12

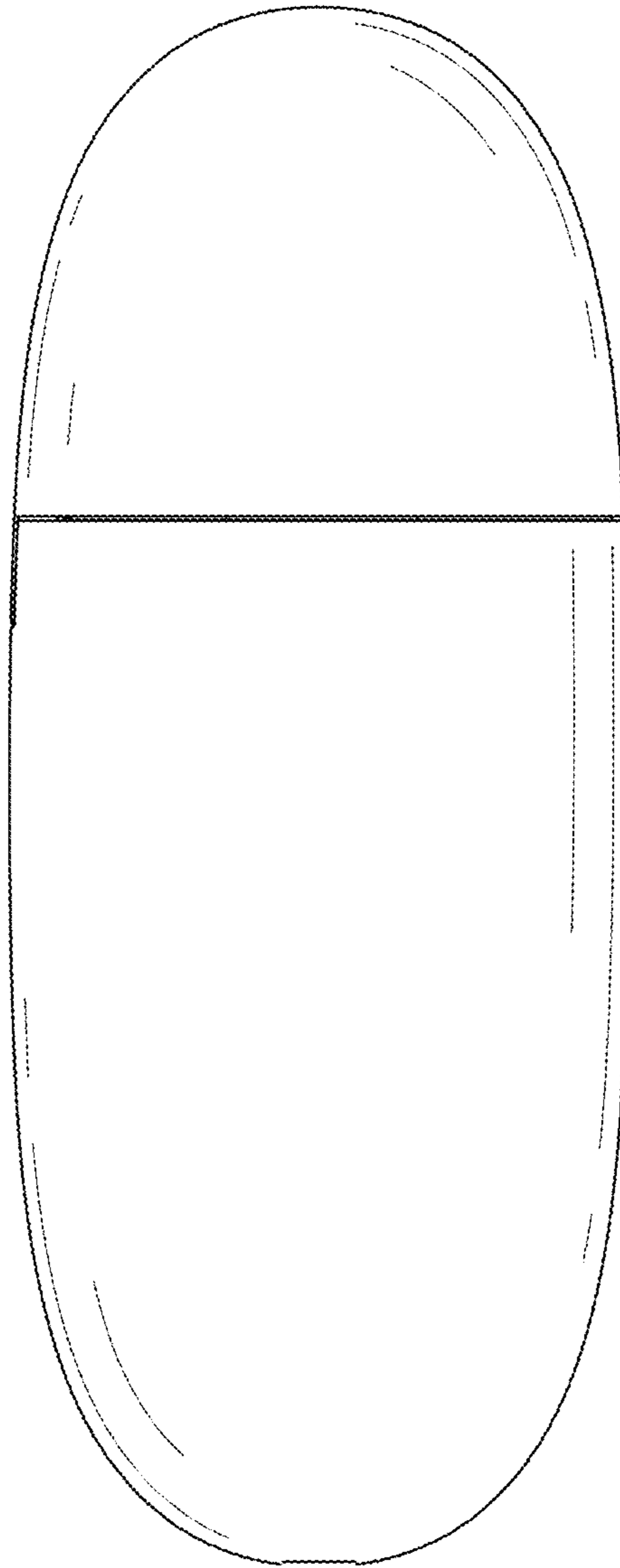


FIG. 13

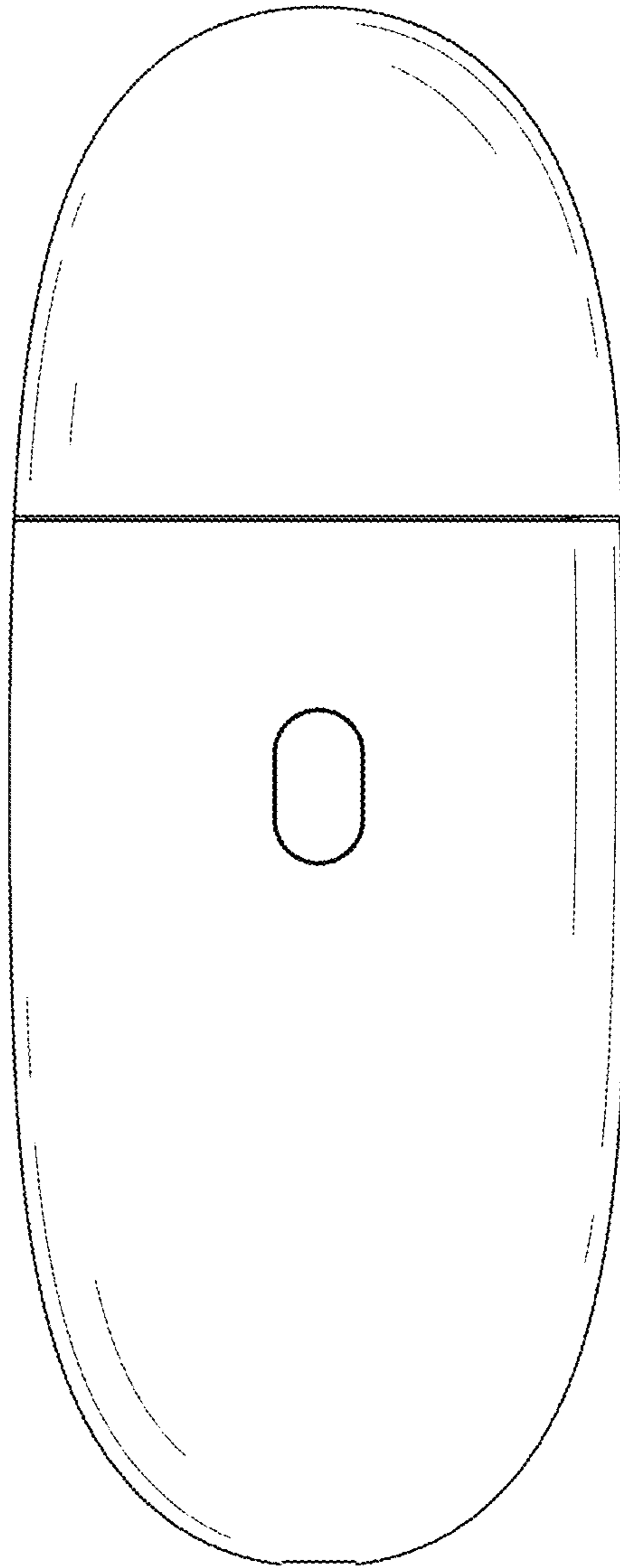


FIG. 14

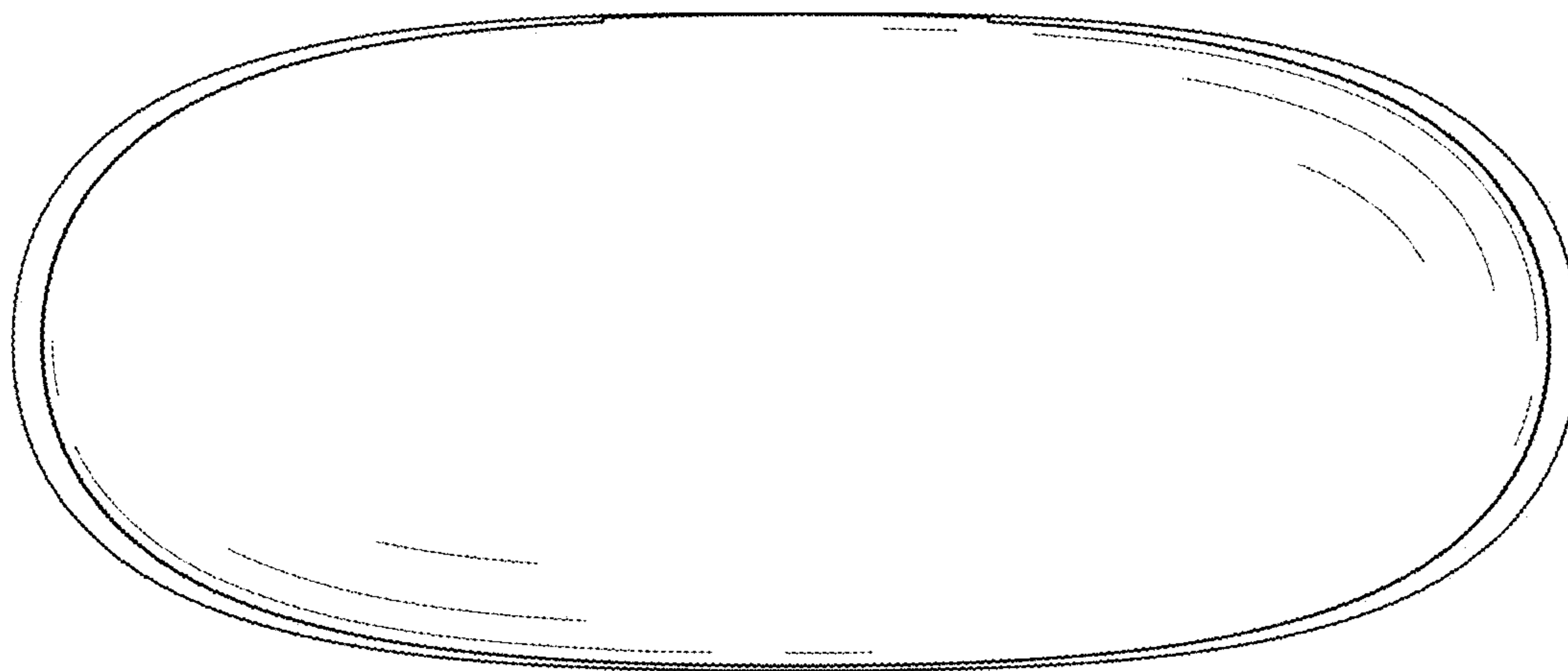


FIG. 15

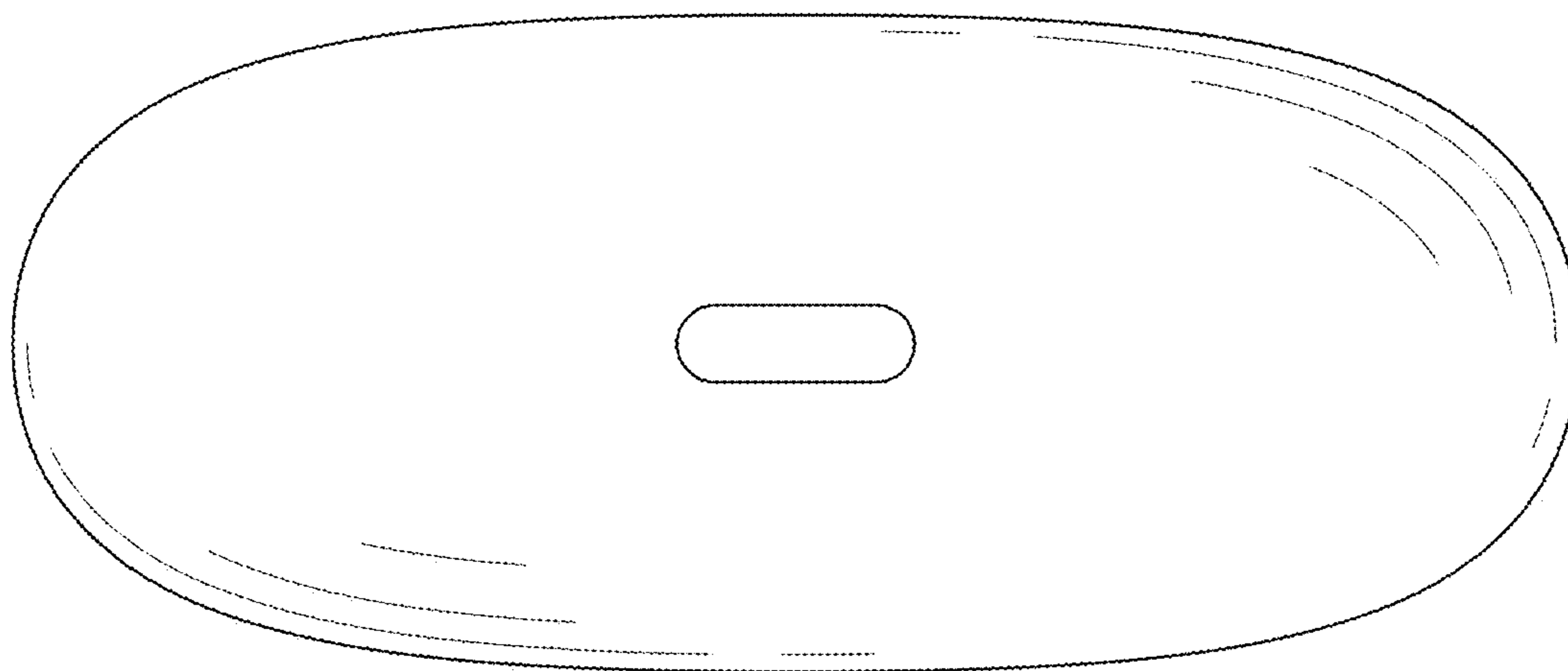


FIG. 16

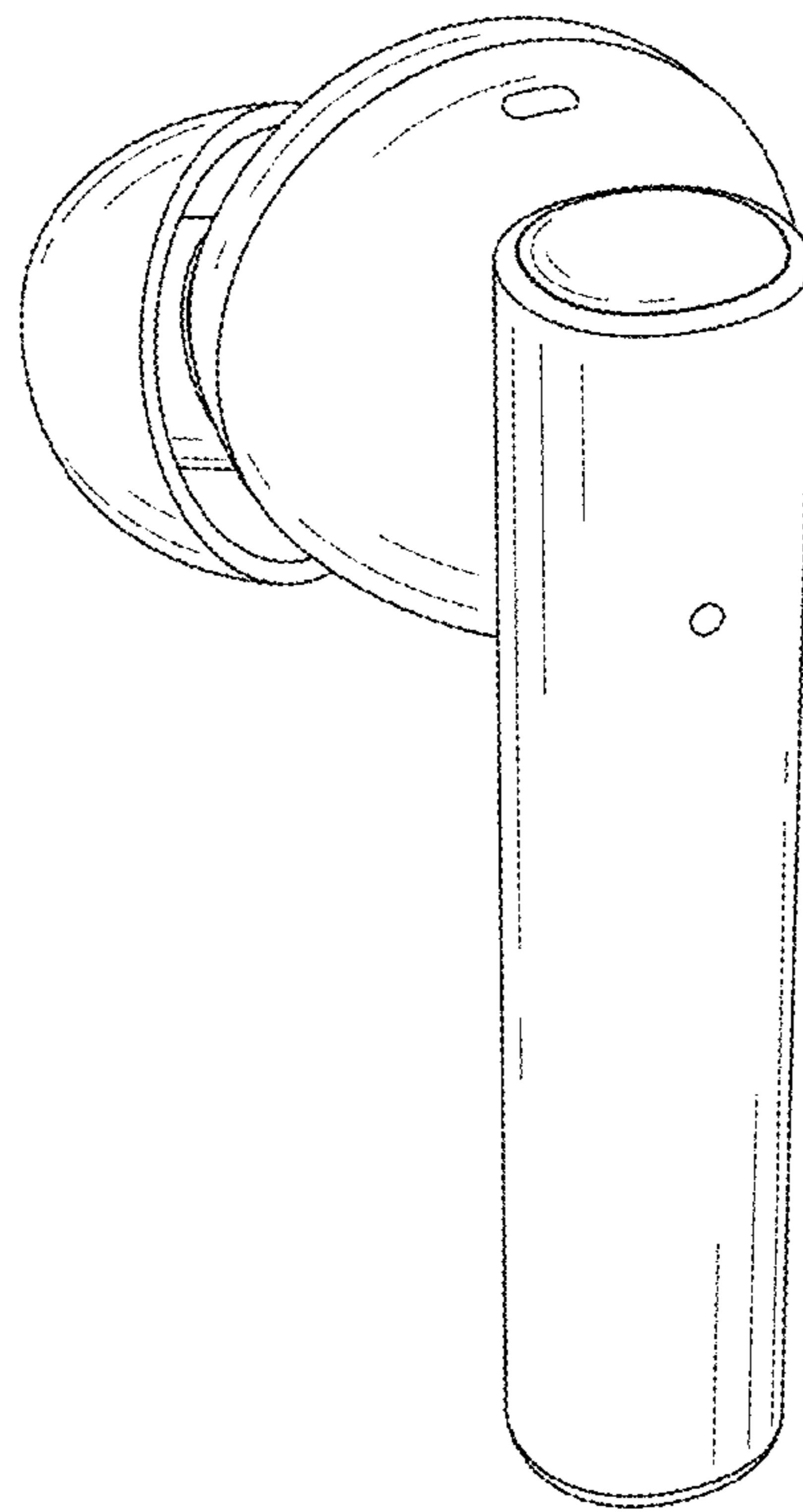


FIG. 17

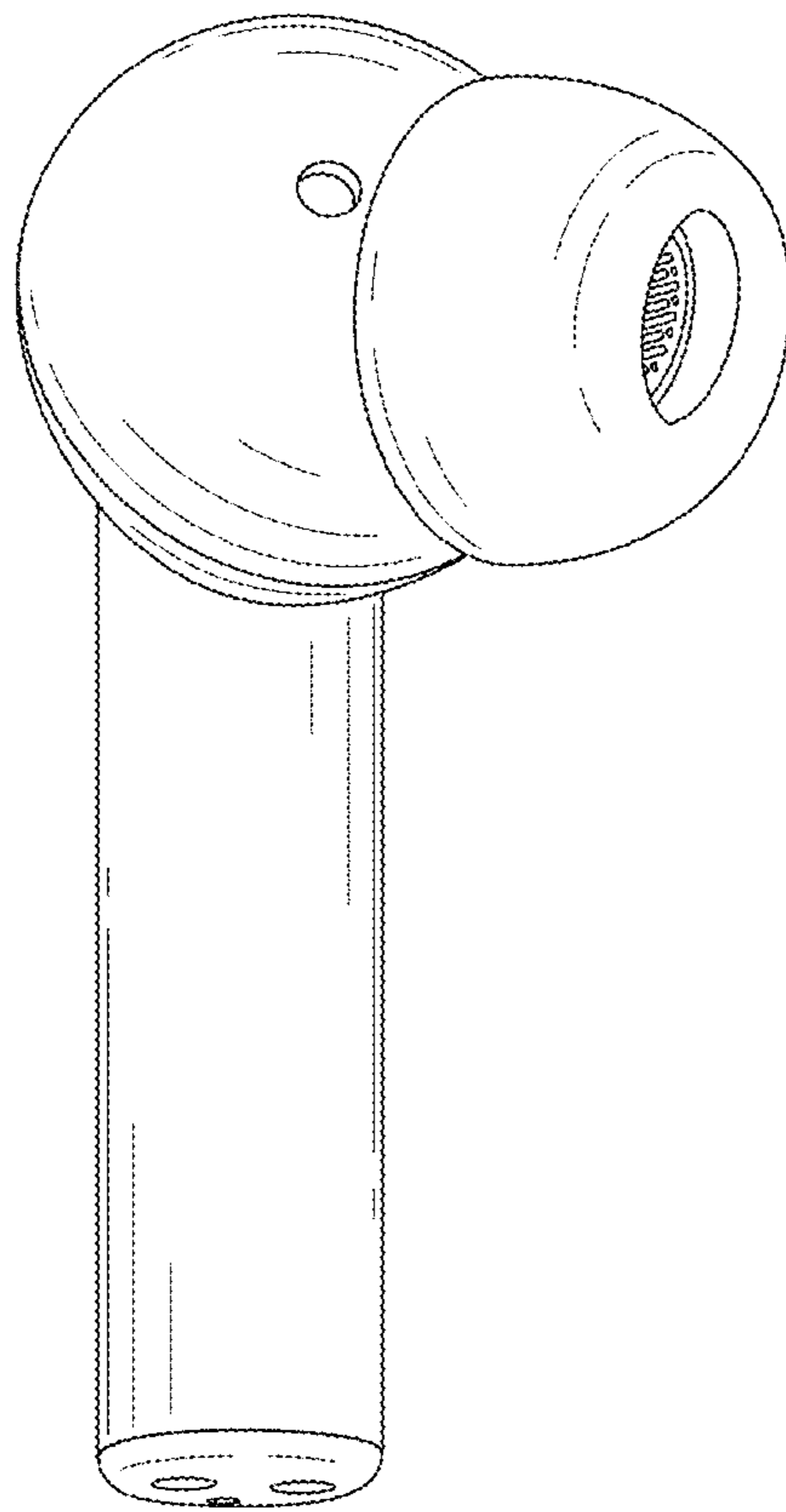


FIG. 18

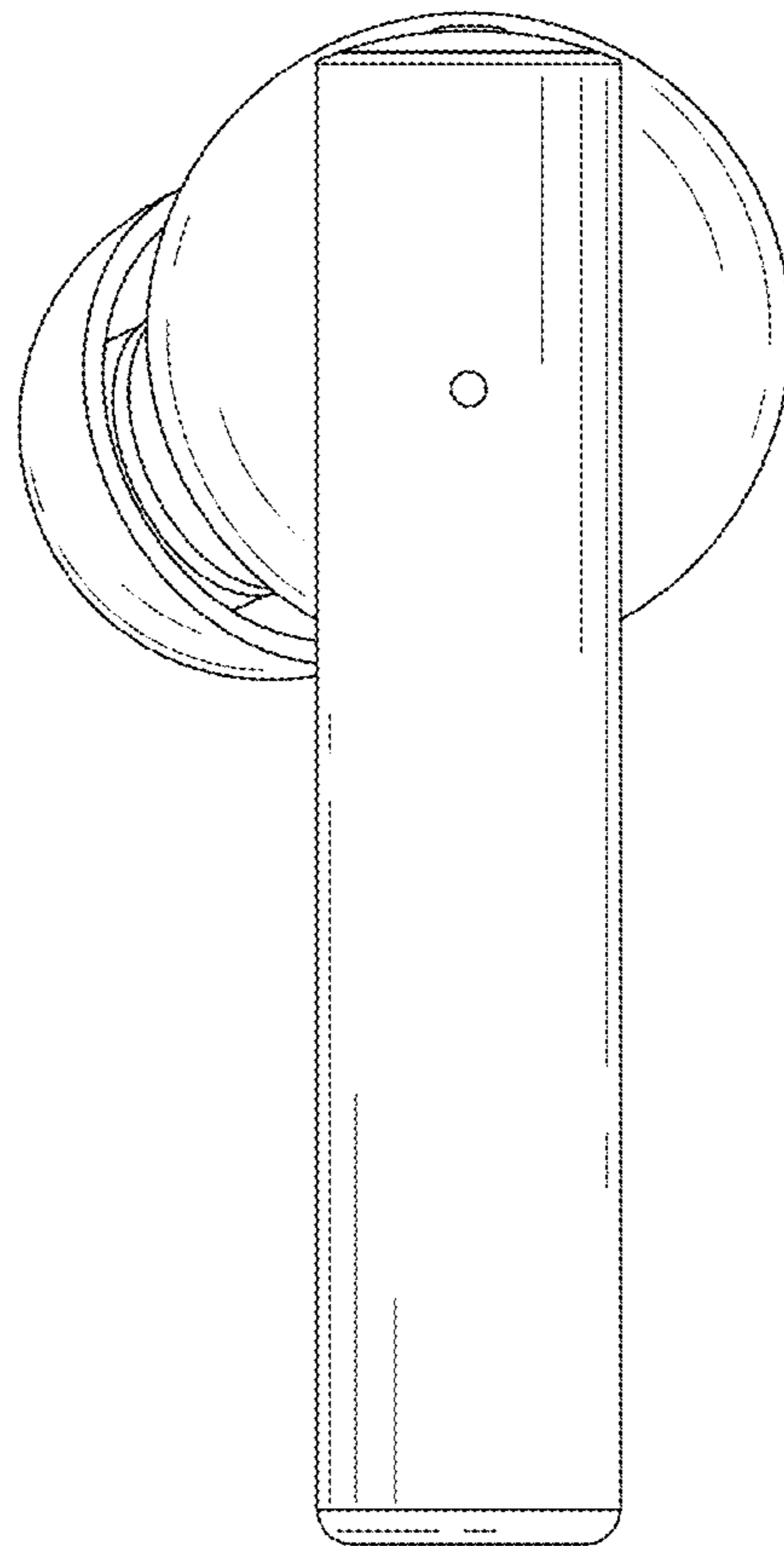


FIG. 19

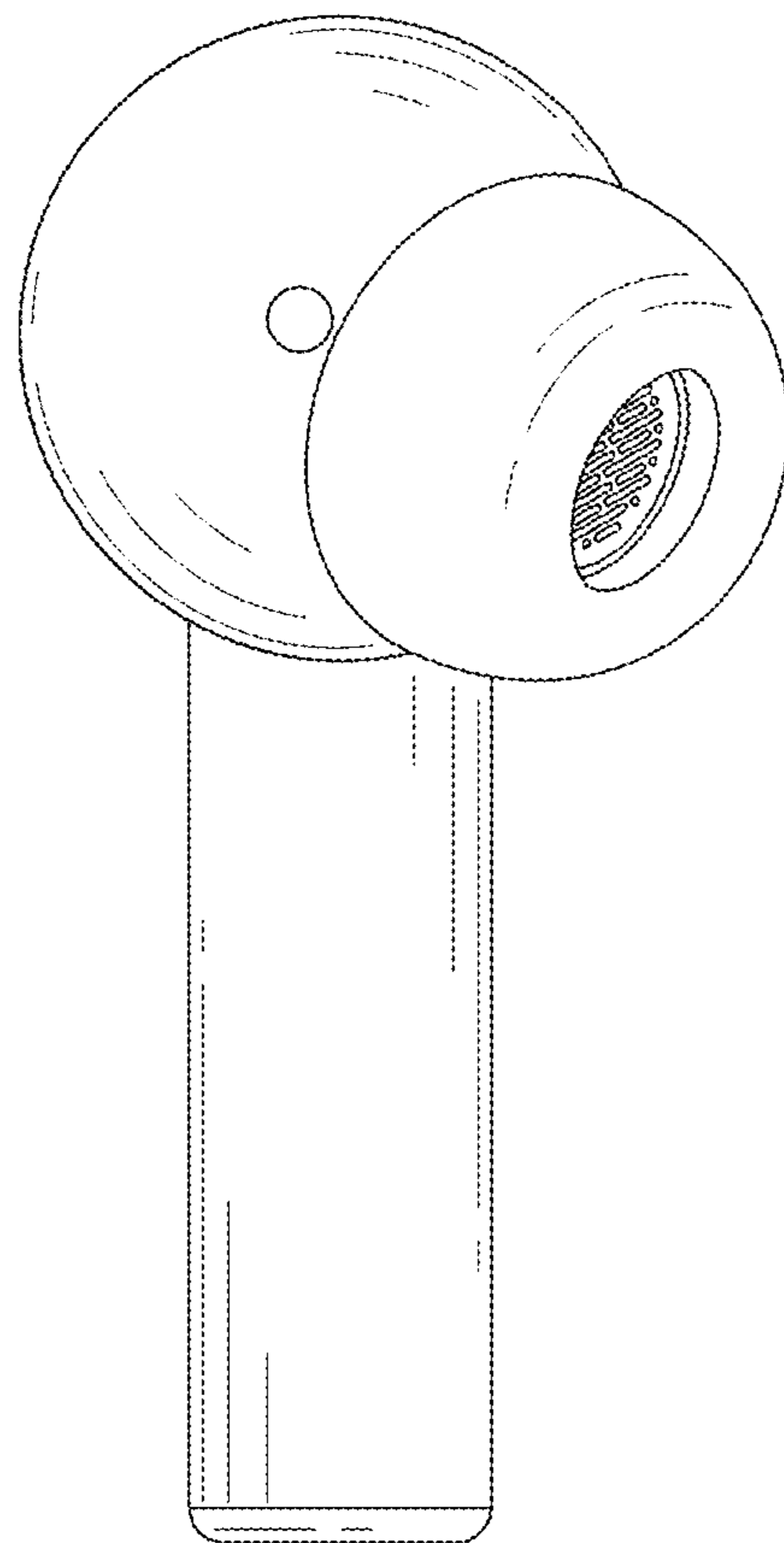


FIG. 20

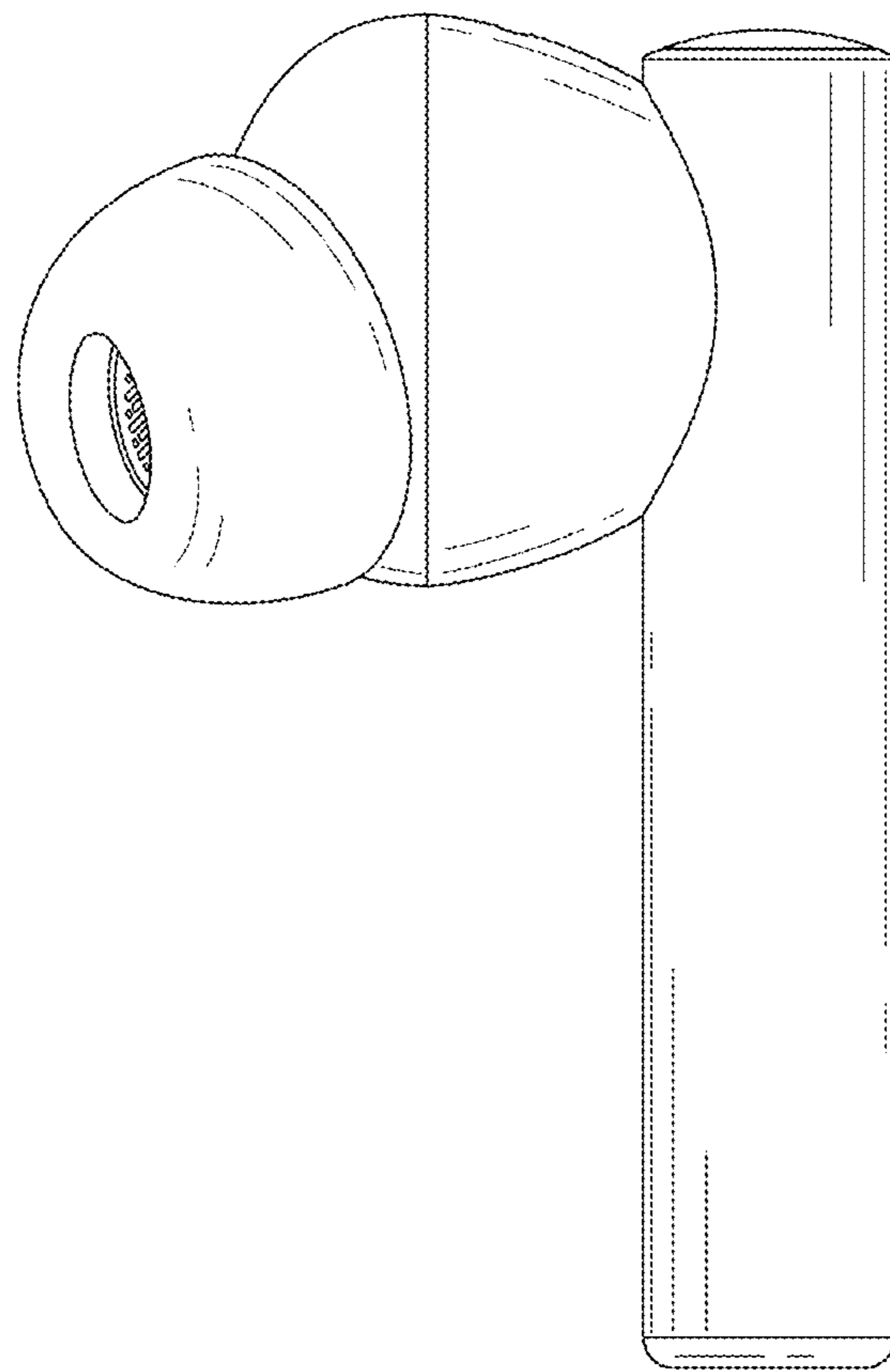


FIG. 21

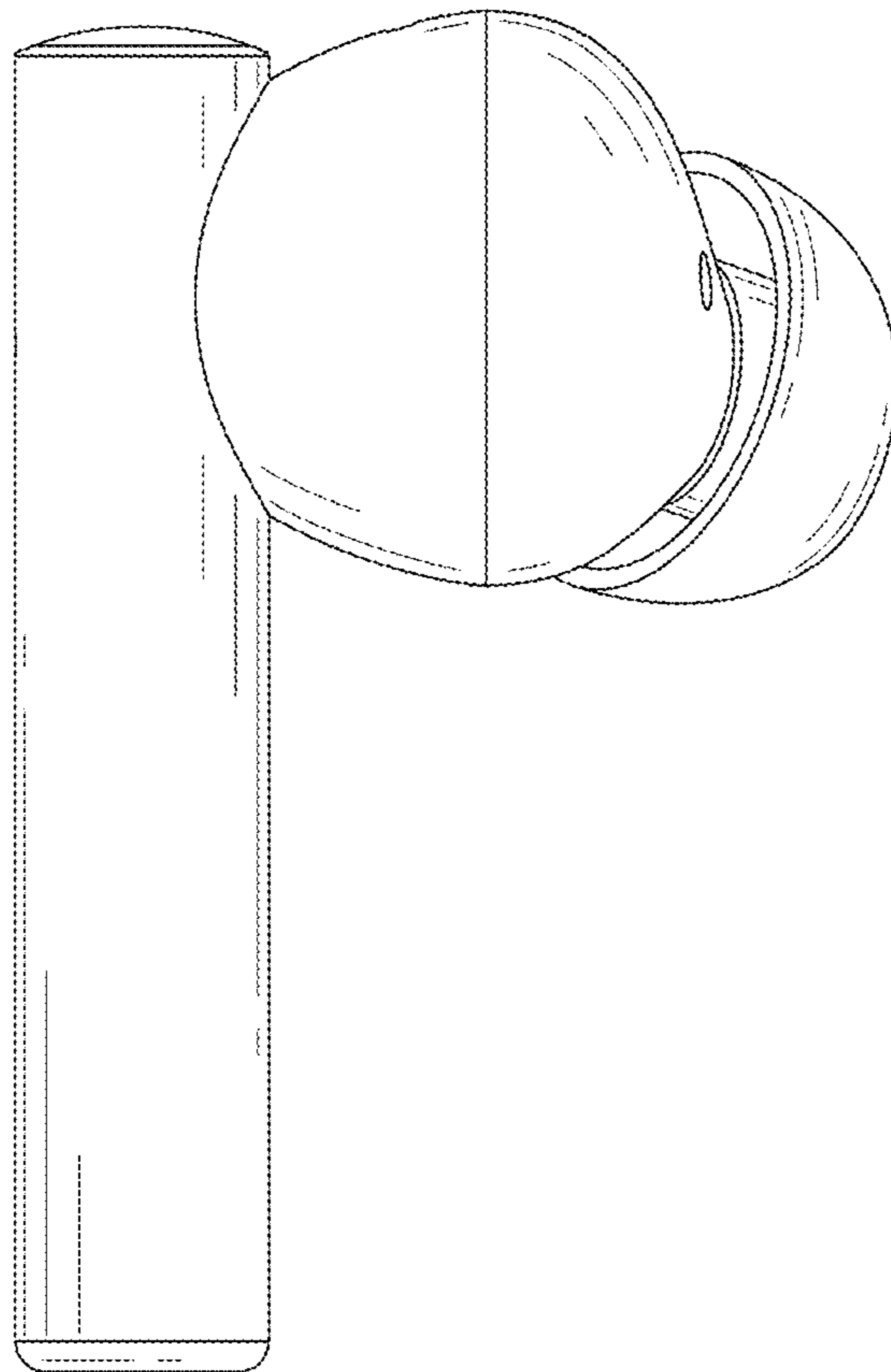


FIG. 22

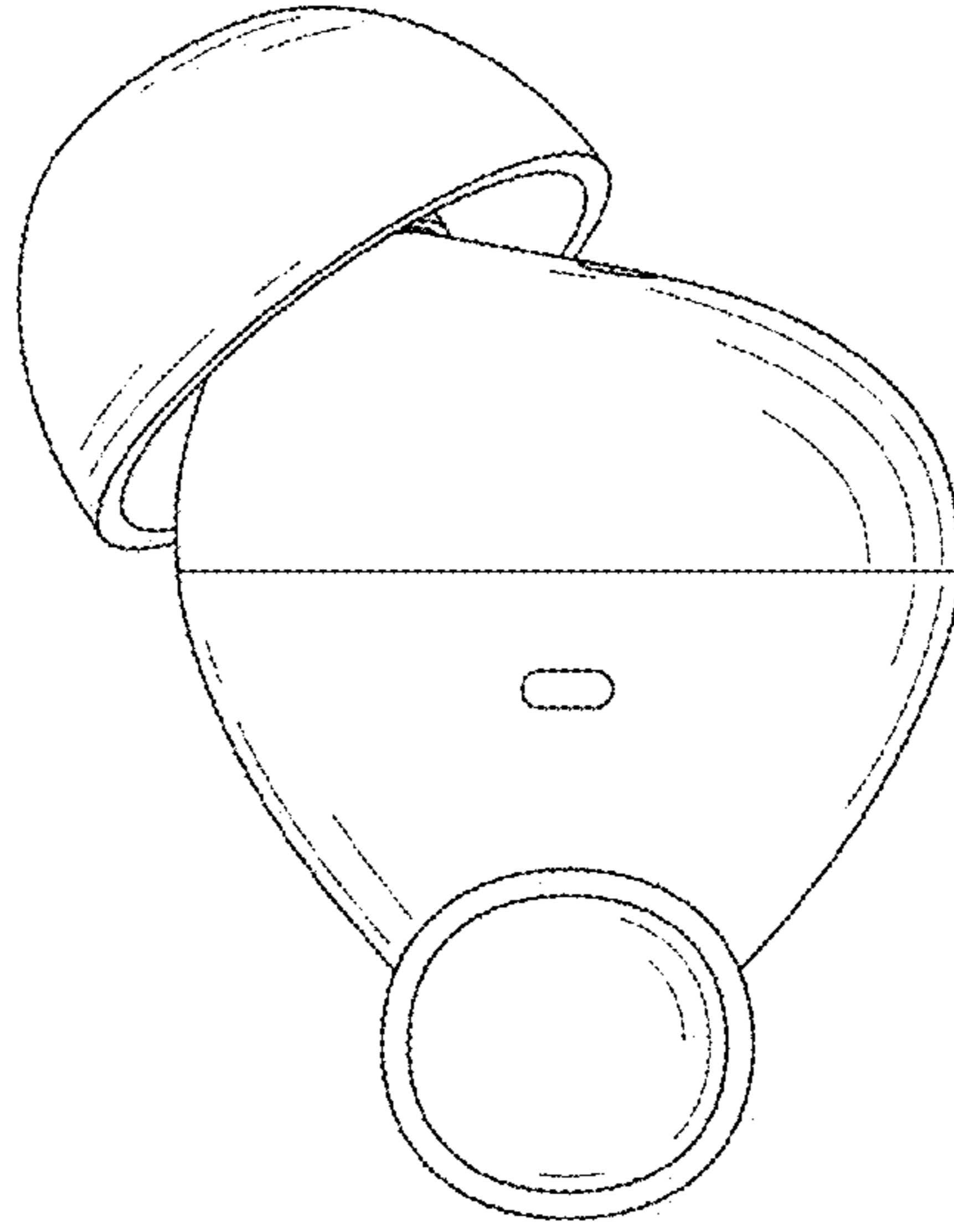


FIG. 23

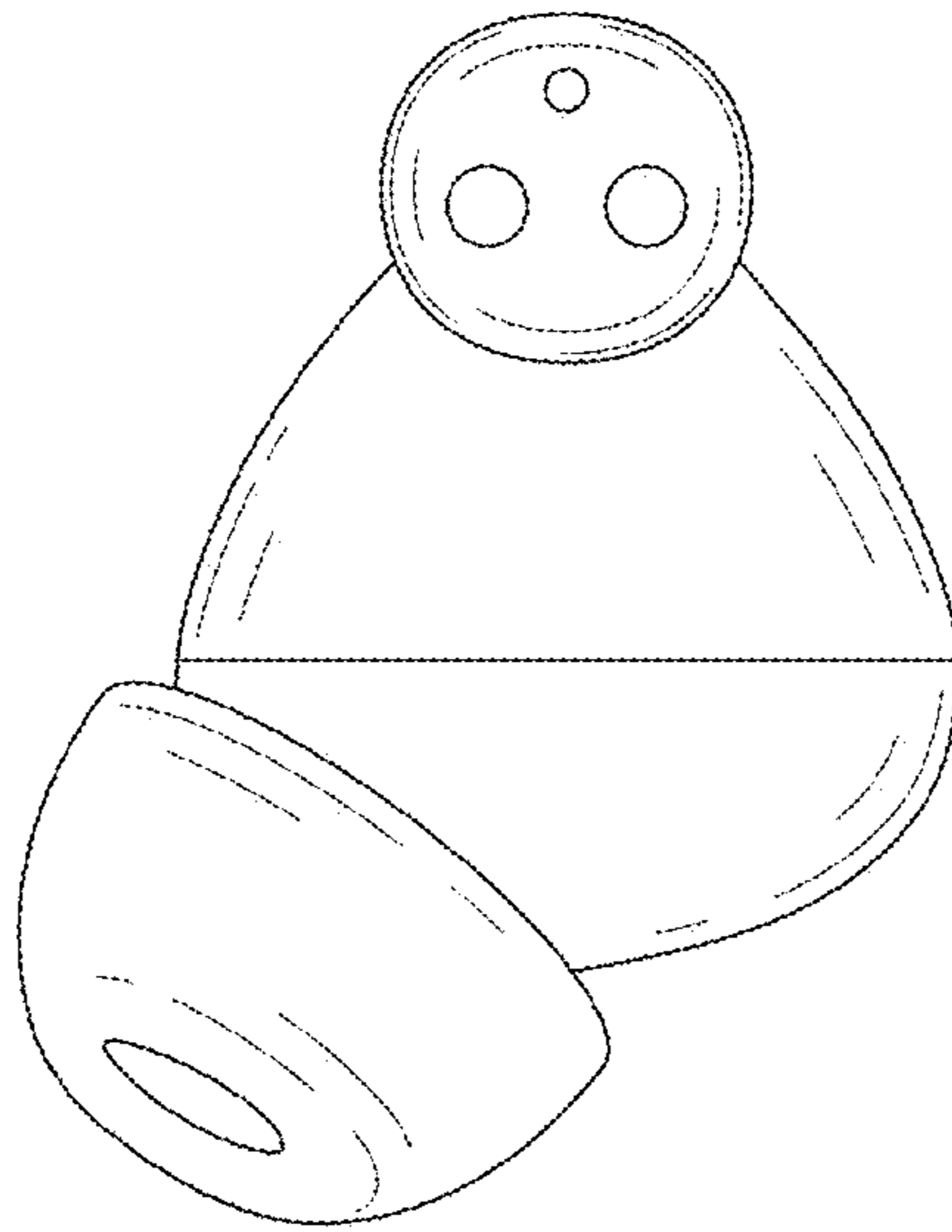


FIG. 24

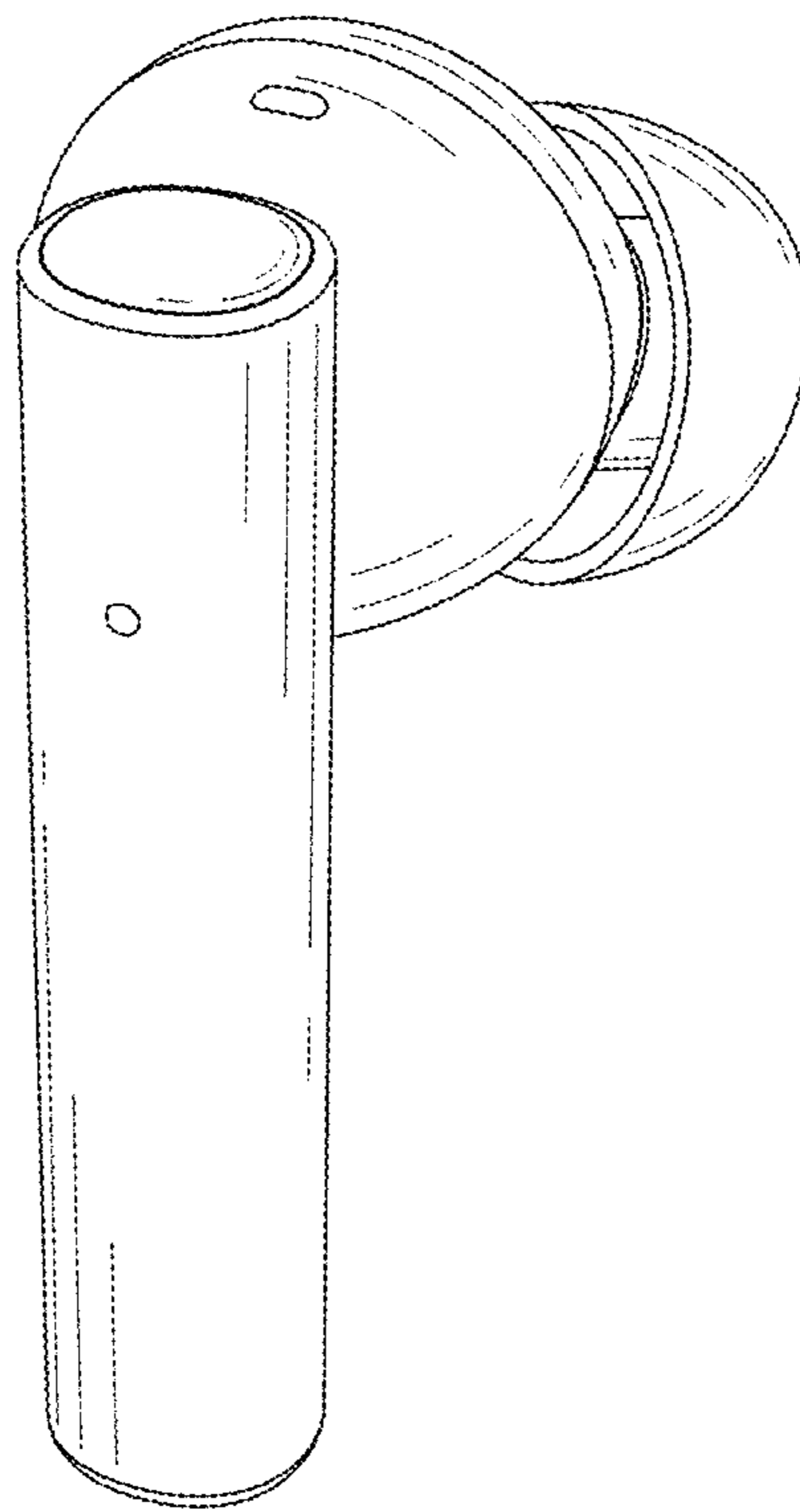


FIG. 25

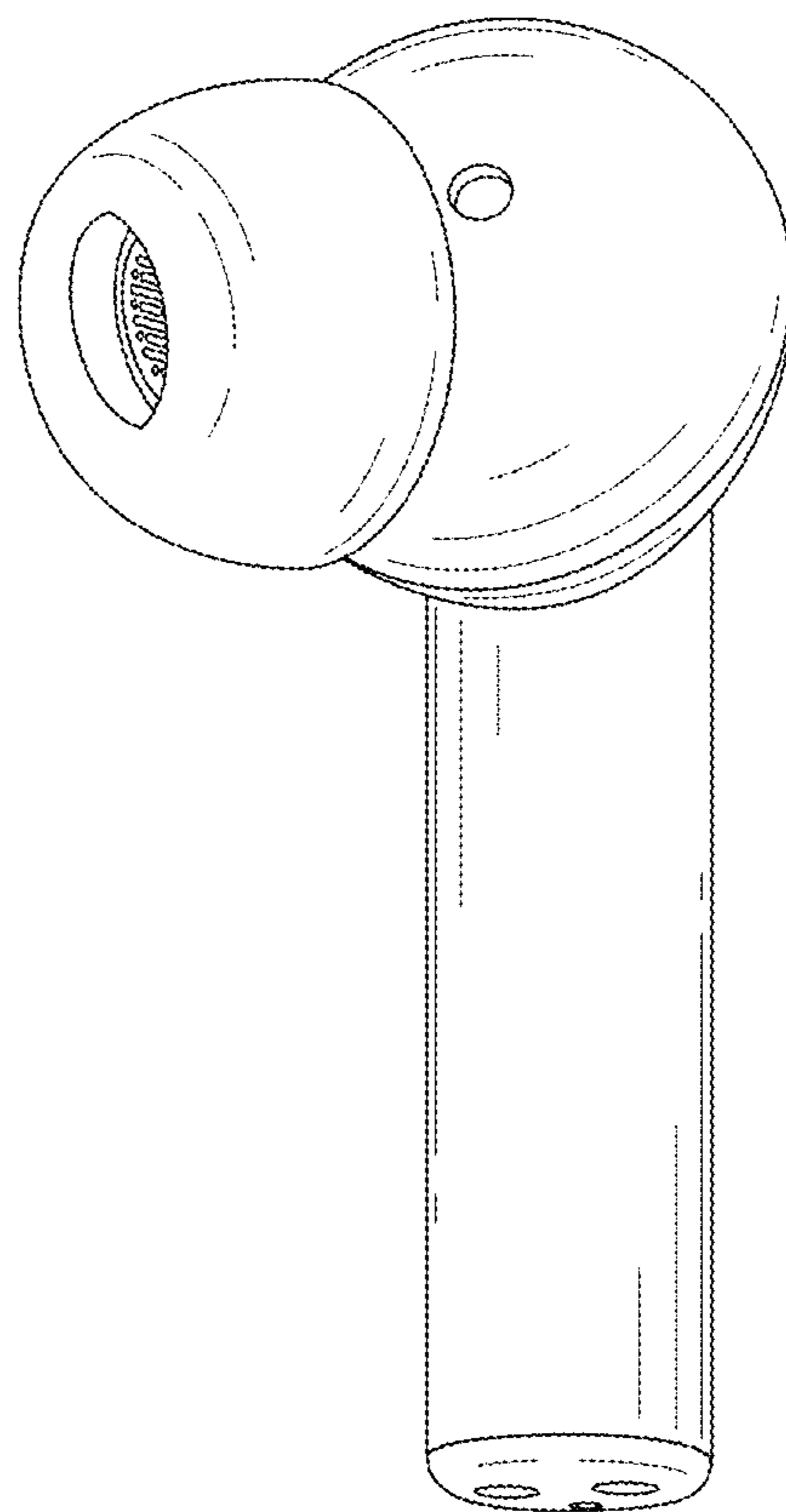


FIG. 26

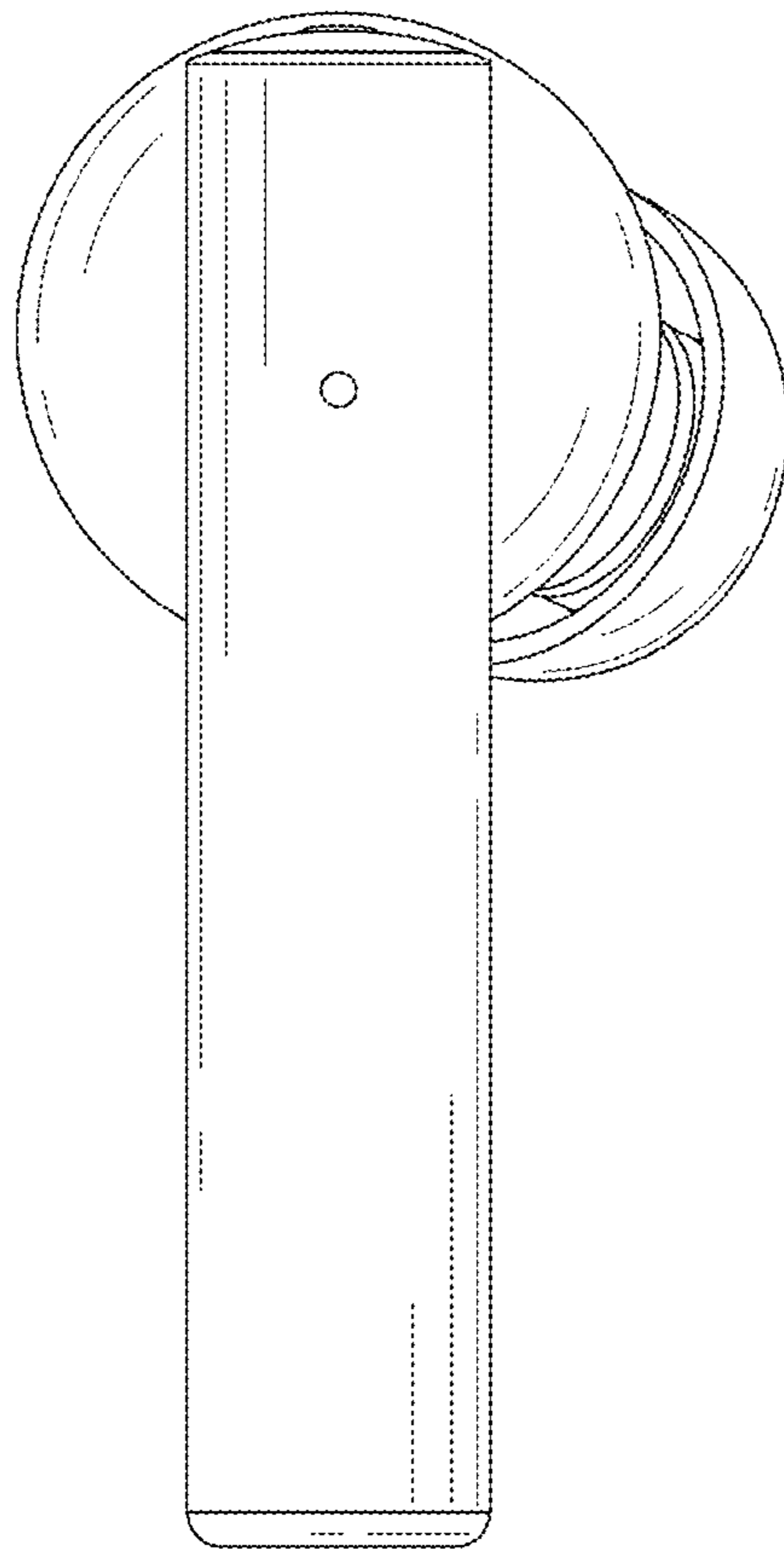


FIG. 27

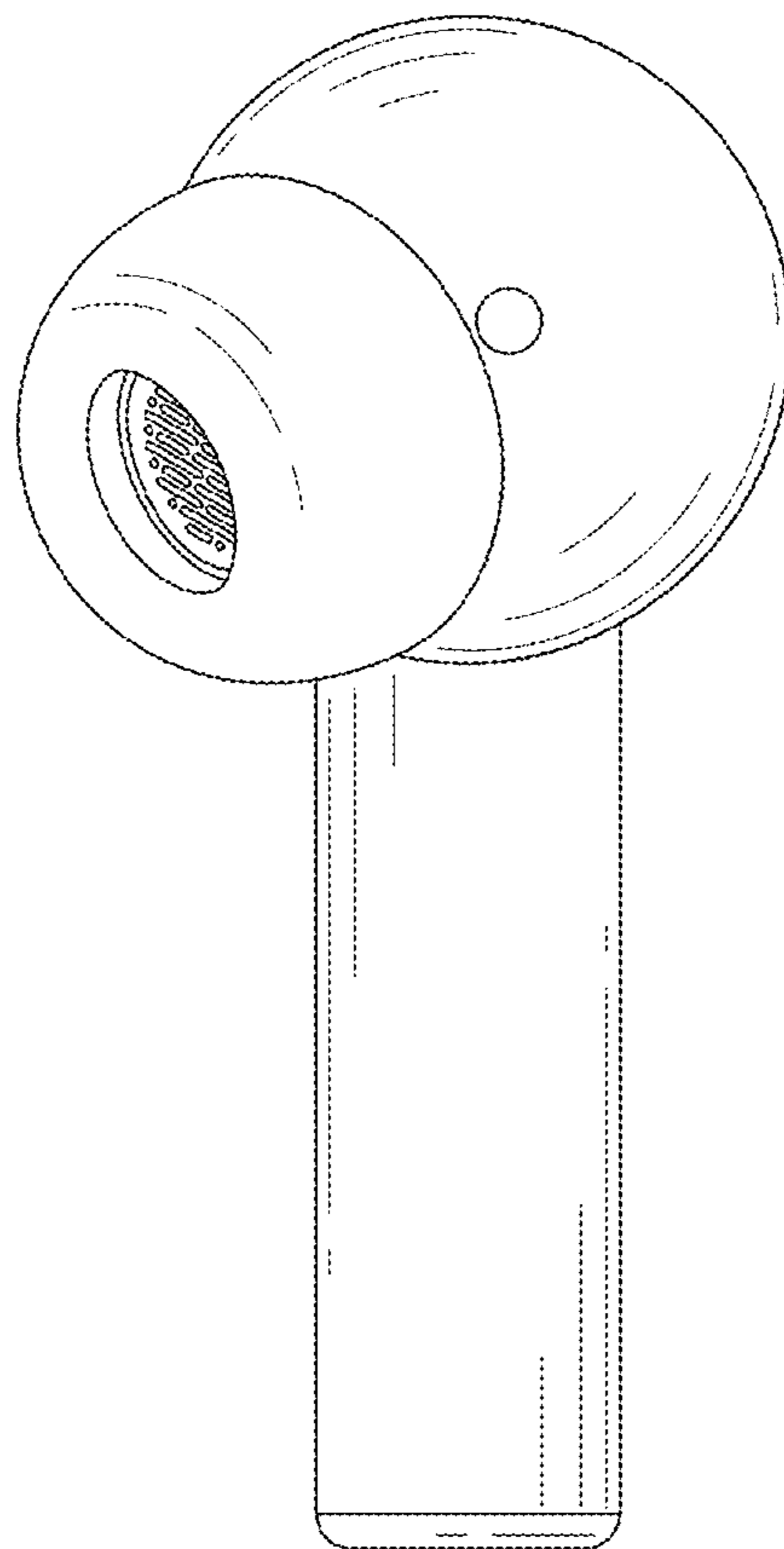


FIG. 28

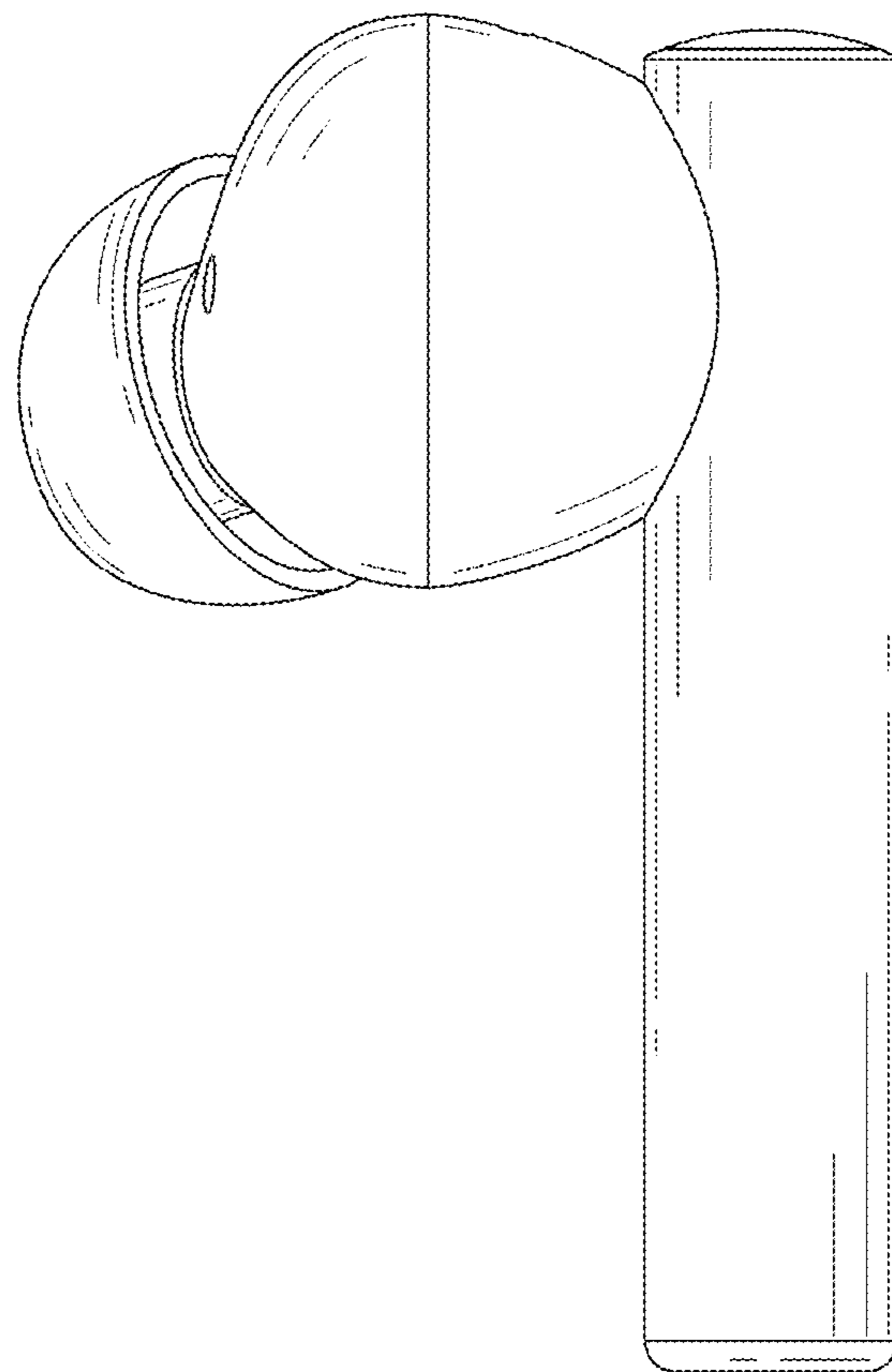


FIG. 29

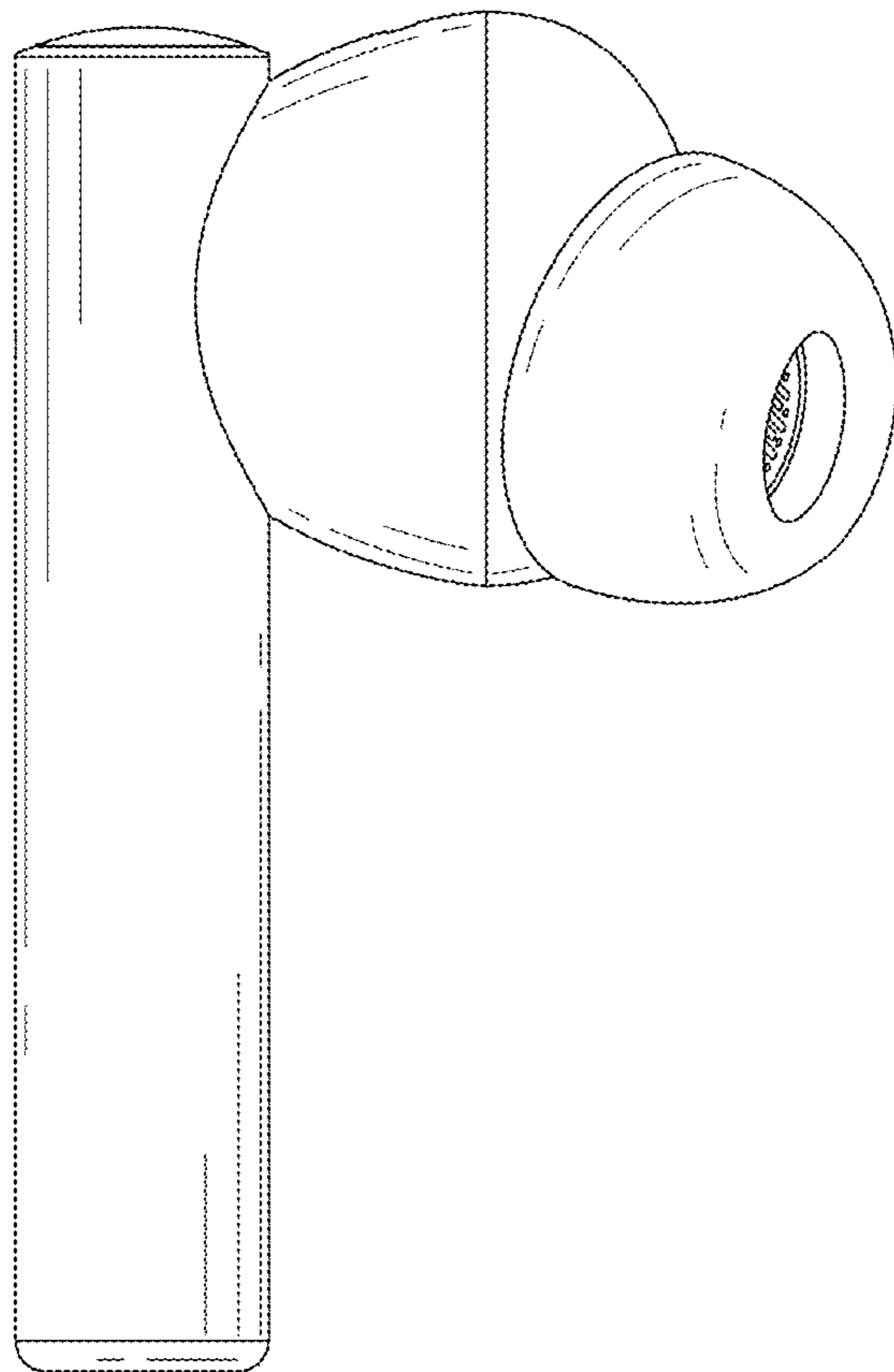


FIG. 30

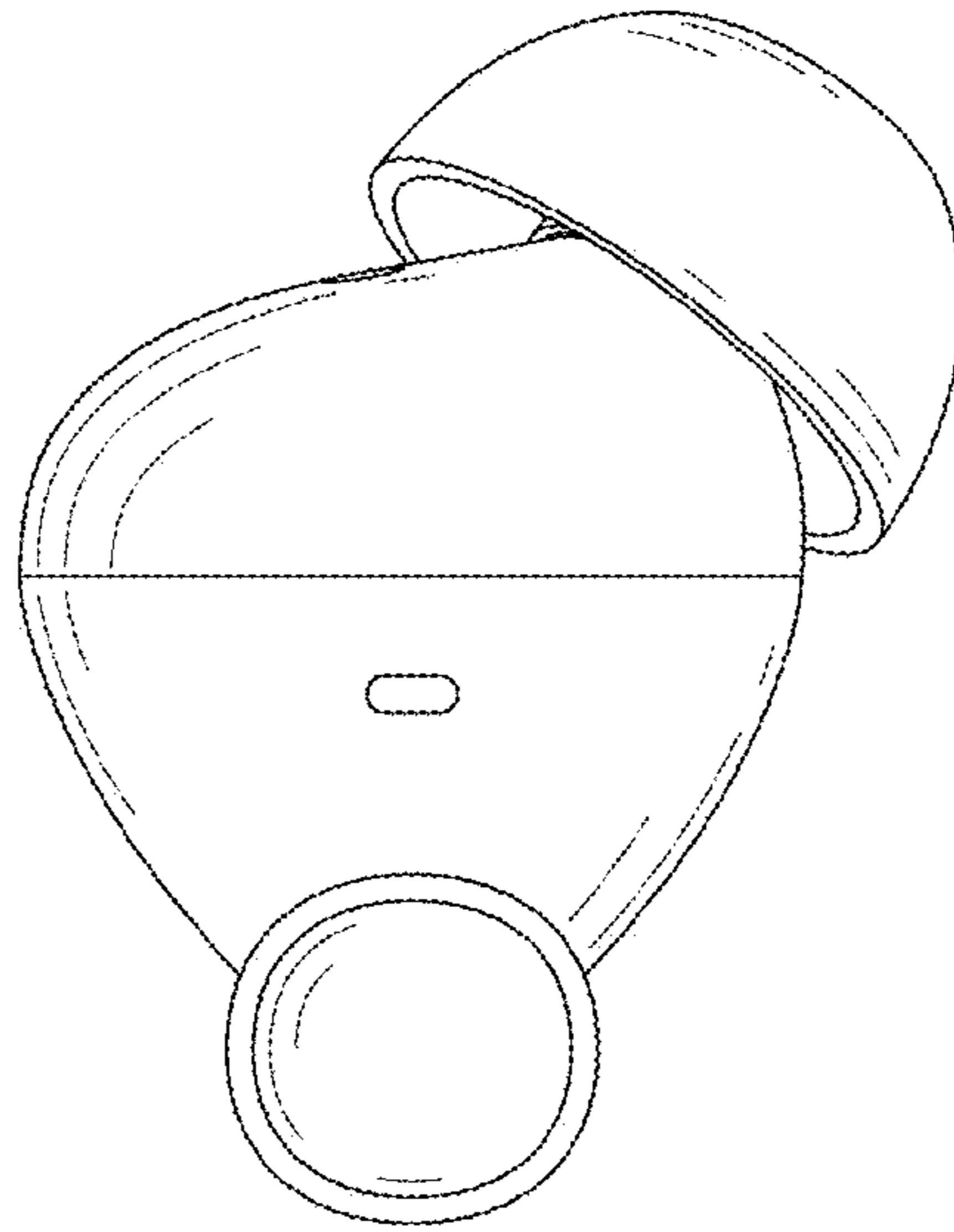


FIG. 31

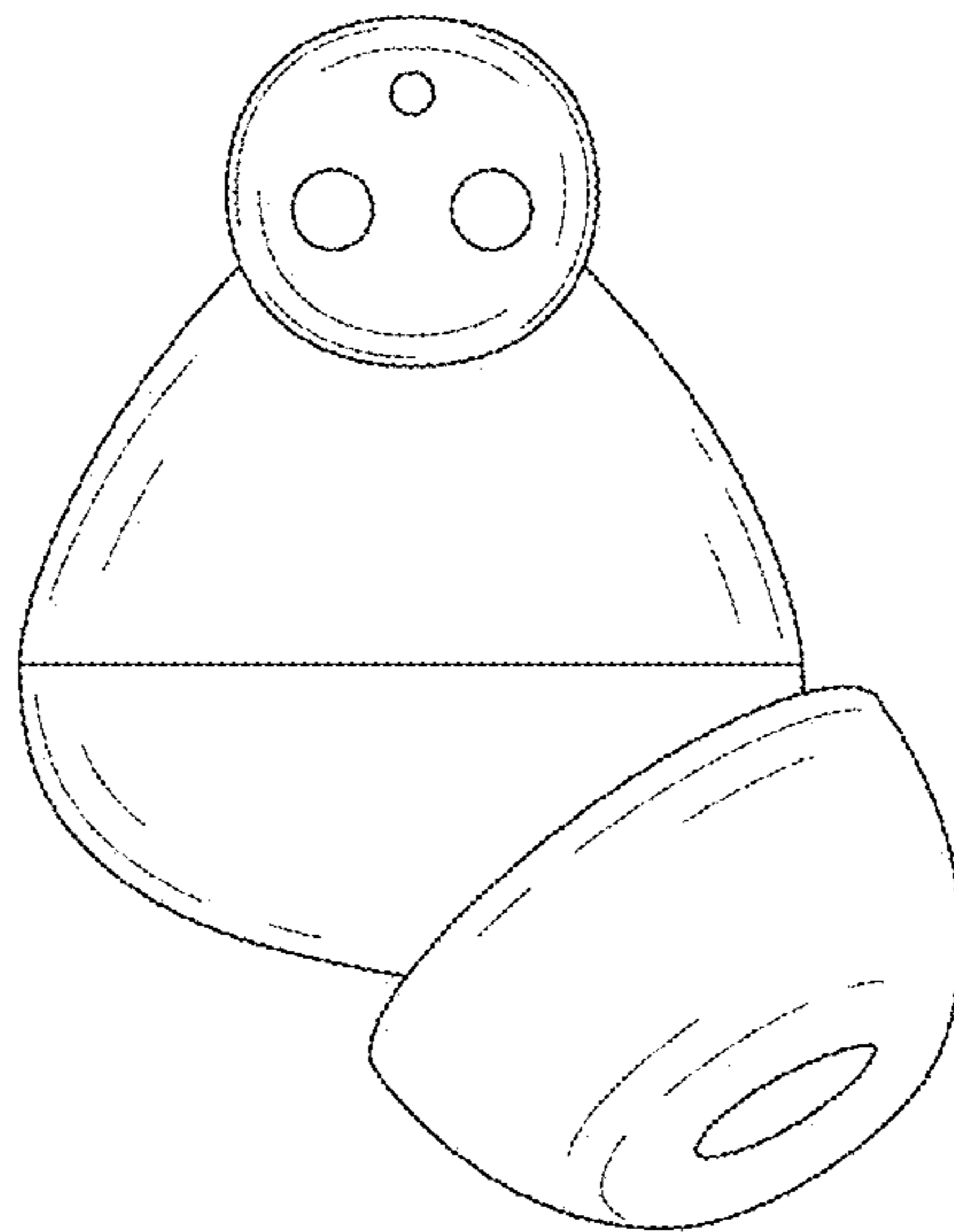


FIG. 32