



US00D958116S

(12) **United States Design Patent**
Yao

(10) **Patent No.:** **US D958,116 S**

(45) **Date of Patent:** **** Jul. 19, 2022**

(54) **EARBUD**

(71) Applicant: **Aukey Technology Co., Ltd**, Shenzhen (CN)

(72) Inventor: **Meiquan Yao**, Shenzhen (CN)

(73) Assignee: **Aukey Technology Co., Ltd.**, Shenzhen (CN)

(**) Term: **15 Years**

(21) Appl. No.: **29/767,373**

(22) Filed: **Jan. 22, 2021**

(51) **LOC (13) Cl.** **14-01**

(52) **U.S. Cl.**
USPC **D14/223**

(58) **Field of Classification Search**
USPC D14/223, 205; D24/174; 128/864-866;
381/380, 381, 328, 322; 455/90.3, 575.1,
455/569.1

CPC H04R 1/10; H04R 25/00; H04R 25/02;
H04R 1/1066; H04R 1/1016; H04R
5/033; H04R 5/0335; H04R 1/1091

See application file for complete search history.

(56) **References Cited**

U.S. PATENT DOCUMENTS

2,145,449	A *	1/1939	Lockhart	H04R 17/02
					181/126
D208,784	S *	10/1967	Sanzone	D24/174
D231,317	S *	4/1974	Ludwick	D8/312
D299,052	S *	12/1988	Yost	D23/252
D304,971	S *	12/1989	Yost	D23/250
D328,559	S *	8/1992	Wilson	D8/312
D354,914	S *	1/1995	Newman	D9/503
6,731,772	B1 *	5/2004	Byun	H04R 1/12
					181/130
D514,552	S *	2/2006	Lee	D14/223
D572,242	S *	7/2008	Yang	D14/223

D627,338	S *	11/2010	Koss	D14/223
D628,565	S *	12/2010	Wu	D14/223
D633,482	S *	3/2011	Koss	D14/223
D647,888	S *	11/2011	Katsuraku	D14/223
D666,580	S *	9/2012	Lee	D14/223
8,879,768	B2 *	11/2014	Podoloff	H04R 1/1041
					381/372
D719,548	S *	12/2014	Thompson	D14/223
D770,412	S *	11/2016	Son	D14/223
D830,336	S *	10/2018	Cai	D14/205
D830,345	S *	10/2018	Cai	D14/223
D847,125	S *	4/2019	Akana	D14/206
D848,979	S *	5/2019	Kim	D14/223

(Continued)

FOREIGN PATENT DOCUMENTS

CN	306620438	*	6/2021
CN	306620439	*	6/2021

(Continued)

Primary Examiner — Paula Allen Greene

(57) **CLAIM**

The ornamental design for an earbud, as shown and described.

DESCRIPTION

FIG. 1 is a perspective view of an earbud showing my new design;

FIG. 2 is a perspective view viewed from another angle thereof;

FIG. 3 is a front elevation view thereof;

FIG. 4 is a rear elevation view thereof;

FIG. 5 is a left side elevation view thereof;

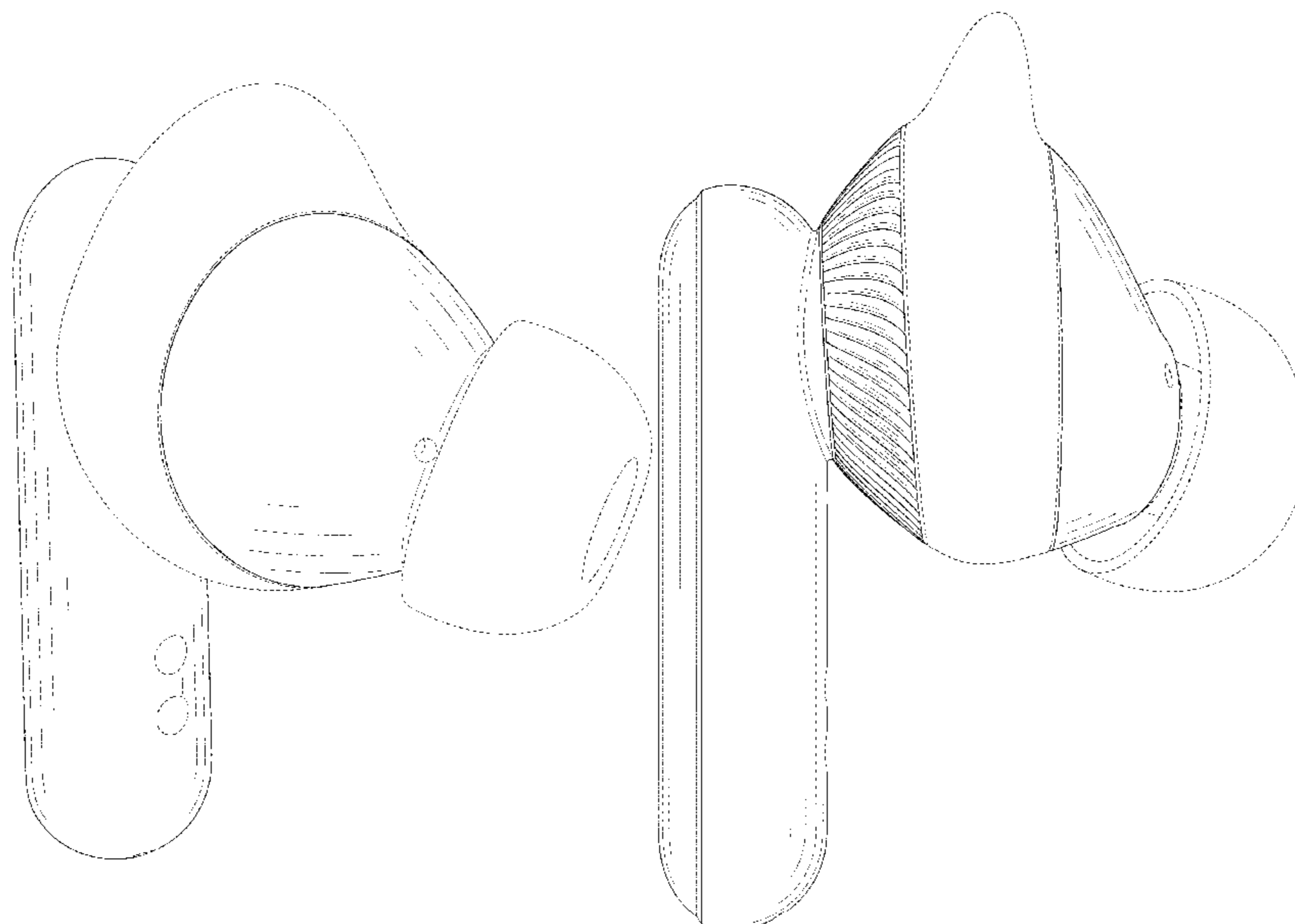
FIG. 6 is a right side elevation view thereof;

FIG. 7 is a top plan view thereof; and,

FIG. 8 is a bottom plan view thereof.

The broken lines depict portions of the earbud in which the design is embodied that form no part of the claimed design.

1 Claim, 8 Drawing Sheets



(56)

References Cited

U.S. PATENT DOCUMENTS

D869,445 S * 12/2019 Hu D14/223
 D872,711 S * 1/2020 Hu D14/223
 D878,336 S * 3/2020 Shiwaku D14/223
 D878,337 S * 3/2020 Yang D14/223
 D880,440 S * 4/2020 Green D14/125
 D883,960 S * 5/2020 Du D14/223
 D885,373 S * 5/2020 LundbäCk D14/223
 D888,690 S * 6/2020 Yan D14/223
 D888,692 S * 6/2020 Cheng D14/206
 D889,437 S * 7/2020 Ando D14/223
 D889,439 S * 7/2020 Hsieh D14/223
 D890,138 S * 7/2020 Peng D14/223
 D893,462 S * 8/2020 Liu D14/223
 D894,875 S * 9/2020 Zhao D14/223
 D895,579 S * 9/2020 Yang D14/223
 D895,582 S * 9/2020 Wu D14/223
 D896,206 S * 9/2020 Xu D14/223
 D896,207 S * 9/2020 He D14/223
 D900,065 S * 10/2020 Distefano D14/223
 D902,181 S * 11/2020 Maeda D14/223
 D902,182 S * 11/2020 Wang D14/223
 D903,639 S * 12/2020 Yang D14/223
 D904,347 S * 12/2020 Yamamoto D14/223
 D904,351 S * 12/2020 Zhang D14/223
 D905,019 S * 12/2020 Liu D14/223

D905,020 S * 12/2020 Du D14/223
 D905,664 S * 12/2020 He D14/223
 D906,297 S * 12/2020 Akana D14/223
 D907,008 S * 1/2021 Yao D14/223
 D907,010 S * 1/2021 Akana D14/223
 D907,606 S * 1/2021 Lin D14/223
 D908,114 S * 1/2021 Jung D14/223
 D918,182 S * 5/2021 Chen D14/223
 D922,985 S * 6/2021 Kataoka D14/223
 D928,126 S * 8/2021 Chen D14/223
 D929,967 S * 9/2021 Kim D14/223
 D930,620 S * 9/2021 Lindenberger D14/223
 D934,839 S * 11/2021 Zhong D14/223
 D937,246 S * 11/2021 Li D14/223
 D942,424 S * 2/2022 Ye D14/223
 2007/0053541 A1 * 3/2007 Kuo H04R 1/10
 381/374
 2016/0014498 A1 * 1/2016 Paschel H04R 1/1016
 381/380
 2018/0167713 A1 * 6/2018 Chou H04R 25/652

FOREIGN PATENT DOCUMENTS

EM 007290614-0004 * 11/2019
 GB 9007290614-0006 * 11/2019
 GB 6192026 * 2/2022

* cited by examiner

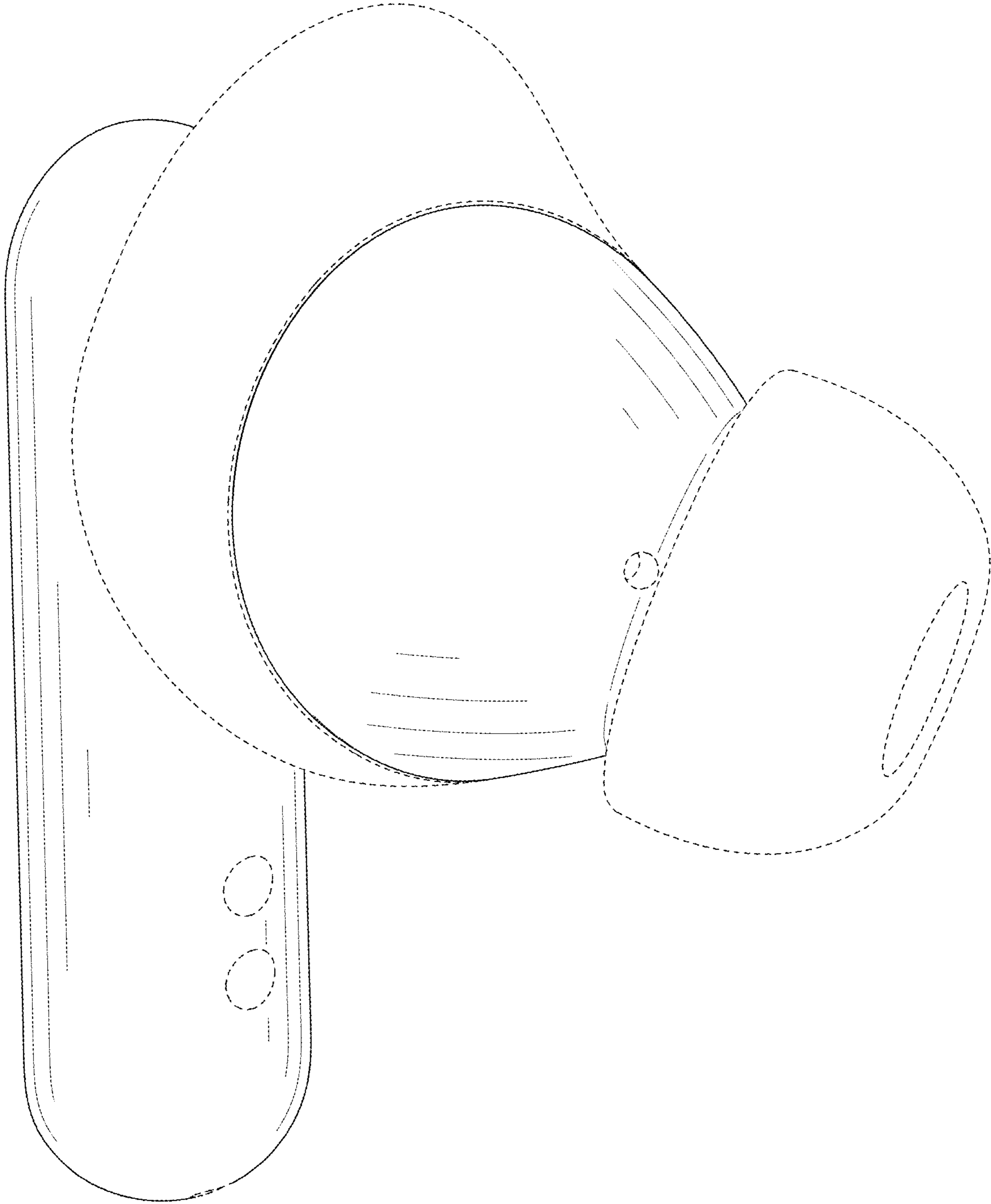


FIG. 1

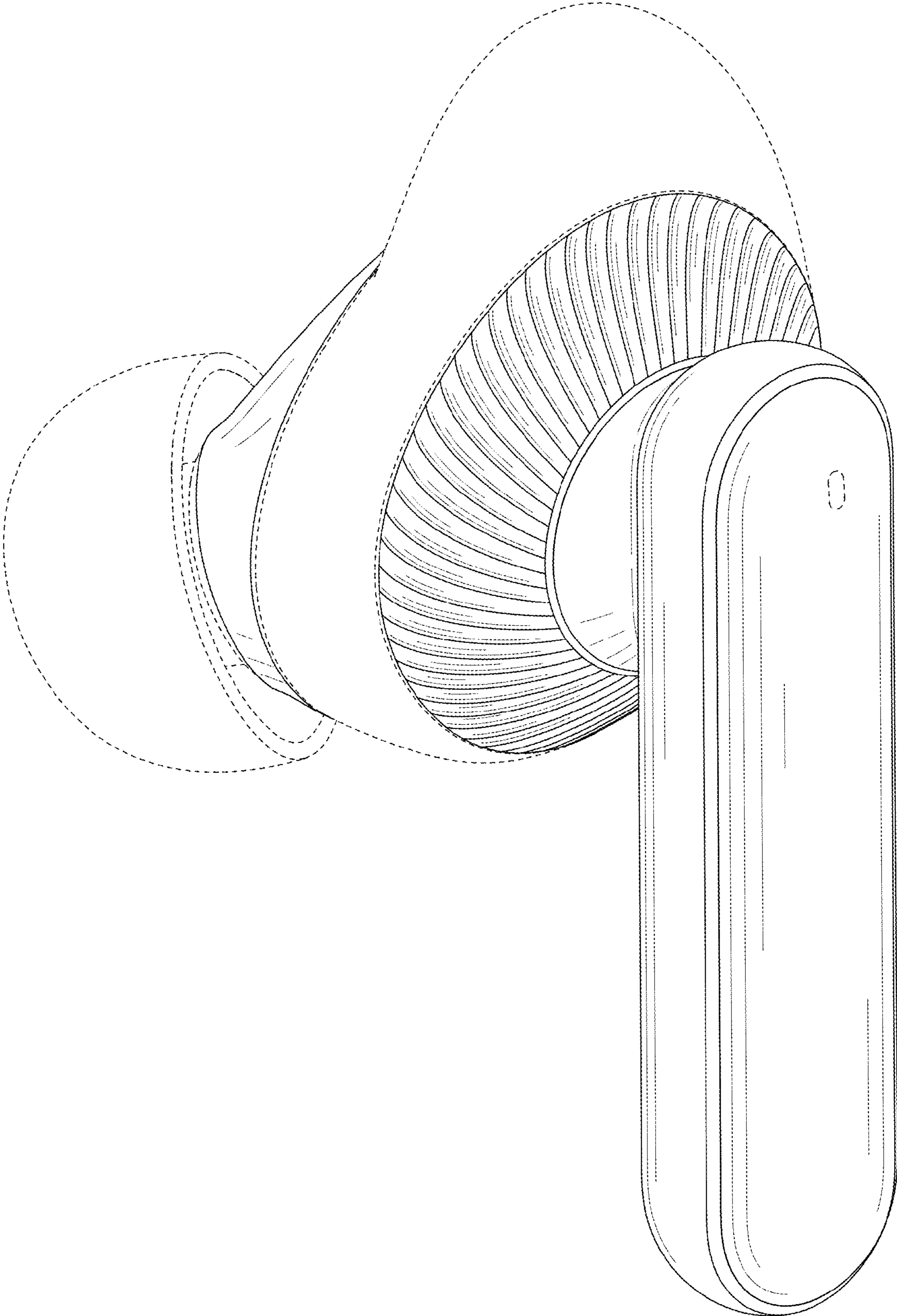


FIG. 2

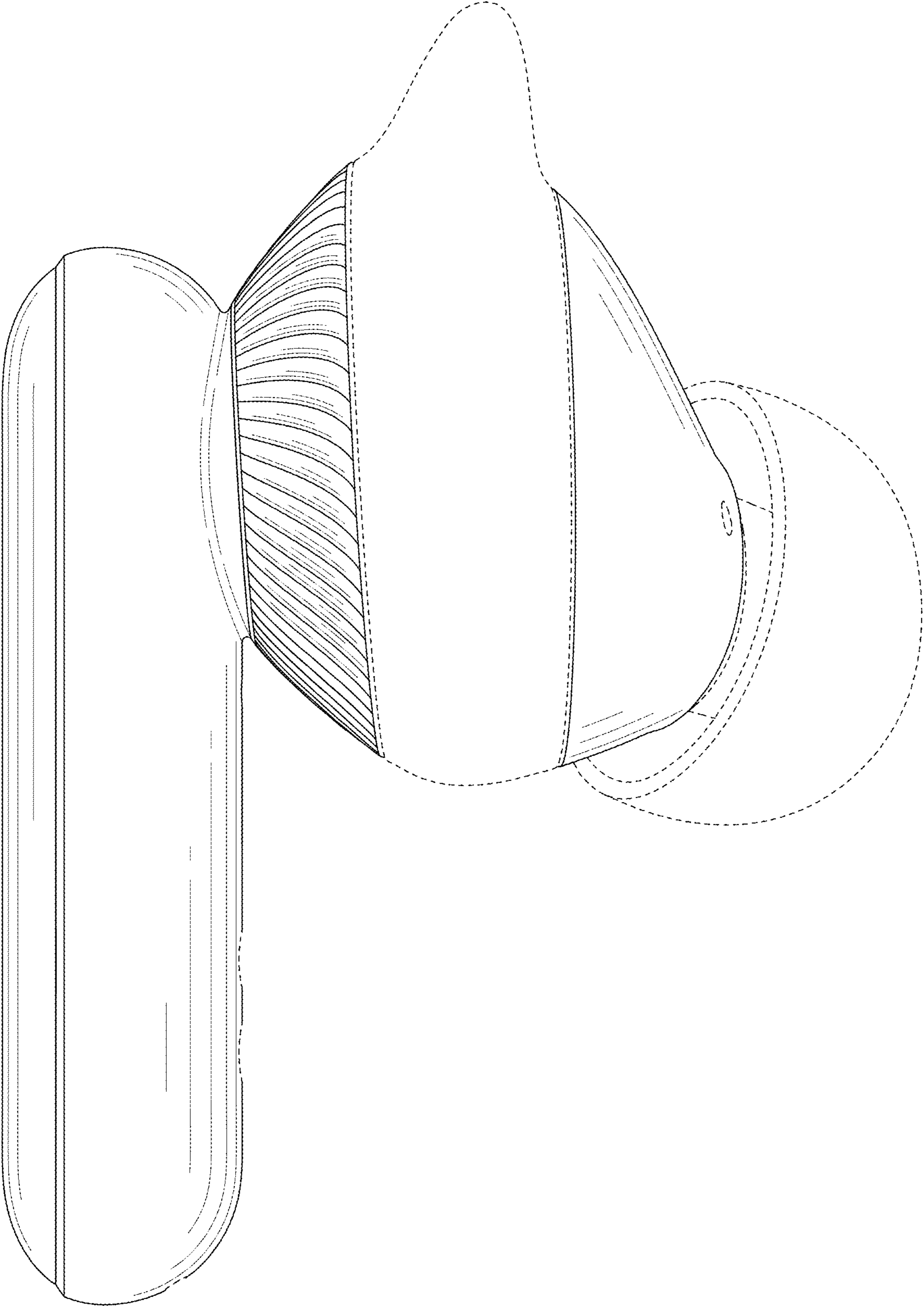


FIG. 3

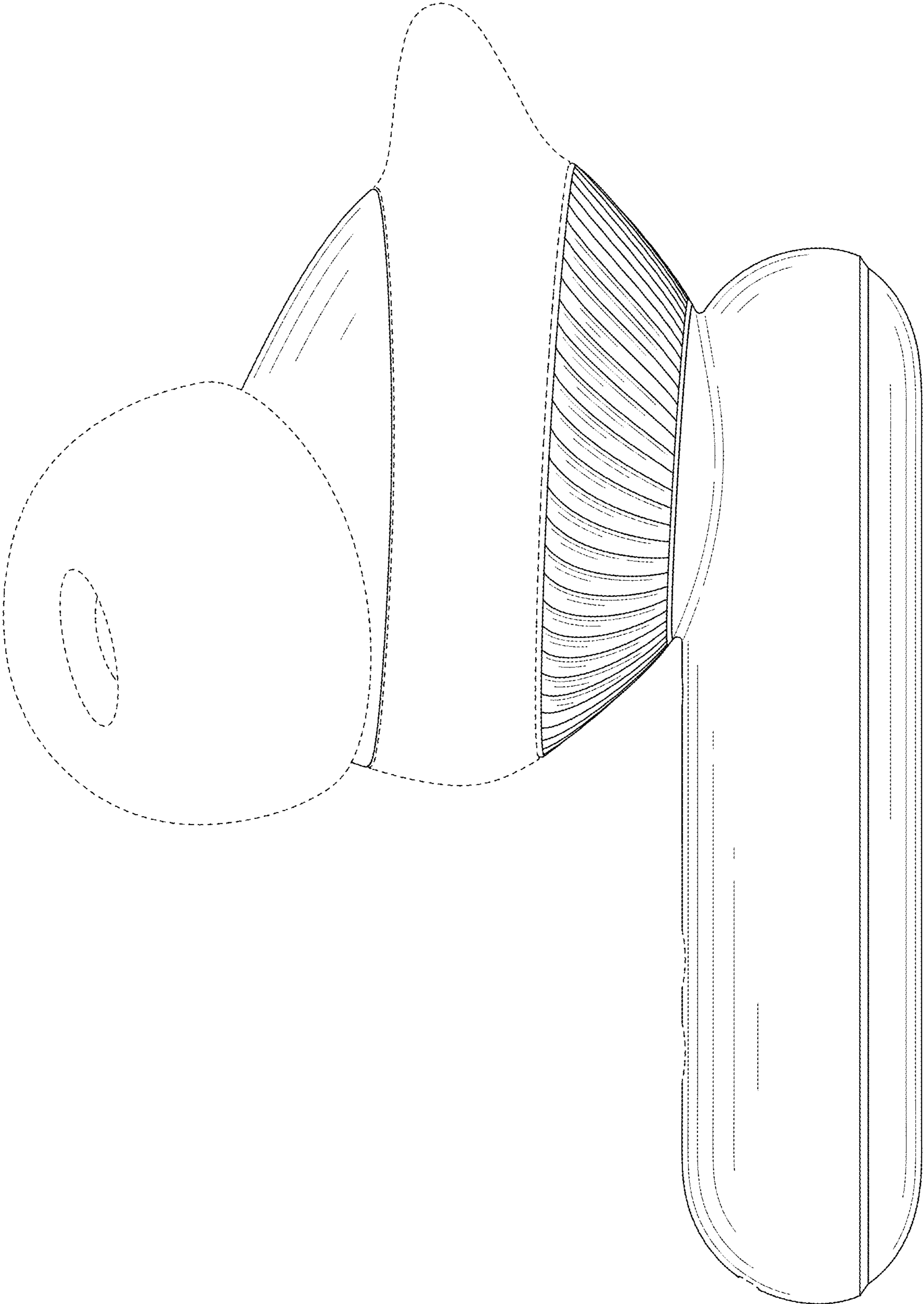


FIG. 4

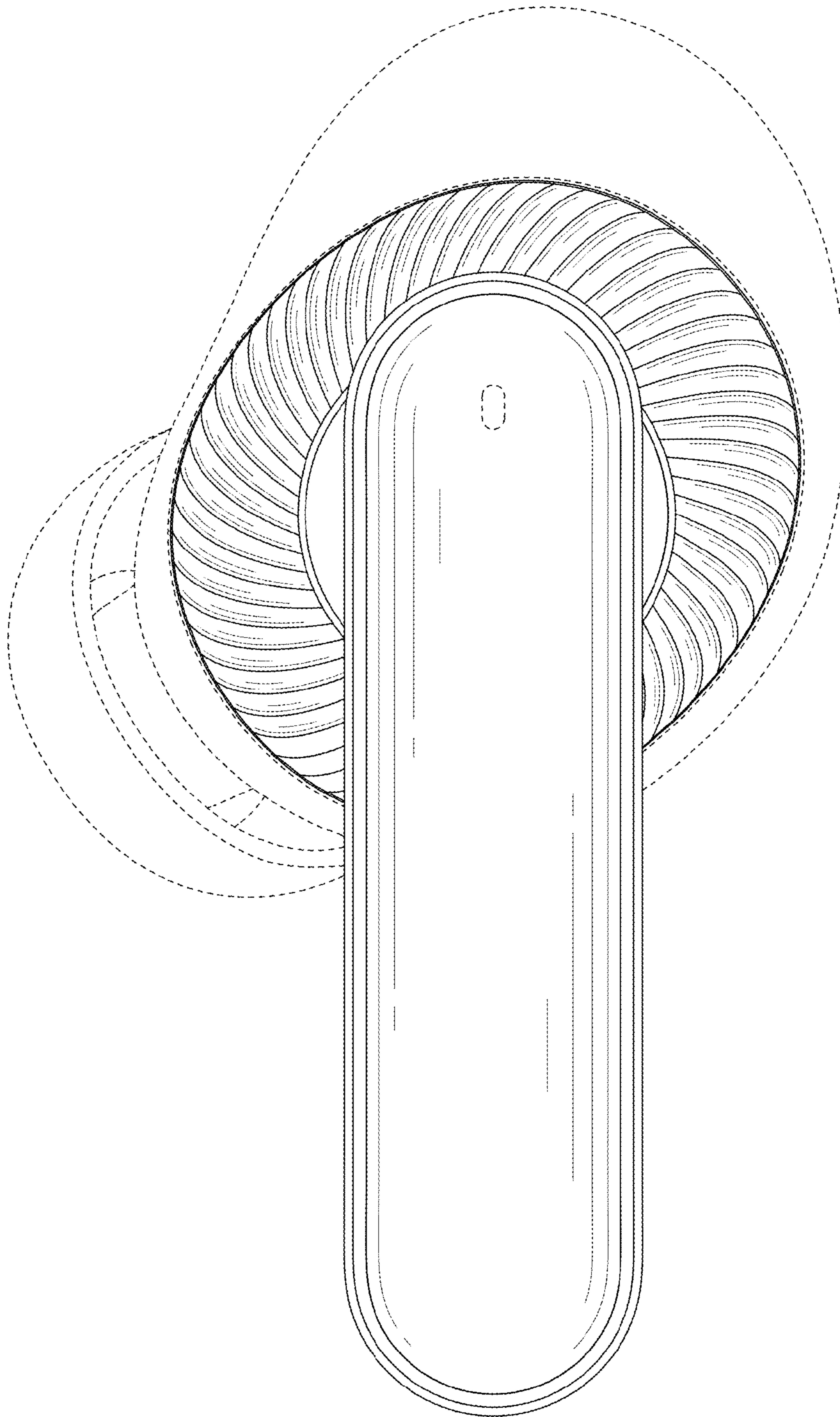


FIG. 5

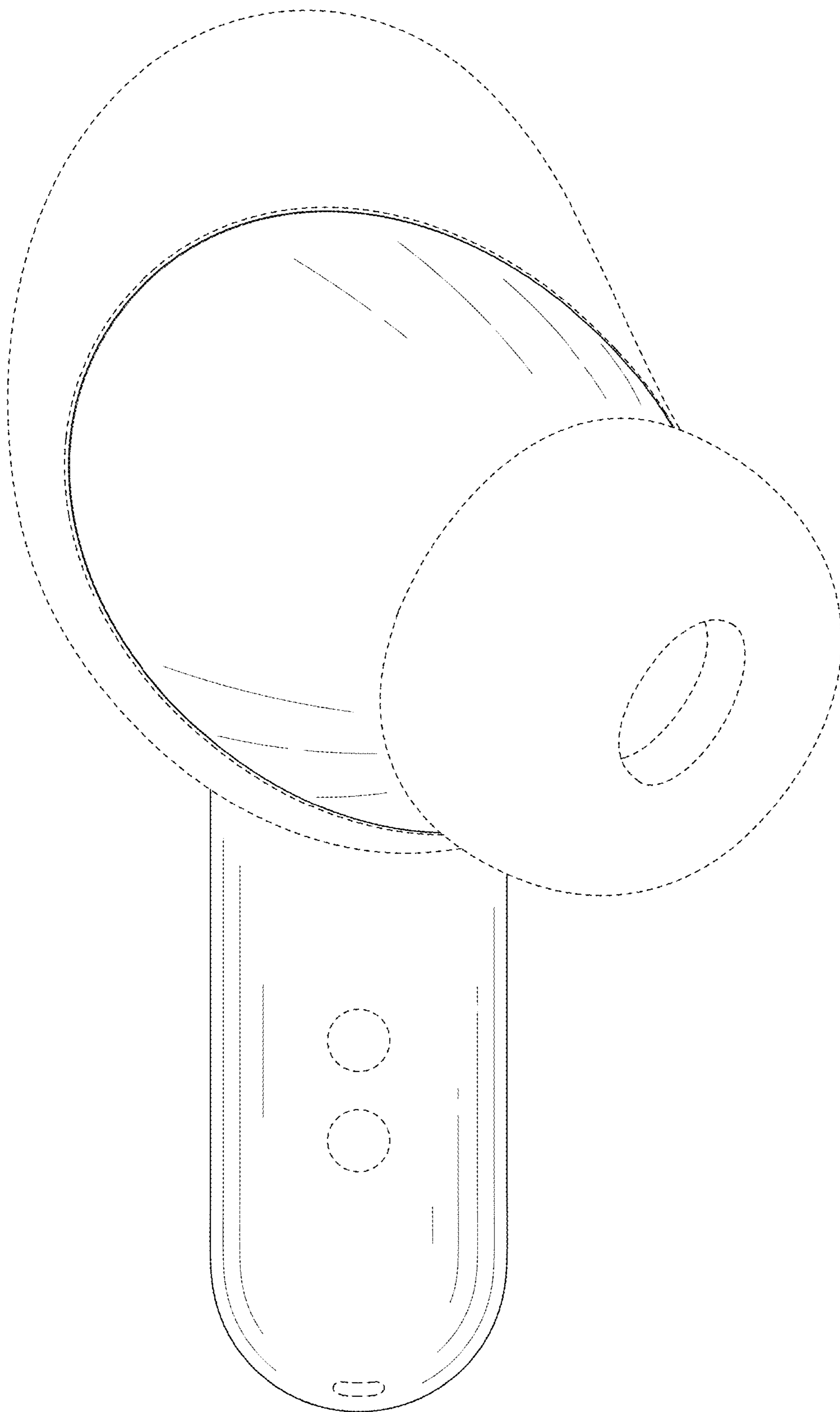


FIG. 6

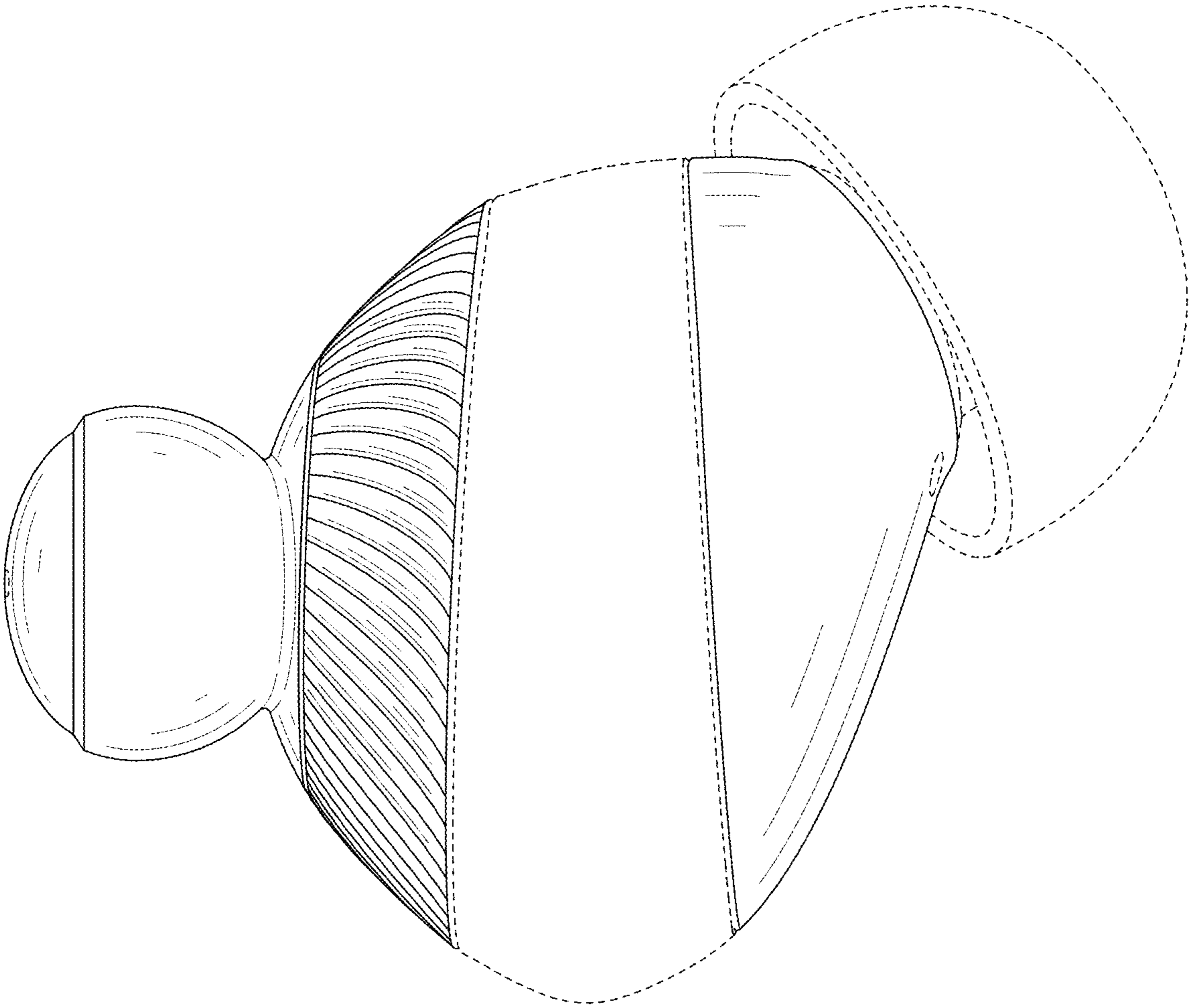


FIG. 7

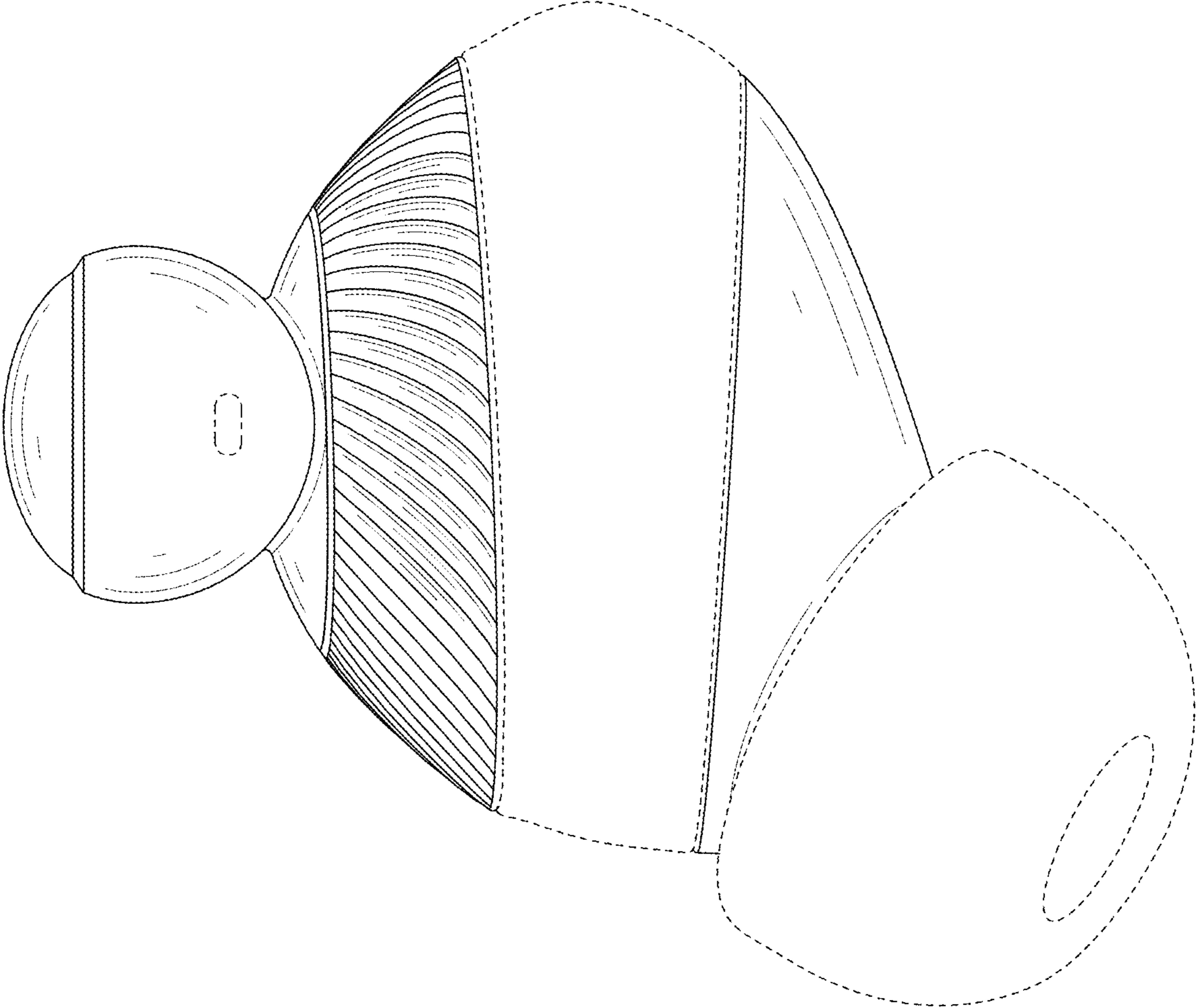


FIG. 8