



US00D958115S

(12) **United States Design Patent**  
**Yao**

(10) **Patent No.:** **US D958,115 S**  
(45) **Date of Patent:** **\*\* Jul. 19, 2022**

(54) **EARBUD**  
(71) Applicant: **Aukey Technology Co., Ltd**, Shenzhen (CN)  
(72) Inventor: **Meiquan Yao**, Shenzhen (CN)  
(73) Assignee: **Aukey Technology Co., Ltd**, Shenzhen (CN)  
(\*\*) Term: **15 Years**  
(21) Appl. No.: **29/767,371**

D532,520 S \* 11/2006 Kampmeier ..... D24/174  
D550,657 S \* 9/2007 Gan ..... D14/223  
D559,837 S \* 1/2008 Nakano ..... D14/223  
D568,290 S \* 5/2008 Wikel ..... D14/205  
D579,006 S \* 10/2008 Kim ..... D14/223  
D600,675 S \* 9/2009 Lee ..... D14/205  
D603,380 S \* 11/2009 Hutchieson ..... D14/223  
D627,338 S \* 11/2010 Koss ..... D14/223  
D628,565 S \* 12/2010 Wu ..... D14/223  
D633,482 S \* 3/2011 Koss ..... D14/223  
D641,010 S \* 7/2011 Kwon ..... D14/223  
D647,888 S \* 11/2011 Katsuraku ..... D14/223  
D654,056 S \* 2/2012 Hoggarth ..... D14/223  
D666,580 S \* 9/2012 Lee ..... D14/223  
D666,581 S \* 9/2012 Perez ..... D14/223

(Continued)

(22) Filed: **Jan. 22, 2021**  
(51) **LOC (13) Cl.** ..... **14-01**  
(52) **U.S. Cl.**  
USPC ..... **D14/223**  
(58) **Field of Classification Search**  
USPC ..... D14/223, 205; D24/174; 128/864-866;  
381/380, 381, 322, 328; 455/90.3, 575.1,  
455/569.1; D8/311-312; D23/250  
CPC ..... H04R 1/10; H04R 25/00; H04R 25/02;  
H04R 1/1066; H04R 1/1016; H04R  
5/033; H04R 5/0335; H04R 1/1091  
See application file for complete search history.

**FOREIGN PATENT DOCUMENTS**

EM 007290614-0004 \* 11/2019  
GB 9007290614-0006 \* 11/2019

*Primary Examiner* — Paula Allen Greene

(57) **CLAIM**

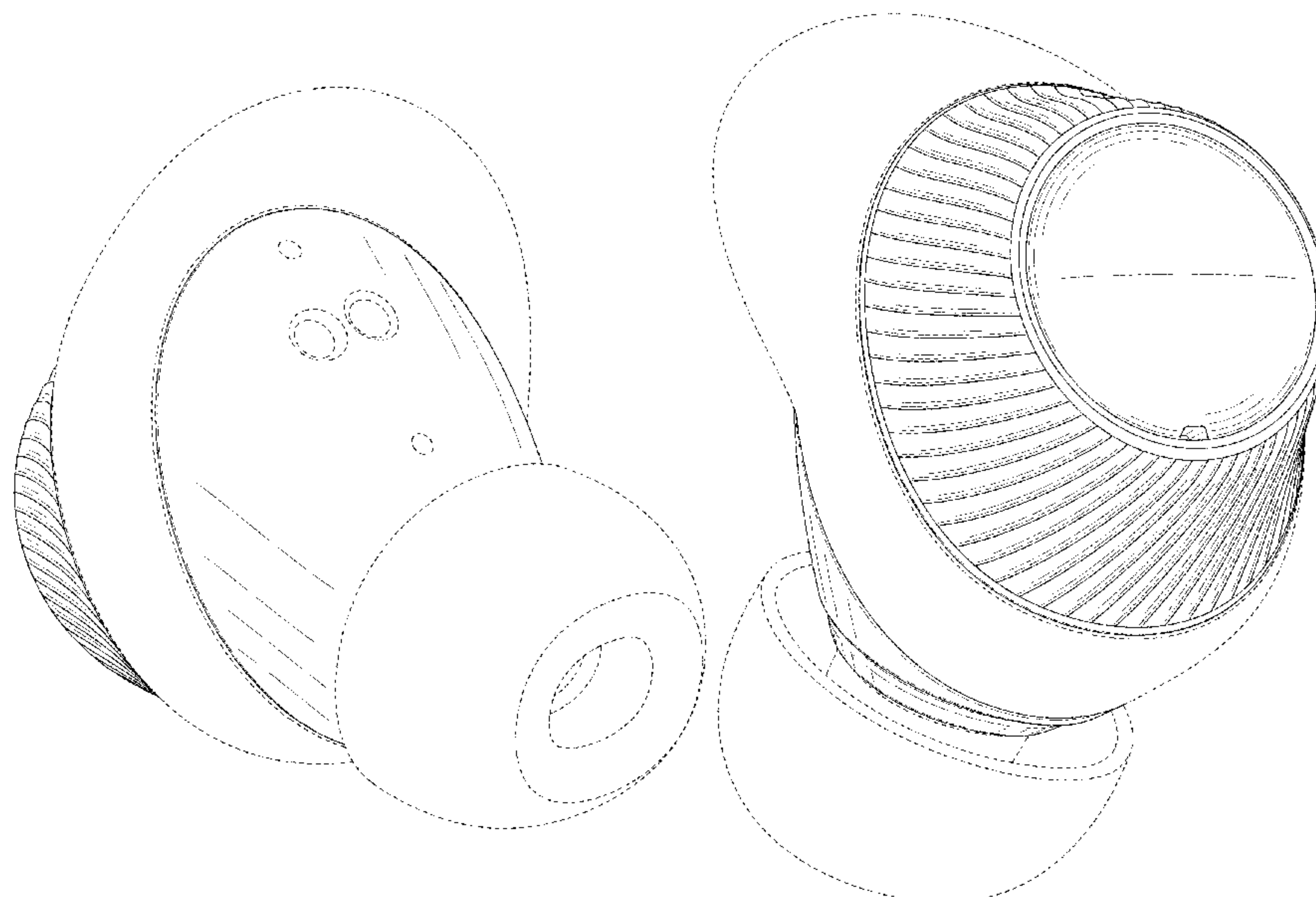
The ornamental design for an earbud, as shown and described.

**DESCRIPTION**

FIG. 1 is a perspective view of an earbud showing my new design;  
FIG. 2 is a perspective view viewed from another angle thereof;  
FIG. 3 is a front elevation view thereof;  
FIG. 4 is a rear elevation view thereof;  
FIG. 5 is a left side elevation view thereof;  
FIG. 6 is a right side elevation view thereof;  
FIG. 7 is a top plan view thereof; and,  
FIG. 8 is a bottom plan view thereof.  
The broken lines depict portions of the earbud in which the design is embodied that form no part of the claimed design.

**1 Claim, 8 Drawing Sheets**

(56) **References Cited**  
U.S. PATENT DOCUMENTS  
2,145,449 A \* 1/1939 Lockhart ..... H04R 17/02  
181/126  
2,444,485 A \* 7/1948 Aitcheson ..... G05G 1/10  
74/553  
D208,784 S \* 10/1967 Sanzone ..... D24/174  
D231,317 S \* 4/1974 Ludwich ..... D8/312  
D299,052 S \* 12/1988 Yost ..... D23/252  
D304,971 S \* 12/1989 Yost ..... D23/250  
D354,914 S \* 1/1995 Newman ..... D9/503  
6,731,772 B1 \* 5/2004 Byun ..... H04R 1/12  
181/130  
D505,411 S \* 5/2005 Sakai ..... D14/205



(56)

References Cited

U.S. PATENT DOCUMENTS

D669,226 S \* 10/2012 Byron ..... D29/105  
 D697,058 S \* 1/2014 Thompson ..... D14/223  
 D698,026 S \* 1/2014 Kuwata ..... D24/174  
 D700,905 S \* 3/2014 Pavitsich ..... D14/223  
 D705,757 S \* 5/2014 Yashiro ..... H04R 1/10  
 D711,356 S \* 8/2014 Yang ..... D14/223  
 D719,139 S \* 12/2014 Henry ..... D14/223  
 D719,548 S \* 12/2014 Thompson ..... D14/223  
 D725,082 S \* 3/2015 Palmborg ..... D14/223  
 D728,107 S \* 4/2015 Torres Martin ..... D24/174  
 D733,102 S \* 6/2015 Palmborg ..... D14/223  
 D733,103 S \* 6/2015 Jeong ..... D14/224  
 D735,169 S \* 7/2015 Shieh ..... D14/223  
 D746,792 S \* 1/2016 Kim ..... D14/223  
 D764,445 S \* 8/2016 Czaniecki ..... D14/223  
 D777,710 S \* 1/2017 Palmborg ..... D14/223  
 D781,269 S \* 3/2017 Choe ..... D14/223  
 D782,997 S \* 4/2017 Shin ..... D14/205  
 D782,998 S \* 4/2017 Shin ..... D14/205  
 D788,079 S \* 5/2017 Son ..... D14/223  
 D795,225 S \* 8/2017 Sumii ..... D14/223  
 D800,097 S \* 10/2017 Chen ..... D14/223  
 D806,685 S \* 1/2018 Park ..... D14/223  
 D806,879 S \* 1/2018 Horbinski ..... D24/174  
 D812,042 S \* 3/2018 Xiao ..... D14/223  
 D813,205 S \* 3/2018 Palmborg ..... D14/223  
 D813,848 S \* 3/2018 Palmborg ..... D14/223

D814,443 S \* 4/2018 Sandanger ..... H04R 1/1083  
 D817,309 S \* 5/2018 Czaniecki ..... D14/223  
 D836,614 S \* 12/2018 Kirkpatrick ..... D14/223  
 D841,626 S \* 2/2019 Tang ..... D14/223  
 D841,627 S \* 2/2019 Wen ..... D14/223  
 D843,354 S \* 3/2019 Kumano ..... D14/223  
 D845,932 S \* 4/2019 Lu ..... D14/223  
 D850,419 S \* 6/2019 Shin ..... D14/223  
 D851,072 S \* 6/2019 McNamara ..... D14/223  
 D852,782 S \* 7/2019 Bergman ..... D14/223  
 D863,263 S \* 10/2019 Yu ..... D14/223  
 D864,167 S \* 10/2019 Wu ..... D14/223  
 D868,752 S \* 12/2019 Zhu ..... D14/223  
 D871,376 S \* 12/2019 Zhou ..... D14/223  
 D872,064 S \* 1/2020 Cai ..... D14/223  
 D873,248 S \* 1/2020 Weicheng ..... D14/223  
 D873,805 S \* 1/2020 Yang ..... D14/223  
 D879,074 S \* 3/2020 Komiya ..... D14/223  
 D880,457 S \* 4/2020 Zhu ..... D14/223  
 D902,182 S \* 11/2020 Wang ..... D14/223  
 D928,122 S \* 8/2021 Yoshida ..... D14/223  
 2014/0083237 A1 \* 3/2014 Kim ..... B60H 1/00857  
 74/501.6  
 2015/0237436 A1 \* 8/2015 Wang ..... H04R 1/28  
 381/380  
 2016/0072558 A1 \* 3/2016 Hirsch ..... H04B 5/0081  
 455/41.1  
 2018/0035193 A1 \* 2/2018 Tsubone ..... H04R 1/24

\* cited by examiner

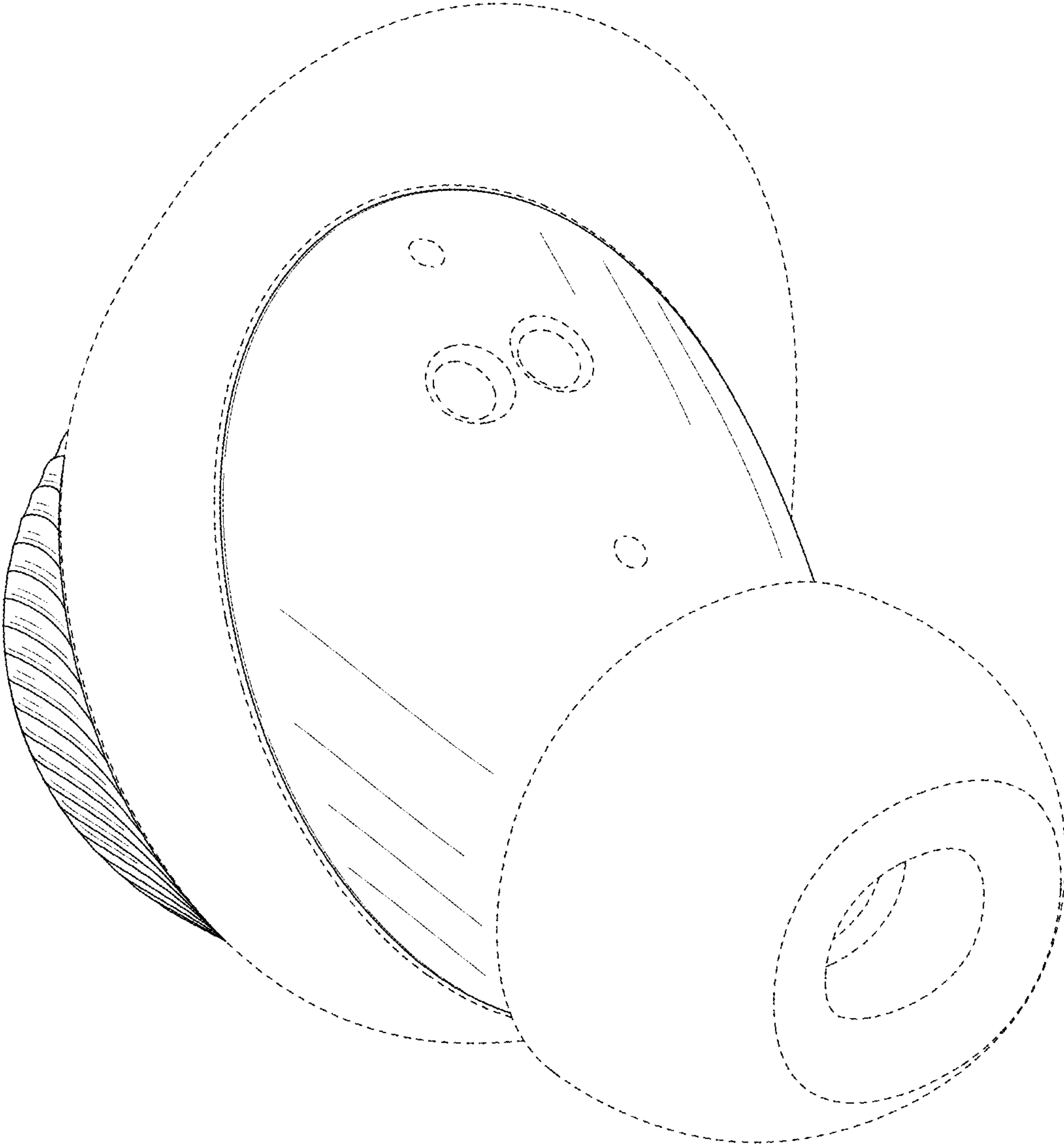


FIG. 1



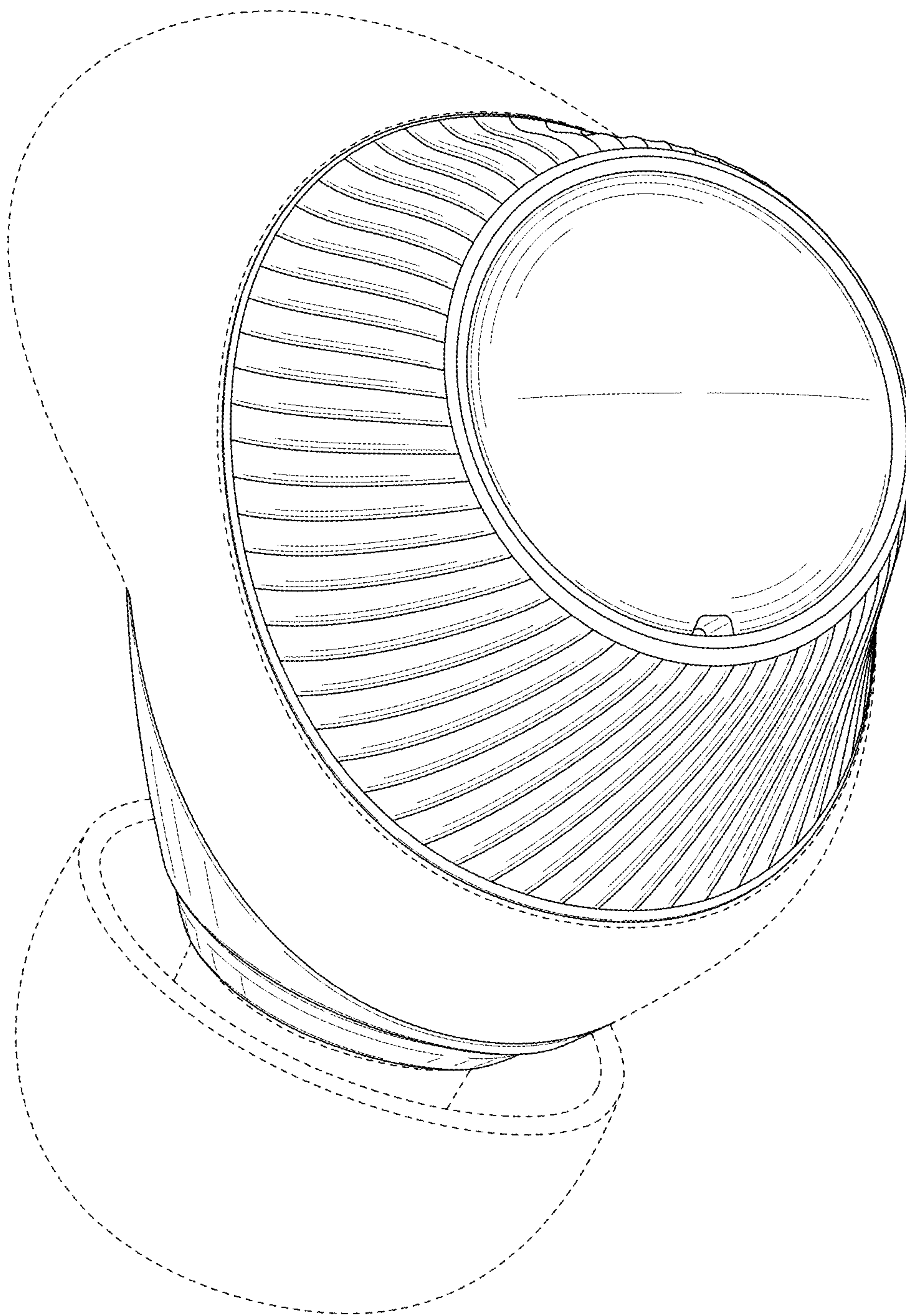


FIG. 2

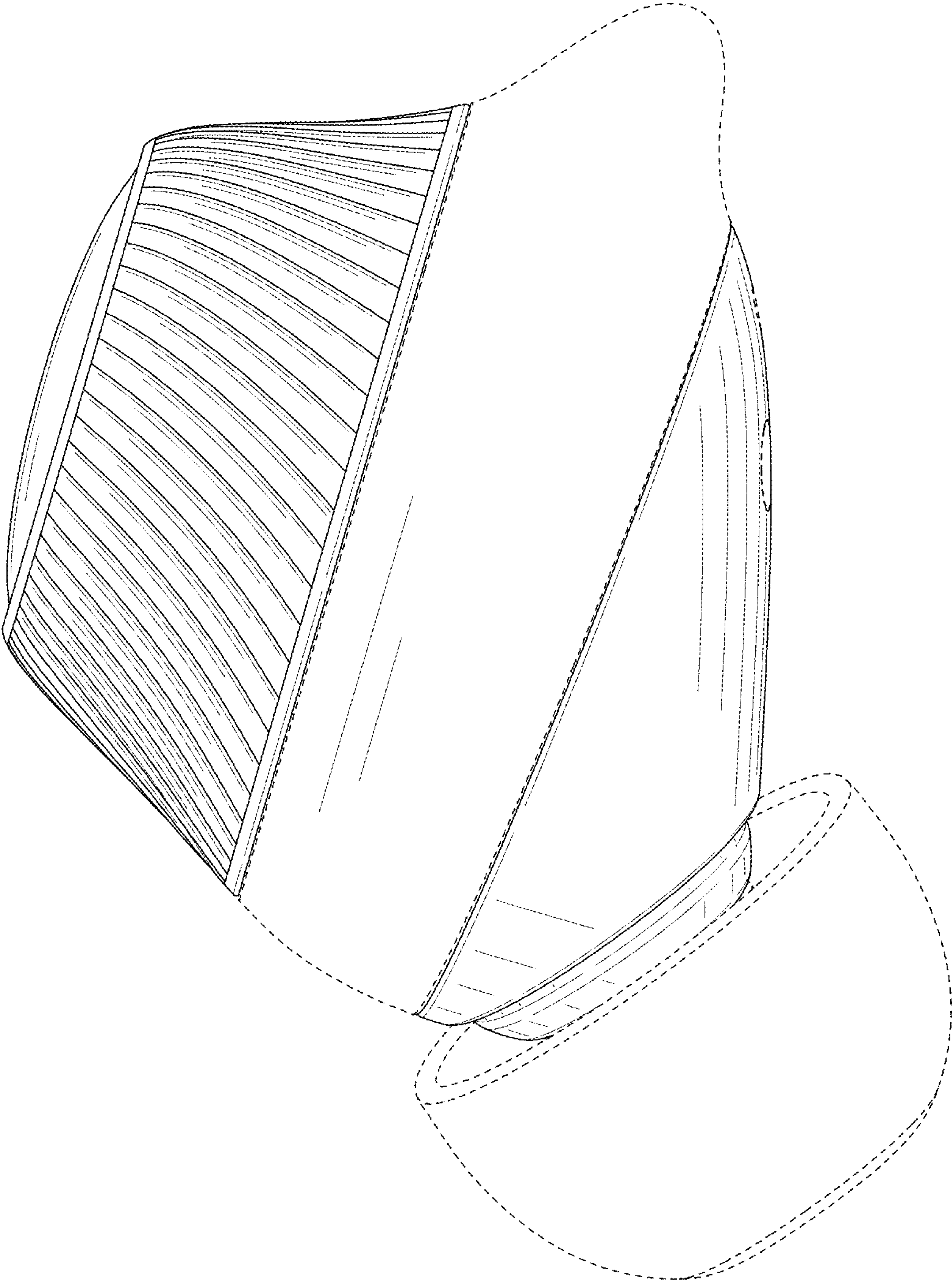


FIG. 3

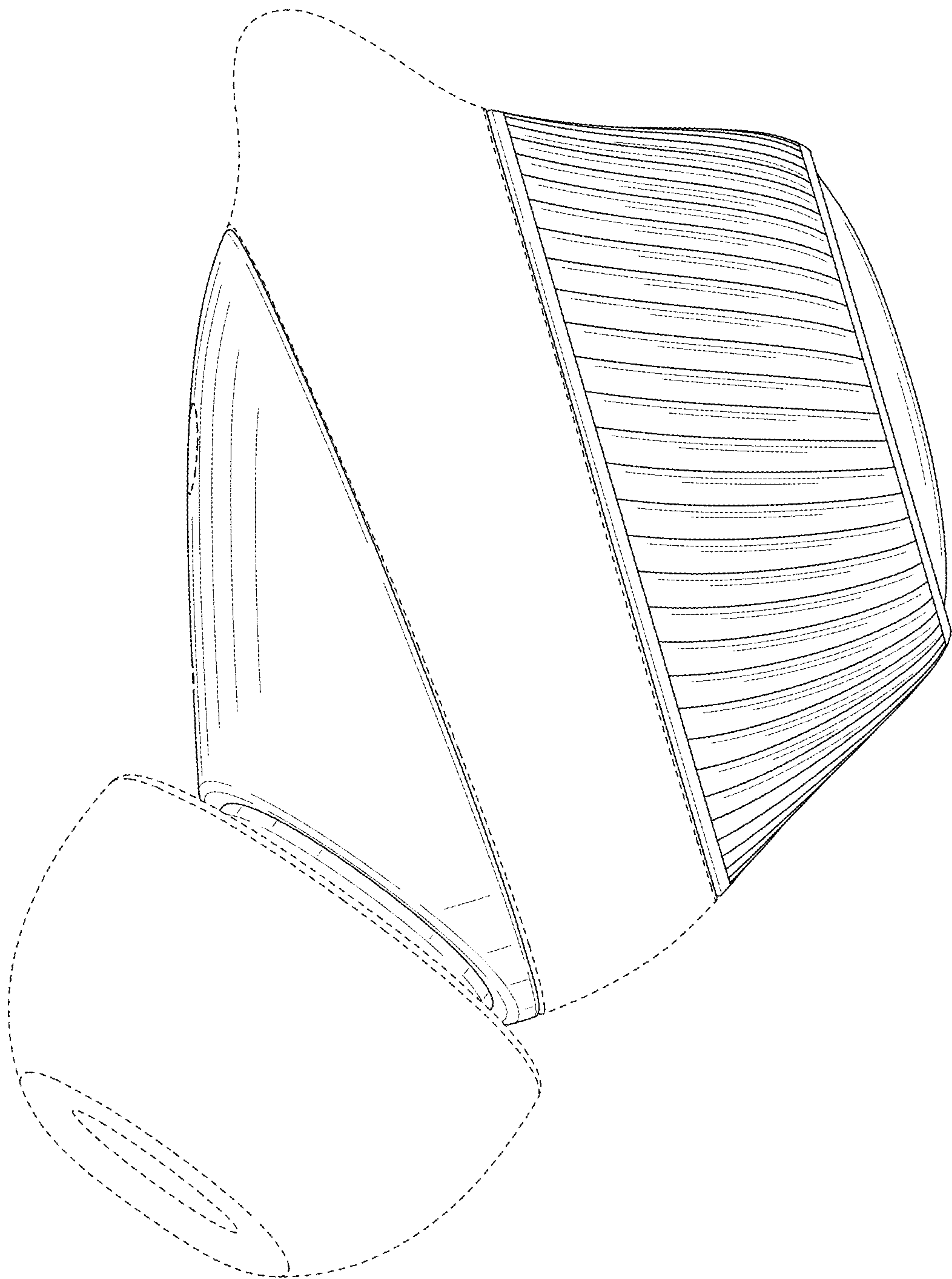


FIG. 4



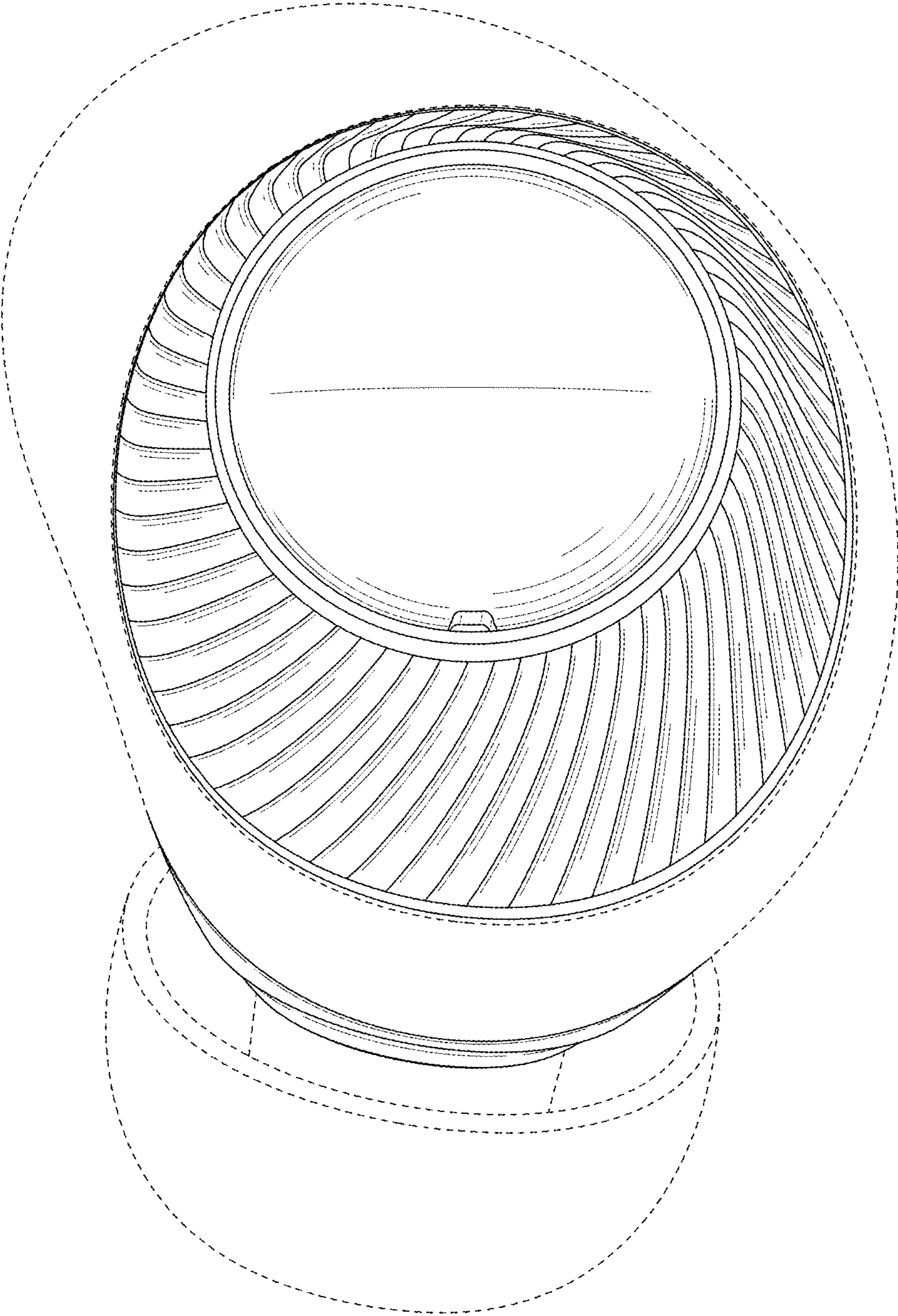


FIG. 5

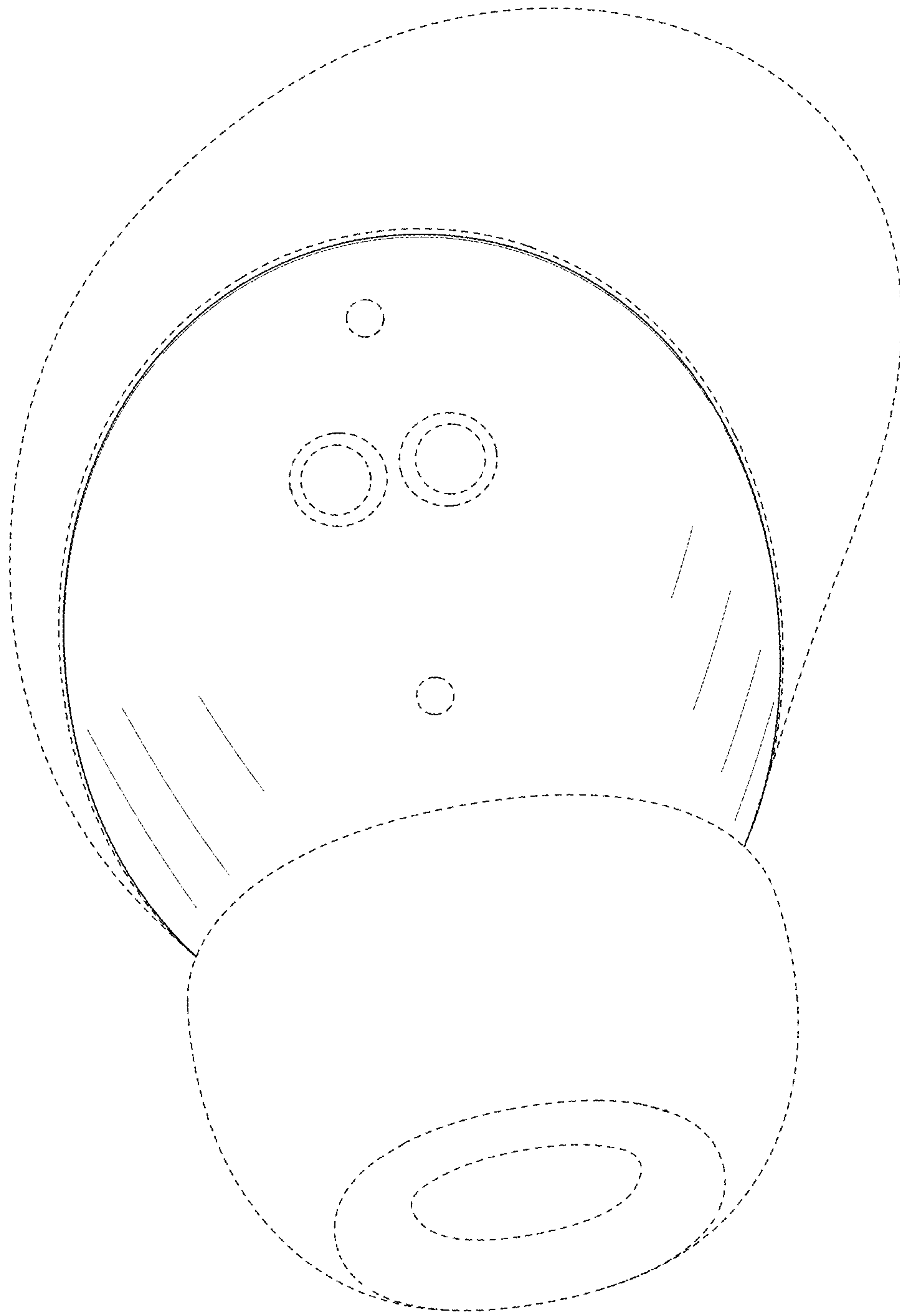


FIG. 6



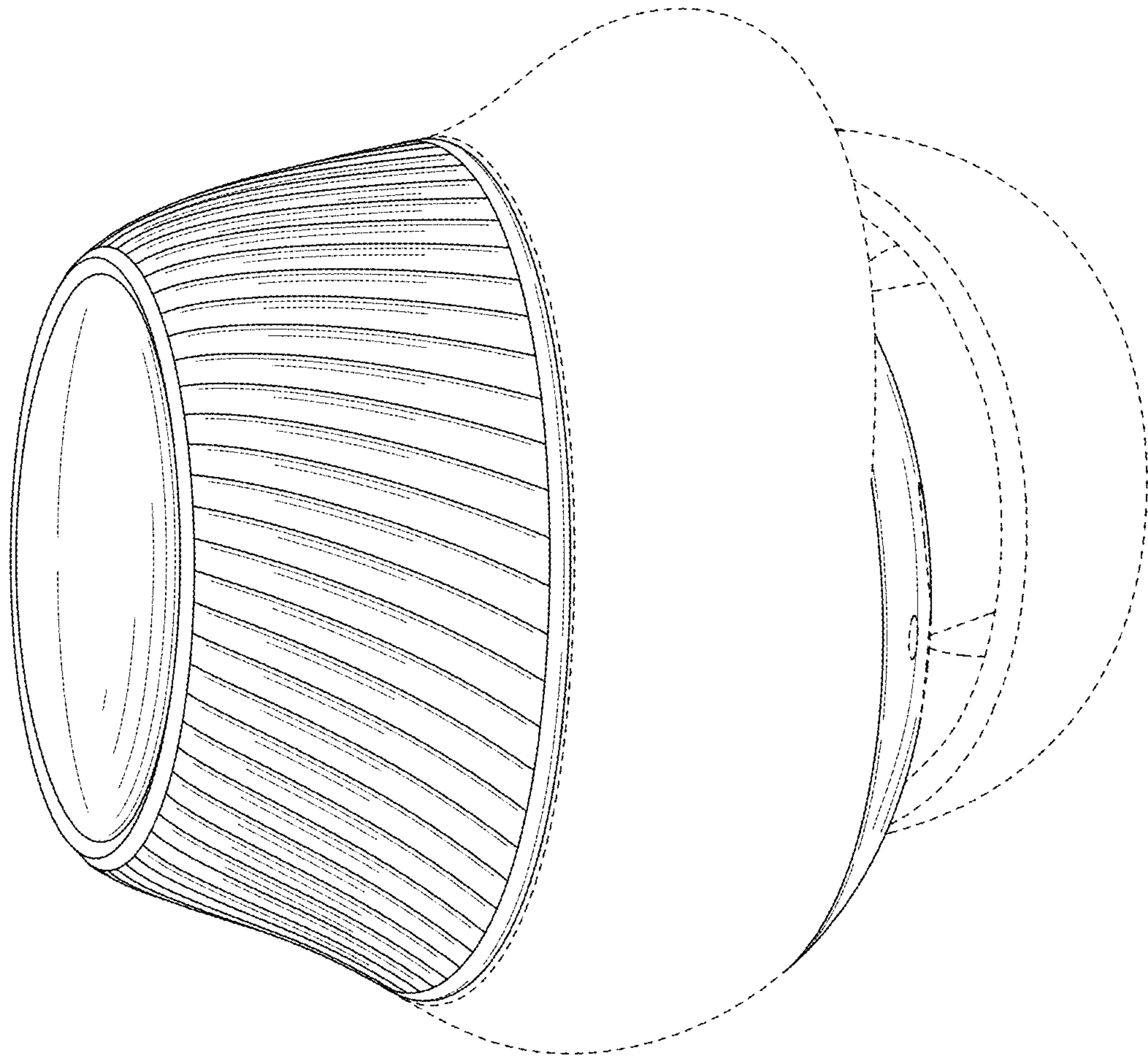


FIG. 7

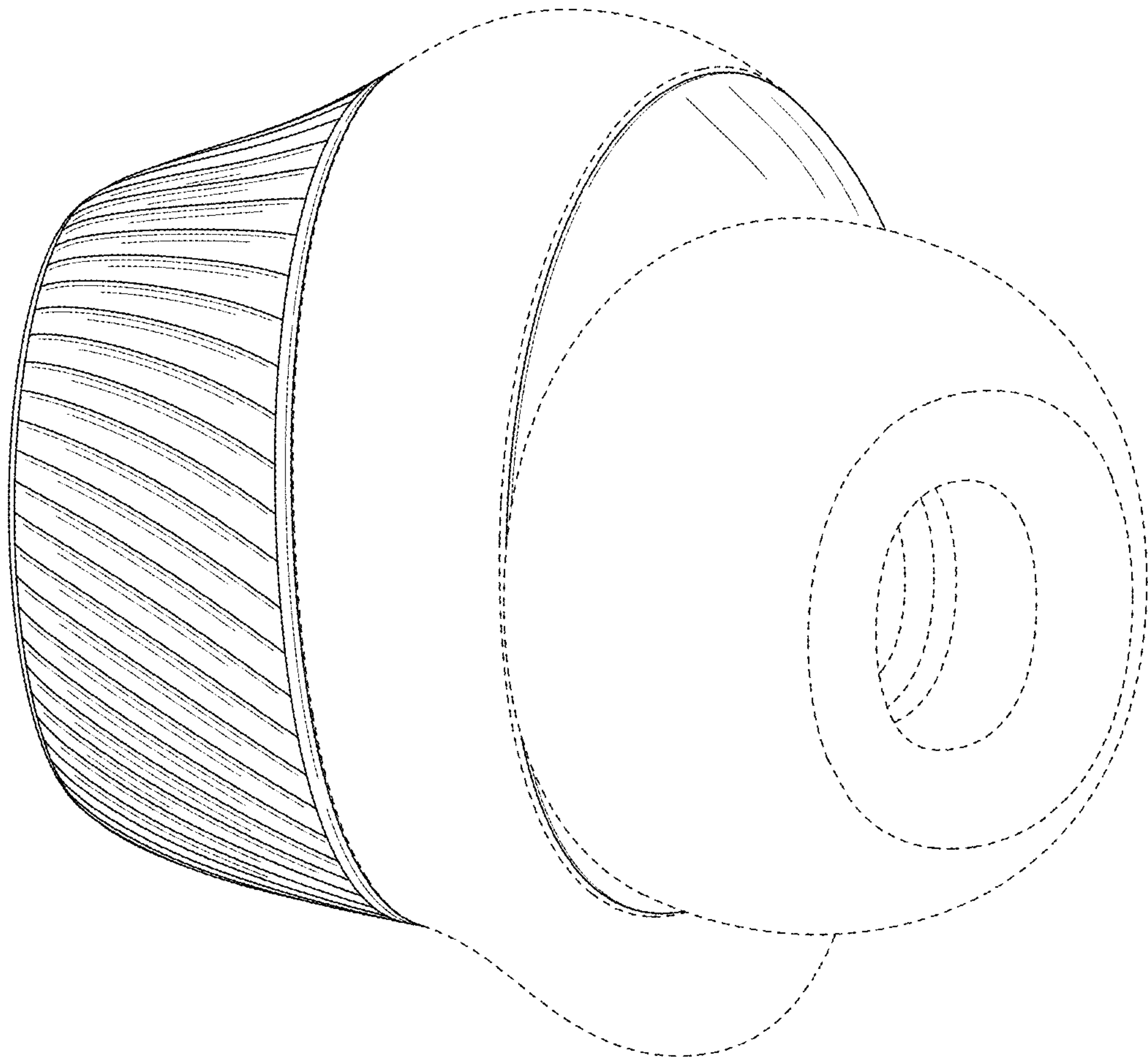


FIG. 8