



US00D958110S

(12) **United States Design Patent**
Yan

(10) **Patent No.:** **US D958,110 S**
(45) **Date of Patent:** **** Jul. 19, 2022**

- (54) **WIRELESS EARPHONE**
- (71) Applicant: **Shenzhen FuShiKe Electronic Co., Ltd., Shenzhen (CN)**
- (72) Inventor: **Xiaohuang Yan, Shenzhen (CN)**
- (73) Assignee: **Shenzhen FuShiKe Electronic Co., Ltd., Shenzhen (CN)**
- (**) Term: **15 Years**
- (21) Appl. No.: **29/744,728**
- (22) Filed: **Jul. 31, 2020**
- (51) **LOC (13) Cl.** **14-01**
- (52) **U.S. Cl.**
USPC **D14/206; D14/226**
- (58) **Field of Classification Search**
USPC D14/206, 226, 205, 188, 192, 142;
D29/112; 2/209; 381/380, 381;
455/90.3, 575.1, 569.1
CPC H04R 25/00; H04R 25/02; H04R 1/1016;
H04R 1/1066; H04R 5/033; H04R
5/0335; H04R 19/04; H04R 11/06; H04R
1/008; H04R 1/1091
See application file for complete search history.

D514,086 S *	1/2006	Skulley	D14/206
D517,528 S *	3/2006	Skulley	D14/206
D518,479 S *	4/2006	Skulley	D14/225
D531,165 S *	10/2006	Rath	D14/206
D535,285 S *	1/2007	Skulley	D14/205
D538,785 S *	3/2007	Skulley	D14/206
D540,778 S *	4/2007	Thompson	D14/206
D587,684 S *	3/2009	Ham	D14/205
7,519,196 B2 *	4/2009	Bech	H04R 1/105 381/384
D601,543 S *	10/2009	Bentley	D14/206
D602,001 S *	10/2009	Bentley	D14/206
D602,906 S *	10/2009	Groves	D14/205
D603,370 S *	11/2009	Suzuki	D14/205
D604,266 S *	11/2009	Milde	D14/205
D606,048 S *	12/2009	Soetejo	D14/223

(Continued)

FOREIGN PATENT DOCUMENTS

CN	307129867	*	2/2022
EM	007792767-0010	*	4/2020
EM	008756761-0001	*	11/2021

Primary Examiner — Paula Allen Greene

(57) **CLAIM**

The ornamental design for a wireless earphone, as shown and described.

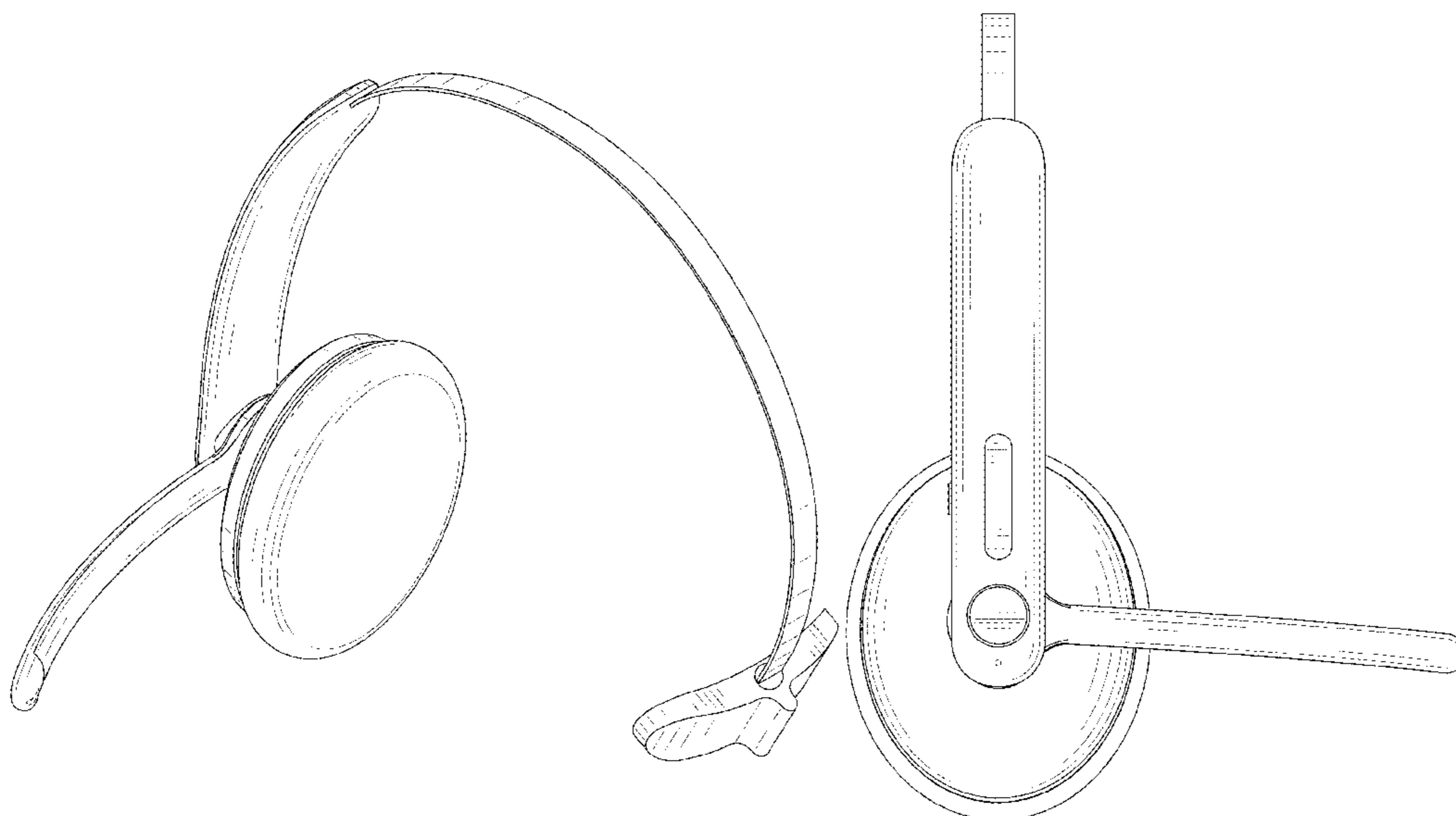
DESCRIPTION

FIG. 1 is a front perspective view of a wireless earphone showing my new design;
 FIG. 2 is a rear perspective view thereof;
 FIG. 3 is a front elevational view thereof;
 FIG. 4 is a rear elevational view thereof;
 FIG. 5 is a left side elevational view thereof;
 FIG. 6 is a right side elevational view thereof;
 FIG. 7 is a top plan view thereof; and,
 FIG. 8 is a bottom plan view thereof.
 The broken lines in the drawings depict portions of the wireless earphone that form no part of the claimed design.

1 Claim, 8 Drawing Sheets

(56) **References Cited**
U.S. PATENT DOCUMENTS

D337,116 S *	7/1993	Hattori	D14/206
5,504,812 A *	4/1996	Vangarde	H04M 1/05 379/430
6,154,539 A *	11/2000	Pitel	H04M 1/05 379/430
6,622,029 B1 *	9/2003	Skulley	H04M 1/05 379/430
D498,470 S *	11/2004	Skulley	D14/206
D505,413 S *	5/2005	Skulley	D14/223
6,970,572 B2 *	11/2005	Murozaki	H04M 1/05 381/381



(56)

References Cited

U.S. PATENT DOCUMENTS

D612,835 S *	3/2010	Yang	D14/206	D716,259 S *	10/2014	Awiszus	D14/206
D612,840 S *	3/2010	Yang	D14/206	D725,630 S *	3/2015	Nakagawa	D14/205
D617,769 S *	6/2010	Birger	D14/205	D732,002 S *	6/2015	Goransson	D14/206
D625,705 S *	10/2010	Ohori	D14/223	D760,690 S *	7/2016	Gecawicz	D14/206
D628,189 S *	11/2010	Rath	D14/206	9,426,554 B2 *	8/2016	Dai	H04R 1/105
D632,668 S *	2/2011	Brunner	D14/205	D769,219 S *	10/2016	Ohmachi	D14/205
D635,962 S *	4/2011	Kelley	D14/206	D775,104 S *	12/2016	Lee	D14/205
D638,000 S *	5/2011	Hoggarth	D14/206	D806,676 S *	1/2018	Fuglsang	D14/206
D639,776 S *	6/2011	Arimoto	D14/205	D822,638 S *	7/2018	Liu	D14/206
D641,337 S *	7/2011	Brandis	D14/206	D851,628 S *	6/2019	Wernblad	D14/206
D643,405 S *	8/2011	Rath	D14/206	D851,629 S *	6/2019	Summerson	D14/206
D644,625 S *	9/2011	Iseki	D14/206	D852,776 S *	7/2019	Zhu	D14/205
D653,649 S *	2/2012	Yang	D14/206	D875,073 S *	2/2020	Pedersen	D14/206
D654,471 S *	2/2012	Fischer	D14/206	D881,843 S *	4/2020	Hu	D14/206
D654,472 S *	2/2012	Fischer	D14/206	D885,364 S *	5/2020	Paterson	D14/206
D657,776 S *	4/2012	Lee	D14/205	D886,078 S *	6/2020	He	D14/206
D660,824 S *	5/2012	Hardi	D14/205	D891,399 S *	7/2020	Chen	D14/206
D666,168 S *	8/2012	Rath	D14/206	D893,454 S *	8/2020	Li	D14/206
D668,240 S *	10/2012	Brandis	D14/206	D895,570 S *	9/2020	Choi	D14/205
D671,914 S *	12/2012	Lee	D14/205	D896,203 S *	9/2020	Tong	D14/206
D673,136 S *	12/2012	Kelly	D14/205	D898,701 S *	10/2020	Zhong	D14/206
D673,524 S *	1/2013	Brennwald	D14/206	D913,988 S *	3/2021	Bellham	D14/205
D675,595 S *	2/2013	Cho	D14/205	D914,637 S *	3/2021	Shen	D14/206
D684,145 S *	6/2013	Rath	D14/206	D926,724 S *	8/2021	D'Ambrosio	D14/206
D684,559 S *	6/2013	Groset	D14/205	D927,457 S *	8/2021	Su	D14/206
D689,843 S *	9/2013	Lee	D14/205	D927,458 S *	8/2021	Su	D14/206
D691,110 S *	10/2013	Ham	D14/205	D927,459 S *	8/2021	Su	D14/206
D691,984 S *	10/2013	Wang	D14/205	D940,685 S *	1/2022	He	D14/206
D692,410 S *	10/2013	Brunner	H04R 1/1008 D14/206	D940,686 S *	1/2022	Yang	D14/206
D707,655 S *	6/2014	Porter	H04M 1/05 D14/206	D944,765 S *	3/2022	Bellham	D14/206
D709,860 S *	7/2014	Brunner	H04S 1/005 D14/205	2011/0306393 A1 *	12/2011	Goldman	H04M 1/6066 345/173
D716,258 S *	10/2014	Awiszus	D14/206	2012/0163616 A1 *	6/2012	Birch	H04R 1/1066 381/74
				2016/0198254 A1 *	7/2016	Gecawicz	H04R 1/1058 381/375
				2020/0288234 A1 *	9/2020	Fletcher	H04R 1/1066

* cited by examiner

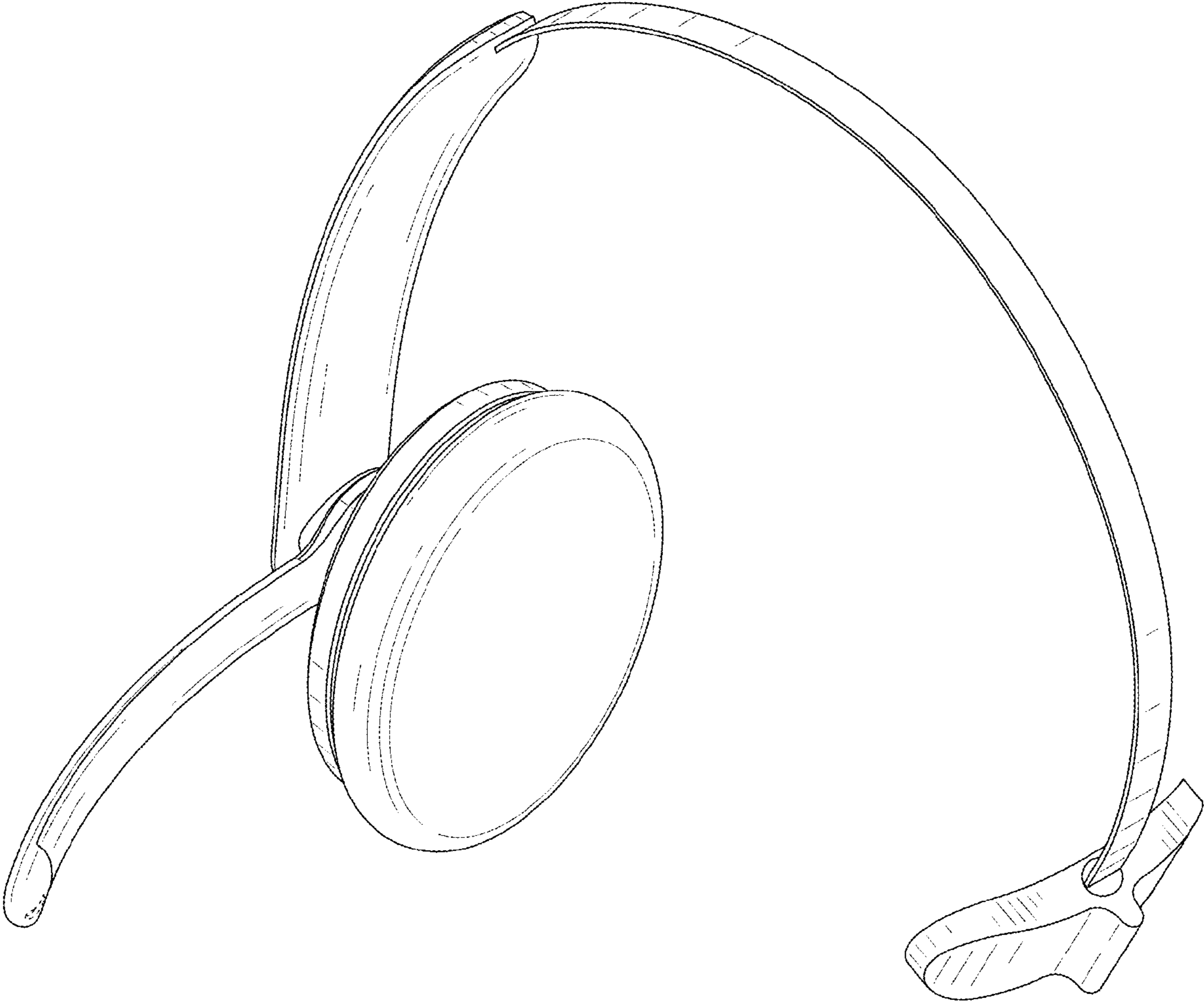


FIG. 1



FIG. 2

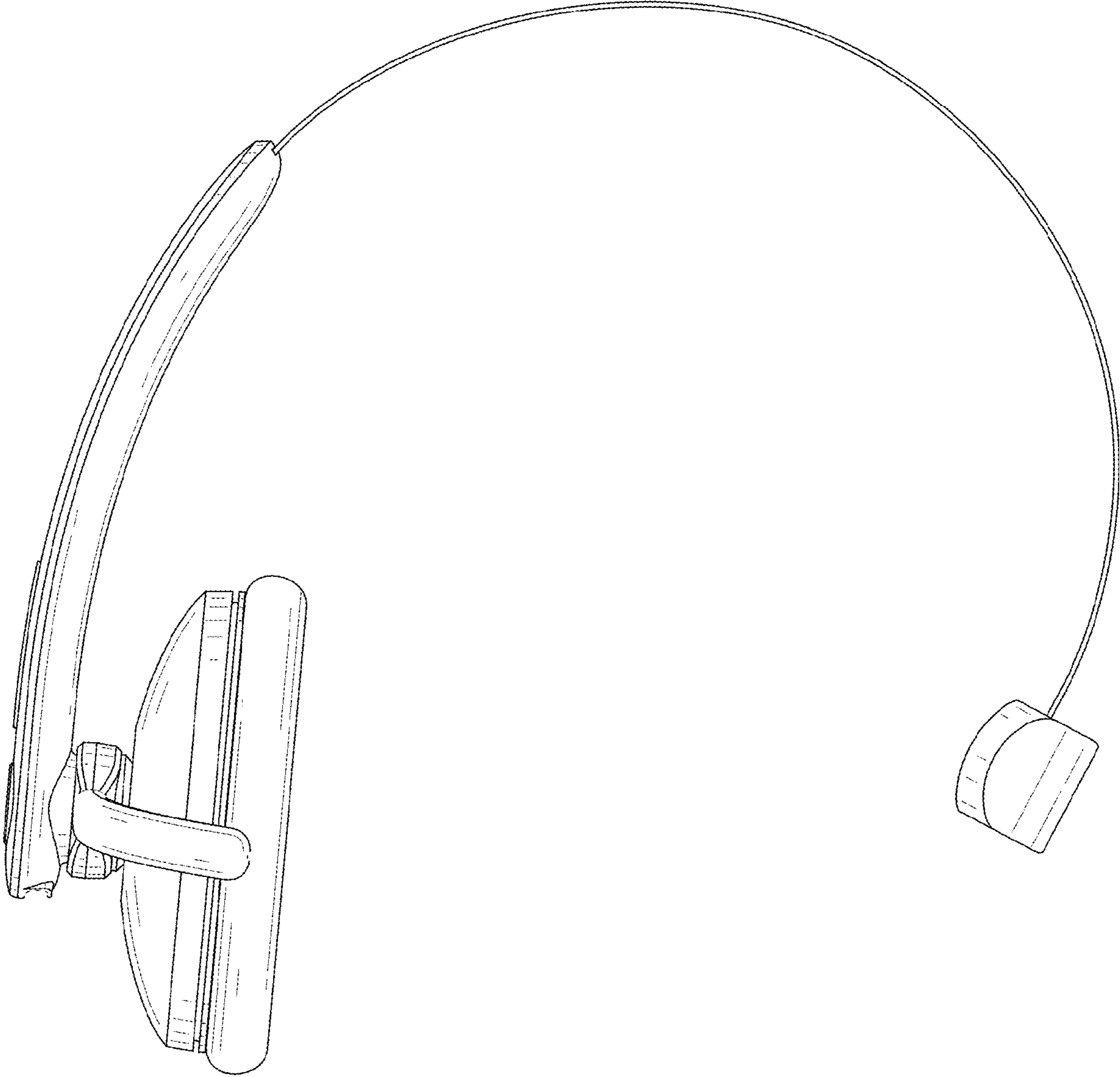


FIG. 3



FIG. 4

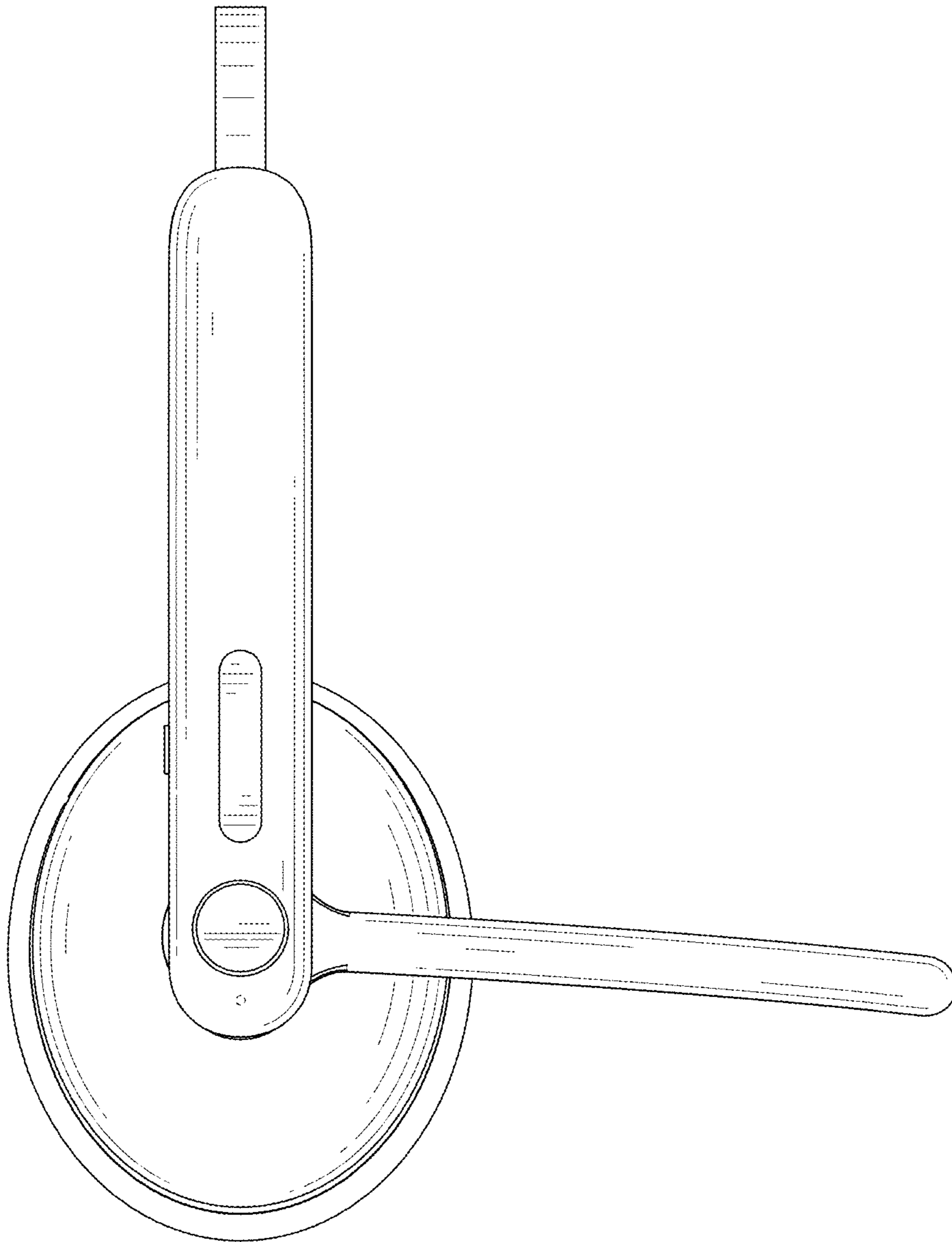


FIG. 5

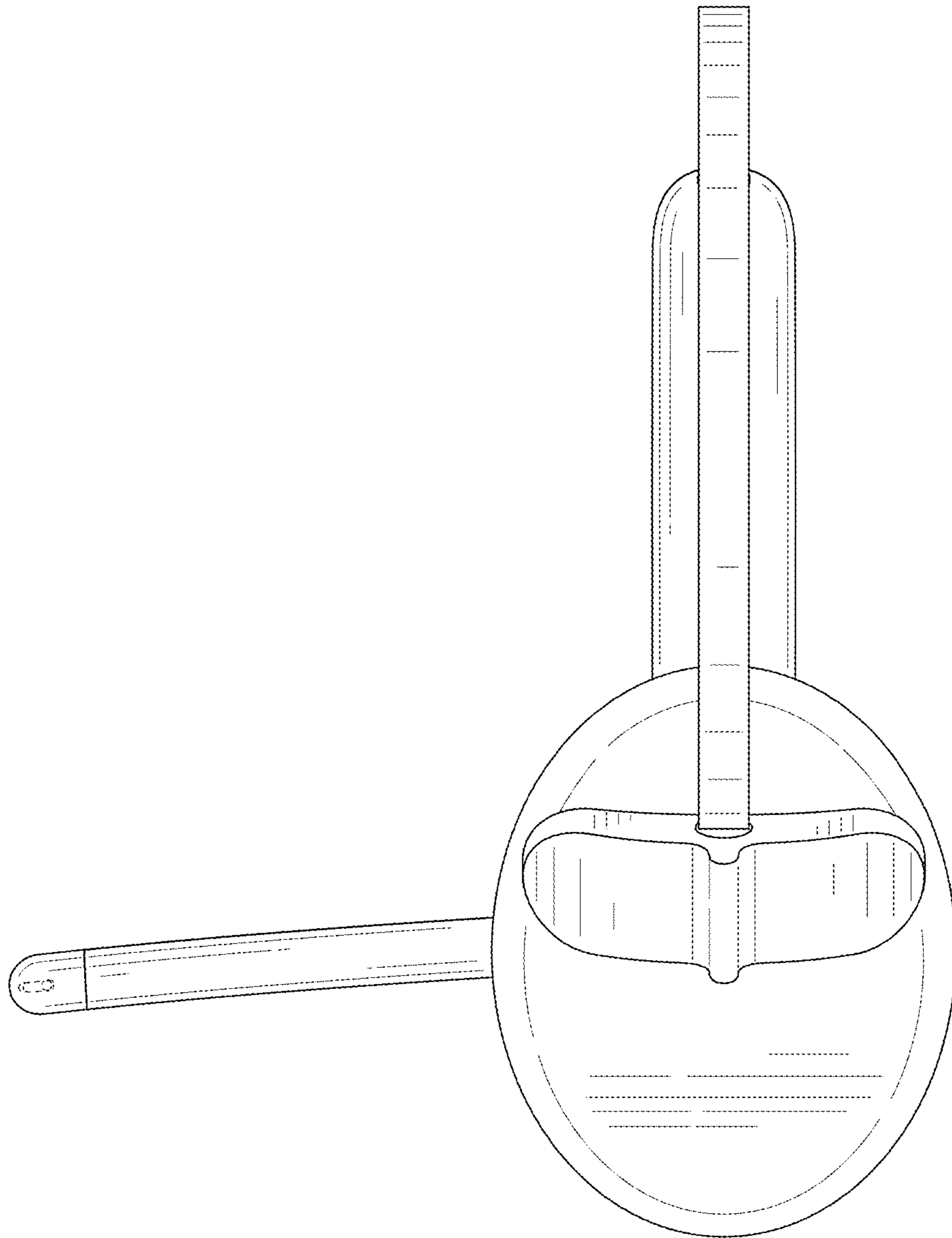


FIG. 6

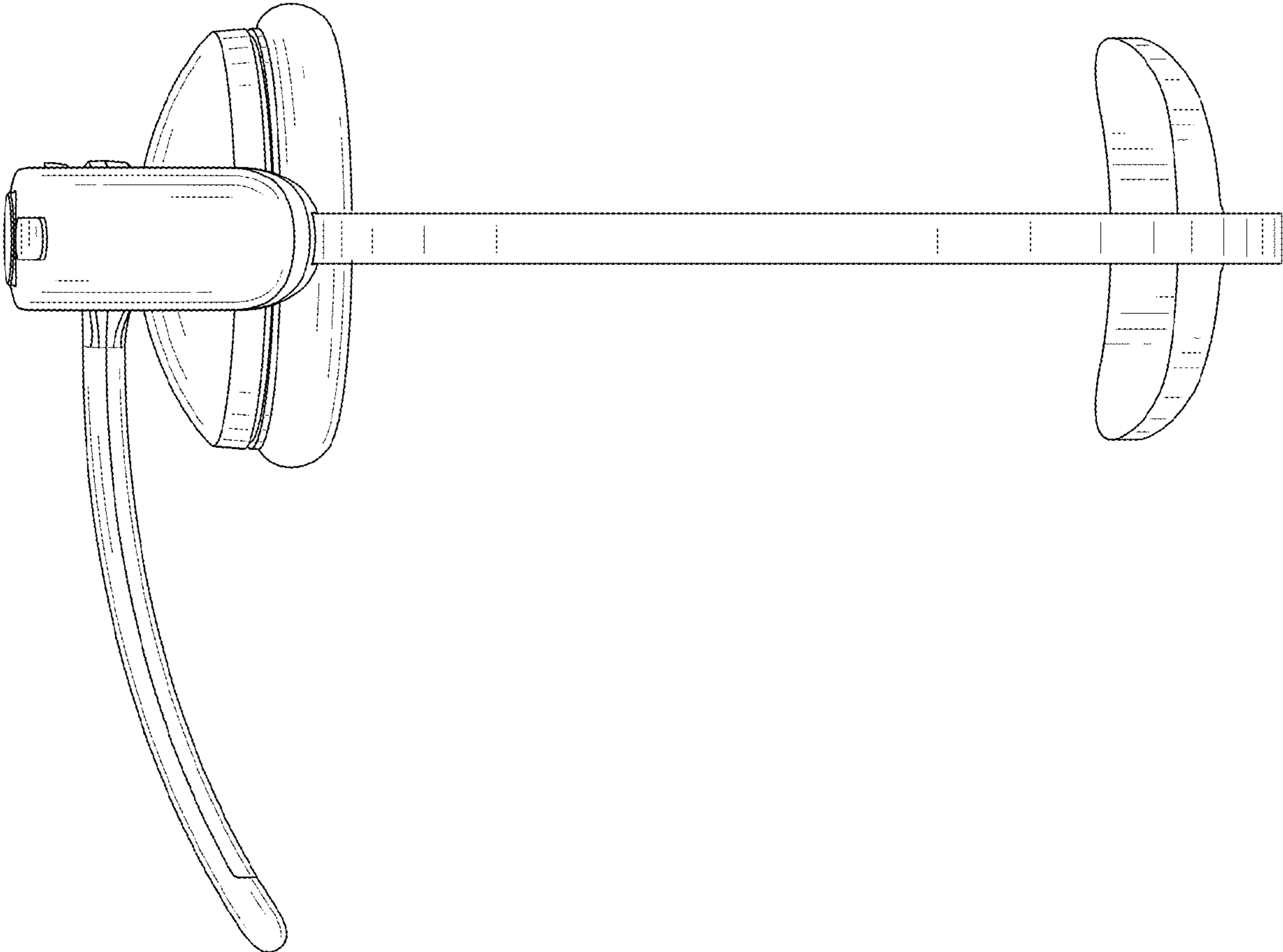


FIG. 7

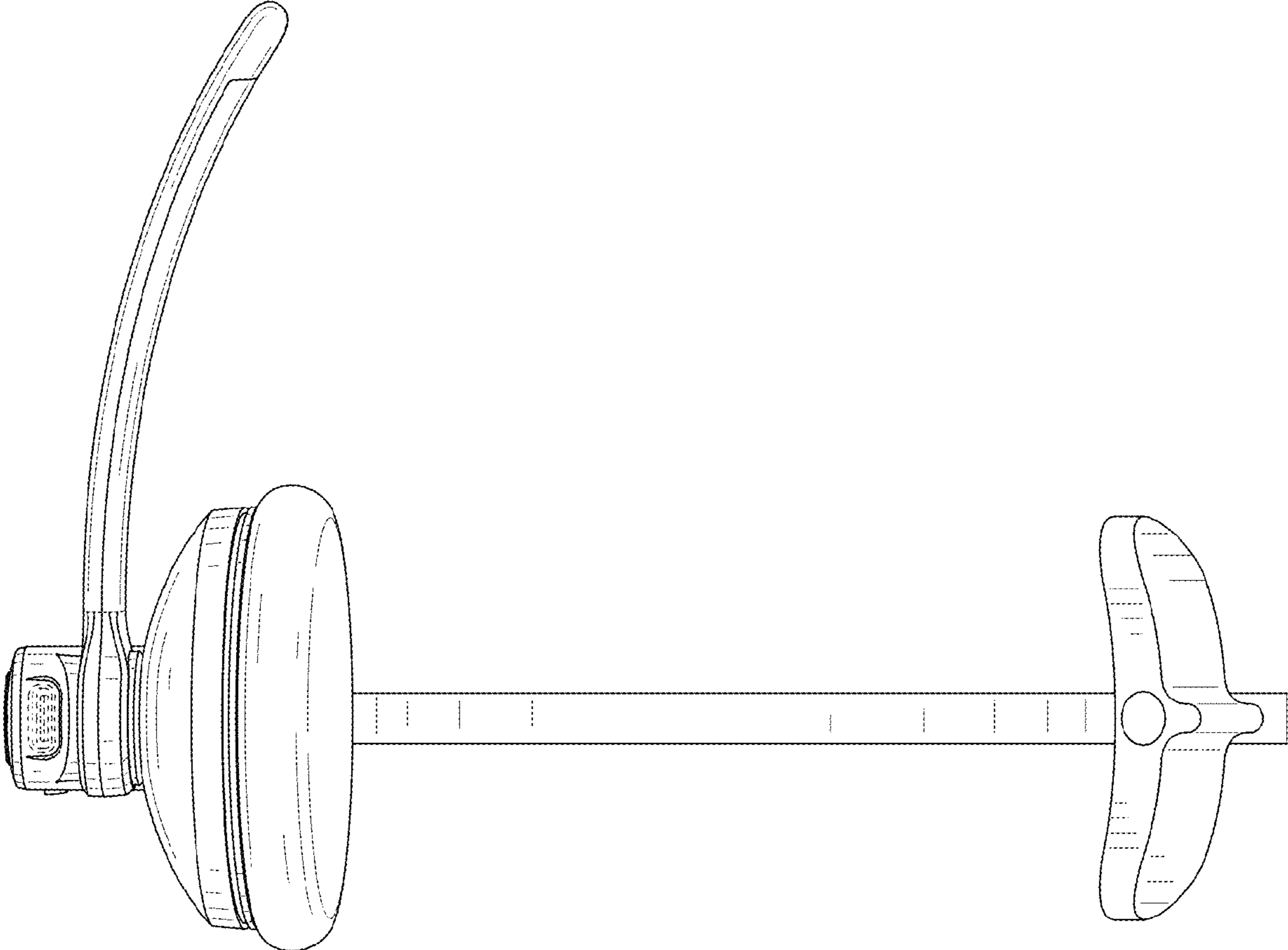


FIG. 8