



US00D958108S

(12) **United States Design Patent**
Yao

(10) **Patent No.:** **US D958,108 S**

(45) **Date of Patent:** **** Jul. 19, 2022**

(54) **WIRELESS SPEAKER WITH LIGHT**

CPC H04R 1/30; H04R 1/24
See application file for complete search history.

(71) Applicant: **SHENZHEN RELIGHT TECHNOLOGY CO., LTD**, Shenzhen (CN)

(56) **References Cited**

U.S. PATENT DOCUMENTS

D500,025 S * 12/2004 Vincenot D14/204
D530,310 S * 10/2006 Tsai D14/215
8,275,159 B2 * 9/2012 Lee H04R 1/26
381/300
D671,911 S * 12/2012 Warden D14/204

(72) Inventor: **Shenghua Yao**, Shenzhen (CN)

* cited by examiner

(73) Assignee: **SHENZHEN RELIGHT TECHNOLOGY CO., LTD**, Shenzhen (CN)

Primary Examiner — Khawaja Anwar
Assistant Examiner — Megan Tiana Rakos

(**) Term: **15 Years**

(57) **CLAIM**

The ornamental design for a wireless speaker with light, as shown and described.

(21) Appl. No.: **29/744,233**

DESCRIPTION

(22) Filed: **Jul. 28, 2020**

FIG. 1 is a perspective view of a wireless speaker with light, showing my new design;
FIG. 2 is a front view thereof;
FIG. 3 is a rear view thereof;
FIG. 4 is a left side view thereof;
FIG. 5 is a right side view thereof;
FIG. 6 is a top plan view thereof;
FIG. 7 is a bottom plan view thereof; and,
FIG. 8 is another perspective view of a use state.
The evenly-broken lines where present illustrate portions of the wireless speaker with light that form no part of the claimed design.

(30) **Foreign Application Priority Data**

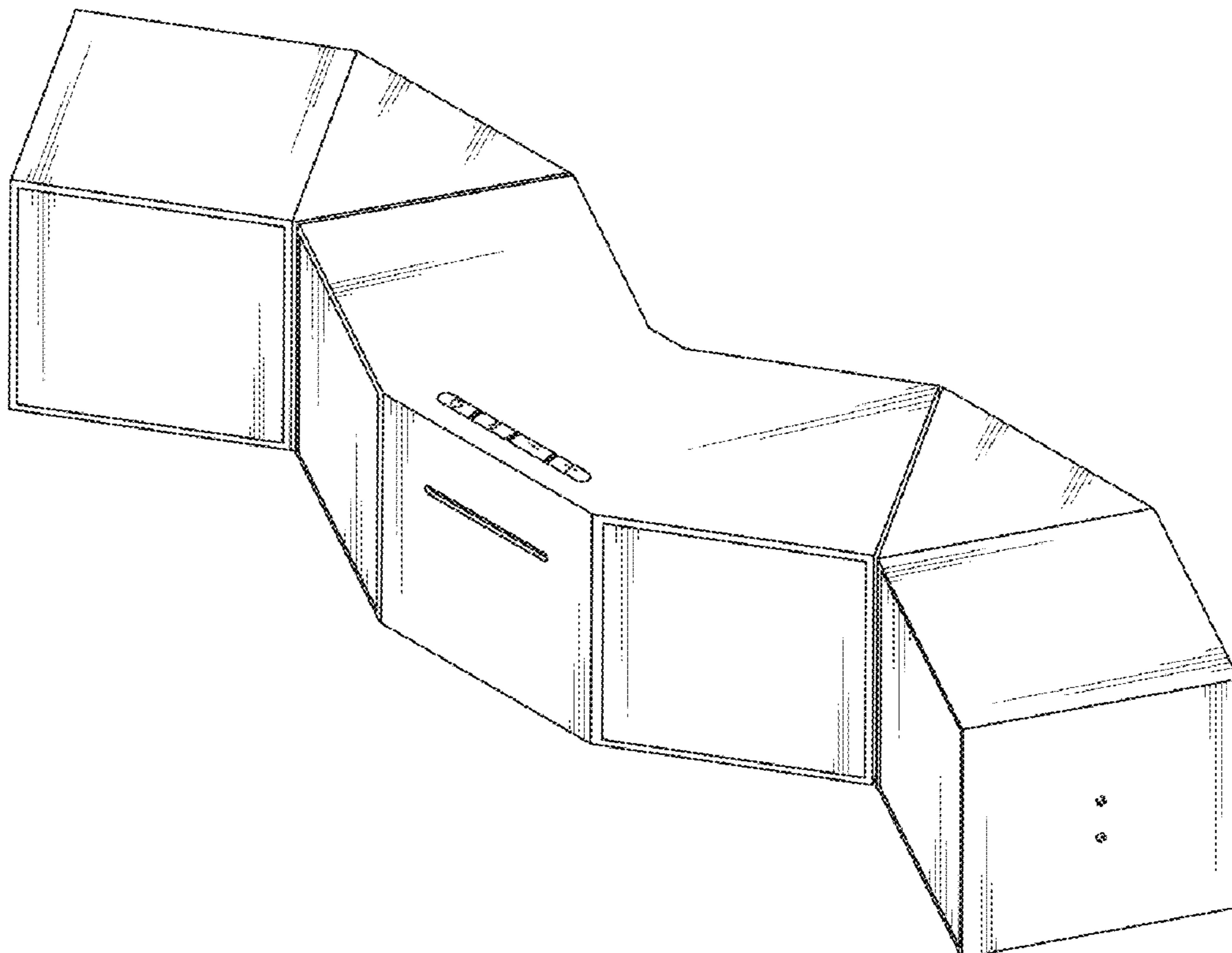
Apr. 20, 2020 (CN) 202030161836.6

(51) **LOC (13) Cl.** **14-01**

(52) **U.S. Cl.**
USPC **D14/204**

(58) **Field of Classification Search**
USPC D14/172, 204, 209.1, 210, 221, 224

1 Claim, 8 Drawing Sheets



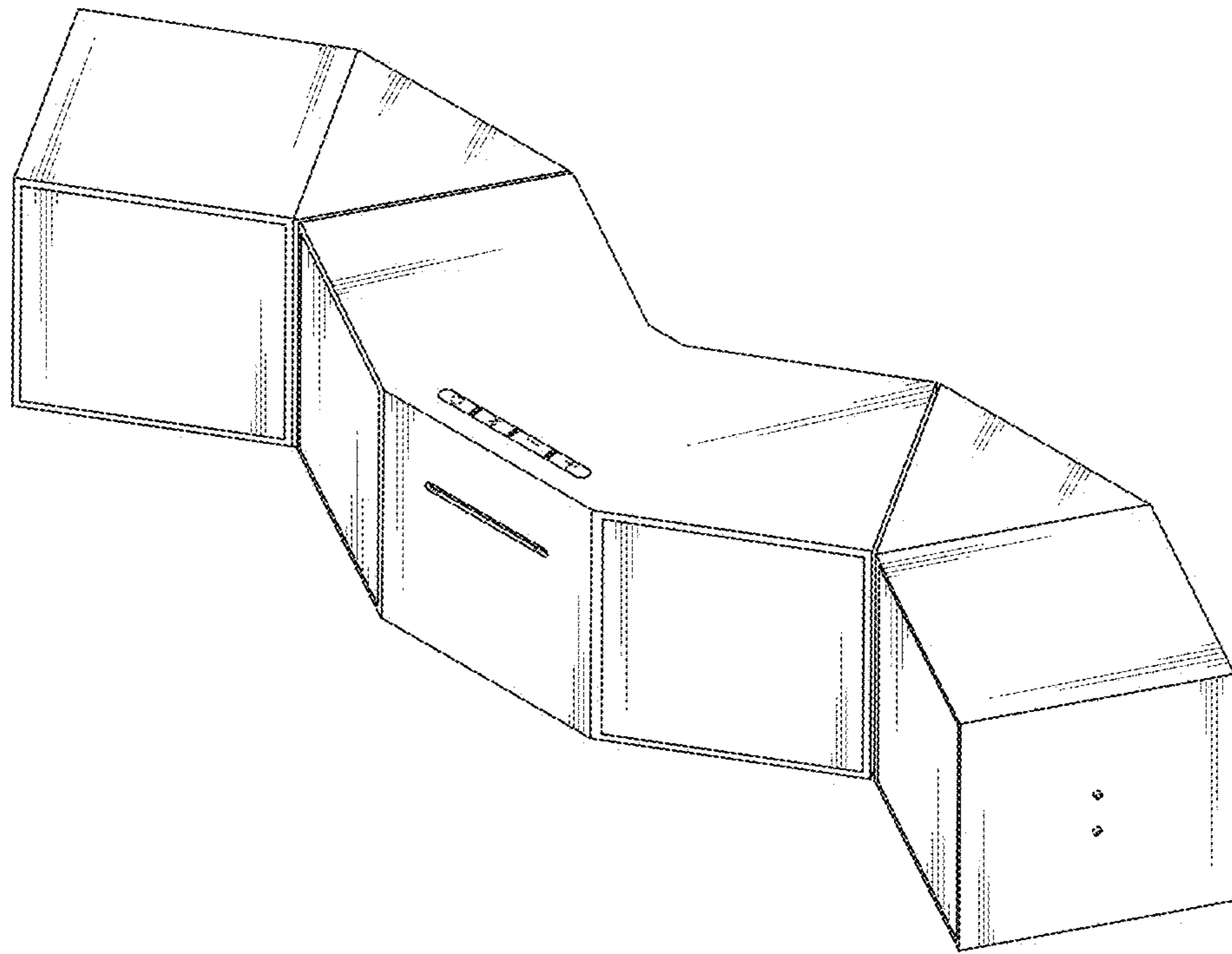


FIG. 1

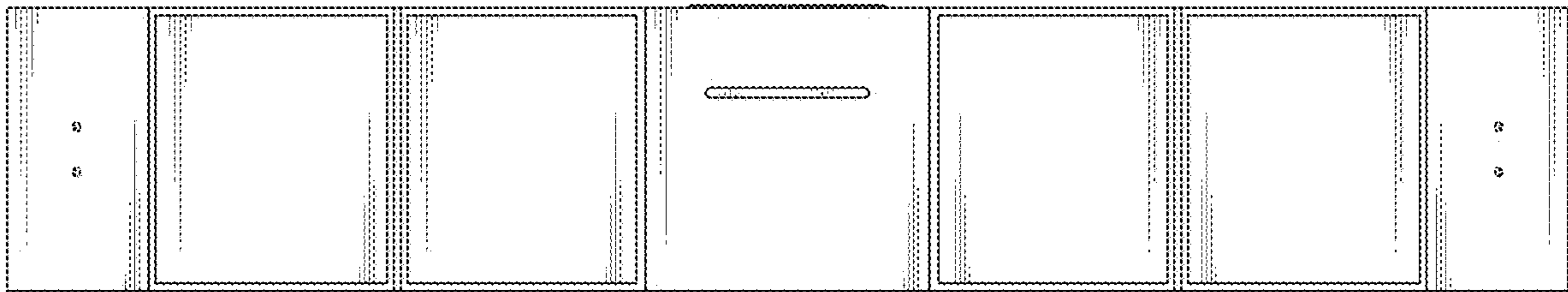


FIG. 2

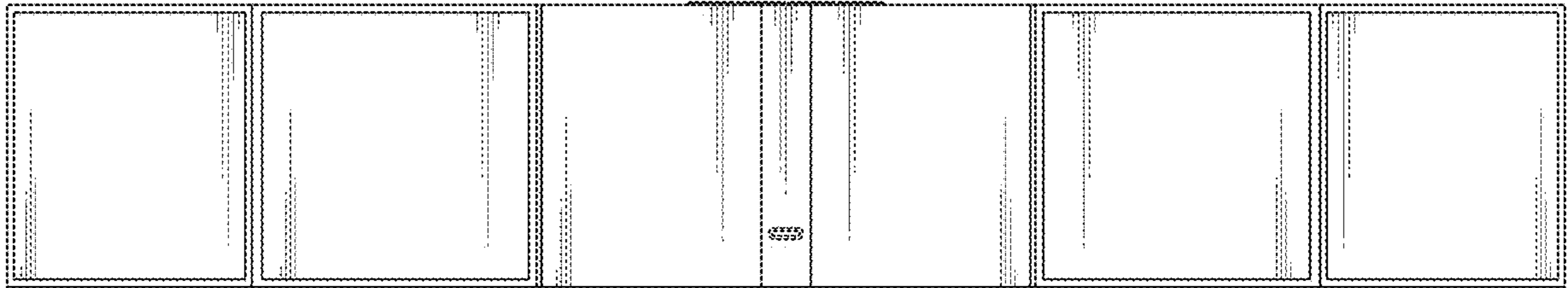


FIG. 3

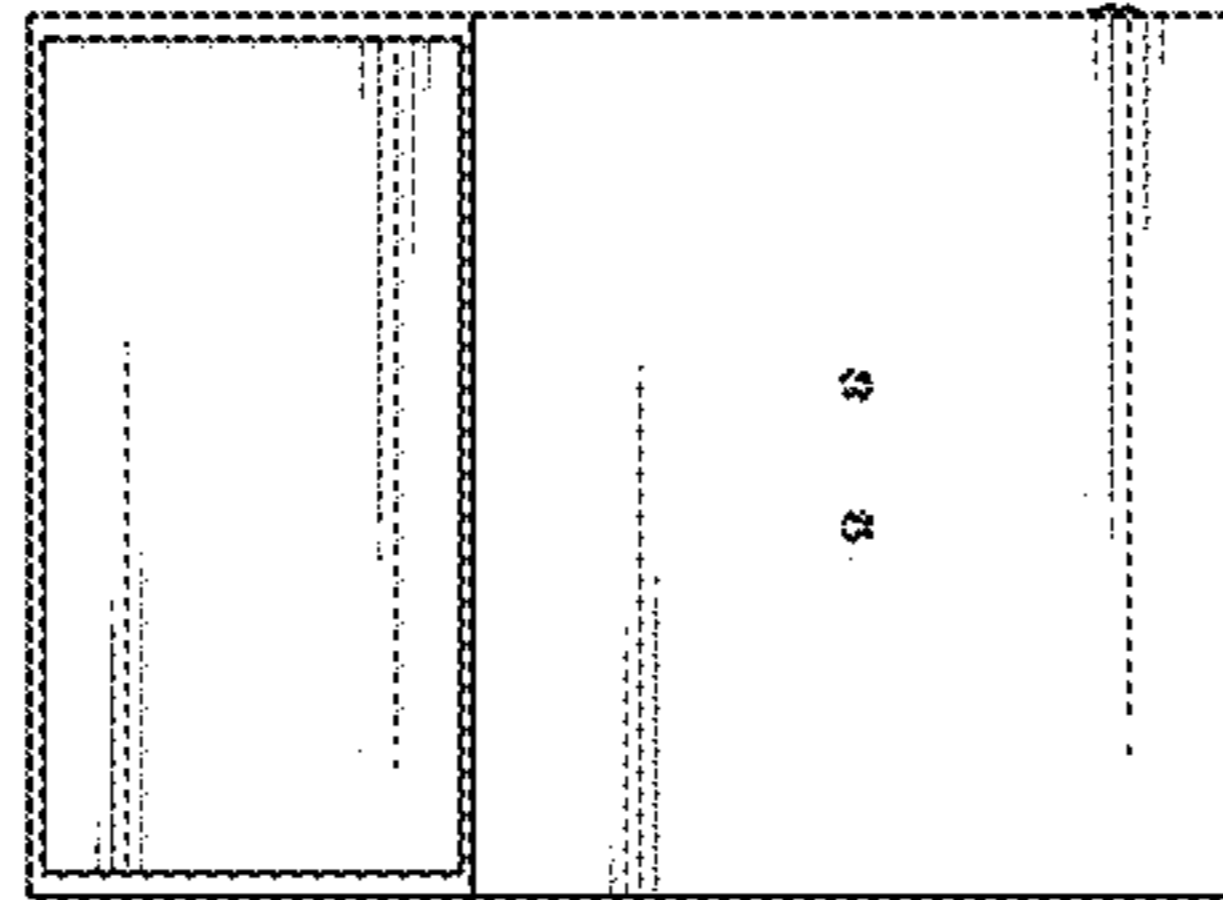


FIG. 4

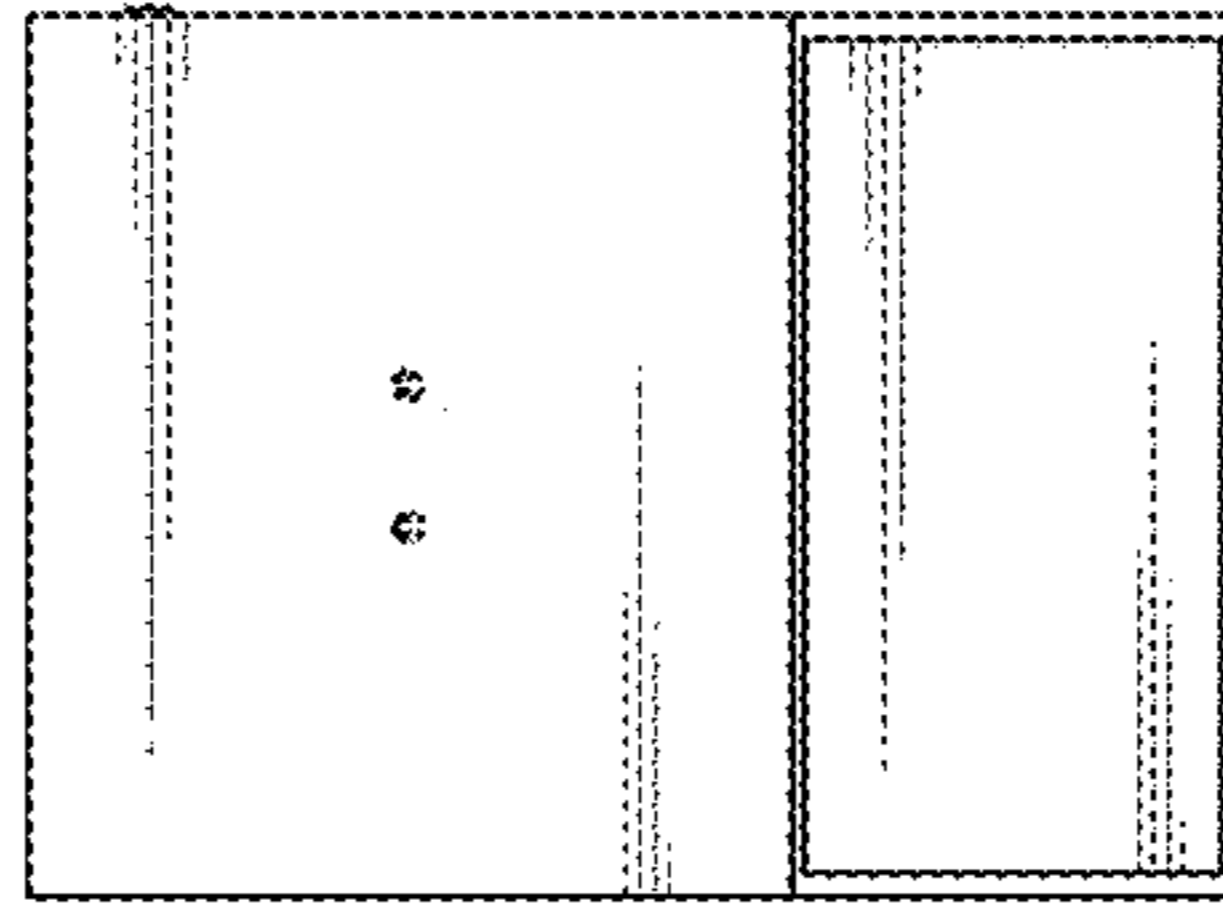


FIG. 5

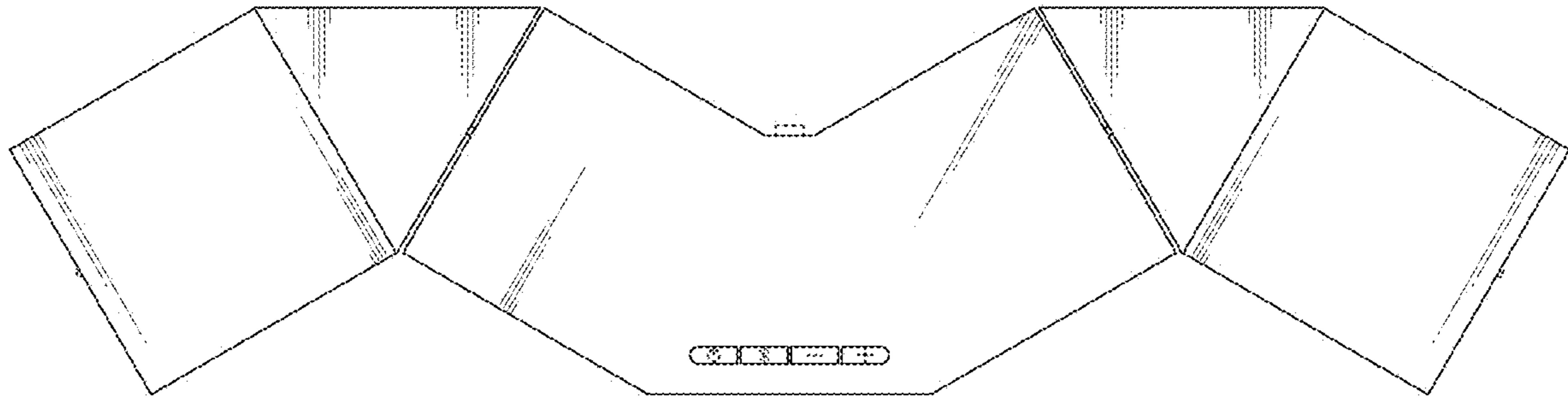


FIG. 6

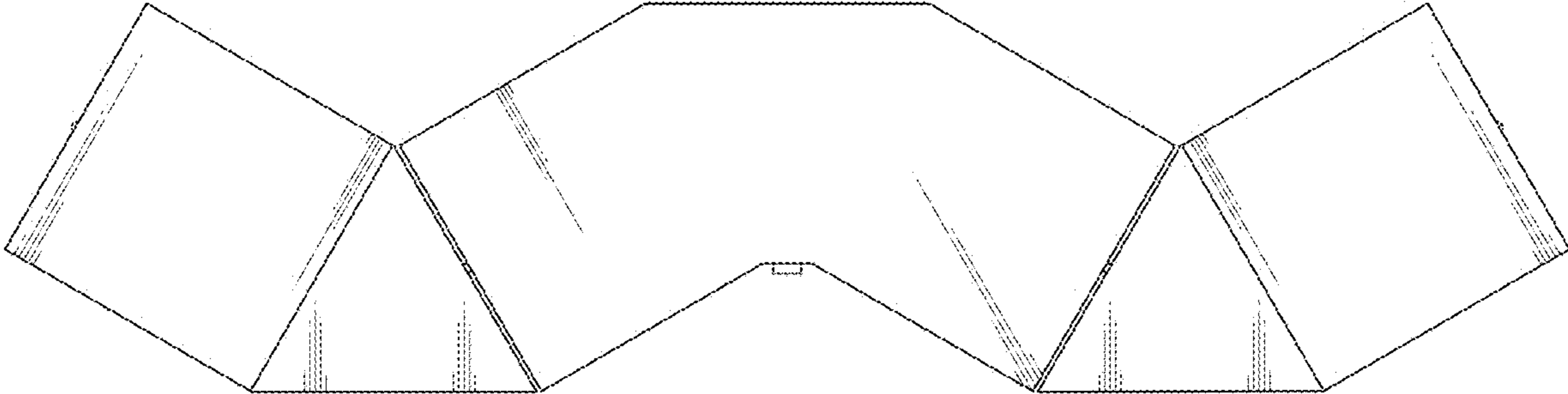


FIG. 7

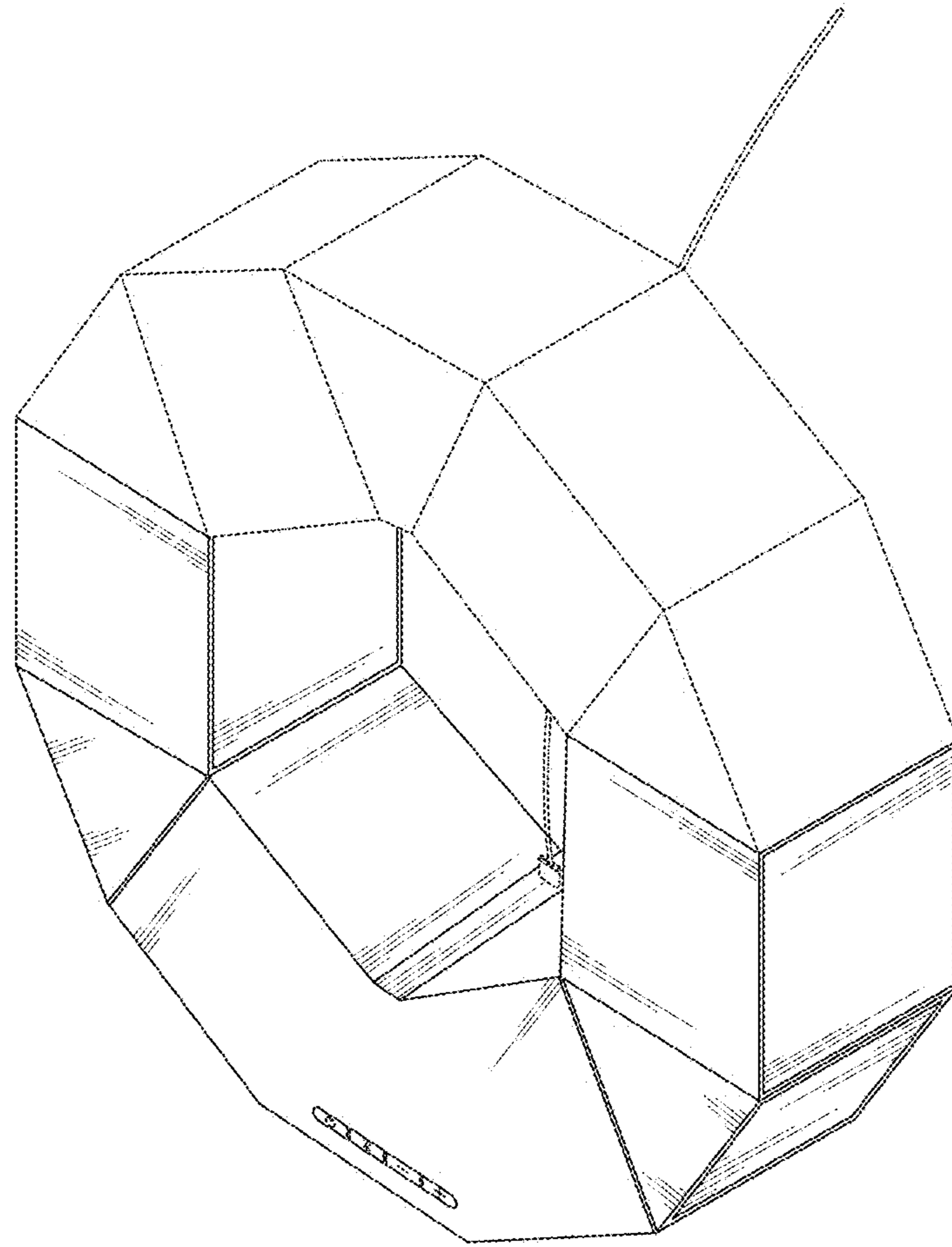


FIG. 8