



US00D958106S

(12) **United States Design Patent**
Suzukawa et al.

(10) **Patent No.:** **US D958,106 S**
(45) **Date of Patent:** **** Jul. 19, 2022**

(54) **COMBINED SPEAKER BOX WITH REMOTE CONTROL AND CHARGER**

URL: <<https://www.amazon.com/Sony-SRSBT100-Bluetooth-Discontinued-Manufacturer/dp/B0016KGRSM>> (Year: 2008).*

(Continued)

(71) Applicant: **SONY CORPORATION**, Tokyo (JP)

Primary Examiner — Barbara Fox

(72) Inventors: **Hiroyuki Suzukawa**, Tokyo (JP);
Sabina Weiss, London (GB); **Hiroya Fujii**, Tokyo (JP)

Assistant Examiner — Aram Kwon

(74) *Attorney, Agent, or Firm* — Michael Best and Friedrich LLP

(73) Assignee: **SONY CORPORATION**, Tokyo (JP)

(57) **CLAIM**

(**) Term: **15 Years**

The ornamental design for a combined speaker box with remote controller and charger, therefor as shown.

(21) Appl. No.: **29/728,423**

DESCRIPTION

(22) Filed: **Mar. 18, 2020**

FIG. 1 is a perspective view of a combined speaker box with remote control and charger showing our new design;

(30) **Foreign Application Priority Data**

FIG. 2 is a front elevational view thereof;

Dec. 13, 2019 (JP) 2019-027686

FIG. 3 is a rear elevational view thereof.

(51) **LOC (13) Cl.** **14-01**

FIG. 4 is a left side elevational view thereof;

(52) **U.S. Cl.**

FIG. 5 is a right side elevational view thereof;

USPC **D14/172**

FIG. 6 is a top plan view thereof; and

(58) **Field of Classification Search**

USPC D14/125–126, 155–159, 160–173,
D14/187–188, 203.1–203.8, 204–216,

FIG. 7 is a bottom plan view thereof.

(Continued)

FIG. 8 is a perspective view of the speaker box with remote control of the combined speaker box with remote control and charger, shown separately from the charger to show aspects of the design that are not visible when combined;

(56) **References Cited**

FIG. 9 is a front elevational view thereof;

U.S. PATENT DOCUMENTS

D379,007 S * 4/1997 Obata D14/162
D421,607 S 3/2000 Hakoda

(Continued)

FIG. 10 is a rear elevational view thereof;

FOREIGN PATENT DOCUMENTS

JP D1670938 * 10/2020

FIG. 11 is a left side elevational view thereof;

OTHER PUBLICATIONS

Sony SRSBT100 Bluetooth Stereo Speakers, date first available: Mar. 20, 2008, [retrieved Dec. 2, 2021], Retrieved from Internet,

FIG. 12 is a right side elevational view thereof;

FIG. 13 is a top plan view thereof; and

FIG. 14 is a bottom plan view thereof.

FIG. 15 is a perspective view of the charger of the combined speaker box with remote control and charger, shown separately from the speaker box with remote control to show aspects of the design that are not visible when combined;

FIG. 16 is a front elevational view thereof;

FIG. 17 is a rear elevational view thereof;

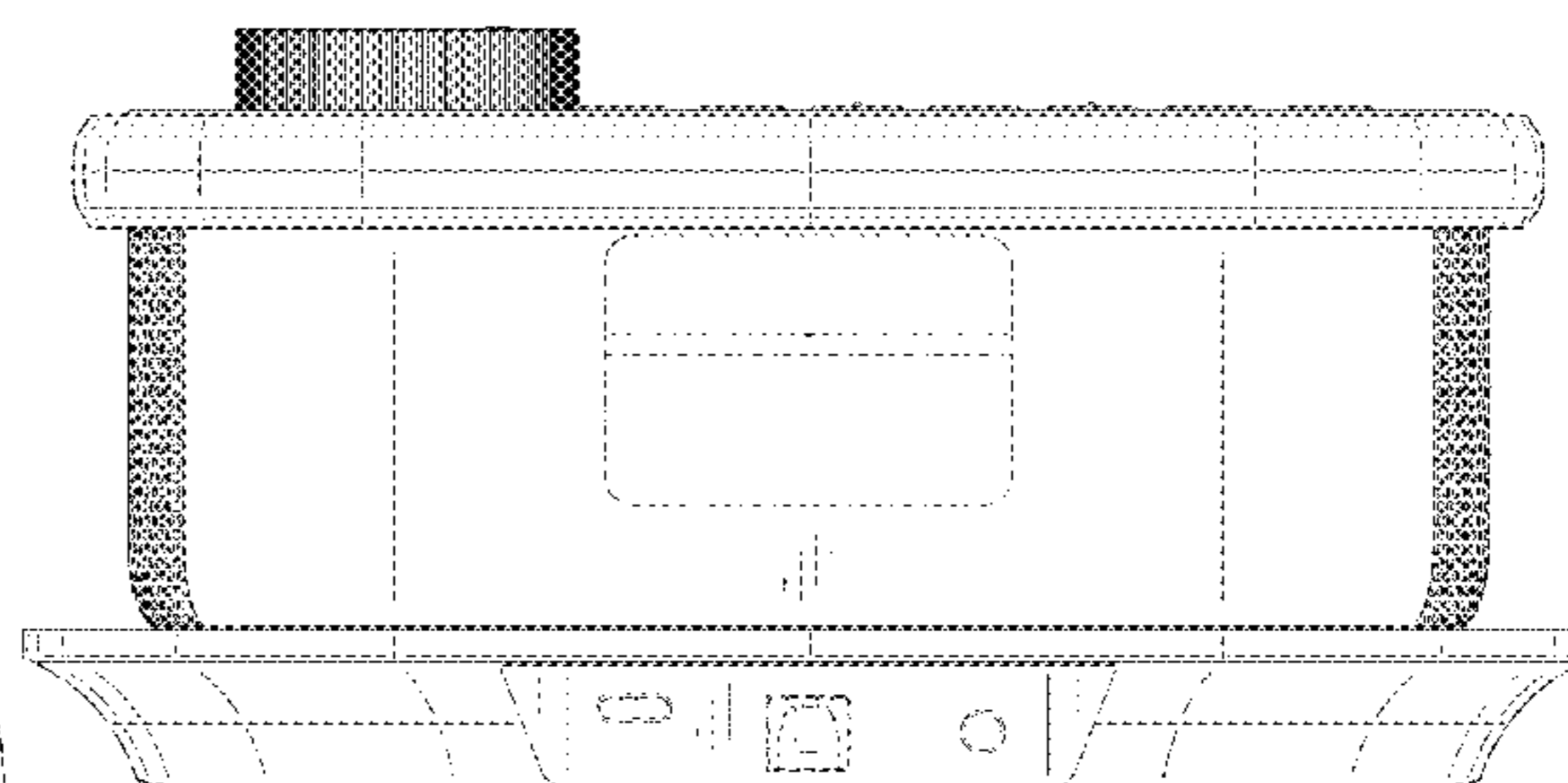
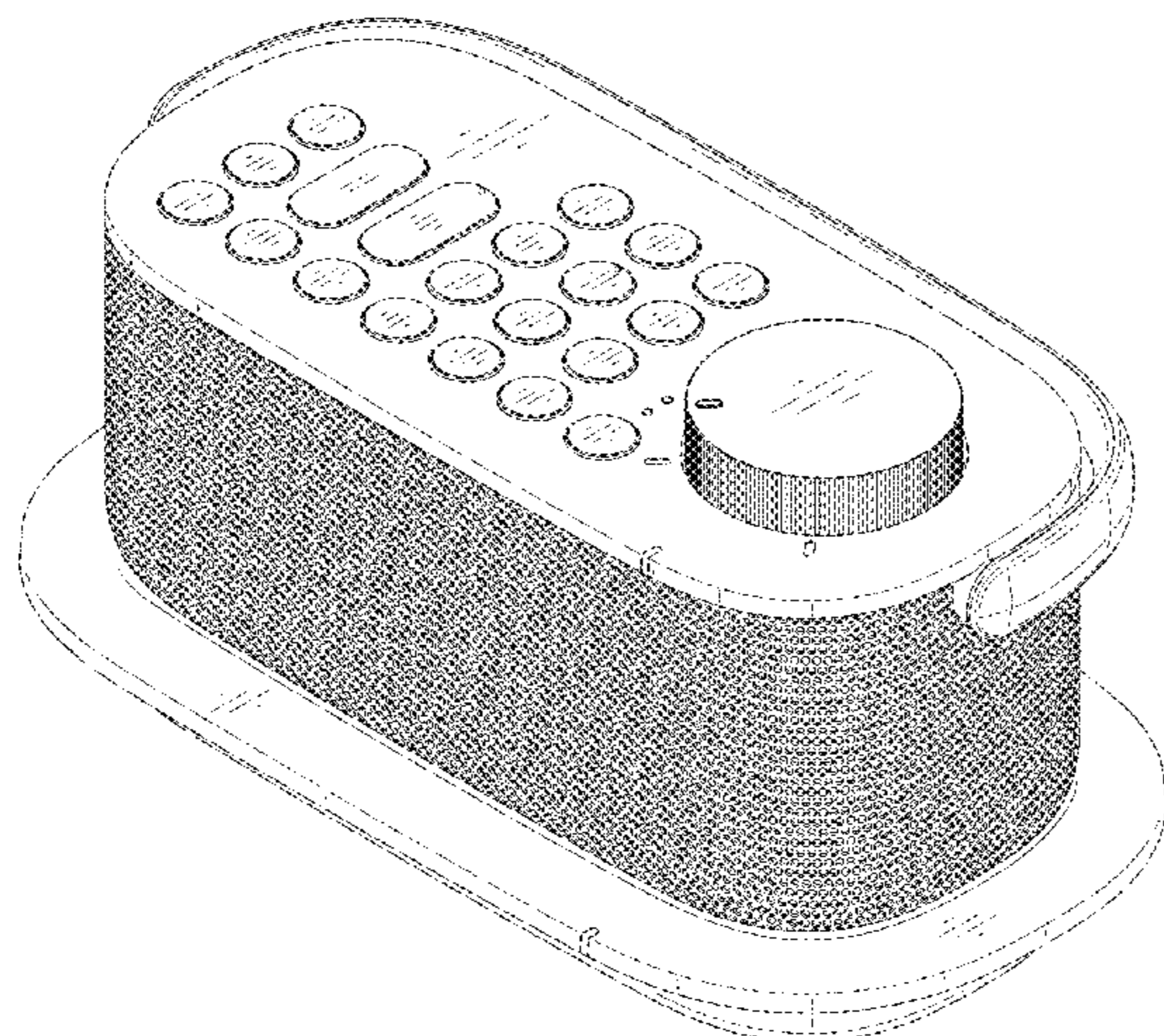
FIG. 18 is a left side elevational view thereof;

FIG. 19 is a right side elevational view thereof;

FIG. 20 is a top plan view thereof; and,

FIG. 21 is a bottom plan view thereof.

(Continued)



The broken lines illustrating portions of the combined speaker box with remote control and charger form no part of the claimed design.

1 Claim, 17 Drawing Sheets

(58) **Field of Classification Search**

USPC D14/217–222, 225–229, 445, 496, 500;
D16/200–208, 211, 216–219, 221, 225,
D16/230, 237
CPC H04R 1/02; H04R 1/021; H04R 1/025;
H04R 1/026; H04R 1/028; H04R 1/06;
H04R 1/105; H04R 1/323; H04R 1/403;
H04R 1/2803; H04R 1/2834

See application file for complete search history.

(56) **References Cited**

U.S. PATENT DOCUMENTS

D446,188 S * 8/2001 Gershfeld D13/139.4
D510,347 S * 10/2005 Martin D14/299
D557,251 S * 12/2007 Nohara D14/194
D563,386 S * 3/2008 Foster
D570,869 S * 6/2008 Yamada D14/496
D577,002 S * 9/2008 Kurihara D14/170
D578,105 S * 10/2008 Komiyama
D578,106 S * 10/2008 Shimizu D14/214
D586,327 S * 2/2009 Shimizu
D641,343 S * 7/2011 Kim D14/240
D642,154 S * 7/2011 Poandl D14/171
D655,276 S * 3/2012 Joseph D14/214
D675,596 S * 2/2013 Kusuki et al.
D676,413 S * 2/2013 Poandl D14/171

D710,819 S * 8/2014 Poandl D14/171
D713,380 S * 9/2014 Kim D14/209.1
D730,865 S * 6/2015 Holzer D14/171
D739,845 S * 9/2015 Hwang D14/214
D751,527 S * 3/2016 Hinokio D14/204
D819,597 S * 6/2018 Hu D14/214

OTHER PUBLICATIONS

Is this Sony SRS-LSR100 a wireless speaker or TV remote control?, Aug. 26, 2015, [retrieved Dec. 2, 2021], Retrieved from Internet, URL: <<https://www.pocket-lint.com/speakers/news/sony/135043-is-this-sony-srs-lsr100-a-wireless-speaker-or-tv-remote-control>> (Year: 2015).*

Review: Sony SRS-LSR200—Wireless Speaker, Aug. 26, 2020, [retrieved Dec. 2, 2021], Retrieved from Internet, URL: <<https://allhomecinema.com/review-sony-srs-lsr200-wireless-speaker-for-televisions-aug-2020/?id=18511167427>> (Year: 2020).*

Sony SRS-LSR200 Wireless Handy TV Speaker Review, Oct. 30, 2020, [retrieved Dec. 2, 2021], Retrieved from Internet, URL: <<https://www.trustedreviews.com/reviews/sony-srs-lsr200-wireless-handy-tv-speaker>> (Year: 2020).*

Sony unveils wireless speaker . . . , Feb. 12, 2020, [retrieved Dec. 2, 2021], Retrieved from Internet, URL: <<https://www.slashgear.com/sony-unveils-wireless-speaker-with-a-built-in-tv-remote-12609653/>> (Year: 2020).*

Sony's latest portable speaker . . . , Feb. 13, 2020, [retrieved Dec. 2, 2021], Retrieved from Internet, URL: <<https://www.techspot.com/news/83999-sony-latest-portable-speaker-comes-built-remote-control.html>> (Year: 2020).*

This Sony remote control for TVs is also a portable speaker, Feb. 12, 2020, [retrieved Dec. 2, 2021], Retrieved from Internet, URL: <<https://www.theverge.com/2020/2/12/21134369/sony-remote-control-speaker-combo-price-date>> (Year: 2020).*

* cited by examiner

FIG.1

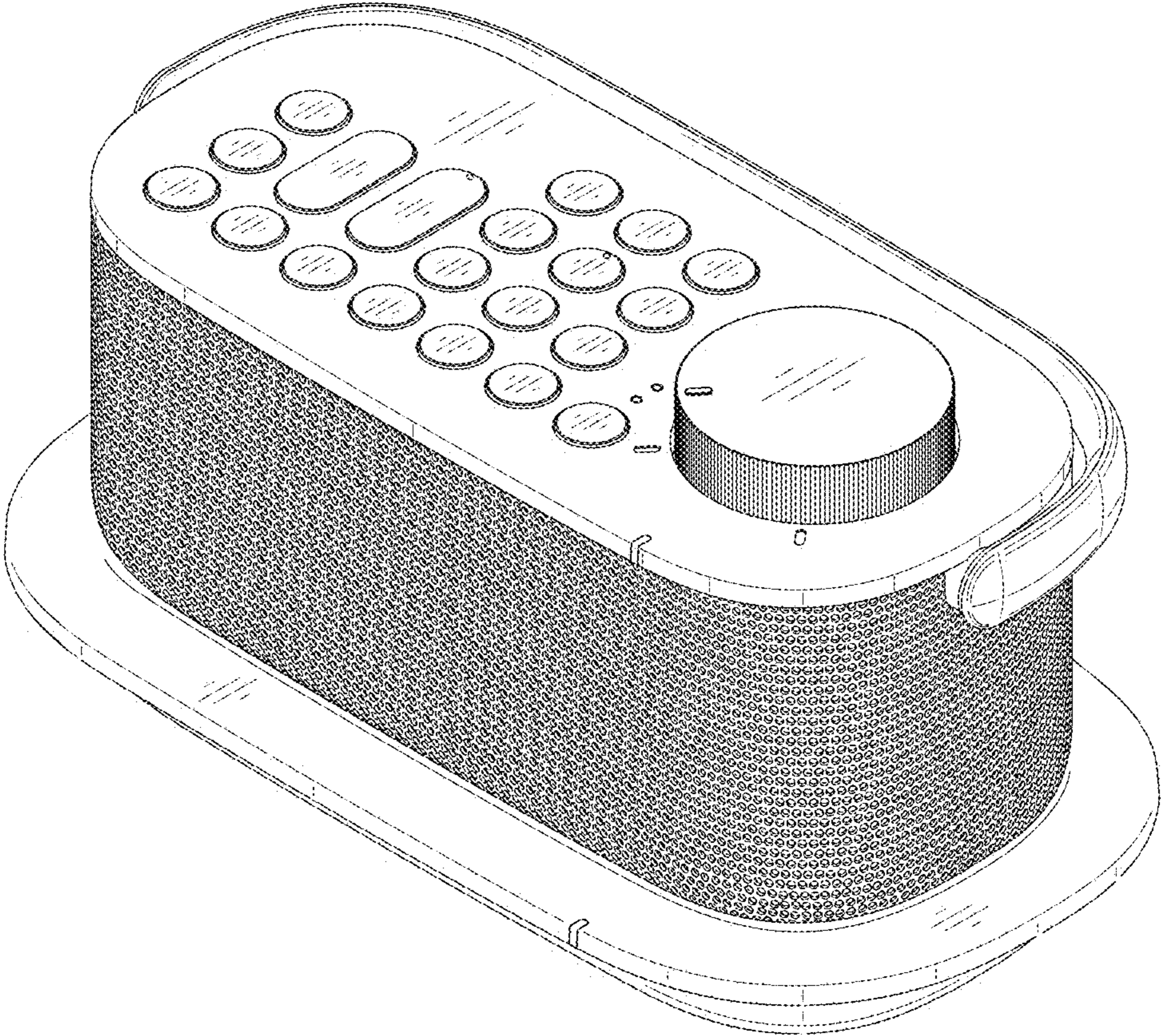


FIG.2

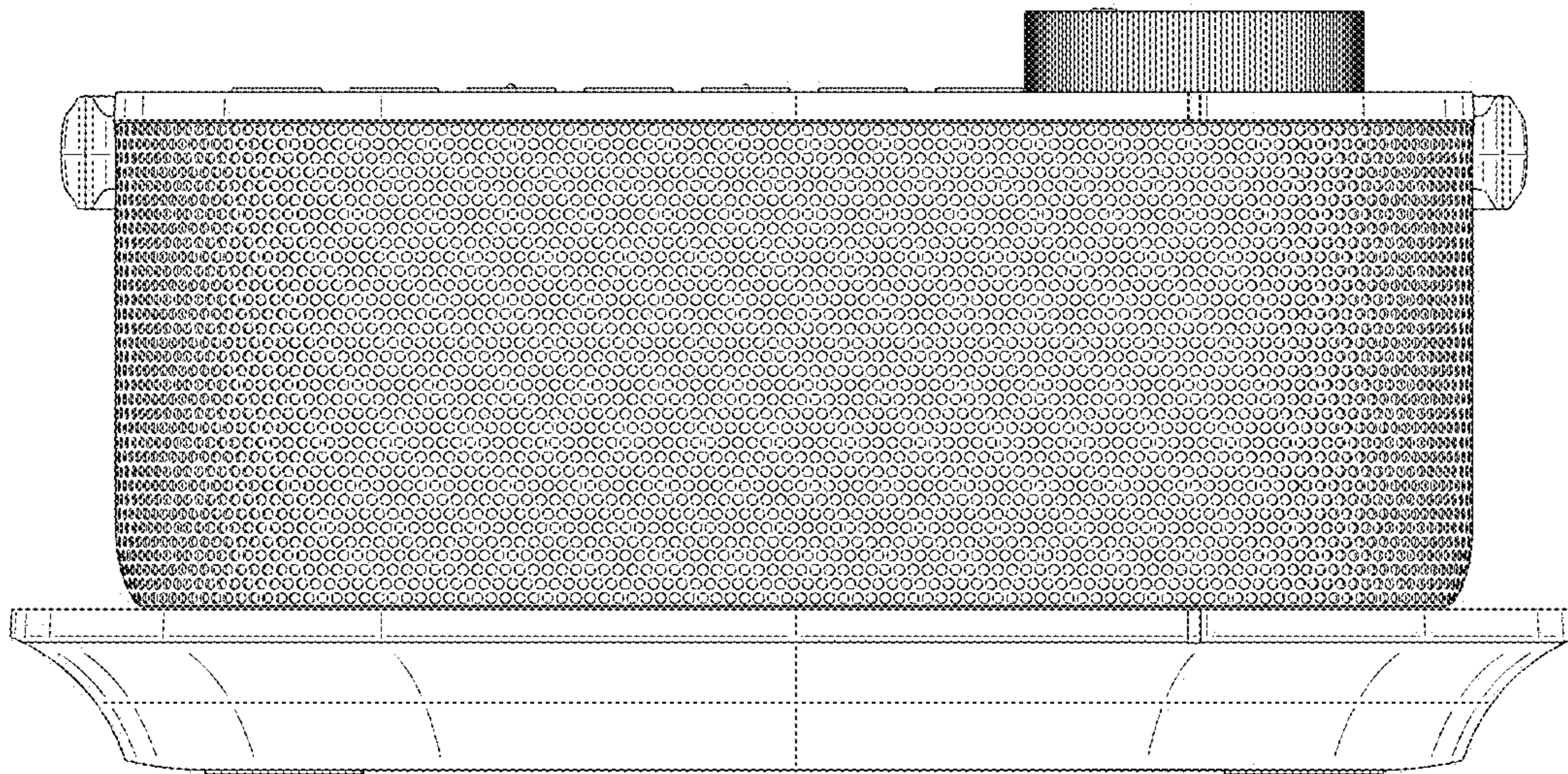


FIG.3

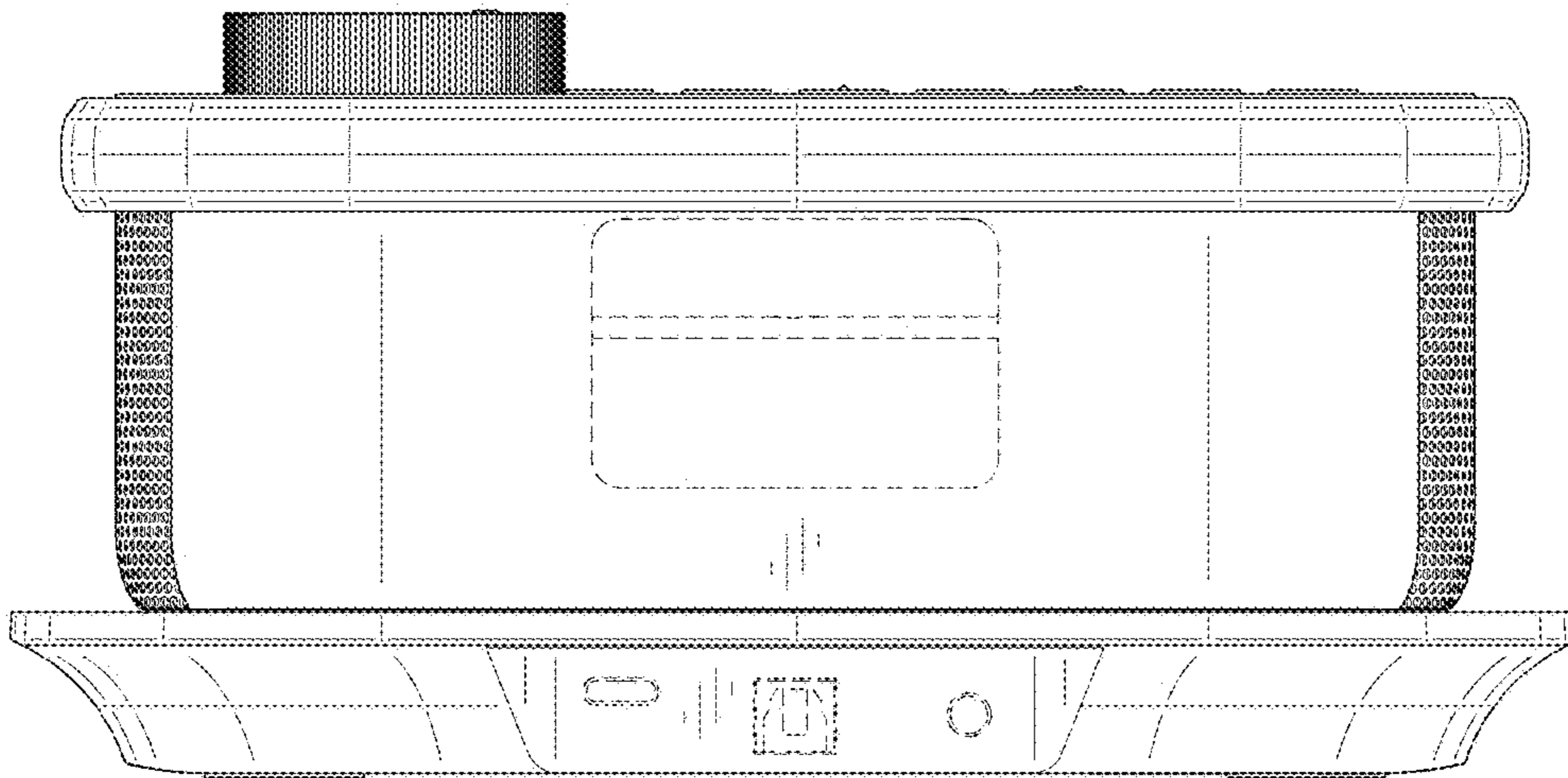


FIG.4

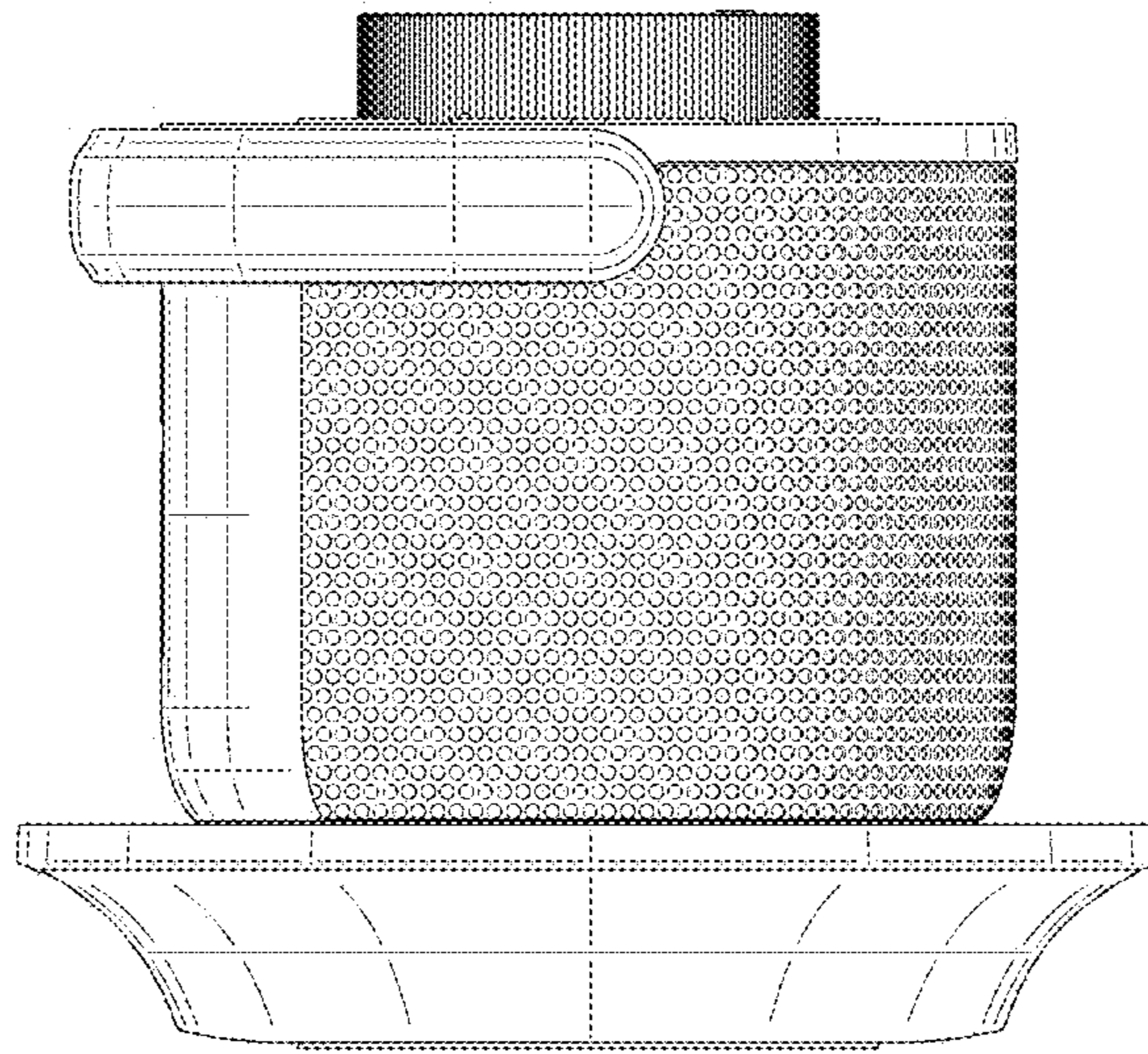


FIG.5

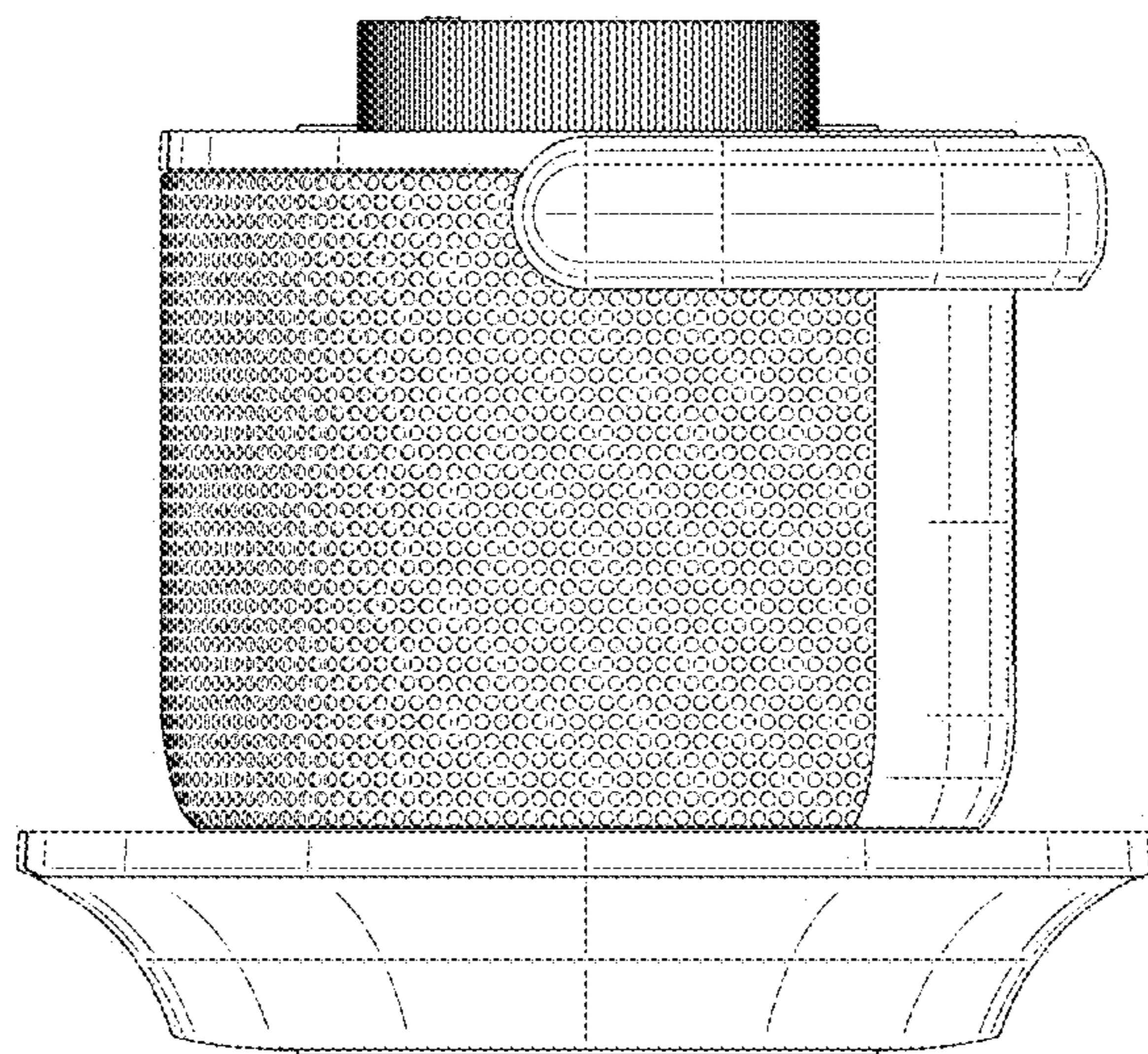


FIG.6

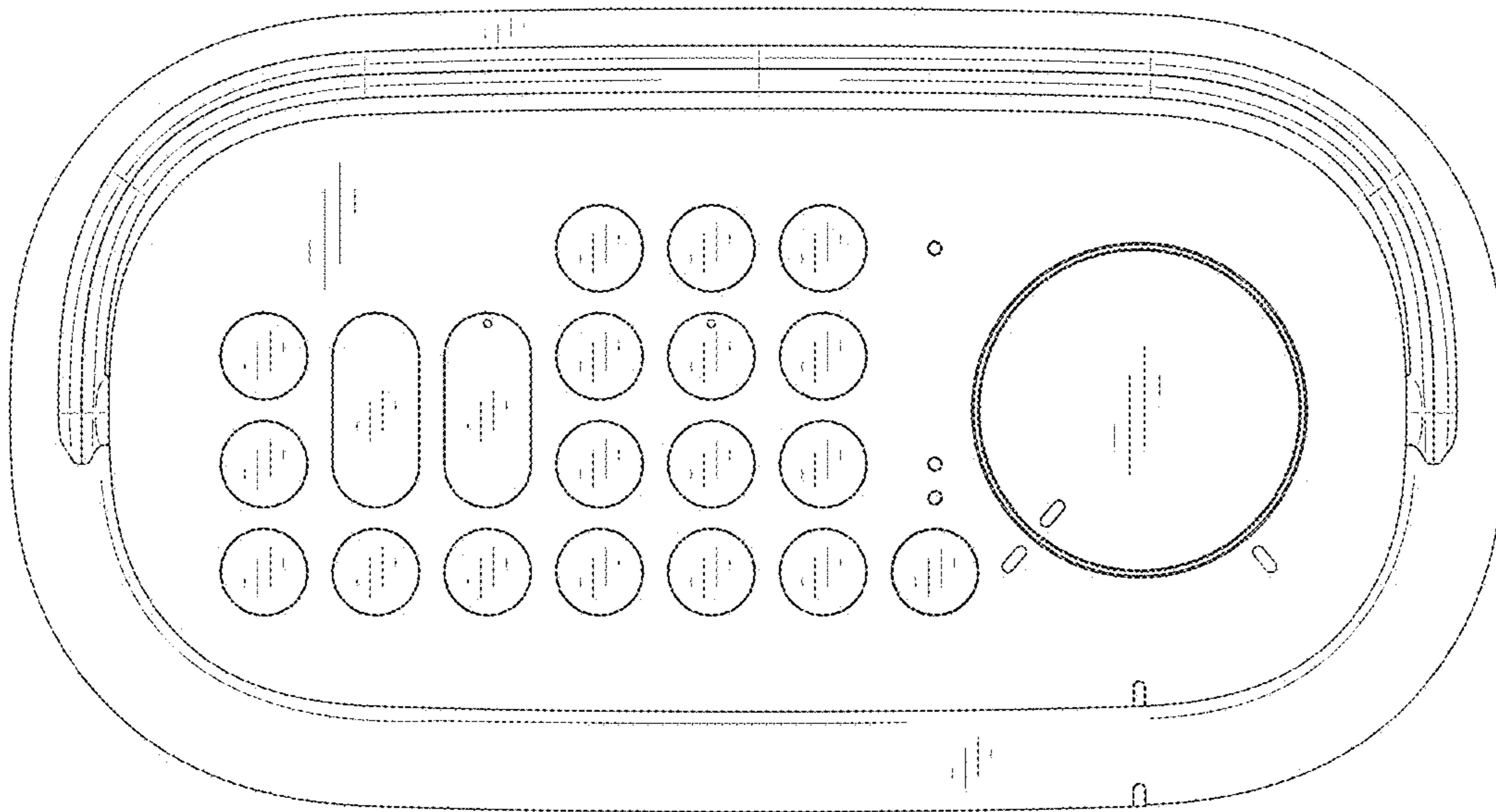


FIG.7

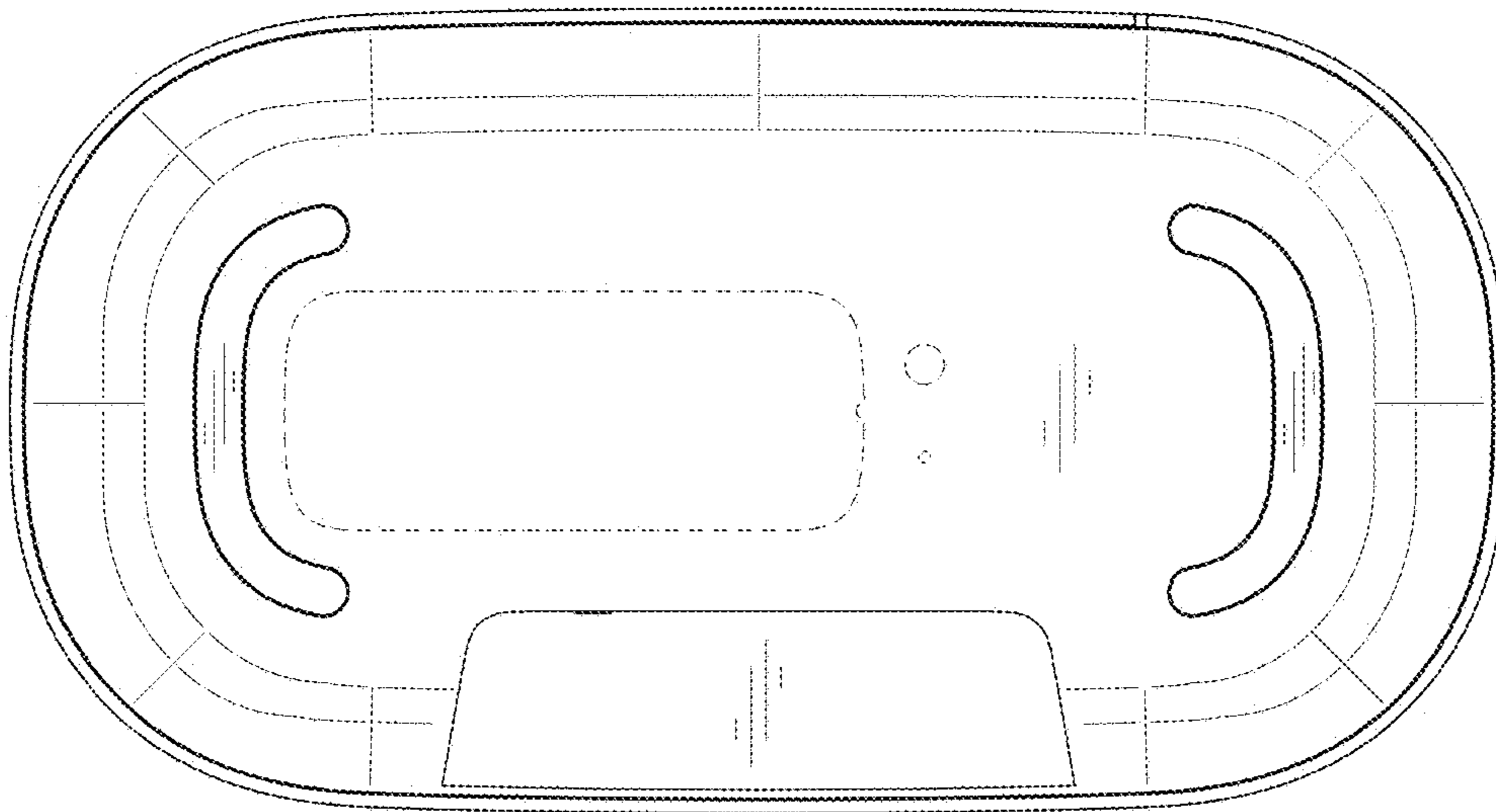


FIG.8

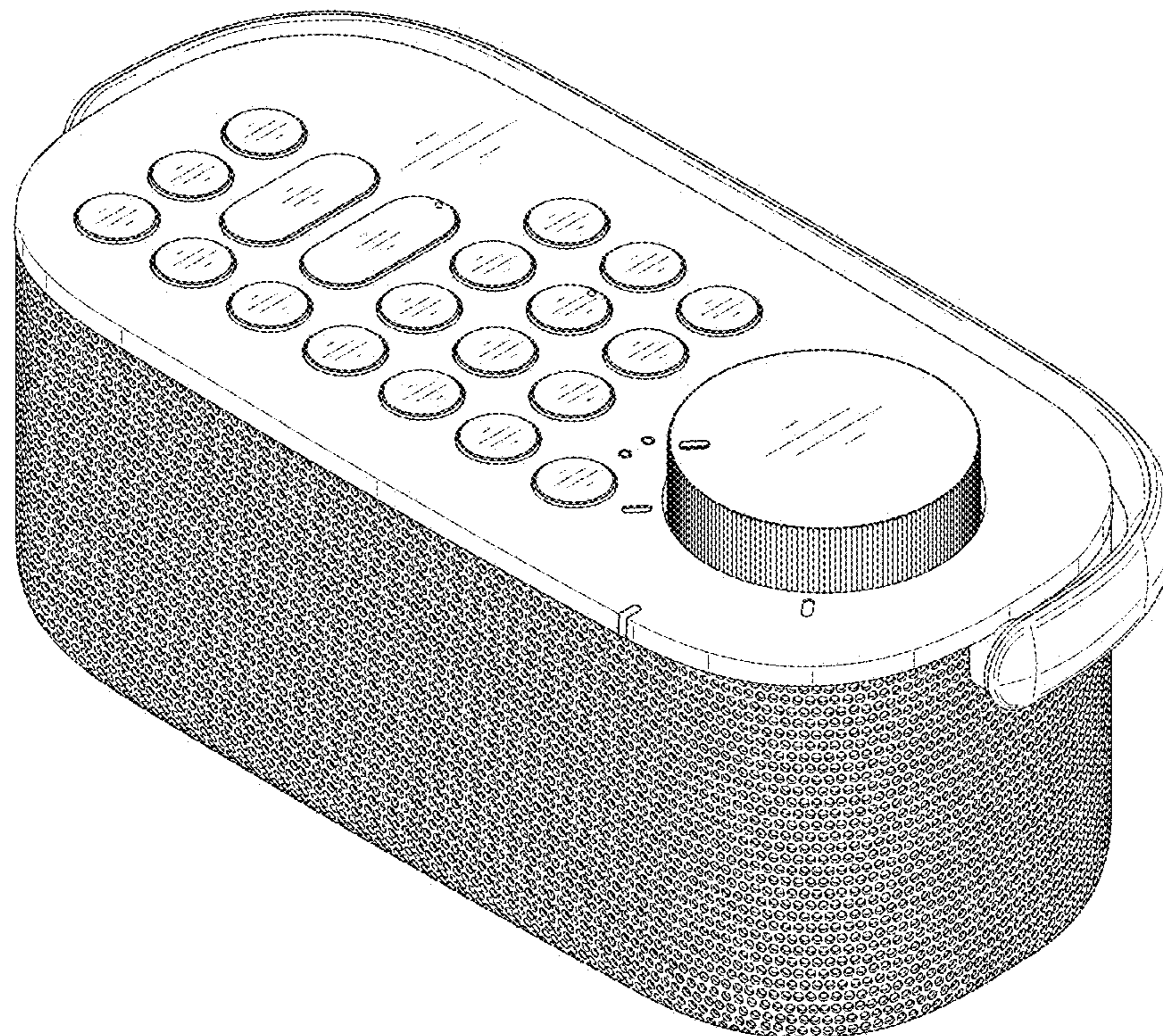


FIG.9

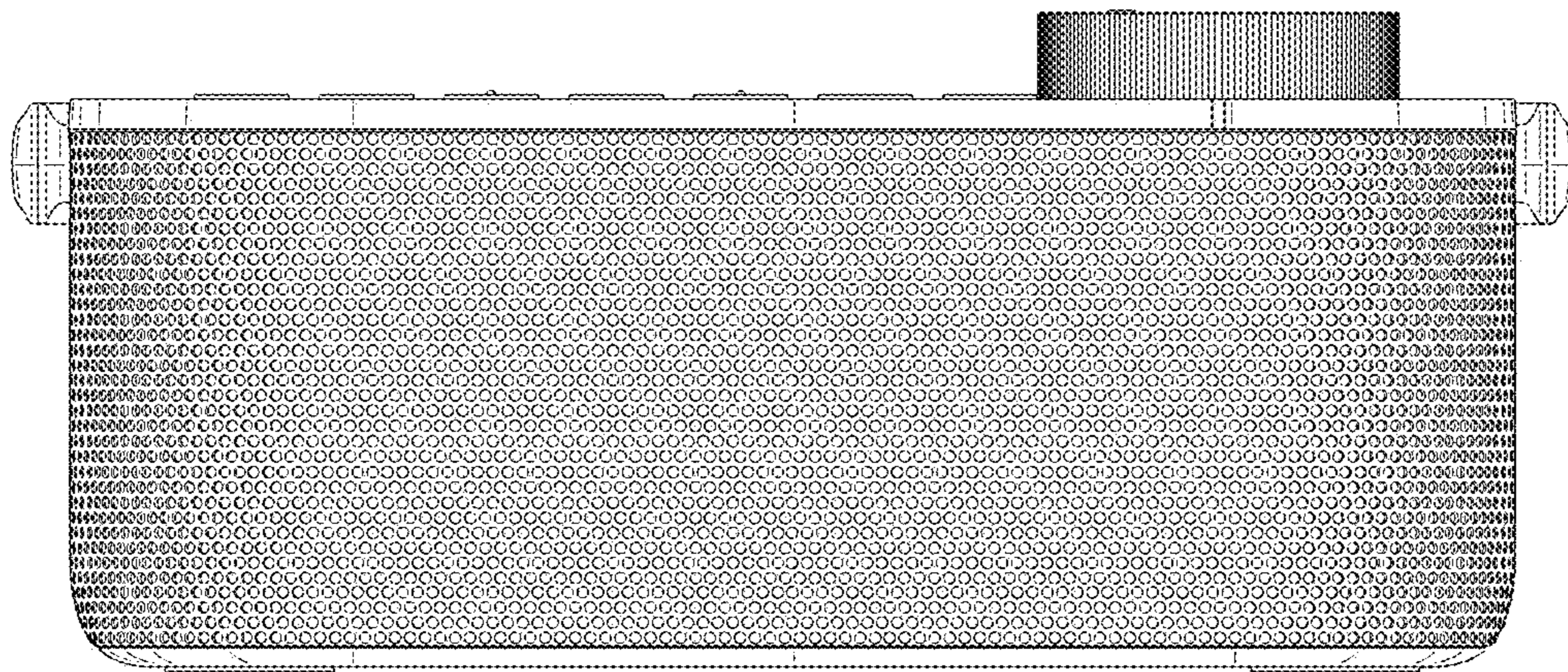


FIG.10

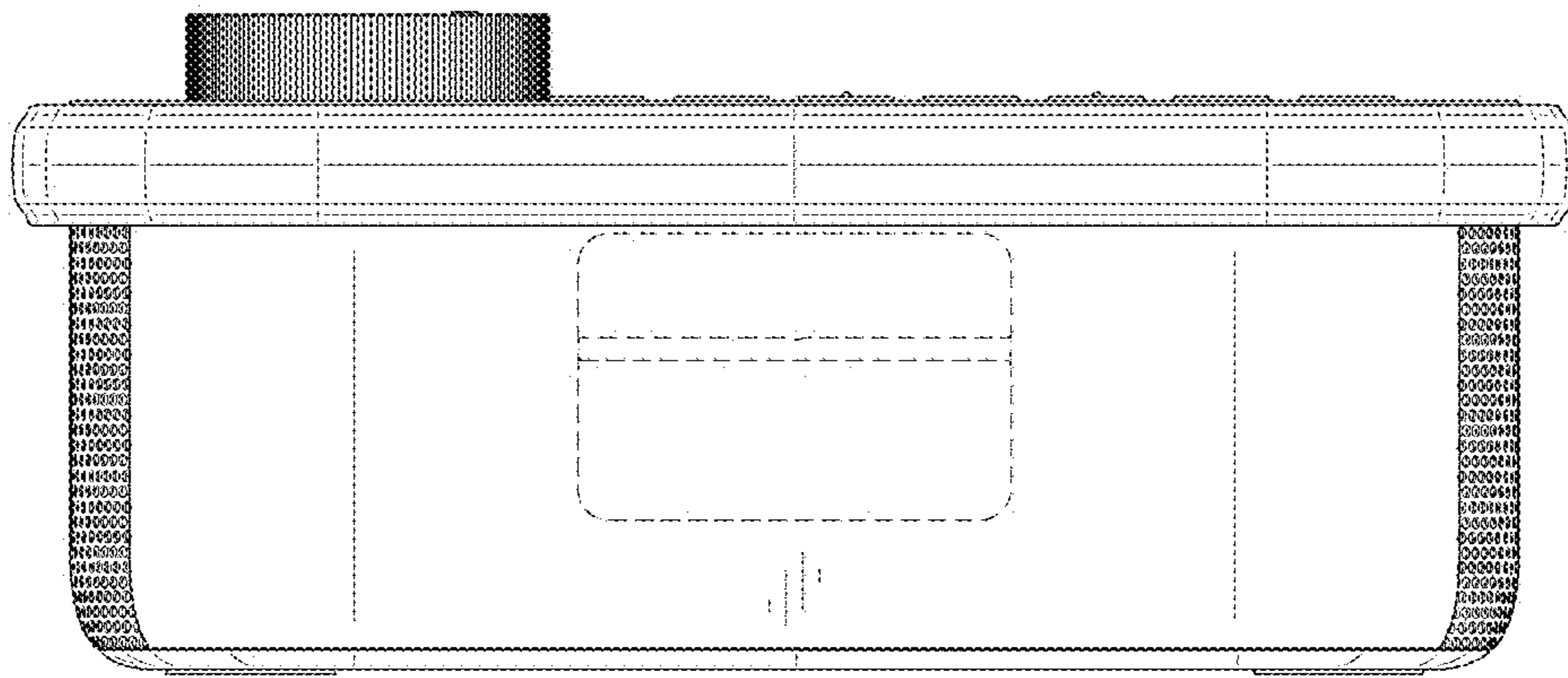


FIG.11

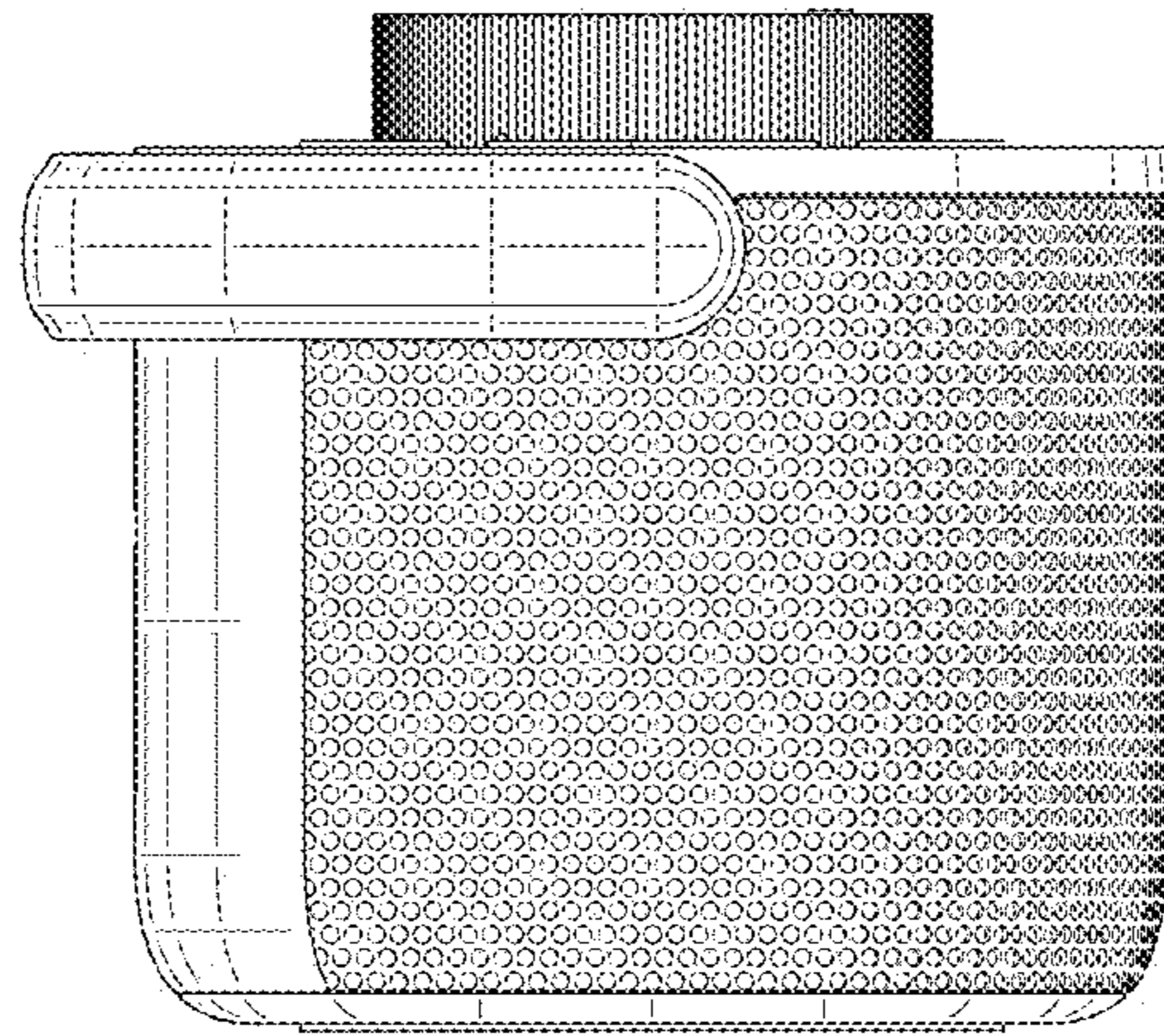


FIG.12

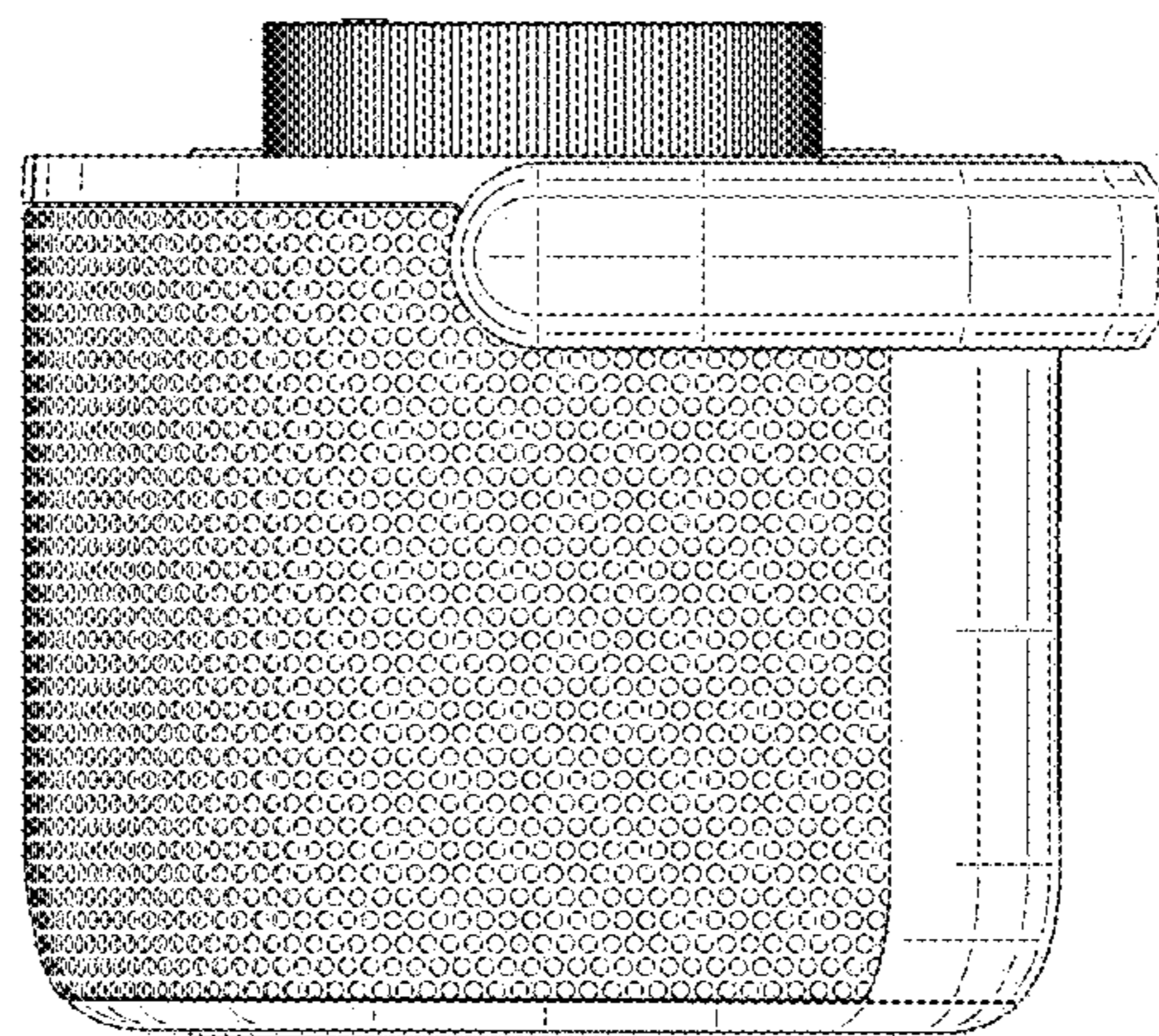


FIG.13

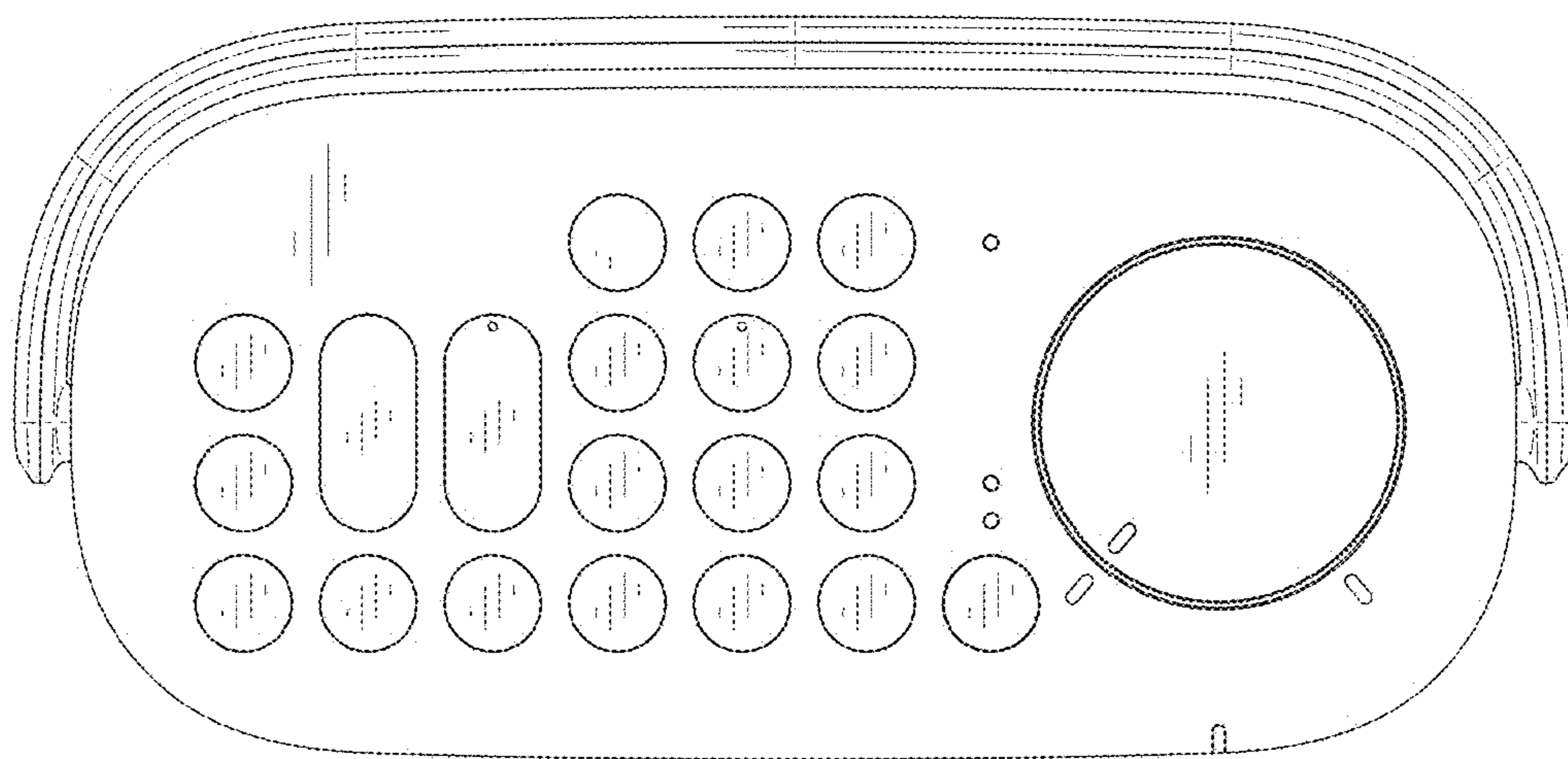


FIG.14

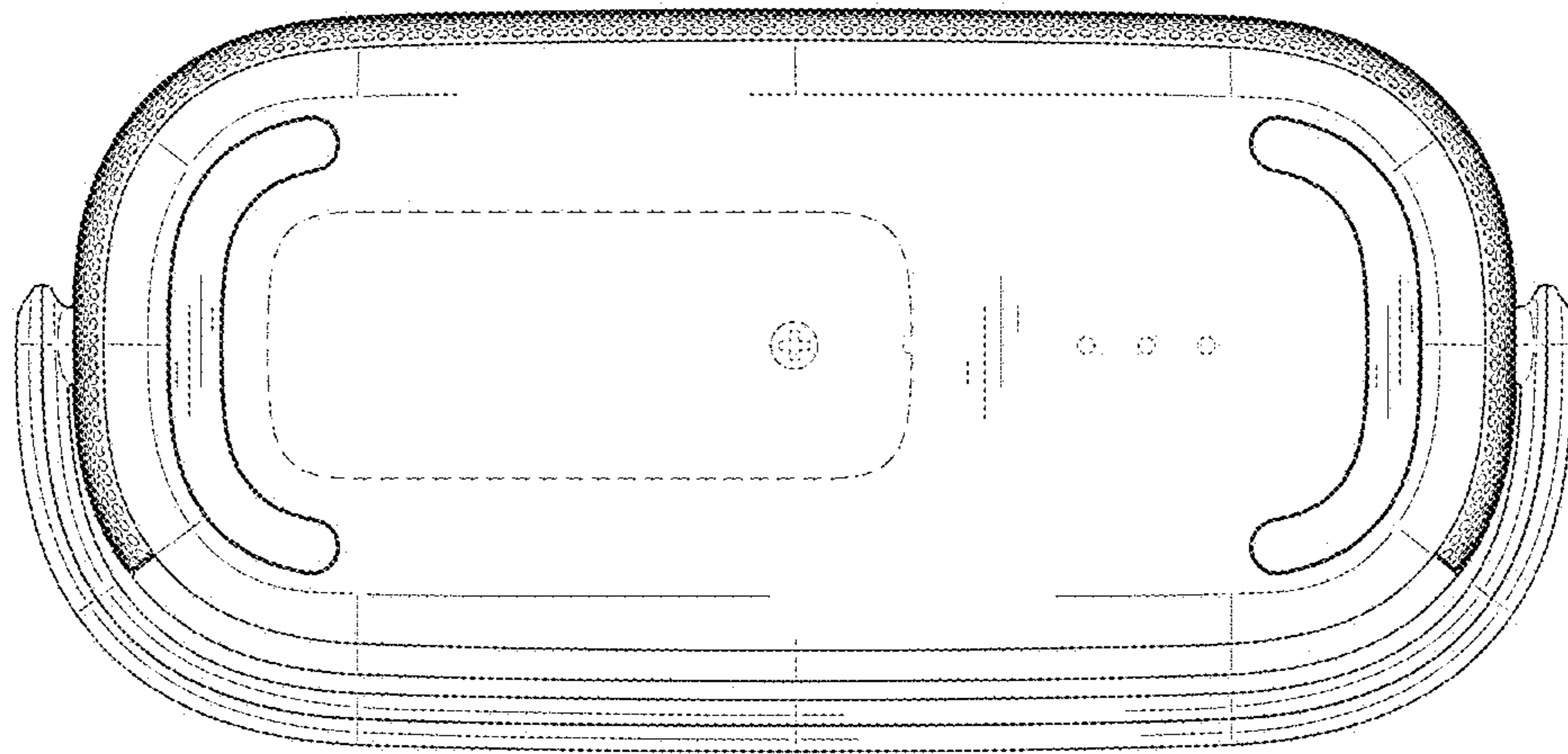


FIG.15

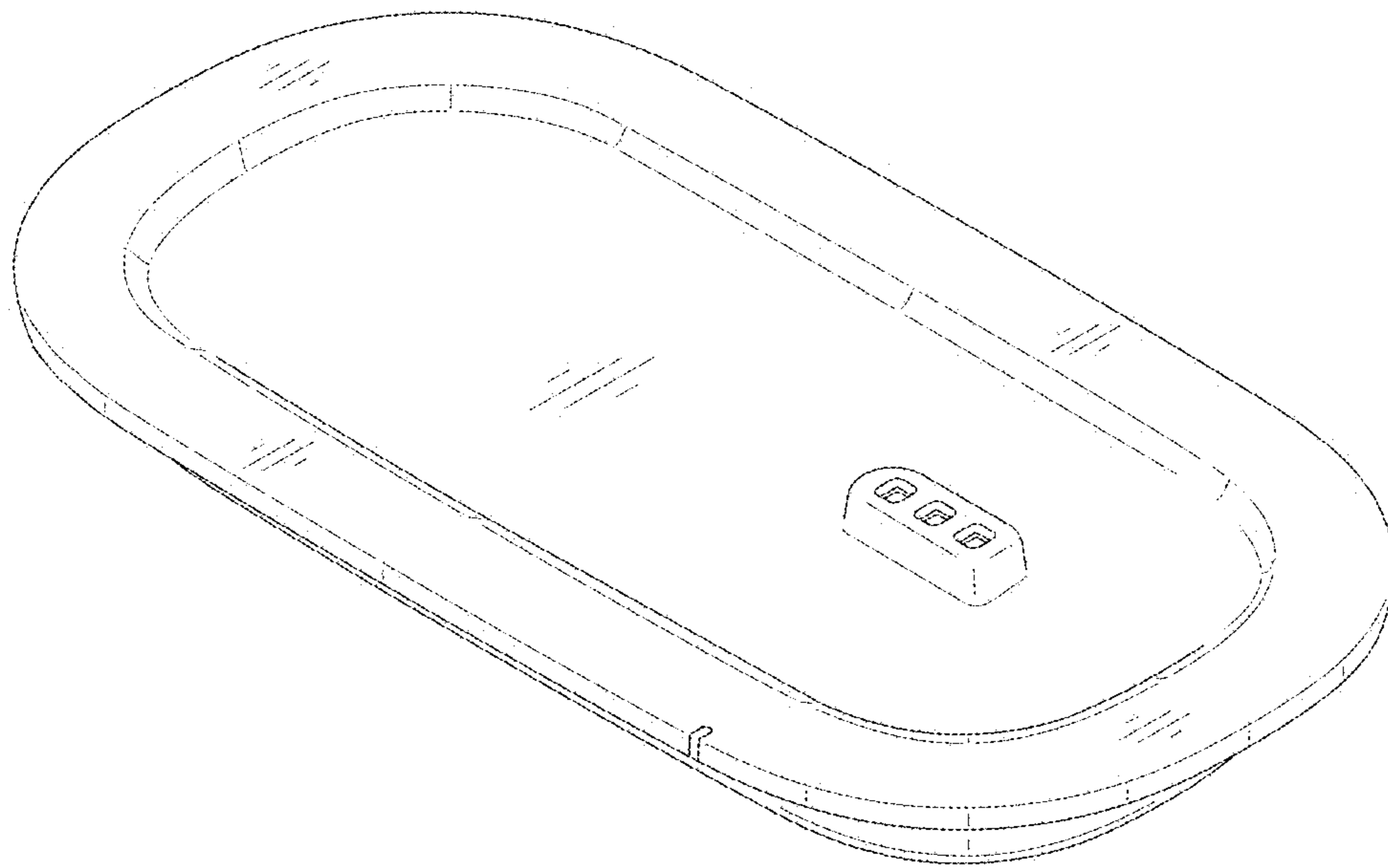


FIG.16

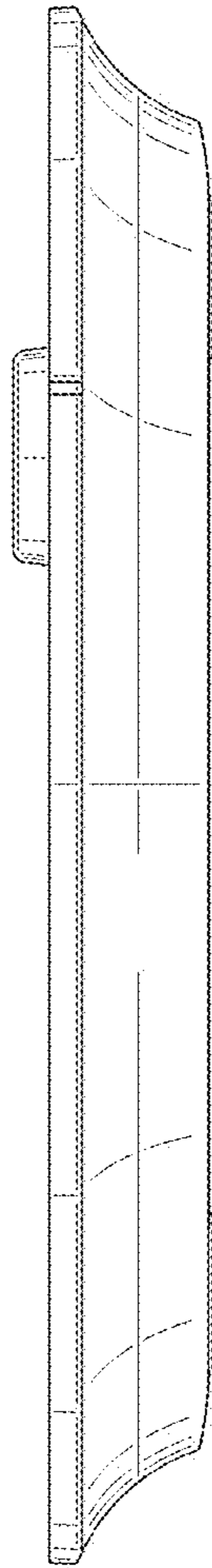


FIG.17

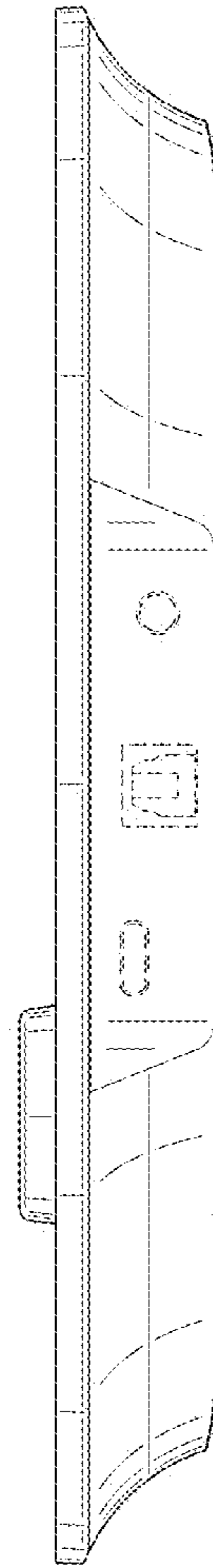


FIG.18

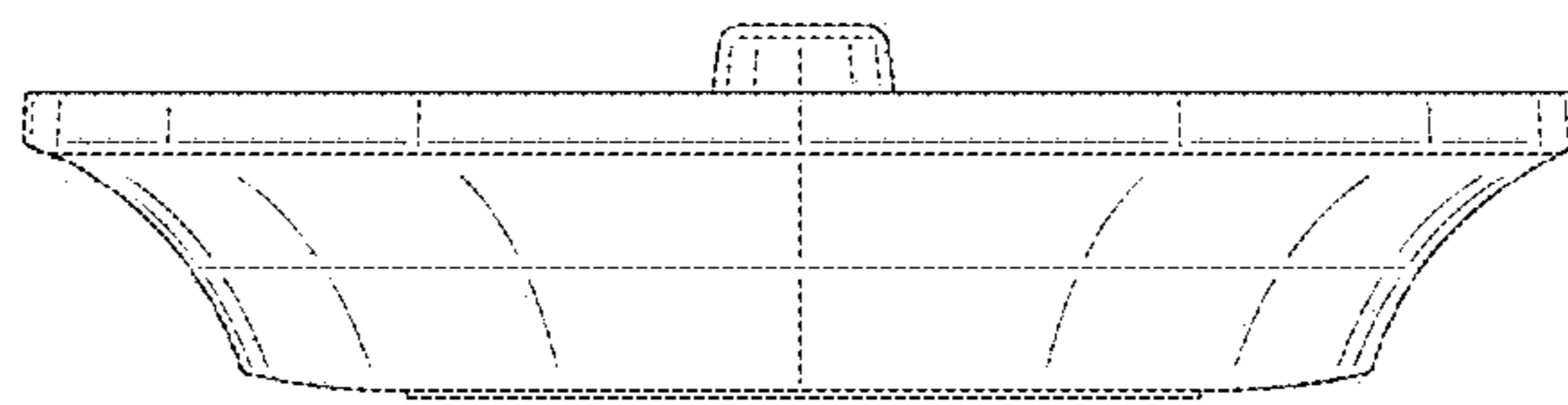


FIG.19

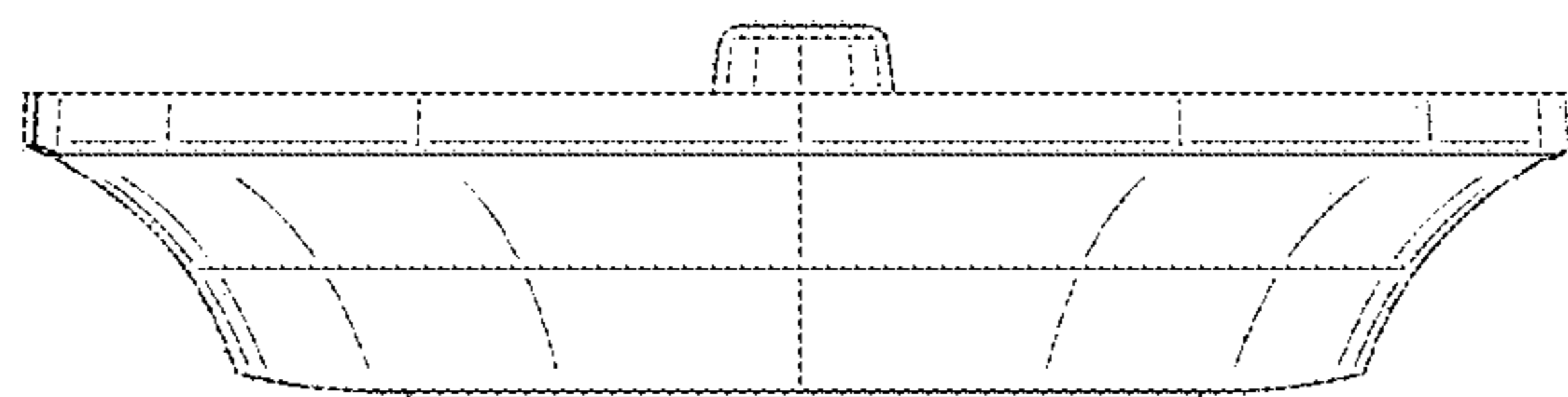


FIG.20

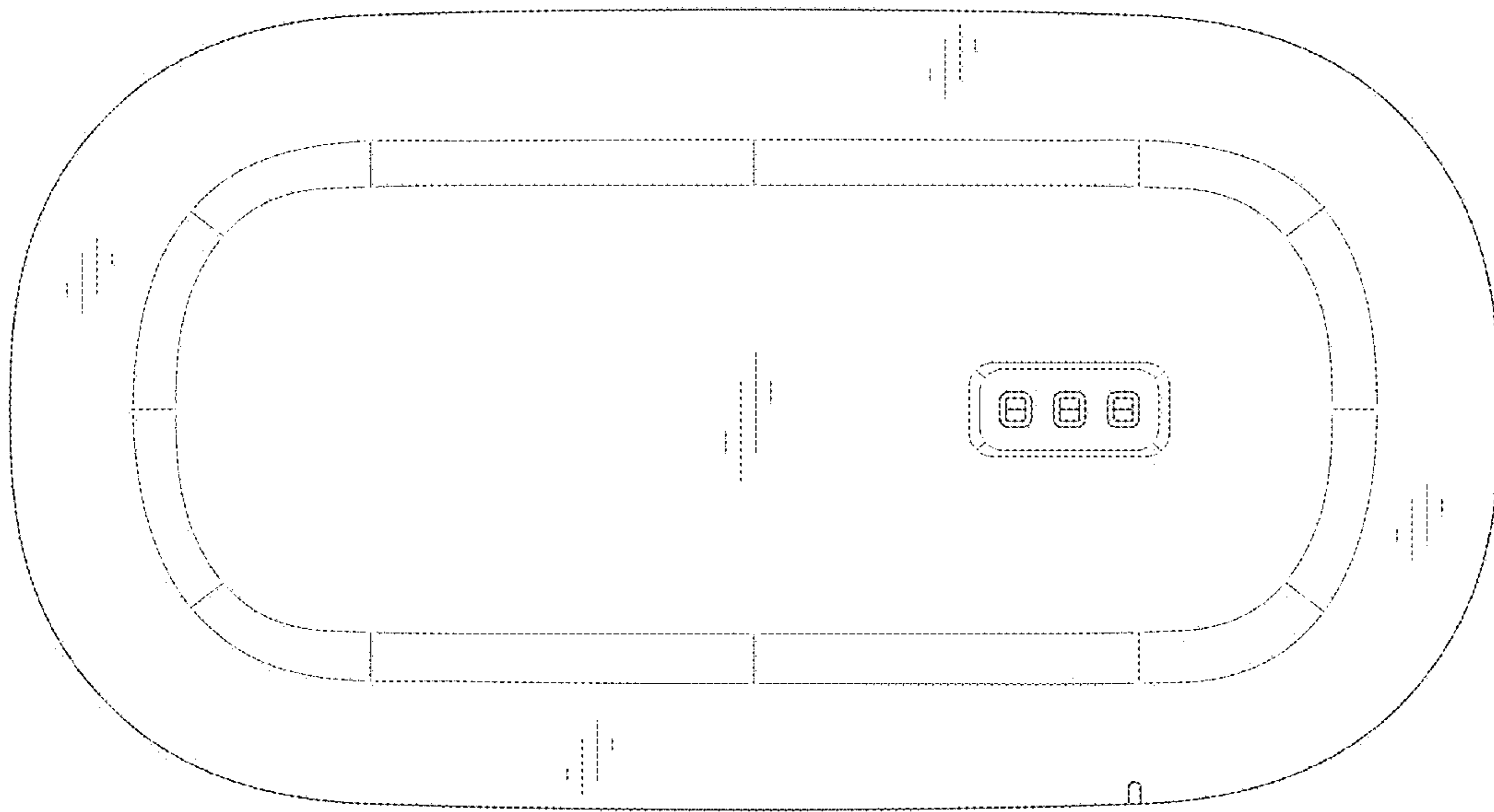


FIG.21

