



US00D958102S

(12) **United States Design Patent** (10) **Patent No.:** **US D958,102 S**
Yu (45) **Date of Patent:** **** Jul. 19, 2022**

(54) **MOBILE PHONE**

FOREIGN PATENT DOCUMENTS

(71) Applicant: **GUANGDONG OPPO MOBILE TELECOMMUNICATIONS CORP., LTD.**, Guangdong (CN)

CN 304903720 * 11/2018
IN 300088-0001 * 2/2019

(72) Inventor: **Sheng-Po Yu**, Guangdong (CN)

OTHER PUBLICATIONS

(73) Assignee: **GUANGDONG OPPO MOBILE TELECOMMUNICATIONS CORP., LTD.**, Dongguan (CN)

Oppo RX17 Pro, www.express.co.uk, Nov. 8, 2018. <https://www.express.co.uk/life-style/science-technology/1042044/OPPO-RX17-Pro-hands-on-OnePlus-6T-rival> (Year: 2018).*

(Continued)

(**) Term: **15 Years**

Primary Examiner — Llorelys Martinez

(21) Appl. No.: **29/727,880**

Assistant Examiner — Kwabena A. Ankobiah

(22) Filed: **Mar. 13, 2020**

(74) *Attorney, Agent, or Firm* — Young Basile Hanlon & MacFarlane, P.C.

(30) **Foreign Application Priority Data**

(57) **CLAIM**

Sep. 20, 2019 (CN) 201930518173.6

The ornamental design for a mobile phone, as shown and described.

(51) **LOC (13) Cl.** **14-03**

DESCRIPTION

(52) **U.S. Cl.**

USPC **D14/138 G**

(58) **Field of Classification Search**

USPC D14/496, 138 R, 138 AA, 138 AB, D14/138 AC, 138 AD, 138 C, 138 G, D14/203.1, 203.3, 203.4, 203.7, 212, 248, D14/299, 341, 348, 426, 439, 505, 506, D14/507; D16/101, 203, 207, 210, 330, D16/334; D26/25, 34, 35, 36
CPC G06F 3/041; G06F 3/0412; G06F 3/0488; G06F 3/04883; G06F 1/1613; G06F 1/1686; G06F 1/1626; G06F 1/1692; G06F

(Continued)

FIG. 1 is a front, right perspective view of a mobile phone, showing my new design;
FIG. 2 is a rear, left perspective view thereof;
FIG. 3 is a front view thereof;
FIG. 4 is a rear view thereof;
FIG. 5 is a left side view thereof;
FIG. 6 is a right side view thereof;
FIG. 7 is a top view thereof;
FIG. 8 is a bottom view thereof;
FIG. 9 is a partial enlarged view of the portion 9 encircled in FIG. 2; and,
FIG. 10 is a partial enlarged view of the portion 10 encircled in FIG. 5.

(56) **References Cited**

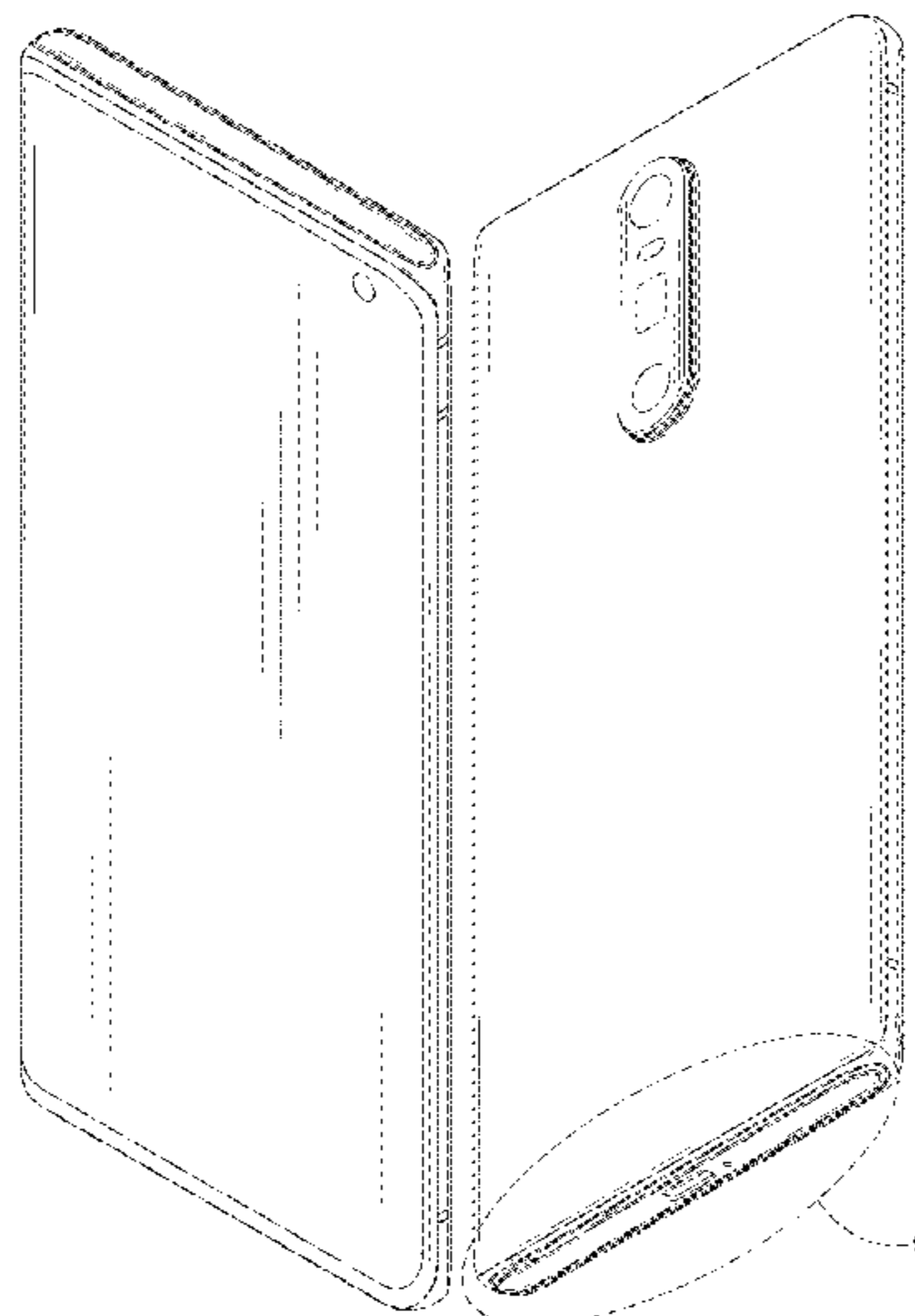
U.S. PATENT DOCUMENTS

D629,798 S * 12/2010 Arie D14/341
D631,458 S * 1/2011 Liao D14/138 G

(Continued)

The broken lines in FIGS. 2, 8, and 9 depict portions of the mobile phone that form no part of the claimed design. The broken lines encircling a portion of the mobile phone in FIGS. 2, 5, 9, and 10 are included to show a partially enlarged view only and form no part of the claimed design.

1 Claim, 9 Drawing Sheets



(58) **Field of Classification Search**

CPC 2200/1633; H04M 1/0283; H04M 1/0279;
 H04M 1/0202; H04M 1/0266; H04M
 1/027; H04N 13/128; H04N 13/239;
 H04N 13/243; H04N 13/271; H04N
 13/302; H04N 13/398; H04N 5/2551;
 H04N 5/2252; H04N 5/2254; H04N
 5/2258; H04N 5/247; H04N 5/23222;
 G02B 7/02; G02B 7/021; G02B 7/12;
 G02B 7/04; G02B 7/14; G03B 15/03;
 G03B 17/12

See application file for complete search history.

(56) **References Cited**

U.S. PATENT DOCUMENTS

D636,752 S * 4/2011 Liao D14/138 G
 D692,845 S * 11/2013 Cho D14/138 G
 D692,846 S * 11/2013 Lee D14/138 G
 D724,044 S * 3/2015 Reivo D14/138 G
 D749,551 S * 2/2016 Mitchell D14/248
 D770,409 S * 11/2016 Jing D14/138 G
 D781,804 S * 3/2017 Park D14/138 G
 D785,587 S * 5/2017 Kim D14/138 G
 D788,728 S * 6/2017 Kim D14/138 AA
 D790,497 S * 6/2017 Kim D14/138 AA
 D791,728 S * 7/2017 Park G06F 3/0484
 D14/138 G
 D801,293 S * 10/2017 Choo G06F 1/1626
 D14/138 G
 D810,714 S * 2/2018 Shin H04M 1/0268
 D14/138 G
 D813,186 S * 3/2018 Lee D14/138 G
 D839,230 S * 1/2019 Ryu D14/138 G
 D890,113 S * 7/2020 Ma D14/138 G
 D901,418 S * 11/2020 Ma D14/138 G

D914,631 S * 3/2021 Mu D14/138 G
 D915,330 S * 4/2021 Kim D14/138 G
 D915,332 S * 4/2021 Ryu D14/138 G
 D921,602 S * 6/2021 Wang D14/138 C
 D924,216 S * 7/2021 Ryu D14/248
 D924,217 S * 7/2021 Ryu D14/248
 D924,218 S * 7/2021 Son D14/248
 D928,109 S * 8/2021 Liu D14/138 G
 D947,804 S * 4/2022 McPhail D14/138 AA
 2018/0267390 A1 * 9/2018 Kim H04N 5/2256
 2018/0348942 A1 * 12/2018 Park G06F 1/1626
 2019/0114044 A1 * 4/2019 Jiao G06F 3/0484
 2020/0371556 A1 * 11/2020 Zhao H04M 1/0268
 2021/0373705 A1 * 12/2021 Lee G06F 3/0446
 2021/0405819 A1 * 12/2021 Seo G06F 3/0443
 2022/0014190 A1 * 1/2022 Kim G06F 3/0414

OTHER PUBLICATIONS

Oppo RX17 Pro review, www.expertreviews.co.uk, Dec. 3, 2019. <https://www.expertreviews.co.uk/mobile-phones/1408492/oppo-rx17-pro-review#0> (Year: 2019).*

Oppo RX17 Pro UK review, www.techadvisor.com, Jan. 29, 2019. <https://www.techadvisor.com/review/oppo-rx17-pro-3686322/> (Year: 2019).*

Reno, the new notch-less Oppo phone, www.domusweb.it, Apr. 24, 2019. <https://www.domusweb.it/en/product-news/gallery/2019/04/24/-oppo-reno-the-notch-less-phone-with-ultra-powerful-camera.html> (Year: 2019).*

In Pics, www.moneycontrol.com, Mar. 6, 2019. <https://www.moneycontrol.com/news/photos/technology/gadgets/in-pics-all-screen-no-notch-and-pop-up-camera-check-out-the-oppo-f11-pro-3613071.html> (Year: 2019).*

Vivo V17 Pro Available in Singapore Now, www.techielobang.com, Nov. 16, 2019. <https://techielobang.com/blog/2019/11/16/vivo-v17-pro-available-in-singapore-now/> (Year: 2019).*

* cited by examiner

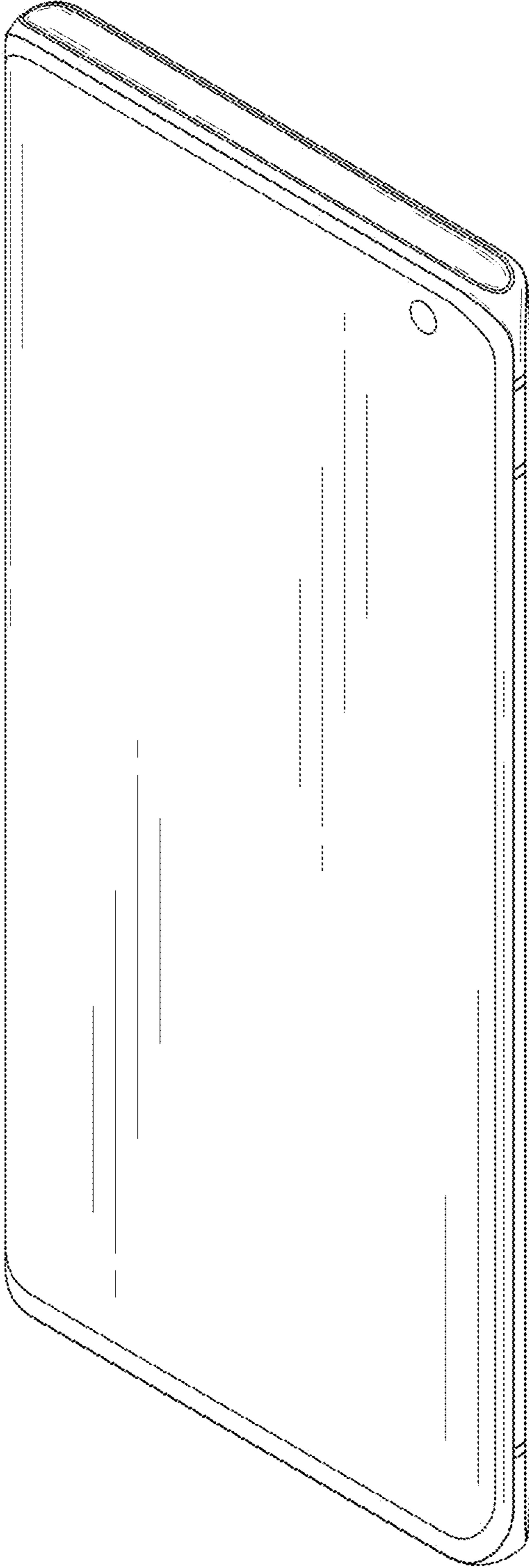


FIG. 1

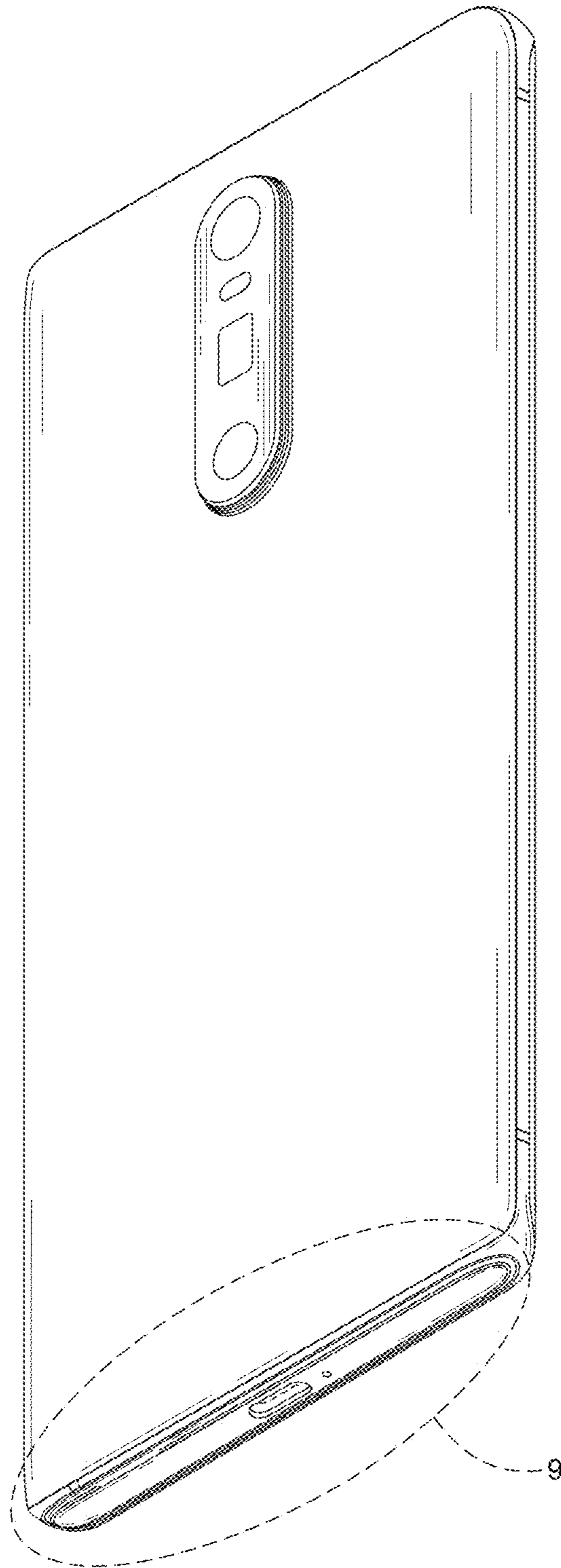


FIG. 2

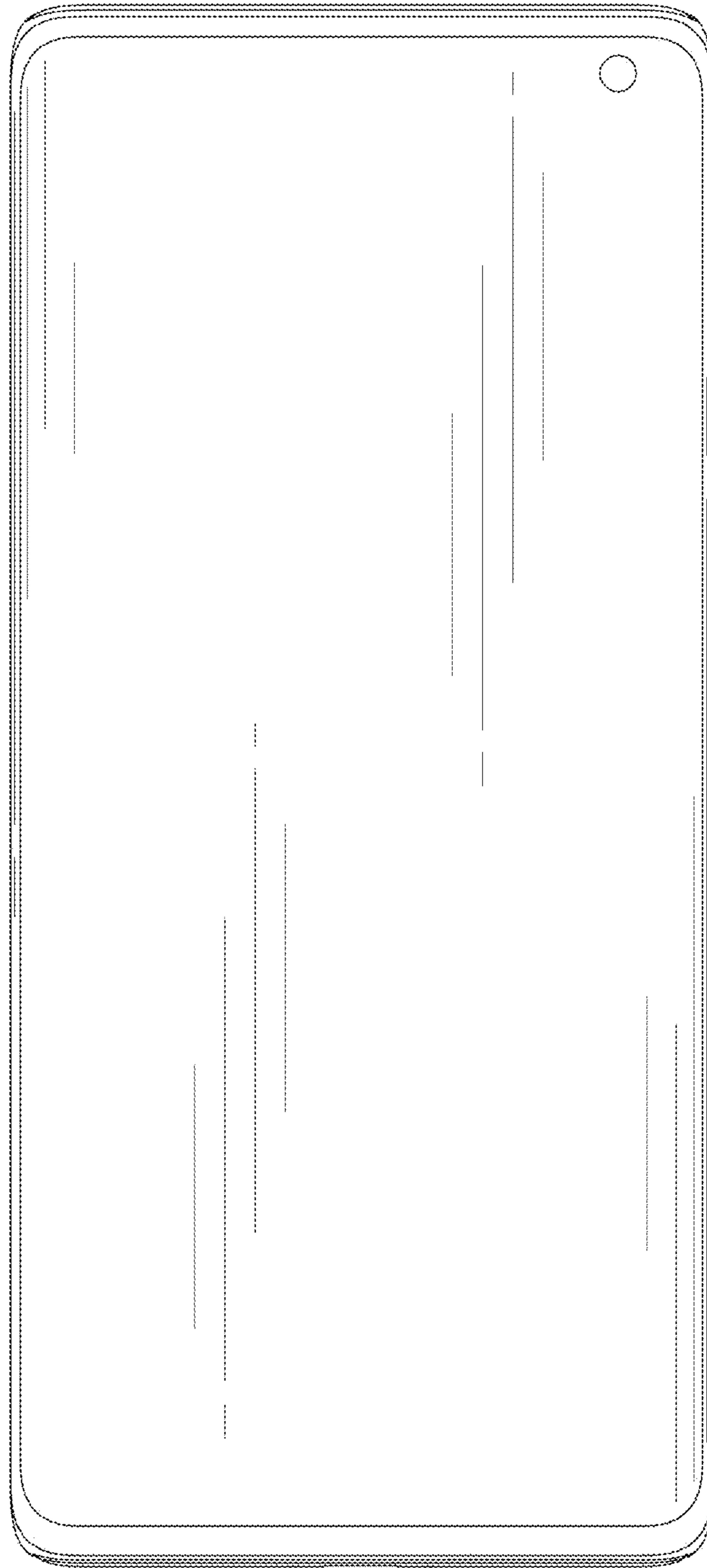


FIG. 3

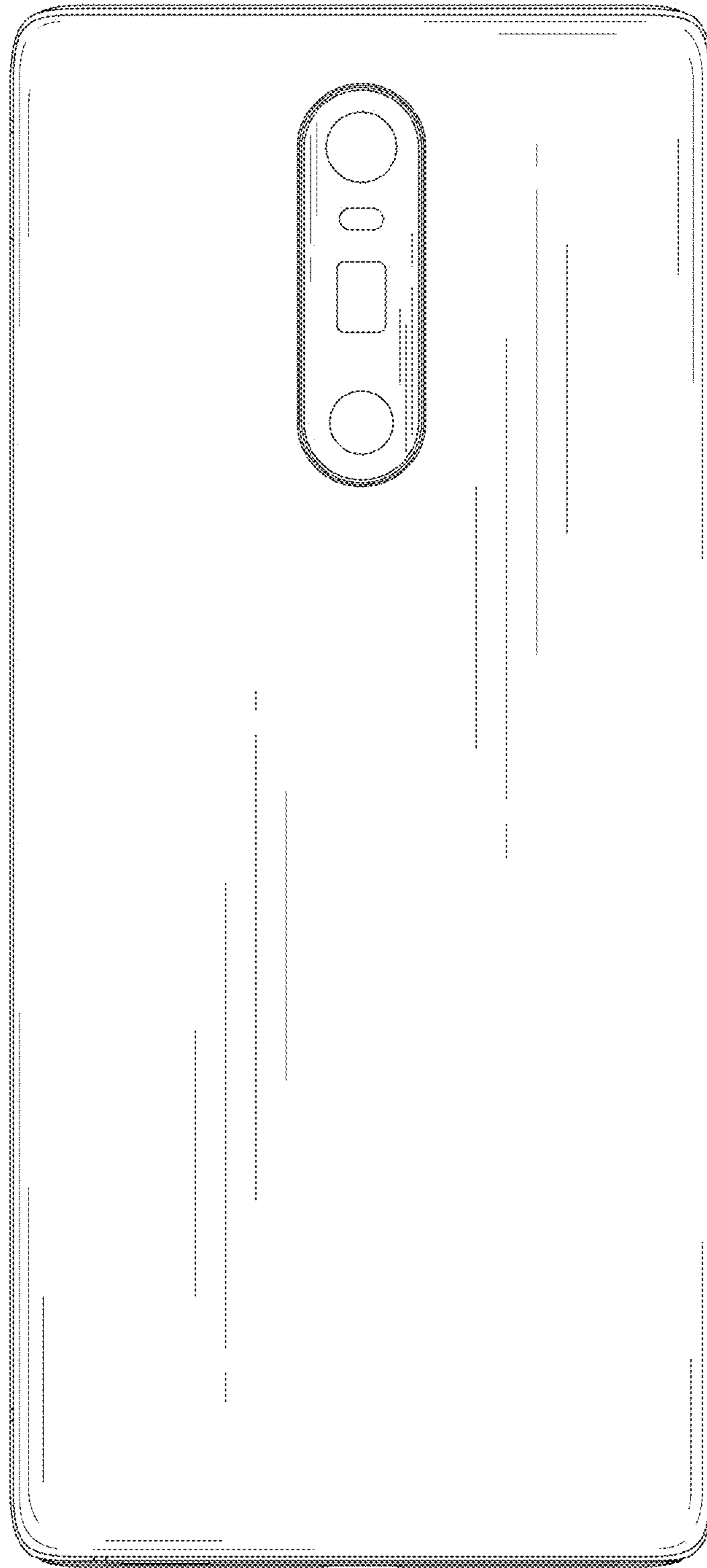


FIG. 4

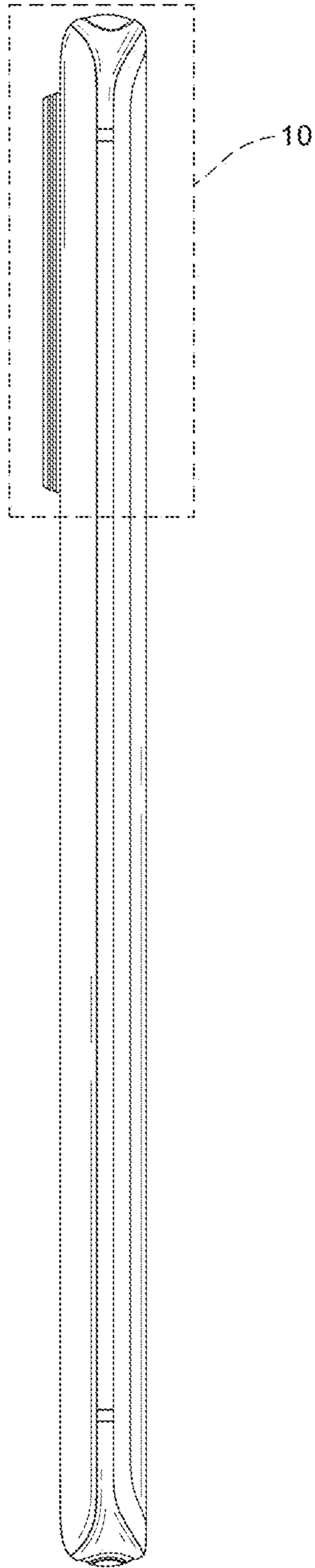


FIG. 5

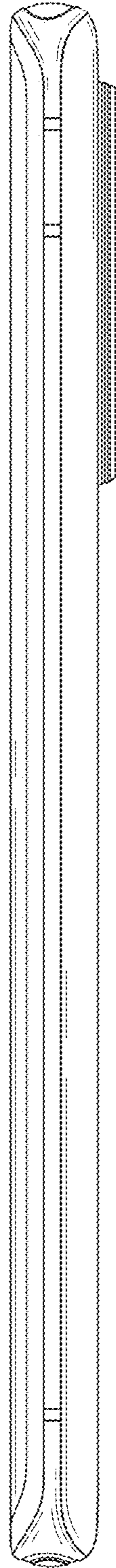


FIG. 6

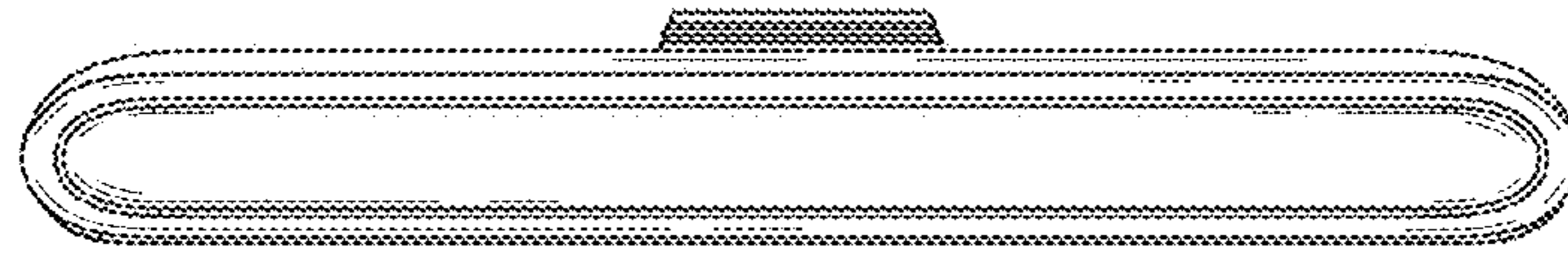


FIG. 7

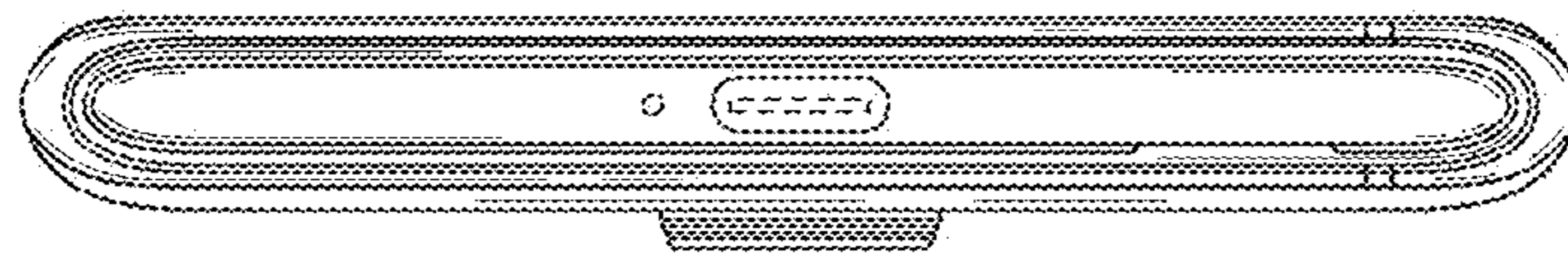


FIG. 8

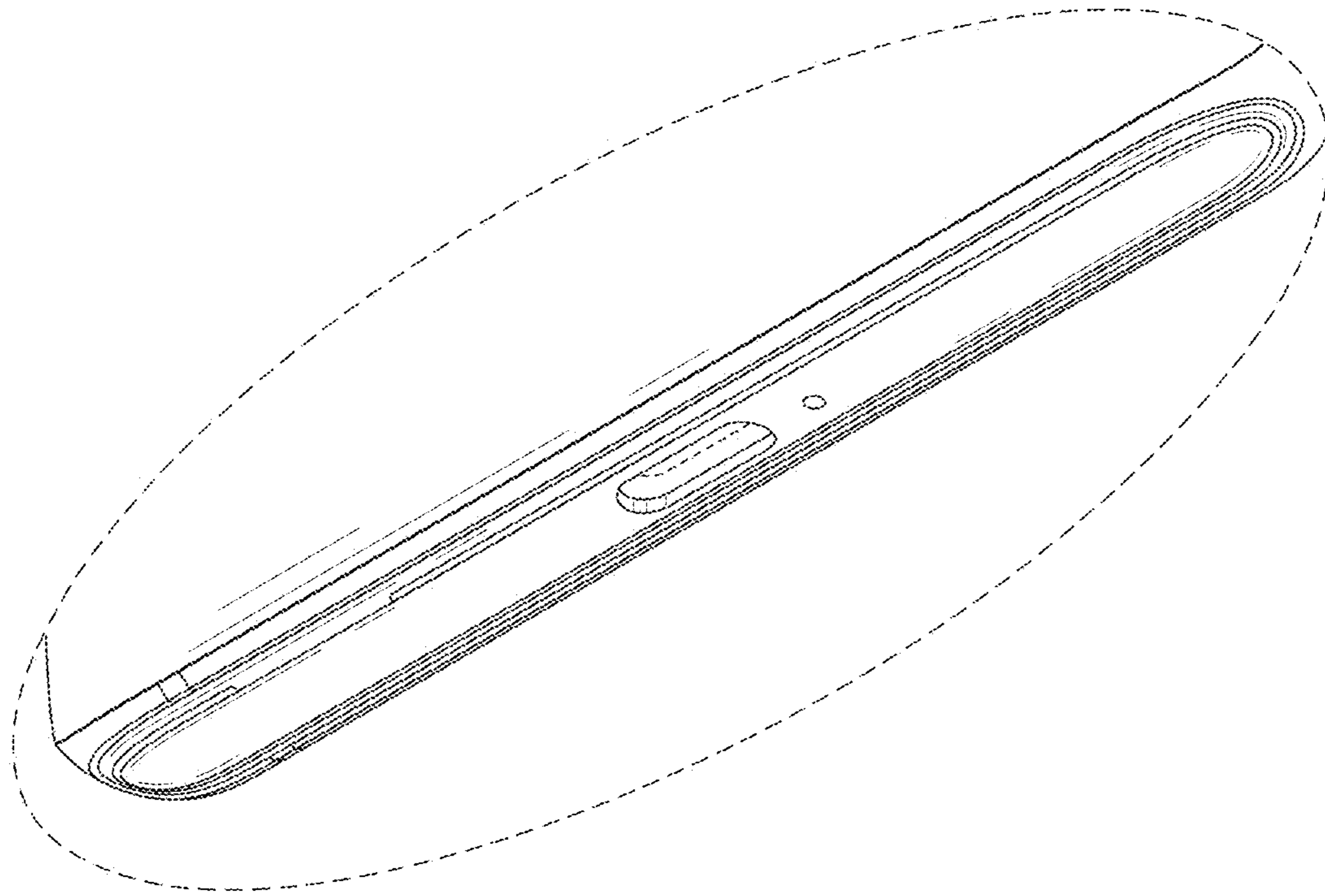


FIG. 9

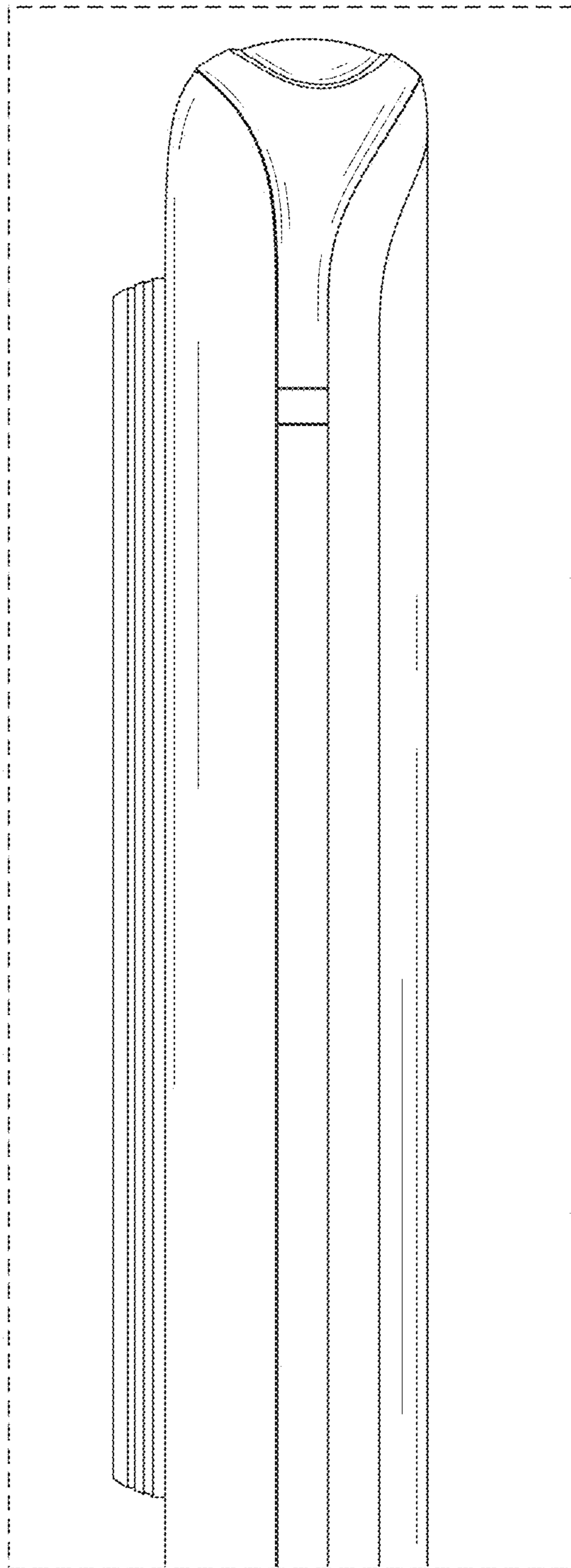


FIG. 10