



US00D958100S

(12) **United States Design Patent**  
**Nakagawa**

(10) **Patent No.:** **US D958,100 S**  
(45) **Date of Patent:** **\*\* Jul. 19, 2022**

(54) **PORTABLE COMMUNICATION DEVICE**

FOREIGN PATENT DOCUMENTS

(71) Applicant: **ICOM INCORPORATED**, Osaka (JP)

CN 3584342 \* 11/2006  
CN 301617414 \* 7/2011

(72) Inventor: **Masashi Nakagawa**, Osaka (JP)

(Continued)

(73) Assignee: **ICOM INCORPORATED**, Osaka (JP)

OTHER PUBLICATIONS

(\*\*) Term: **15 Years**

Icom Inc. Releases IC-V86, the Next Generation of the IC-V80 . . . , icomjapan.com, posted Feb. 5, 2019, [online], [site visited Mar. 16, 2022]. Internet URL: <https://www.icomjapan.com/news/2151/> (Year: 2019).\*

(21) Appl. No.: **29/688,073**

(22) Filed: **Apr. 18, 2019**

(Continued)

(30) **Foreign Application Priority Data**

Nov. 8, 2018 (JP) ..... 2018-024565

*Primary Examiner* — Jeffrey D Asch

(51) **LOC (13) Cl.** ..... **14-03**

(74) *Attorney, Agent, or Firm* — Birch, Stewart, Kolasch & Birch, LLP

(52) **U.S. Cl.**

(57) **CLAIM**

USPC ..... **D14/137**

(58) **Field of Classification Search**

The ornamental design for a portable communication device, as shown and described.

USPC ..... D14/137, 138 AA, 147, 148, 218, 155,

D14/159, 142, 225, 226, 191, 203.3,

D14/203.7, 203.1, 203.5, 188, 192,

D14/194–198, 168, 172; D21/517, 566,

D21/324, 329, 331; D10/104.1, 104.2,

D10/106.1, 65, 78; D13/168; D30/199

CPC ..... H04B 1/3833; H04B 1/3827; H04B

2001/3861; G08B 21/0202

See application file for complete search history.

**DESCRIPTION**

FIG. 1 is a perspective view of the portable communication device;

FIG. 2 is a front view of the portable communication device;

FIG. 3 is a rear view of the portable communication device;

FIG. 4 is a left side view of the portable communication device;

FIG. 5 is a right side view of the portable communication device;

FIG. 6 is a top view of the portable communication device; and,

FIG. 7 is a bottom view of the portable communication device.

The broken lines depict portions of the portable communication device in which the design is embodied that are not considered part of the claimed design.

(56) **References Cited**

U.S. PATENT DOCUMENTS

D282,661 S \* 2/1986 Imazeki ..... D14/137

D292,211 S \* 10/1987 Imazeki ..... D14/137

D384,345 S \* 9/1997 Lindeman ..... D14/137

D385,270 S \* 10/1997 Yahaya ..... D14/137

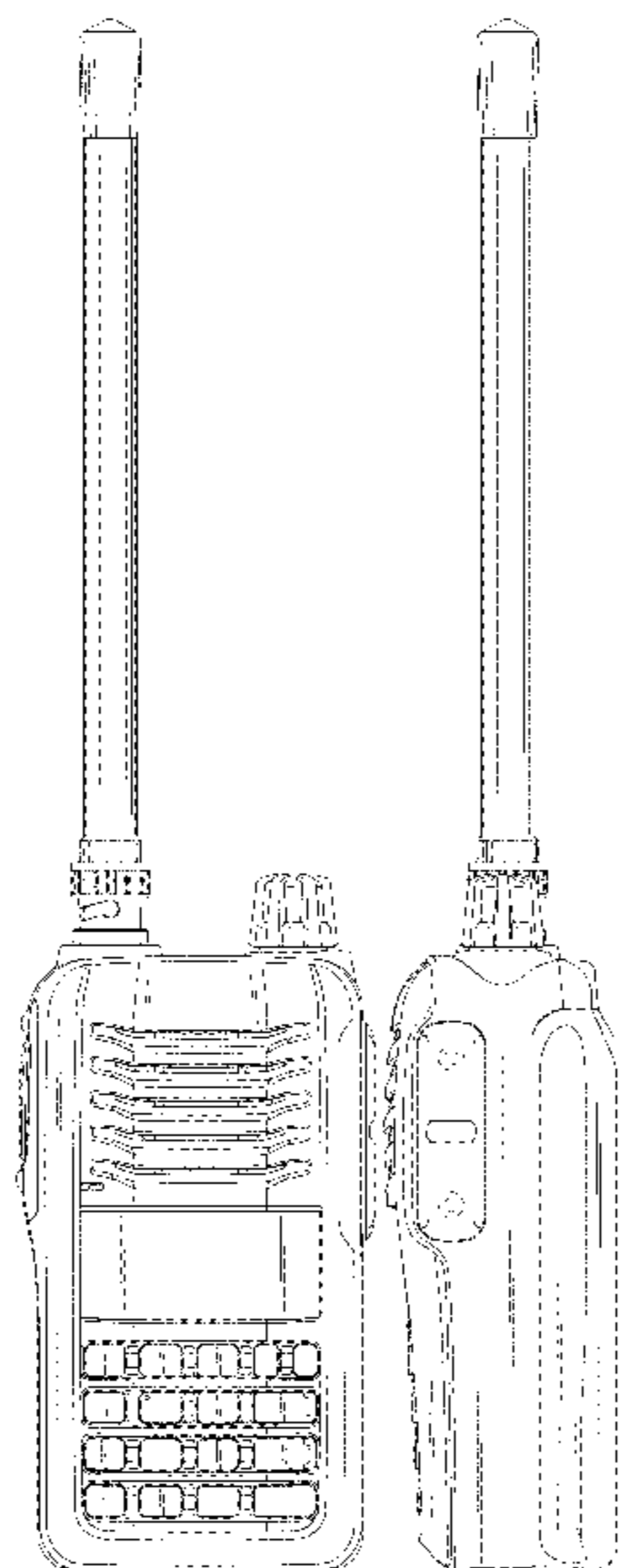
5,752,205 A \* 5/1998 Dzung ..... H04B 1/3877

455/575.1

D561,143 S \* 2/2008 Mukai ..... D14/137

(Continued)

**1 Claim, 5 Drawing Sheets**



(56)

References Cited

U.S. PATENT DOCUMENTS

D576,124 S \* 9/2008 Nishizawa ..... D14/137  
 D576,125 S \* 9/2008 Nishizawa ..... D14/137  
 D576,126 S \* 9/2008 Nishida ..... D14/137  
 D576,980 S \* 9/2008 Onoue ..... D14/137  
 D576,981 S \* 9/2008 Akita ..... D14/137  
 D577,699 S \* 9/2008 Onoue ..... D14/137  
 D600,225 S \* 9/2009 Woon ..... D14/137  
 D601,999 S \* 10/2009 Onoue ..... D14/188  
 D607,855 S \* 1/2010 Nakagawa ..... D14/137  
 D608,747 S \* 1/2010 Nakagawa ..... D14/137  
 D651,997 S \* 1/2012 Oikawa ..... D14/137  
 D652,400 S \* 1/2012 Oikawa ..... D14/137  
 D653,225 S \* 1/2012 Yong ..... D14/137  
 D663,277 S \* 7/2012 Yong ..... D14/137  
 D670,258 S \* 11/2012 Yamamoto ..... D14/137  
 D761,223 S \* 7/2016 Oikawa ..... D14/137  
 D816,632 S \* 5/2018 Yamamoto ..... D14/137  
 D842,830 S \* 3/2019 Nishida ..... D14/137  
 10,477,386 B1 \* 11/2019 Cheah ..... H04W 4/027  
 D876,379 S \* 2/2020 Aihsan ..... D14/137  
 D892,071 S \* 8/2020 Zhang ..... D14/137  
 D894,143 S \* 8/2020 Nishizawa ..... D14/137  
 D896,197 S \* 9/2020 Lee ..... D14/137  
 D916,671 S \* 4/2021 Suzuki ..... D14/137  
 2012/0329409 A1 \* 12/2012 Chauhan ..... H02H 9/008  
 455/127.1

FOREIGN PATENT DOCUMENTS

CN 301647493 \* 8/2011  
 CN 306637995 \* 6/2021  
 CN 306638072 \* 6/2021  
 CN 306647518 \* 6/2021  
 EM 000832340-0002 \* 1/2008  
 JP D1387590 5/2010  
 JP D1632746 \* 6/2019  
 TW 140384-0001 \* 5/2011

OTHER PUBLICATIONS

Icom IC-V86 The All New IC-V80 2019 Analog Radio Release,  
 YouTube.com, Posted Feb. 10, 2019, by Hanika Communication  
 [online], [site visited Apr. 12, 2022]. Internet URL:<https://www.youtube.com/watch?v=4pMmGQjx8dA> (Year: 2019).\*  
 BP-265 Battery for ICOM . . . , amazon.com, first available date  
 Sep. 20, 2019, [online], [site visited Apr. 13, 2022]. Internet URL:  
[https://www.amazon.com/Battery-IC-T70A-IC-T70E-2200mAh-  
 Replacement/dp/B07Y58YLD4](https://www.amazon.com/Battery-IC-T70A-IC-T70E-2200mAh-Replacement/dp/B07Y58YLD4) (Year: 2019).\*

\* cited by examiner

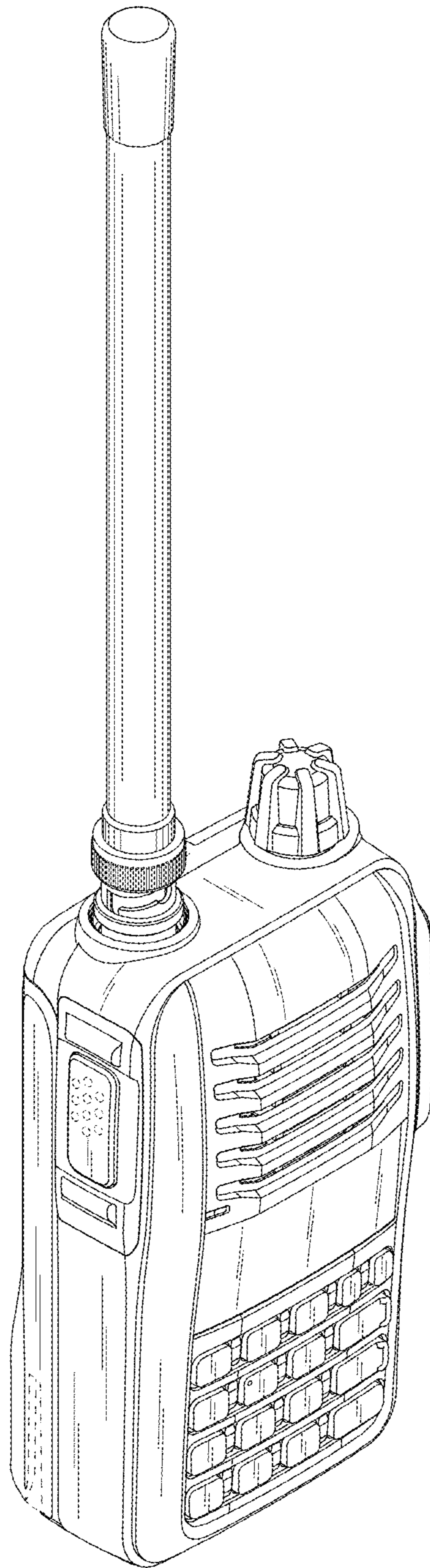


FIG.1

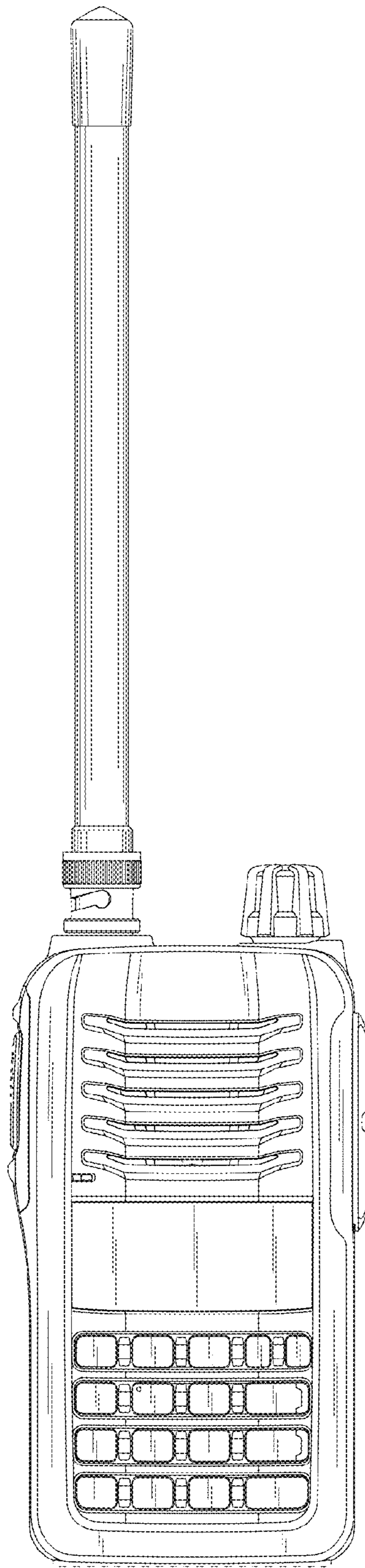


FIG.2



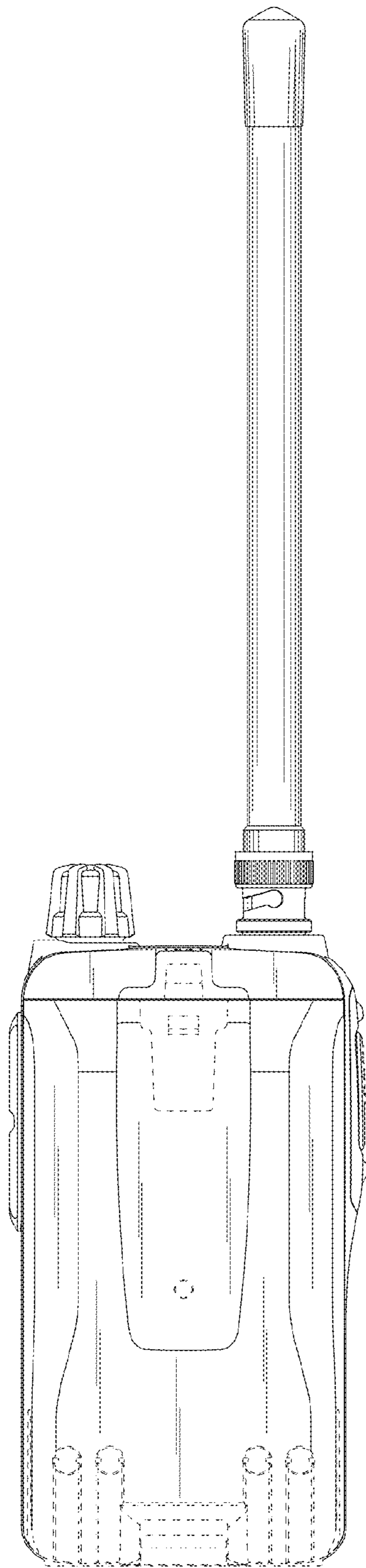


FIG.3

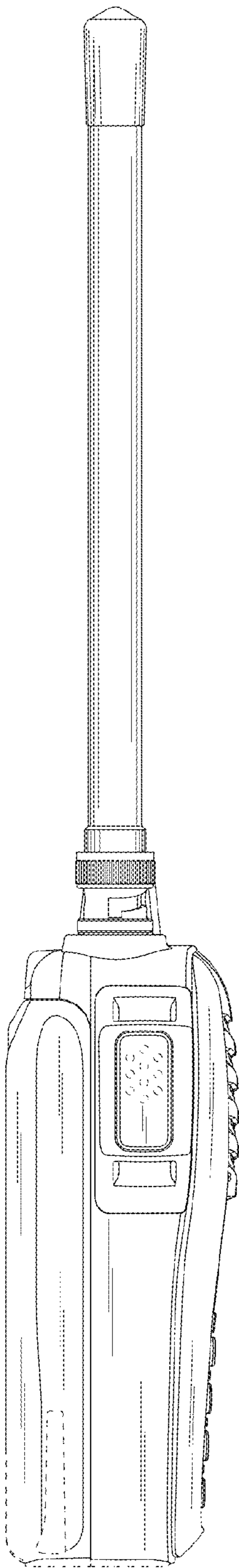


FIG. 4

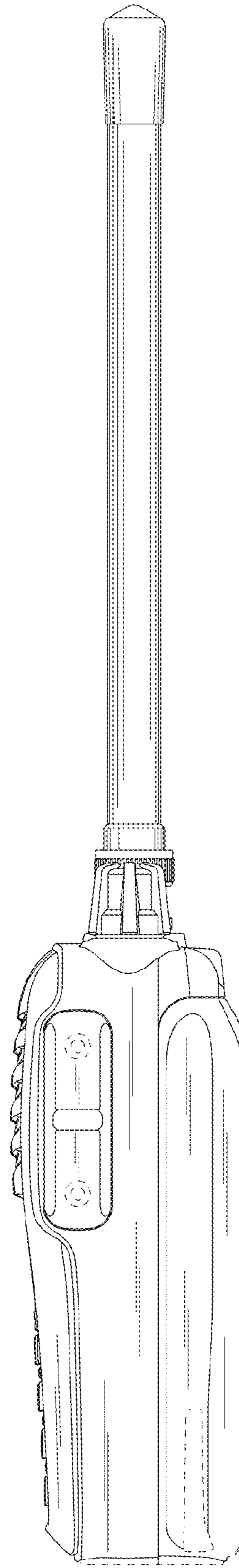


FIG. 5

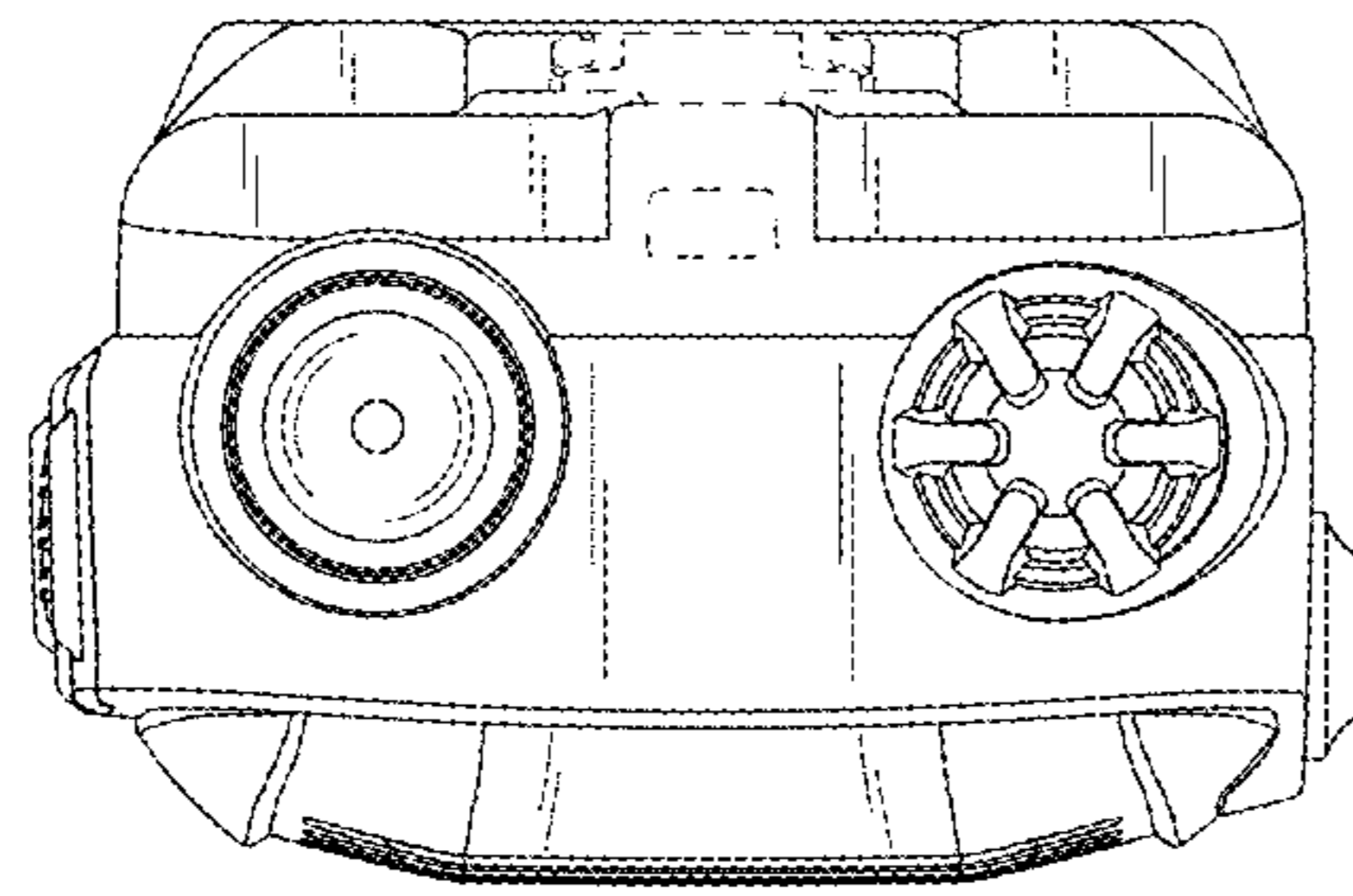


FIG. 6

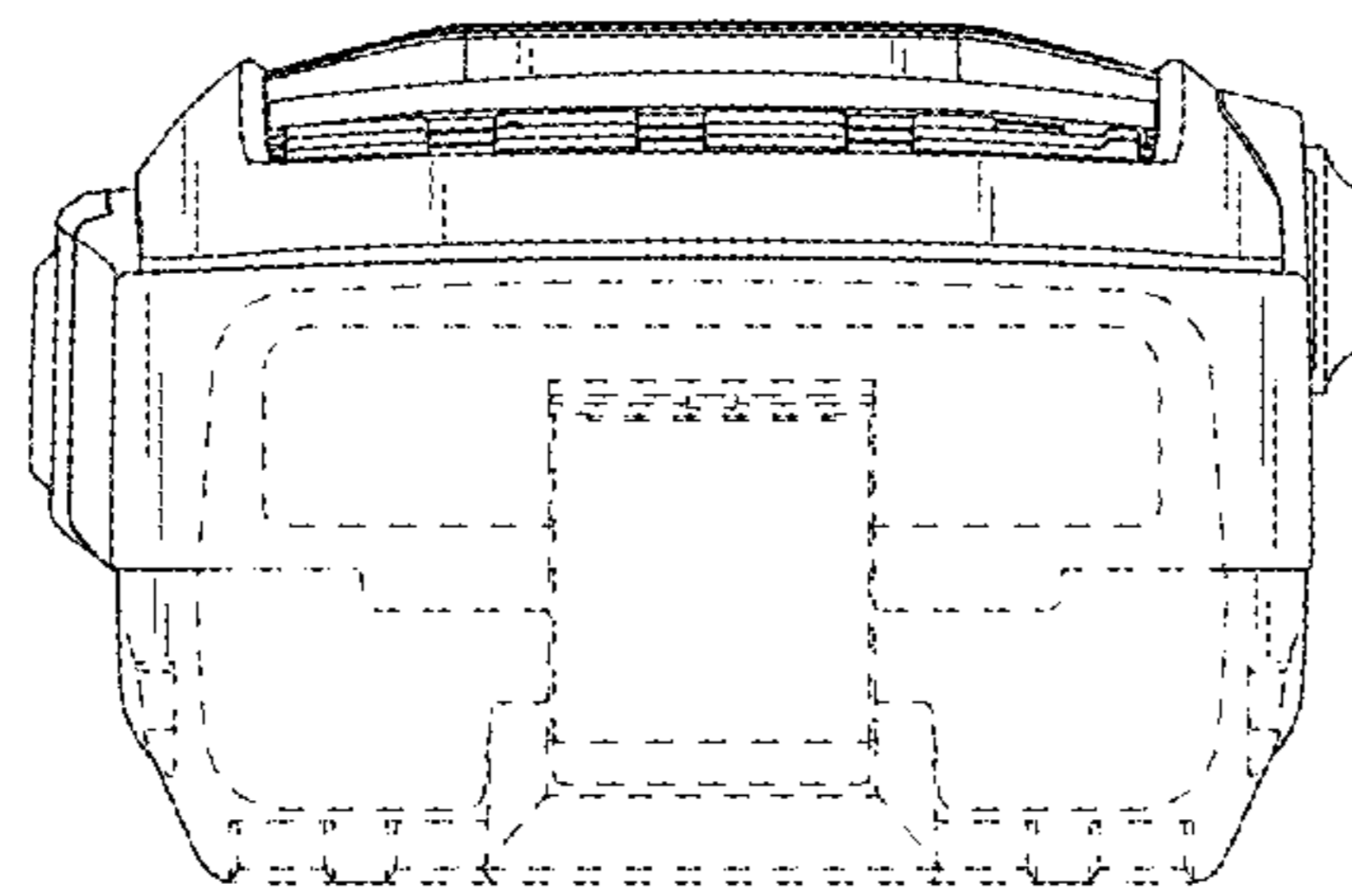


FIG. 7