



US00D958098S

(12) **United States Design Patent** (10) **Patent No.:** **US D958,098 S**  
**Wang** (45) **Date of Patent:** **\*\* Jul. 19, 2022**

(54) **TELEVISION RECEIVER**

(56) **References Cited**

(71) Applicant: **BEIJING XIAOMI MOBILE SOFTWARE CO., LTD.**, Beijing (CN)

U.S. PATENT DOCUMENTS

(72) Inventor: **Luxi Wang**, Beijing (CN)

|              |         |           |       |         |
|--------------|---------|-----------|-------|---------|
| D545,778 S * | 7/2007  | Isshiki   | ..... | D14/126 |
| D558,743 S * | 1/2008  | Isshiki   | ..... | D14/239 |
| D561,712 S * | 2/2008  | Chu       | ..... | D14/126 |
| D562,788 S * | 2/2008  | Asanuma   | ..... | D14/126 |
| D566,669 S * | 4/2008  | Ooshima   | ..... | D14/126 |
| D570,312 S * | 6/2008  | Kita      | ..... | D14/126 |
| D619,135 S * | 7/2010  | Lin       | ..... | D14/374 |
| D634,324 S * | 3/2011  | Park      | ..... | D14/374 |
| D659,661 S * | 5/2012  | Lim       | ..... | D14/126 |
| D686,615 S * | 7/2013  | Lee       | ..... | D14/374 |
| D692,403 S * | 10/2013 | Takami    | ..... | D14/126 |
| D700,586 S * | 3/2014  | Kim       | ..... | D14/126 |
| D703,168 S * | 4/2014  | Won       | ..... | D14/126 |
| D714,238 S * | 9/2014  | Kim       | ..... | D14/126 |
| D719,119 S * | 12/2014 | Park      | ..... | D14/126 |
| D720,315 S * | 12/2014 | Kim       | ..... | D14/126 |
| D722,033 S * | 2/2015  | Kim       | ..... | D14/126 |
| D722,989 S * | 2/2015  | Park      | ..... | D14/126 |
| D733,082 S * | 6/2015  | Hwangbo   | ..... | D14/126 |
| D741,273 S * | 10/2015 | Huh       | ..... | D14/126 |
| D748,596 S * | 2/2016  | McManigal | ..... | D14/126 |
| D750,582 S * | 3/2016  | Kim       | ..... | D14/126 |

(73) Assignee: **BEIJING XIAOMI MOBILE SOFTWARE CO., LTD.**, Beijing (CN)

(\*\*) Term: **15 Years**

(21) Appl. No.: **35/510,732**

(22) Filed: **Aug. 5, 2020**

(80) **Hague Agreement Data**

Int. Filing Date: **Aug. 5, 2020**

Int. Reg. No.: **DM/211129**

Int. Reg. Date: **Aug. 5, 2020**

Int. Reg. Pub. Date: **Nov. 13, 2020**

(Continued)

(30) **Foreign Application Priority Data**

Feb. 5, 2020 (CN) ..... 202030047238.6

(51) **LOC (13) Cl.** ..... **14-03**

(52) **U.S. Cl.**

USPC ..... **D14/126**

CPC ..... **G06F 1/18** (2013.01)

(58) **Field of Classification Search**

USPC ..... D14/125-137, 140.11, 218, 239,  
D14/314-316, 339-341, 371, 373, 374,  
D14/379, 432, 440, 448, 450, 485, 492,  
D14/138 G, 248; D21/329, 321, 324,  
D21/333, 369, 370, 31, 515; D10/15, 75,  
D10/80, 104.1, 109.1, 109.2, 121;  
D6/320, 332, 356, 553

CPC ..... G06F 1/18; H04N 7/18; B64D 11/00152;  
B64D 11/00154; B60R 11/0229; B60R  
11/02; B60R 2011/0017

See application file for complete search history.

Primary Examiner — Richard E Chilcot

(74) Attorney, Agent, or Firm — Syncoda LLC; Feng Ma

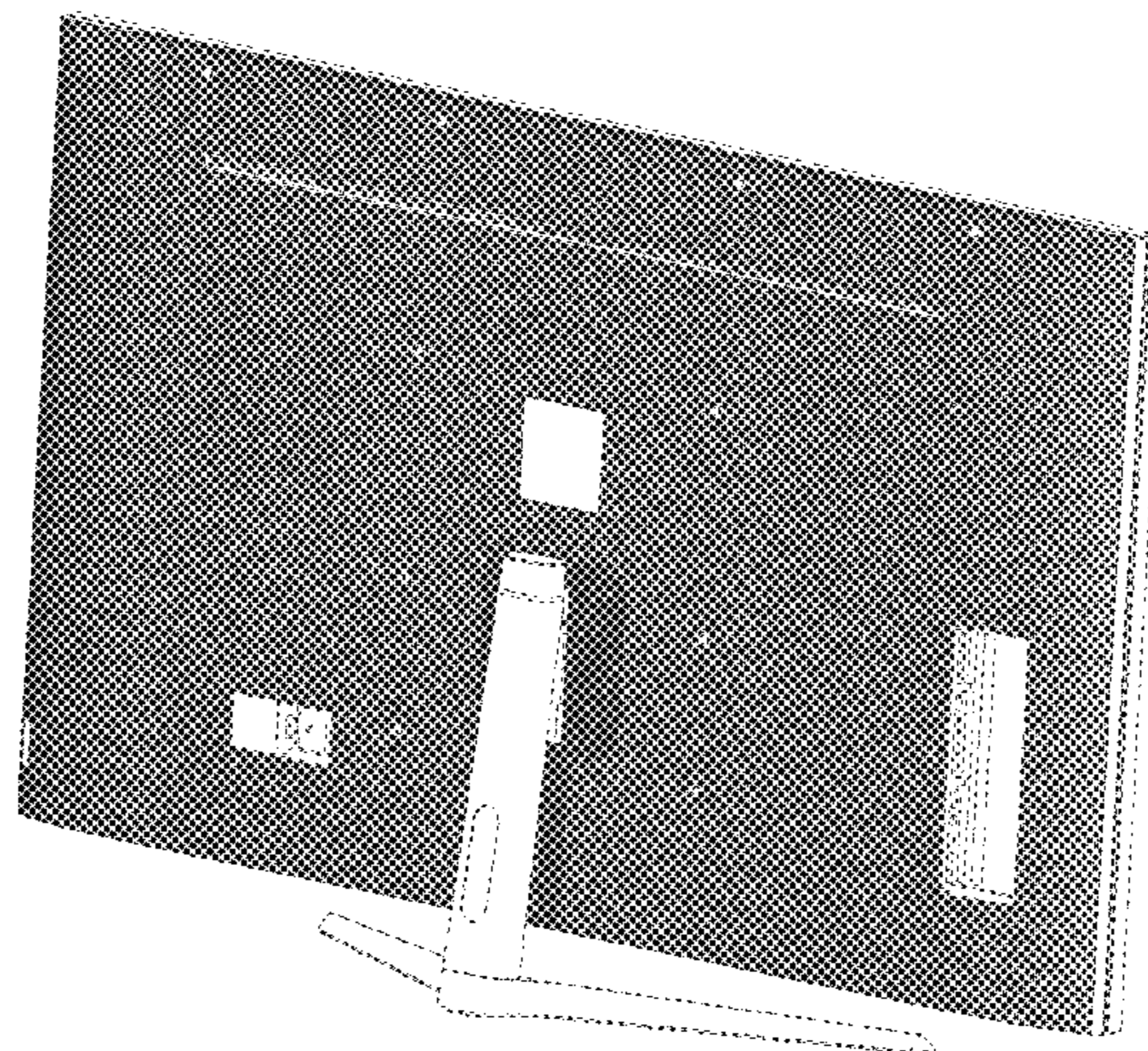
(57) **CLAIM**

The ornamental design for a television receiver, as shown and described.

**DESCRIPTION**

- 1. Television receiver
- 1.1** : is a front view of a television receiver showing the new design;
- 1.2** : is a back view thereof;
- 1.3** : is a left view thereof;
- 1.4** : is a right view thereof;
- 1.5** : is a top view thereof;

(Continued)



1.6 : is a bottom view thereof;  
 1.7 : is a front perspective view thereof; and  
 1.8 : is a back perspective view thereof.

**1 Claim, 8 Drawing Sheets**

(56)

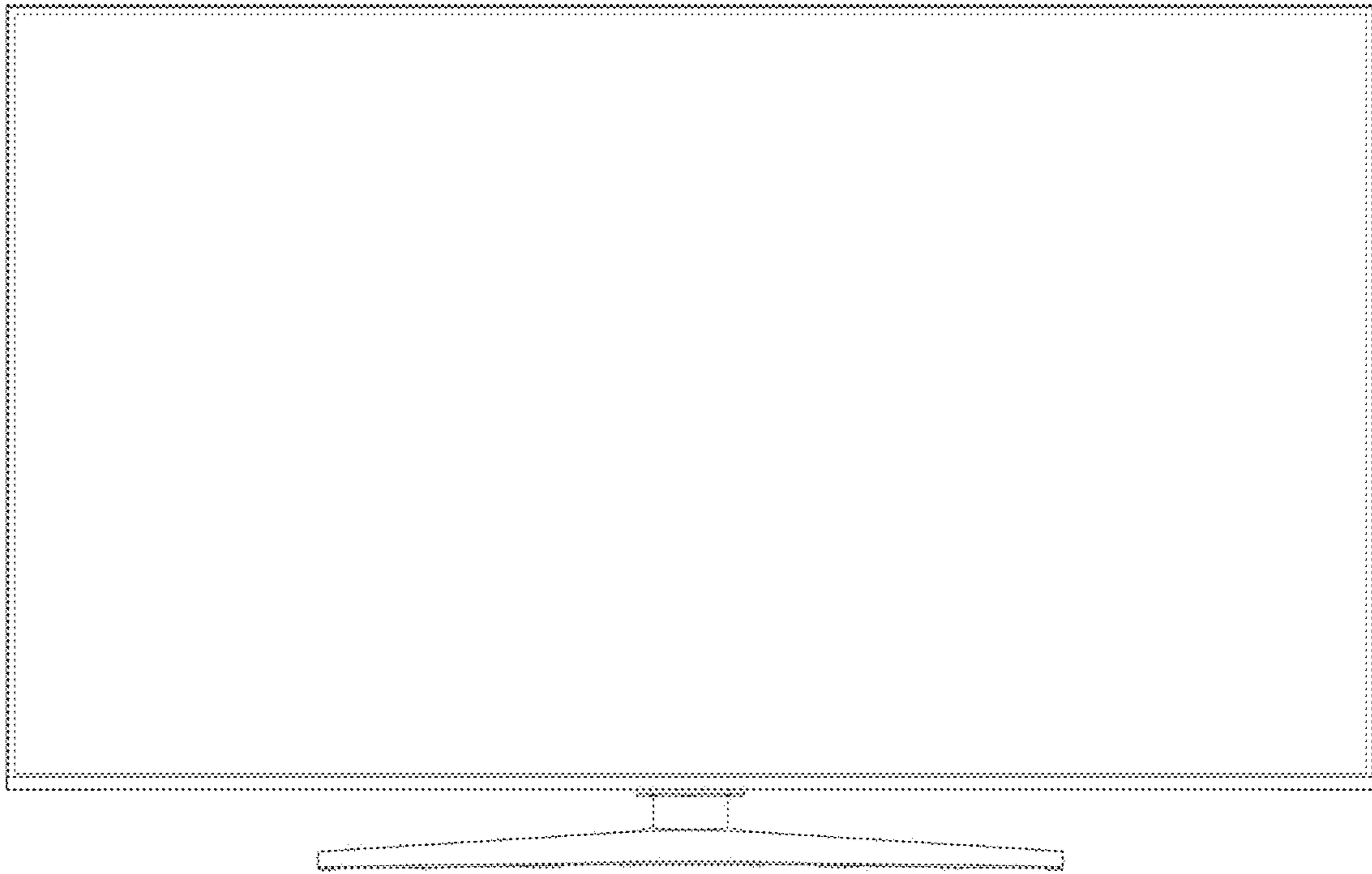
**References Cited**

U.S. PATENT DOCUMENTS

D751,519 S \* 3/2016 Ma ..... D14/126  
 D754,086 S \* 4/2016 Valeur ..... D14/126  
 D755,140 S \* 5/2016 Kim ..... D14/126  
 D756,945 S \* 5/2016 Kim ..... D14/126  
 D767,517 S \* 9/2016 Gomi ..... D14/126  
 D768,100 S \* 10/2016 Seo ..... D14/126  
 D772,830 S \* 11/2016 Kim ..... D14/126  
 D773,419 S \* 12/2016 Han ..... D14/126  
 D774,010 S \* 12/2016 Wang ..... D14/126  
 D774,484 S \* 12/2016 Han ..... D14/126  
 D775,094 S \* 12/2016 Kim ..... D14/126  
 D778,854 S \* 2/2017 Lee ..... D14/126  
 D778,855 S \* 2/2017 Lee ..... D14/126  
 D780,140 S \* 2/2017 Kim ..... D14/126  
 D782,991 S \* 4/2017 Kim ..... D14/126  
 D785,581 S \* 5/2017 McManigal ..... D14/126  
 D786,813 S \* 5/2017 McManigal ..... D14/126  
 D786,868 S \* 5/2017 Kim ..... D14/374  
 D787,462 S \* 5/2017 Shiono ..... D14/126

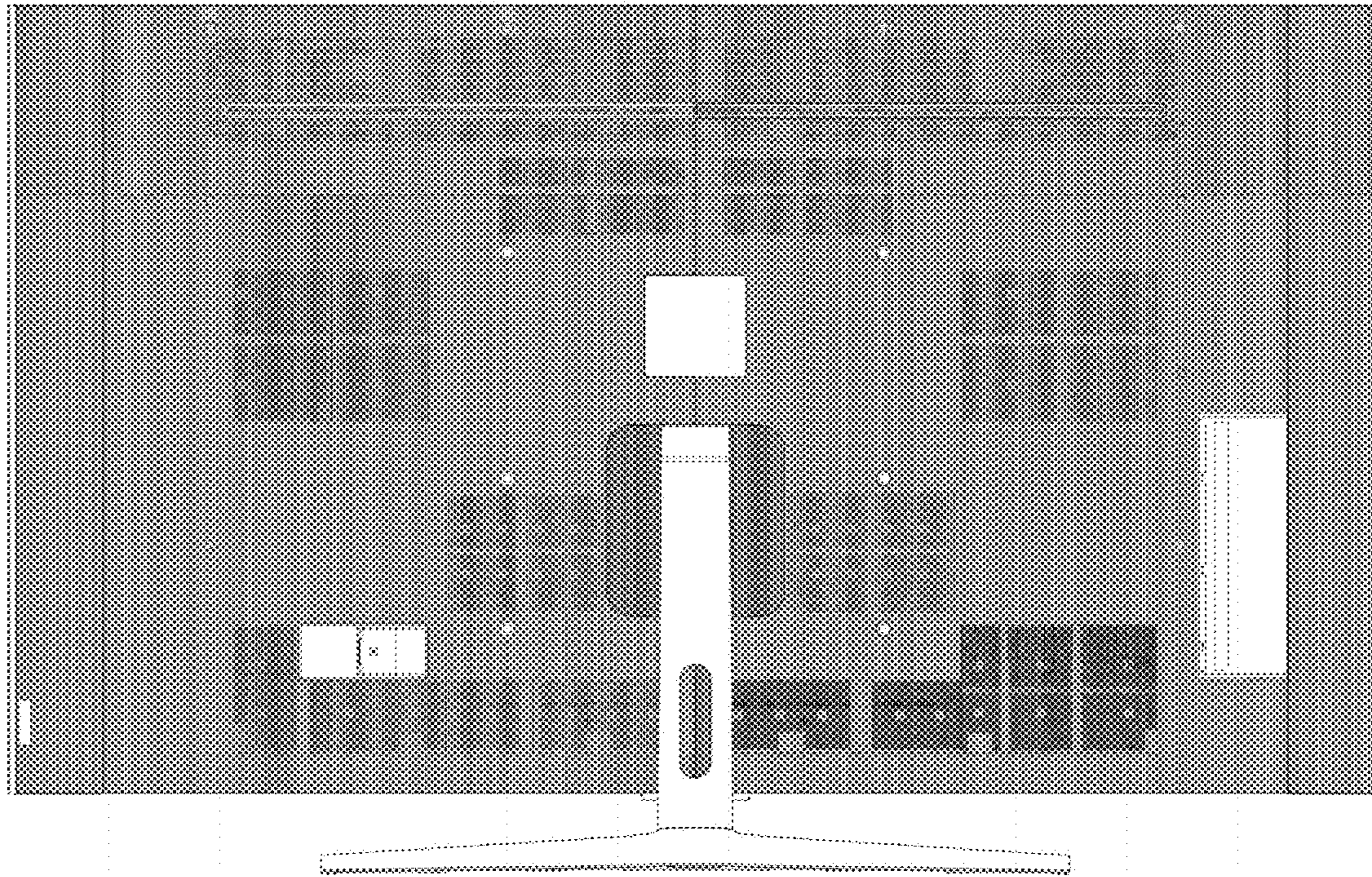
D790,493 S \* 6/2017 Han ..... D14/126  
 D792,361 S \* 7/2017 Han ..... D14/126  
 D796,465 S \* 9/2017 Kim ..... D14/126  
 D805,511 S \* 12/2017 Sun ..... D14/336  
 D817,290 S \* 5/2018 Lee ..... D14/126  
 D826,200 S \* 8/2018 Kim ..... D14/126  
 D826,878 S \* 8/2018 Kim ..... D14/126  
 D826,884 S \* 8/2018 Kim ..... D14/126  
 D828,837 S \* 9/2018 Kim ..... D14/374  
 D830,985 S \* 10/2018 Cha ..... D14/126  
 D836,587 S \* 12/2018 Cha ..... D14/126  
 D837,756 S \* 1/2019 Cheng ..... D14/126  
 D847,772 S \* 5/2019 Kim ..... D14/126  
 D847,773 S \* 5/2019 Kim ..... D14/126  
 D848,386 S \* 5/2019 Kuwao ..... D14/126  
 D848,965 S \* 5/2019 Kim ..... D14/126  
 D848,970 S \* 5/2019 Lim ..... D14/126  
 D858,470 S \* 9/2019 Lee ..... D14/126  
 D858,471 S \* 9/2019 Lee ..... D14/126  
 D858,474 S \* 9/2019 Lim ..... D14/126  
 D859,338 S \* 9/2019 Lim ..... D14/126  
 D860,961 S \* 9/2019 Kim ..... D14/126  
 D860,962 S \* 9/2019 Lee ..... D14/126  
 D901,414 S \* 11/2020 Park ..... D14/126  
 D901,416 S \* 11/2020 Park ..... D14/126  
 D918,163 S \* 5/2021 Kim ..... B64D 11/00154  
 D14/126  
 D923,595 S \* 6/2021 Jeong ..... D14/126  
 D923,596 S \* 6/2021 Kim ..... D14/126  
 D924,232 S \* 7/2021 Kim ..... D14/371

\* cited by examiner

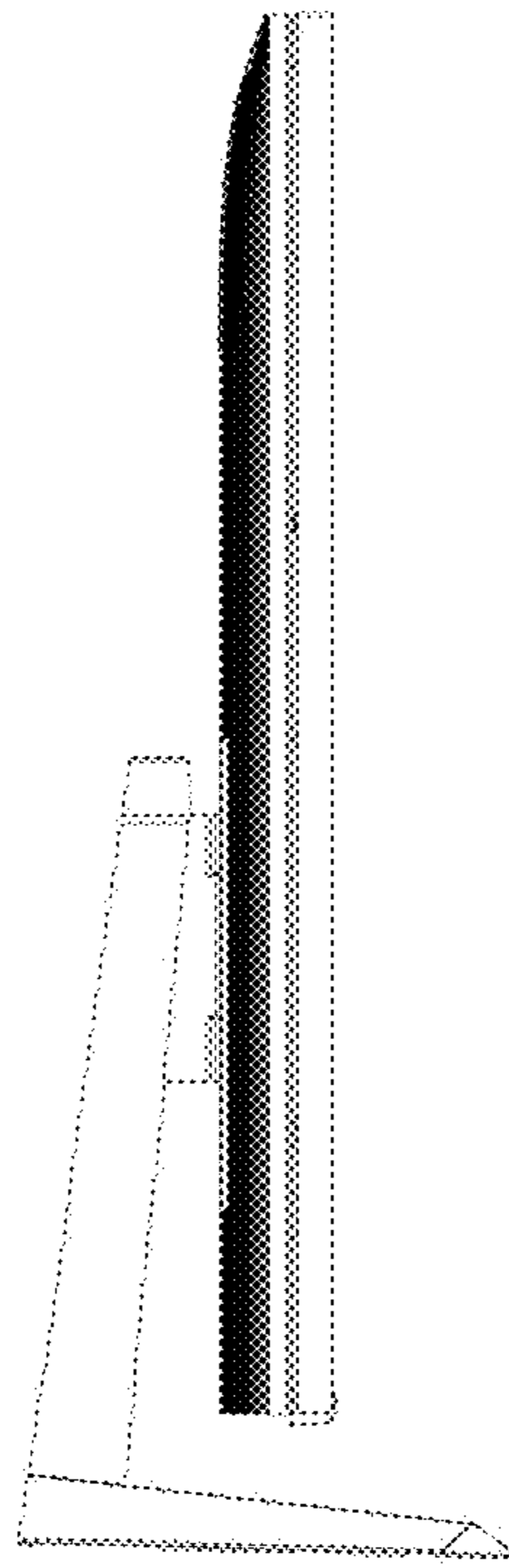


1.1



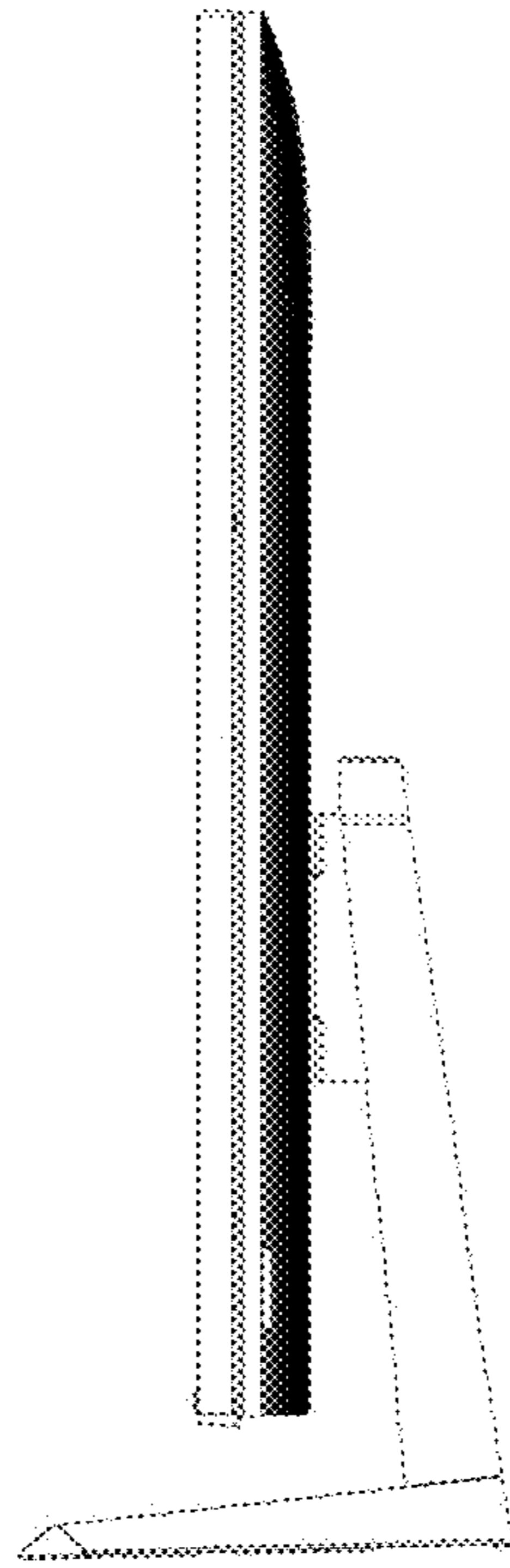


1.2

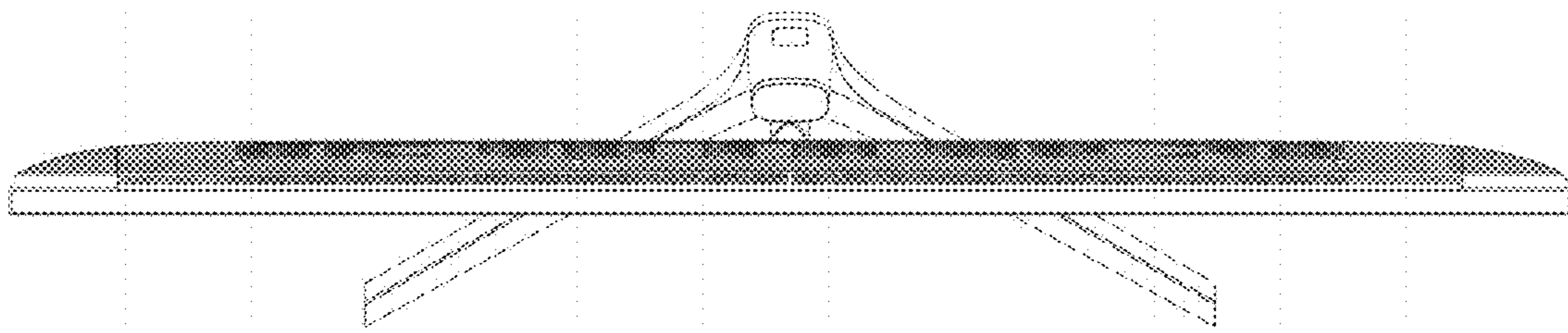


1.3

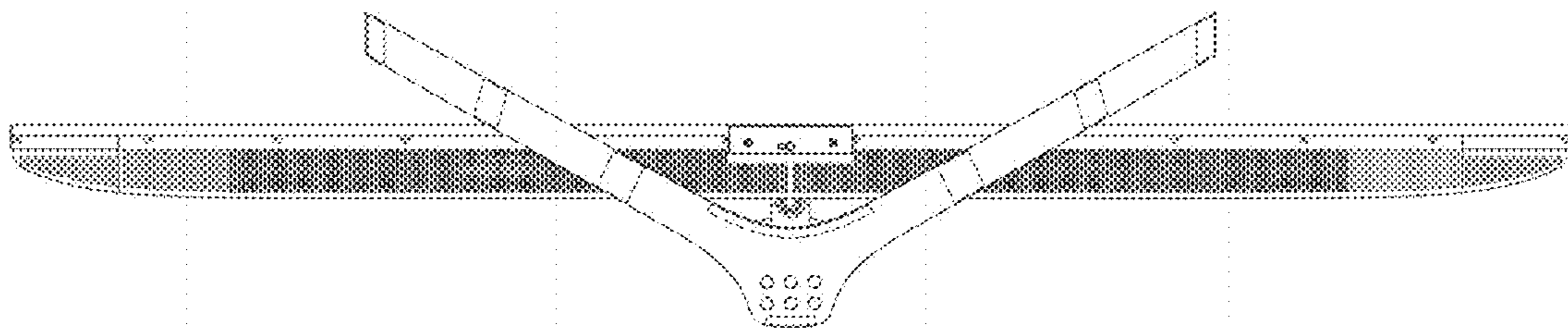




1.4

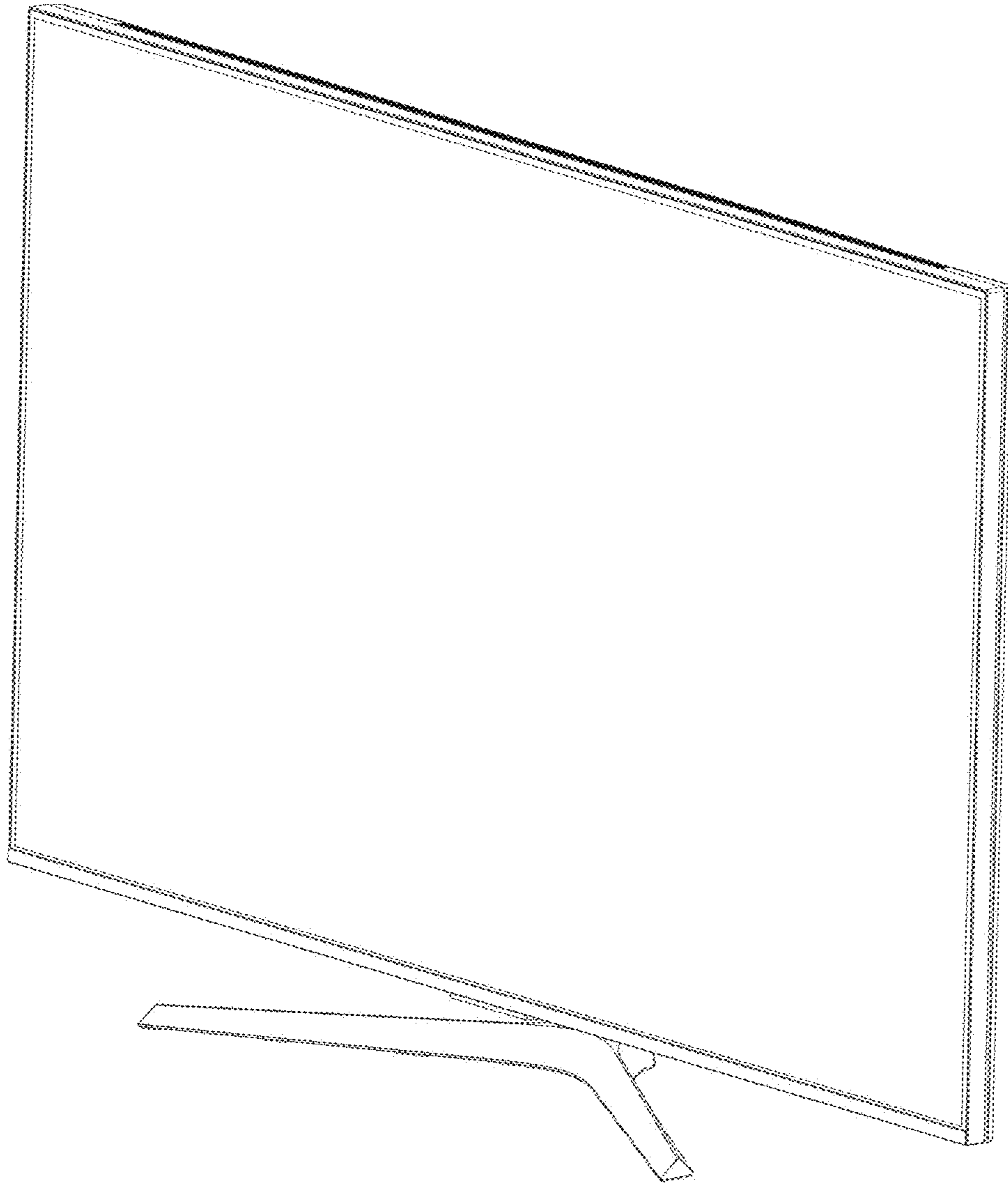


1.5



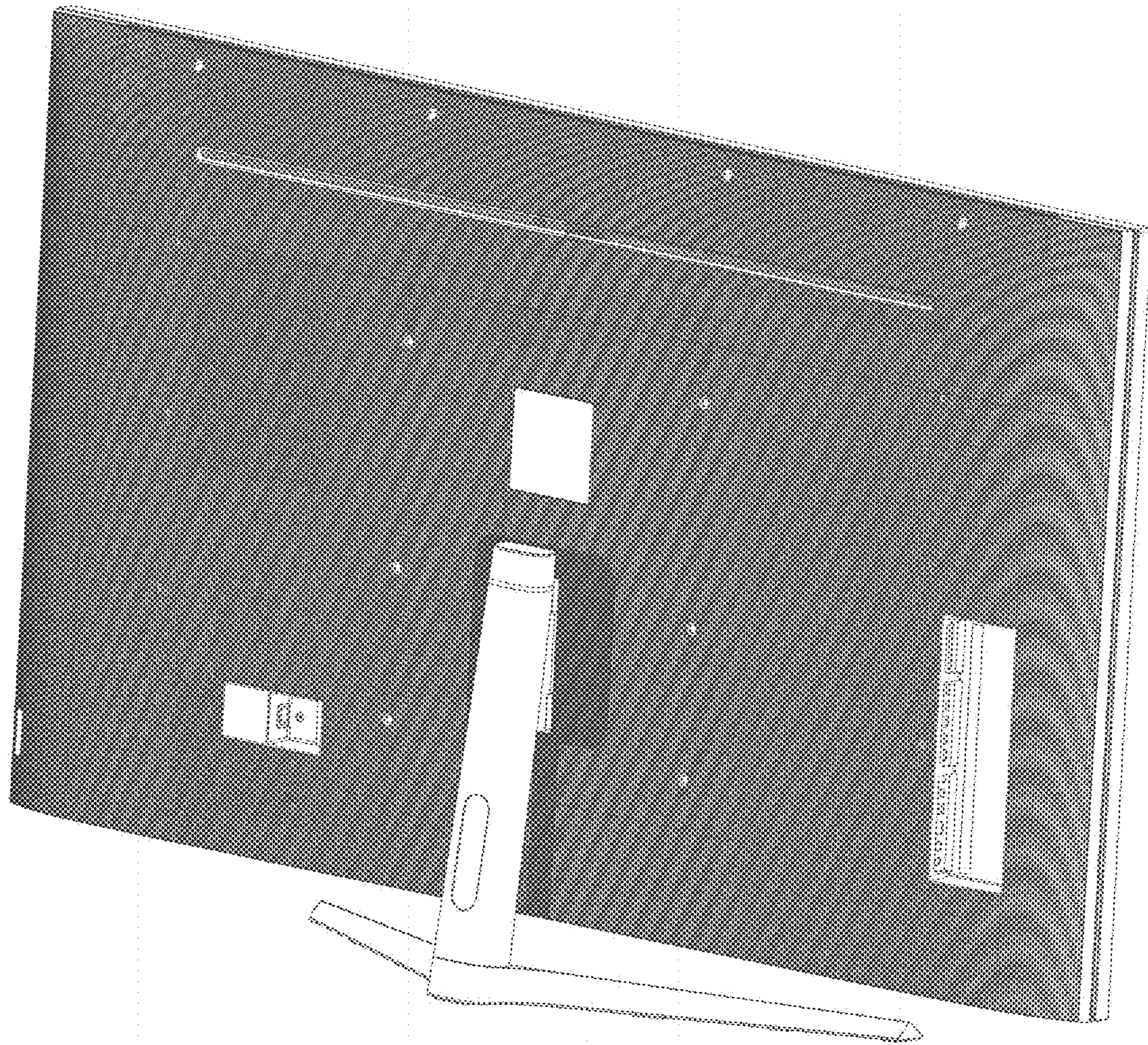
1.6





1.7





1.8