



US00D958095S

(12) **United States Design Patent**  
**Kim et al.**

(10) **Patent No.:** **US D958,095 S**  
(45) **Date of Patent:** **\*\* Jul. 19, 2022**

(54) **DISPLAY MODULE**

(71) Applicant: **Samsung Display Co., Ltd.**, Yongin-si (KR)

(72) Inventors: **Min Joo Kim**, Bucheon-si (KR); **Jong Hyun Choi**, Seoul (KR); **Ki Nyeng Kang**, Sejong-si (KR); **Min Soo Kim**, Seoul (KR); **Jung Eun Hong**, Seoul (KR)

(73) Assignee: **Samsung Display Co., Ltd.**, Yongin-si (KR)

(\*\*) Term: **15 Years**

(21) Appl. No.: **29/727,933**

(22) Filed: **Mar. 13, 2020**

(30) **Foreign Application Priority Data**

Sep. 17, 2019 (KR) ..... 30-2019-0044484

(51) **LOC (13) Cl.** ..... **14-03**

(52) **U.S. Cl.**  
USPC ..... **D14/125**

(58) **Field of Classification Search**  
USPC ..... D14/204, 209.1, 211, 221, 224–225, D14/227–228, 239, 371, 372, 373, D14/447–452, 125–129, 335–337, D14/374–377, 341, 440–442, 444, D14/446–447, 250, 217, 344–345, D14/348–349, 351–359, 363, 900; D8/355, 363, 373, 349; D6/672, 682, D6/300–314; D13/107, 101–103, D13/118–119, 184, 199; D10/30, 103, D10/123, 125, 132; D16/101, 216–217; D12/106; D24/103, 138, 140–144  
CPC ..... F16M 11/2085; F16M 11/2092; F16M 11/2007; F16M 11/2014; F16M 11/2021; F16M 11/105; F16M 11/10; F16M 11/048; F16M 11/12; F16M 13/022; H04R 9/06; H04R 1/24; H04R 11/02;

H04R 2400/00; G06F 1/20; G06F 1/1628; G06F 1/1626; G06F 1/1669; G06F 1/1679; H05K 5/00; H05K 5/0213; H05K 5/30; H05K 5/03; H05K 5/0017; A47B 23/044; A47B 97/001; A47B 81/061; H04B 1/3888; A45C 11/00; A63B 2225/685; H04M 1/0202; H04M 1/0266; H04M 1/725

See application file for complete search history.

(56) **References Cited**

U.S. PATENT DOCUMENTS

D648,722 S *	11/2011	Meyerhoffer	.....	D14/346
D798,860 S *	10/2017	Wieser	.....	D14/358
D799,479 S *	10/2017	Wieser	.....	D14/358
D800,721 S *	10/2017	Kim	.....	D14/344
D808,961 S *	1/2018	Lee	.....	D14/344
D824,850 S *	8/2018	Kojima	.....	D13/107
D850,393 S *	6/2019	Kim	.....	D14/126
D874,437 S *	2/2020	Iwahori	.....	D14/217

(Continued)

*Primary Examiner* — Samantha Q Lawrence

*Assistant Examiner* — Holly M Rodriguez

(74) *Attorney, Agent, or Firm* — Lewis Roca Rothgerber Christie LLP

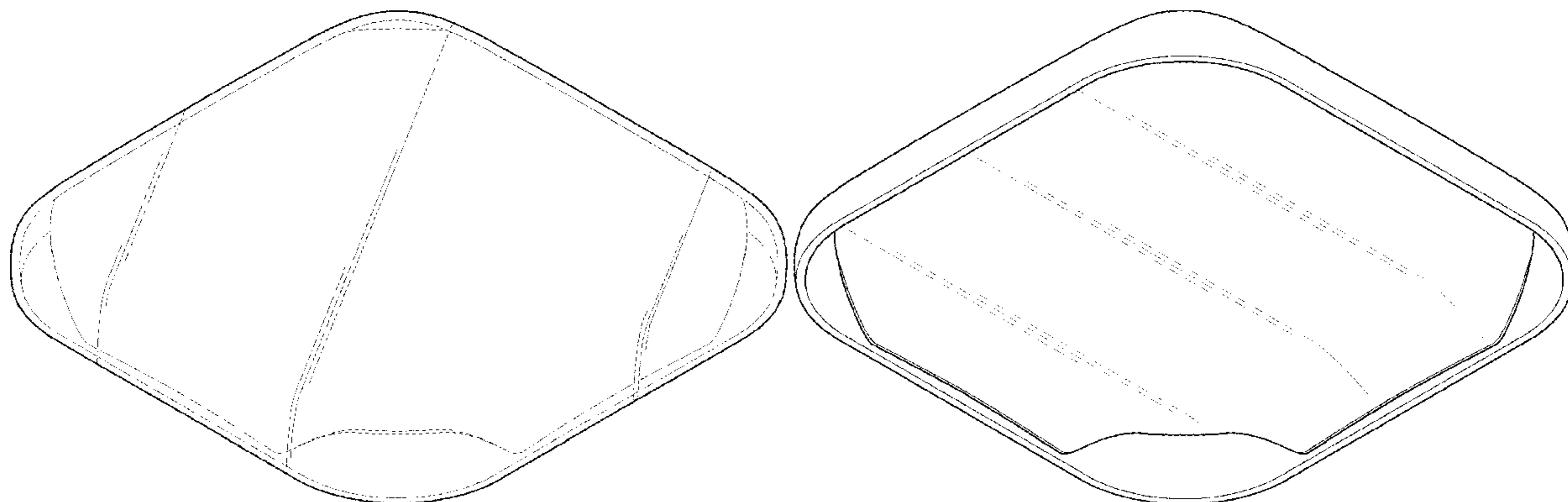
(57) **CLAIM**

The ornamental design for a display module, as shown and described.

**DESCRIPTION**

FIG. 1 is a top perspective view of the display module; FIG. 2 is a front view thereof, with the rear view being a mirror image of the front view; FIG. 3 is a left side view thereof, with the right side view being a mirror image of the left side view; FIG. 4 is a top view thereof; FIG. 5 is a bottom view thereof; and, FIG. 6 is a bottom perspective view thereof.

**1 Claim, 6 Drawing Sheets**



(56)

**References Cited**

U.S. PATENT DOCUMENTS

D882,565 S \* 4/2020 Akana ..... D14/344  
D895,615 S \* 9/2020 Vandenbussche ..... D14/344  
D902,933 S \* 11/2020 Zhang ..... D14/440  
D907,602 S \* 1/2021 Iwahori ..... D14/217  
D924,188 S \* 7/2021 Park ..... D14/126  
2016/0134729 A1\* 5/2016 Gong ..... C22C 45/10  
455/575.8  
2019/0075664 A1\* 3/2019 Sisson ..... G06F 1/1684  
2020/0057525 A1\* 2/2020 Prest ..... G06F 1/1686

\* cited by examiner

FIG. 1

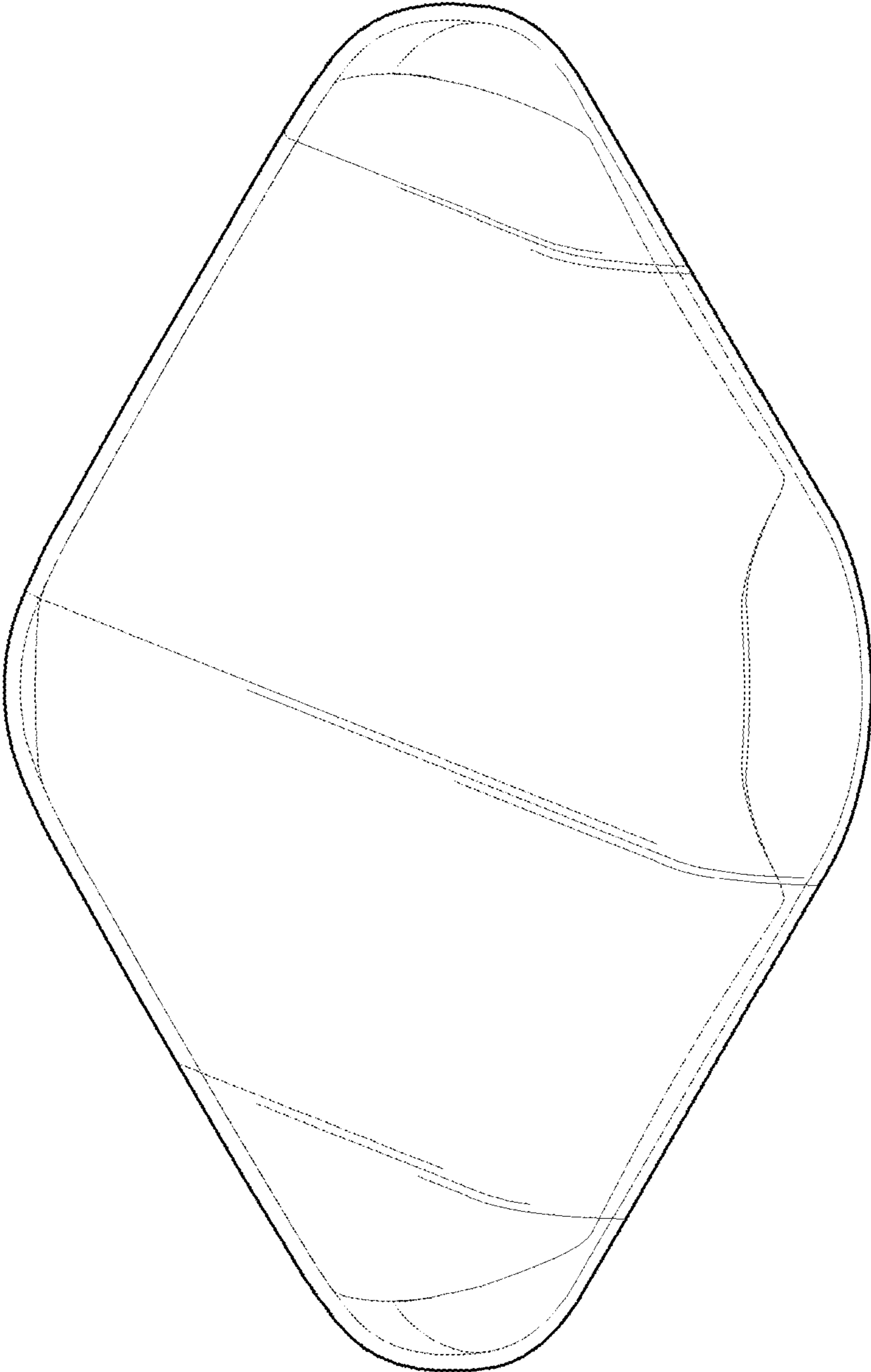


FIG. 2

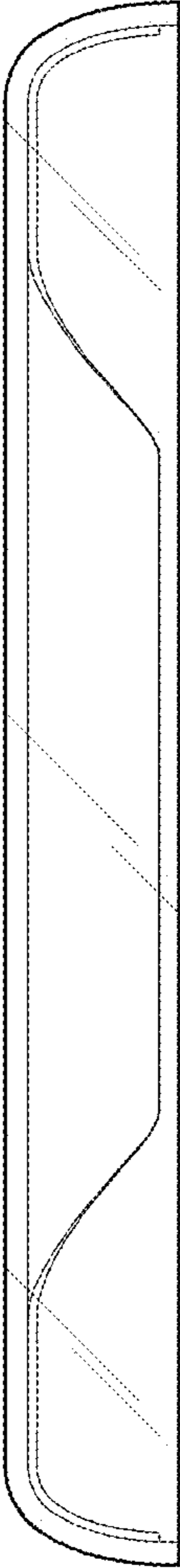
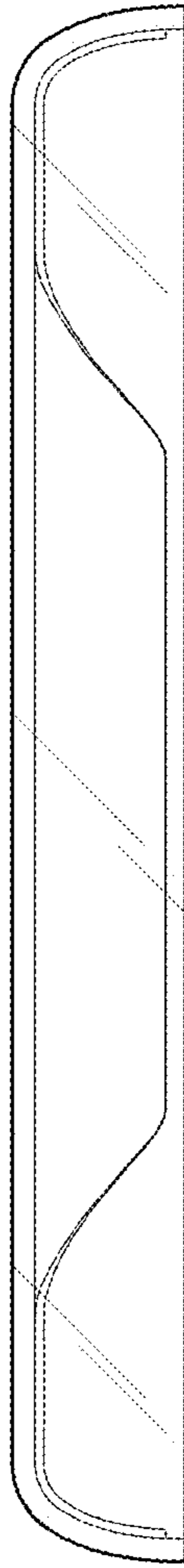


FIG. 3



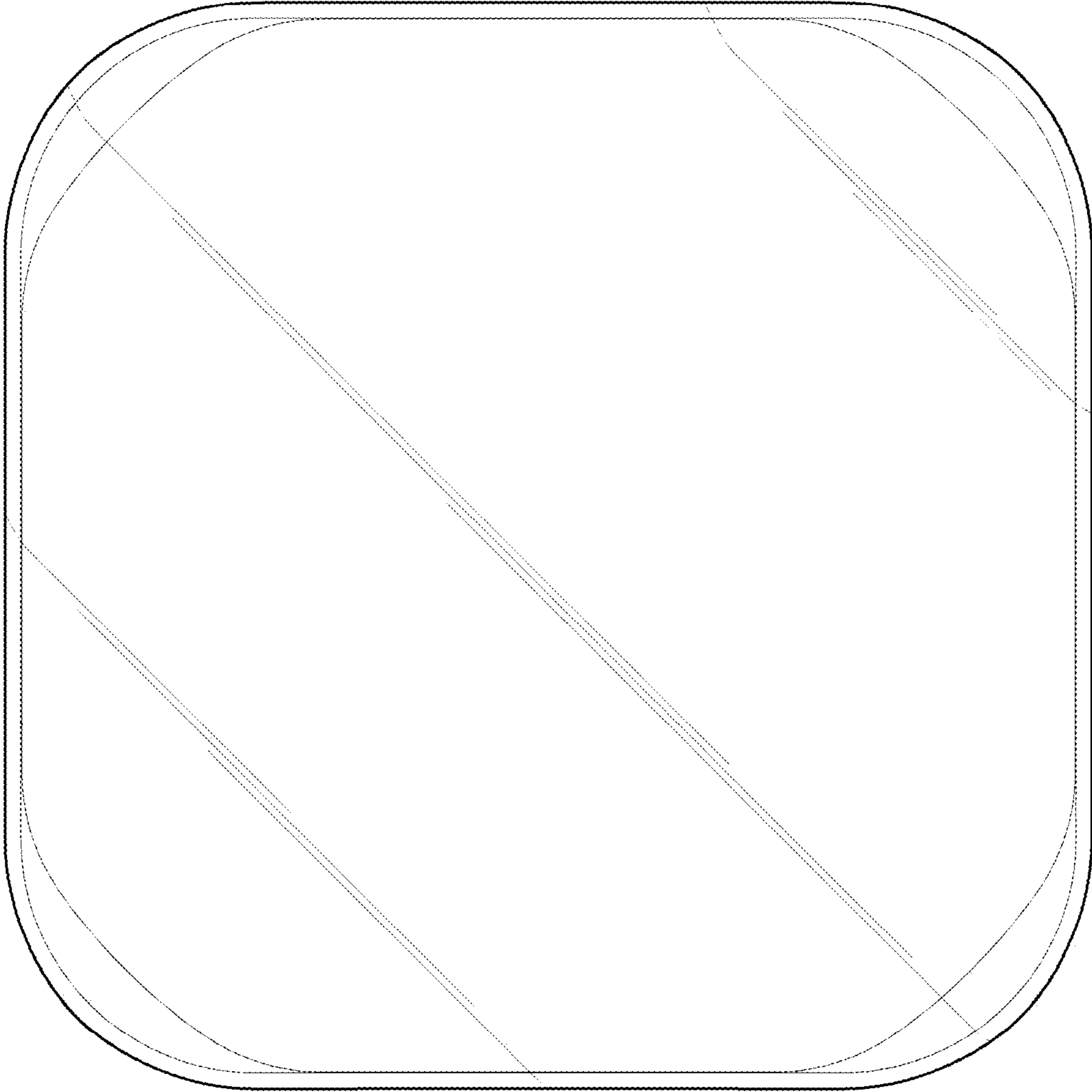


FIG. 4

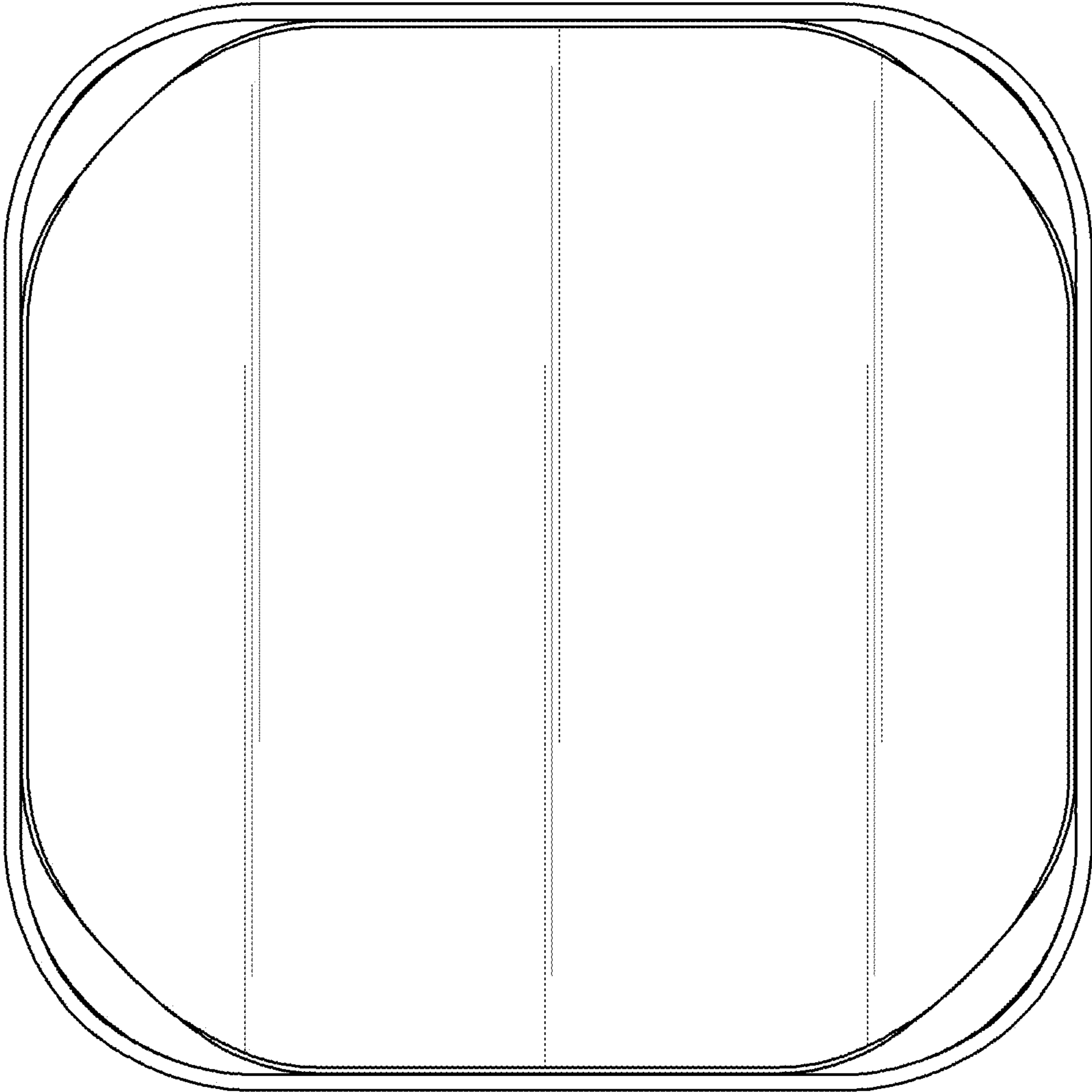


FIG. 5

FIG. 6

