



US00D958093S

(12) **United States Design Patent** (10) **Patent No.:** **US D958,093 S**  
**Murata** (45) **Date of Patent:** **\*\* Jul. 19, 2022**

(54) **BOAT OF SUBSTRATE PROCESSING APPARATUS**

(71) Applicant: **KOKUSAI ELECTRIC CORPORATION**, Tokyo (JP)

(72) Inventor: **Satoru Murata**, Toyama (JP)

(73) Assignee: **KOKUSAI ELECTRIC CORPORATION**, Tokyo (JP)

(\*\*) Term: **15 Years**

(21) Appl. No.: **29/735,900**

(22) Filed: **May 26, 2020**

(30) **Foreign Application Priority Data**

Nov. 28, 2019 (JP) ..... 2019-026362

(51) **LOC (13) Cl.** ..... **13-03**

(52) **U.S. Cl.**  
USPC ..... **D13/182**

(58) **Field of Classification Search**  
USPC ..... D13/178, 182, 184, 199  
(Continued)

(56) **References Cited**

**U.S. PATENT DOCUMENTS**

6,341,935 B1 \* 1/2002 Tseng ..... H01L 21/67303  
211/41.18  
7,484,958 B2 \* 2/2009 Kobayashi ..... H01L 21/67309  
211/41.18

(Continued)

**FOREIGN PATENT DOCUMENTS**

JP 1494309 S 4/2014

*Primary Examiner* — Derrick E Holland

(74) *Attorney, Agent, or Firm* — Fitch, Even, Tabin & Flannery, LLP

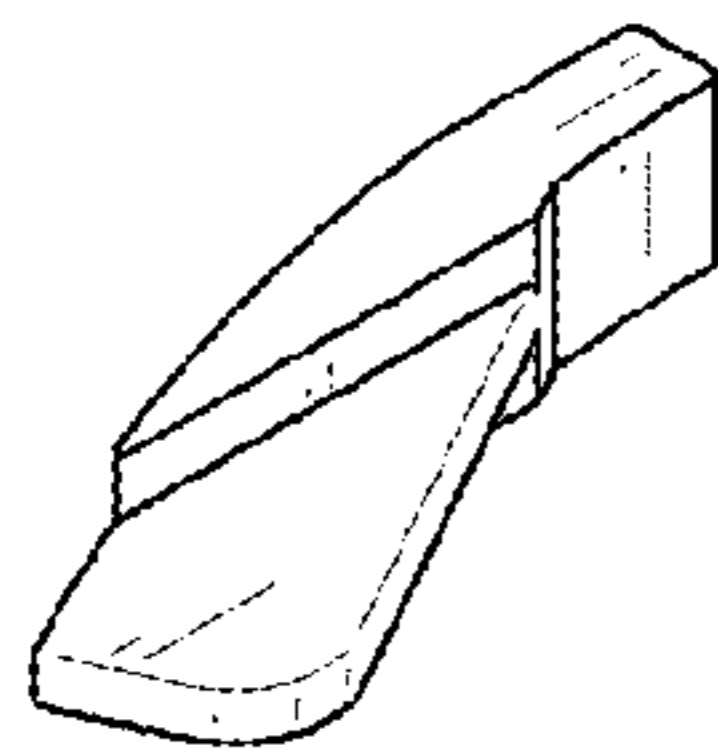
(57) **CLAIM**

I claim the ornamental design for a boat of substrate processing apparatus, as shown and described.

**DESCRIPTION**

FIG. 1 is a front, top and right side perspective view of a boat of substrate processing apparatus showing our new design; FIG. 2 is a front elevational view thereof; FIG. 3 is a left side elevational view thereof; FIG. 4 is a right side elevational view thereof; FIG. 5 is a top plan view thereof; FIG. 6 is a bottom plan view thereof; FIG. 7 is a rear elevational view thereof; FIG. 8 is an enlarged portion view taken along line 8-8 in FIG. 2 thereof; FIG. 9 is an enlarged portion view taken along line 9-9 in FIG. 2 thereof; FIG. 10 is an enlarged portion view taken along line 10-10 in FIG. 2 thereof; FIG. 11 is a perspective view of the claimed portion indicated by the solid line FIG thereof; FIG. 12 is a front elevational view of the claimed portion indicated by the solid line in FIG. 8 thereof; FIG. 13 is a left side elevational view of the claimed portion indicated by the solid line in FIG. 8 thereof; FIG. 14 is a right side elevational view of the claimed portion indicated by the solid line in FIG. 8 thereof; FIG. 15 is a top plan view of the claimed portion indicated by the solid line in FIG. 8 thereof; FIG. 16 is a bottom plan elevational view of the claimed portion indicated by the solid line in FIG. 8 thereof; and, FIG. 17 is a rear elevational view of the claimed portion indicated by the solid line in FIG. 8. The broken lines shown represent environmental subject matter and form no part of the claimed design. The dashed-dot-dashed broken lines define the bounds of the claim and form no part thereof.

**1 Claim, 8 Drawing Sheets**



(58) **Field of Classification Search**

CPC . C30B 31/14; C23C 16/458; H01L 21/67303;  
H01L 21/67309; H01L 21/67313; H01L  
21/6733; D03D 49/20; D03D 51/02;  
D03D 51/06

See application file for complete search history.

(56) **References Cited**

U.S. PATENT DOCUMENTS

D655,255	S	*	3/2012	Takebayashi	.....	D13/182
D655,682	S	*	3/2012	Takebayashi	.....	D13/182
D740,769	S	*	10/2015	Takagi	.....	D13/182
D772,183	S	*	11/2016	Kusakabe	.....	D13/182
D791,721	S	*	7/2017	Kusakabe	.....	D13/182
D868,012	S	*	11/2019	Karasawa	.....	D13/182
2002/0092815	A1	*	7/2002	Kim	.....	C30B 31/14 211/41.18
2002/0113027	A1	*	8/2002	Minami	.....	H01L 21/67109 211/41.18

\* cited by examiner

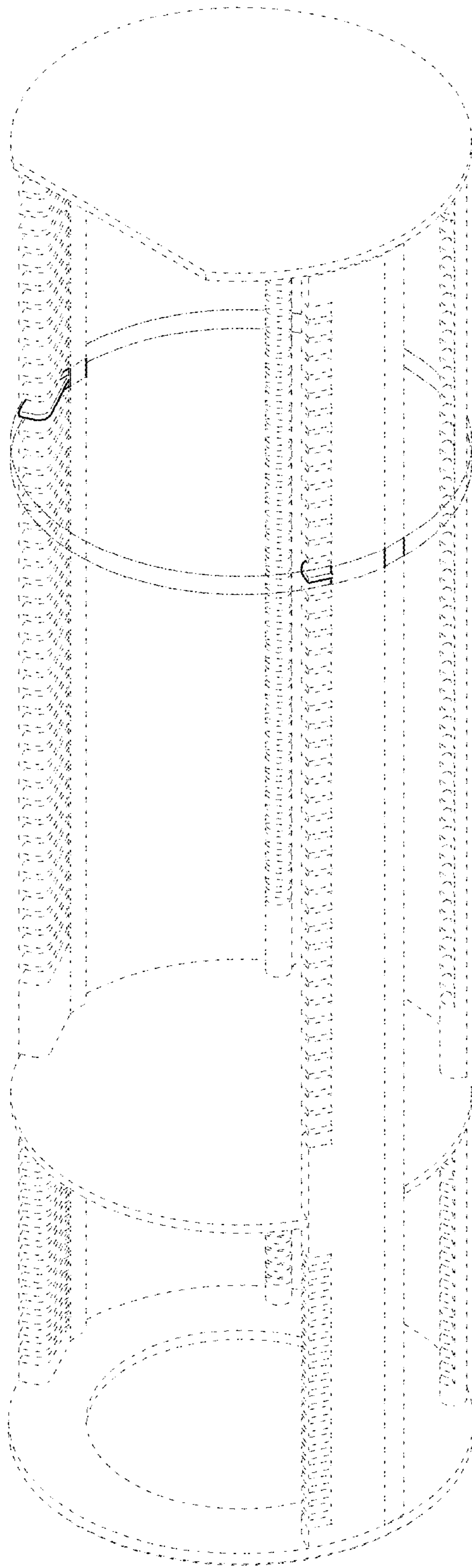


FIG. 1

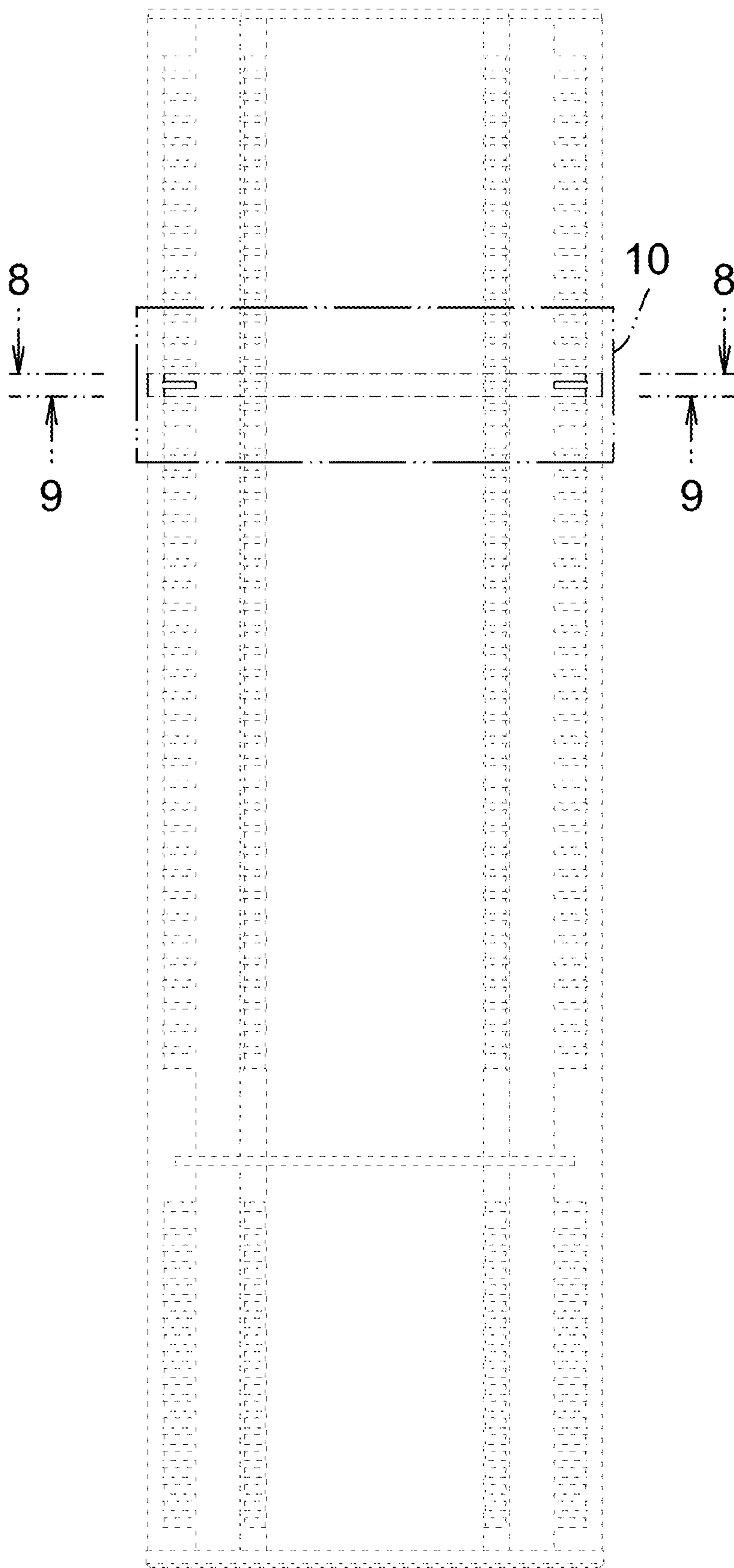


FIG. 2

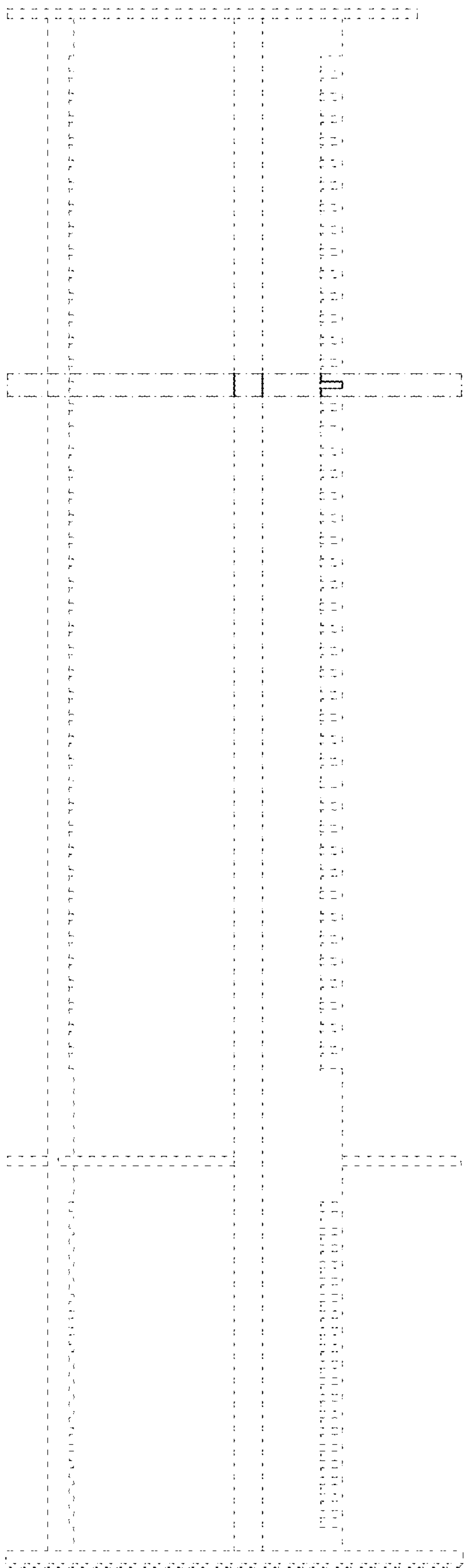


FIG. 3

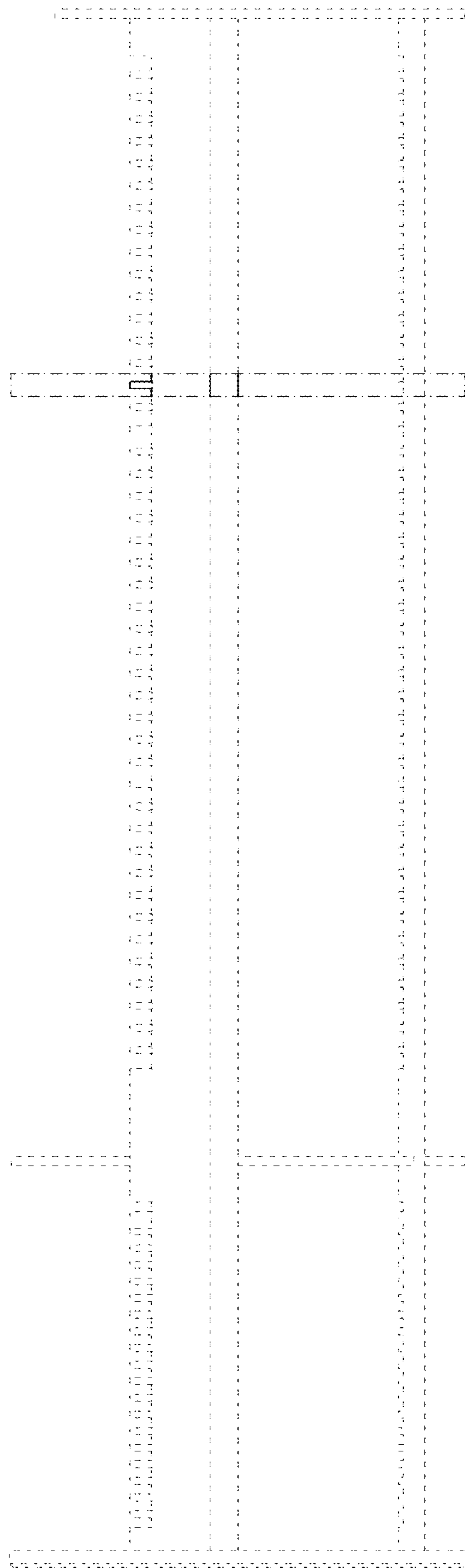
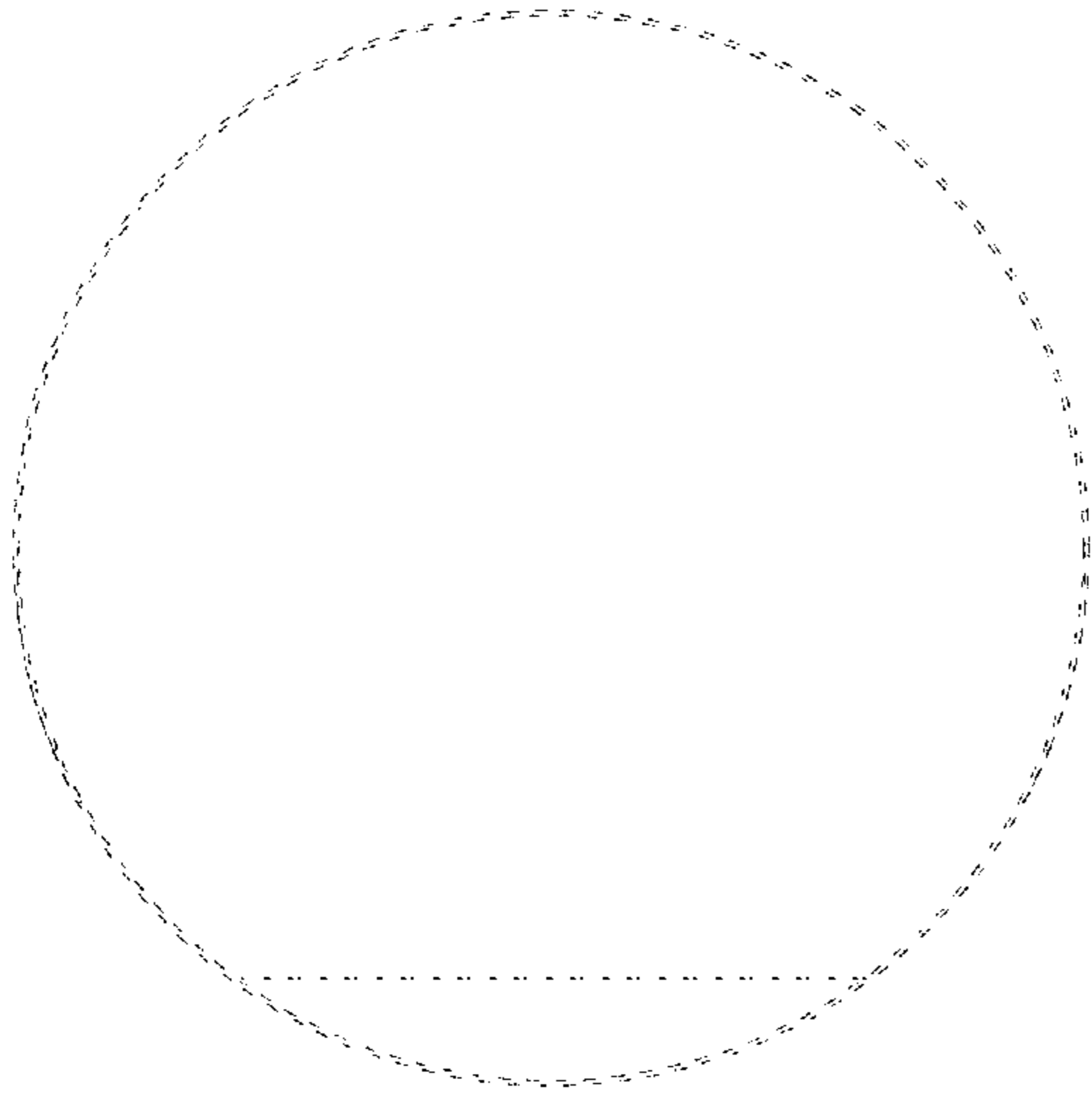
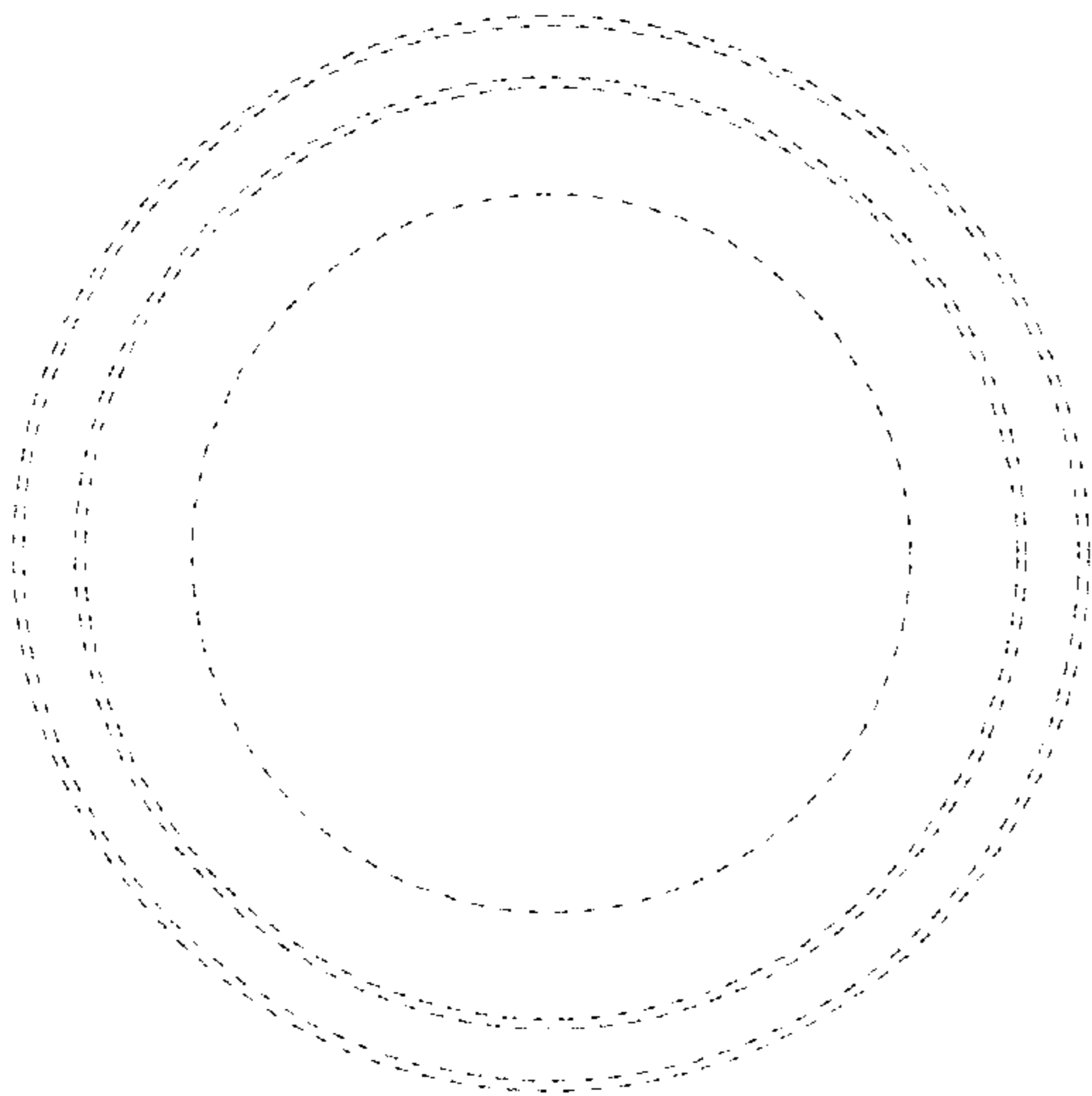


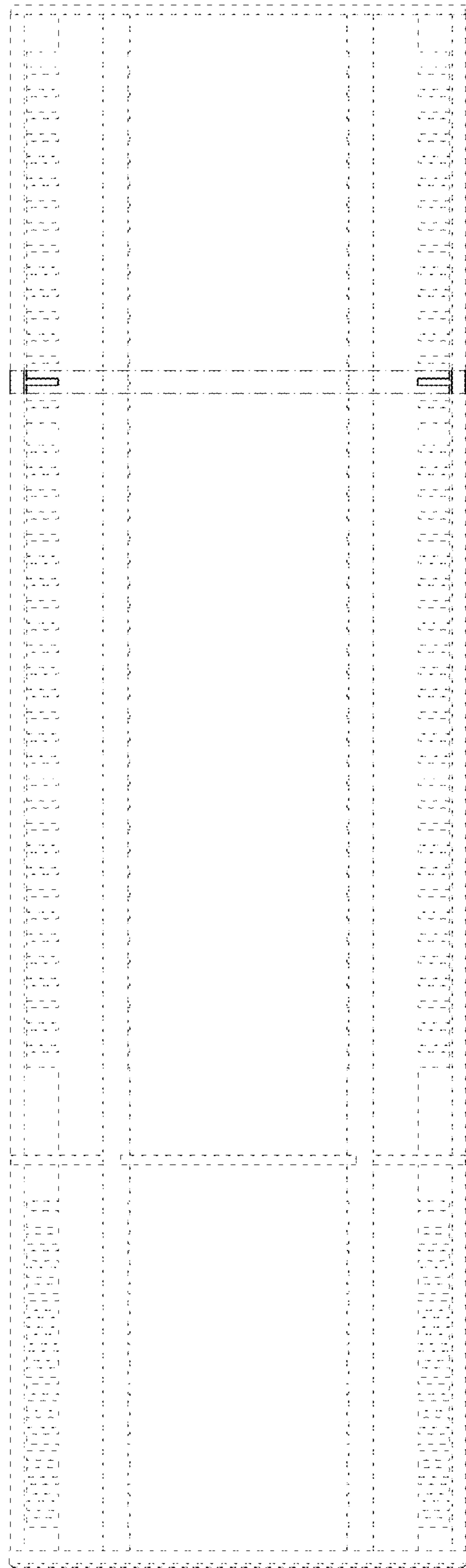
FIG. 4



*FIG. 5*



*FIG. 6*



*FIG. 7*

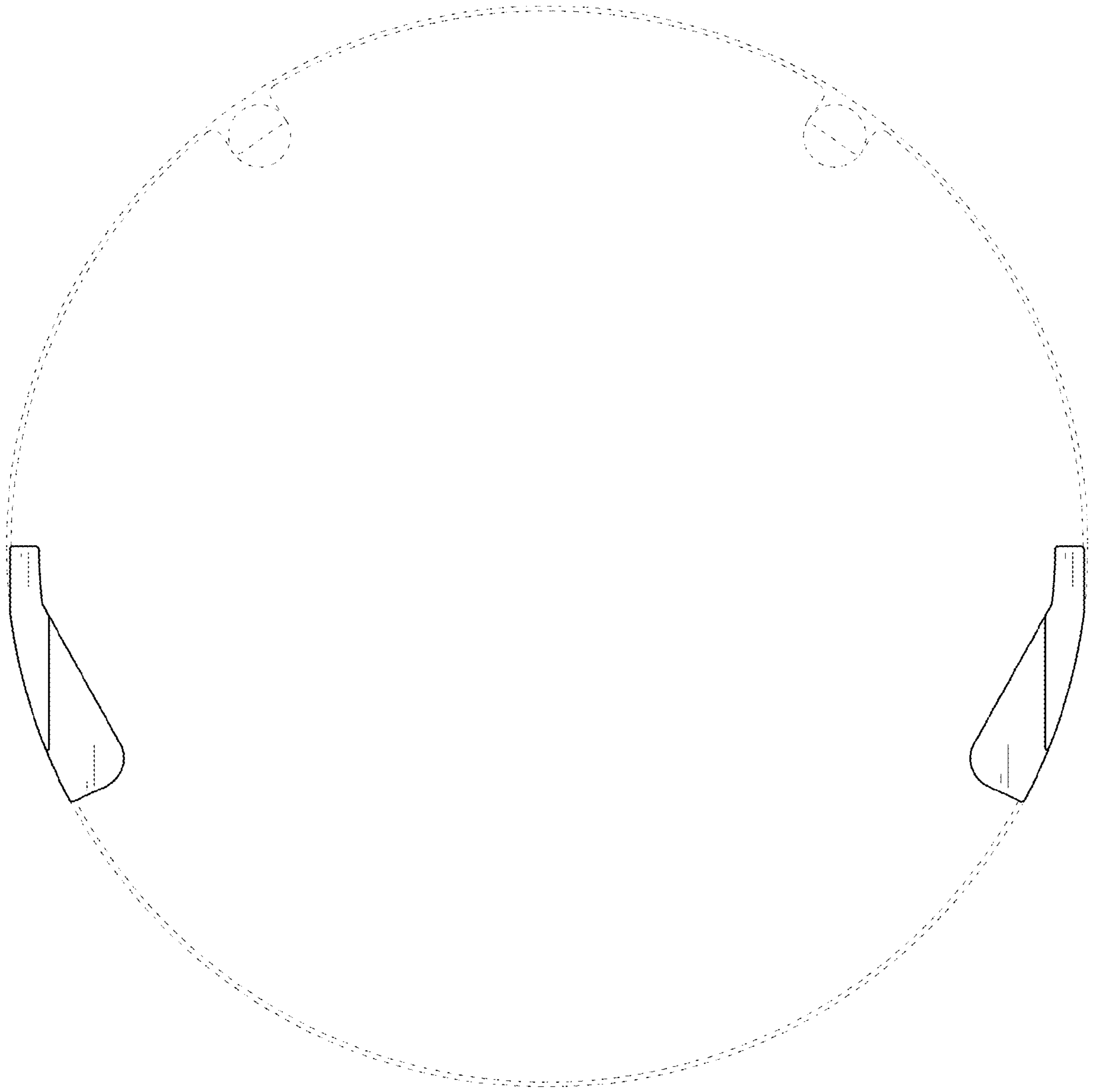
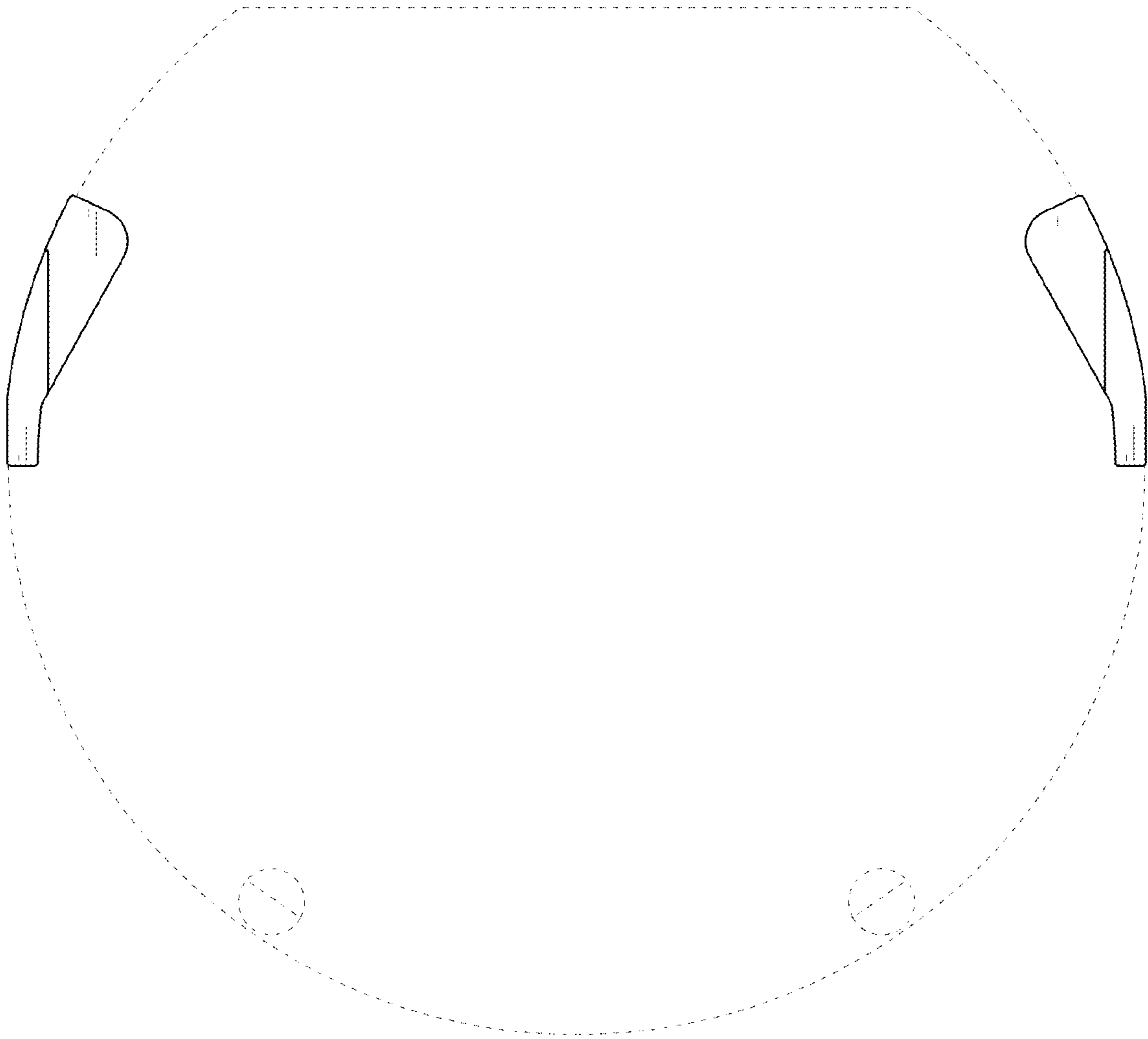
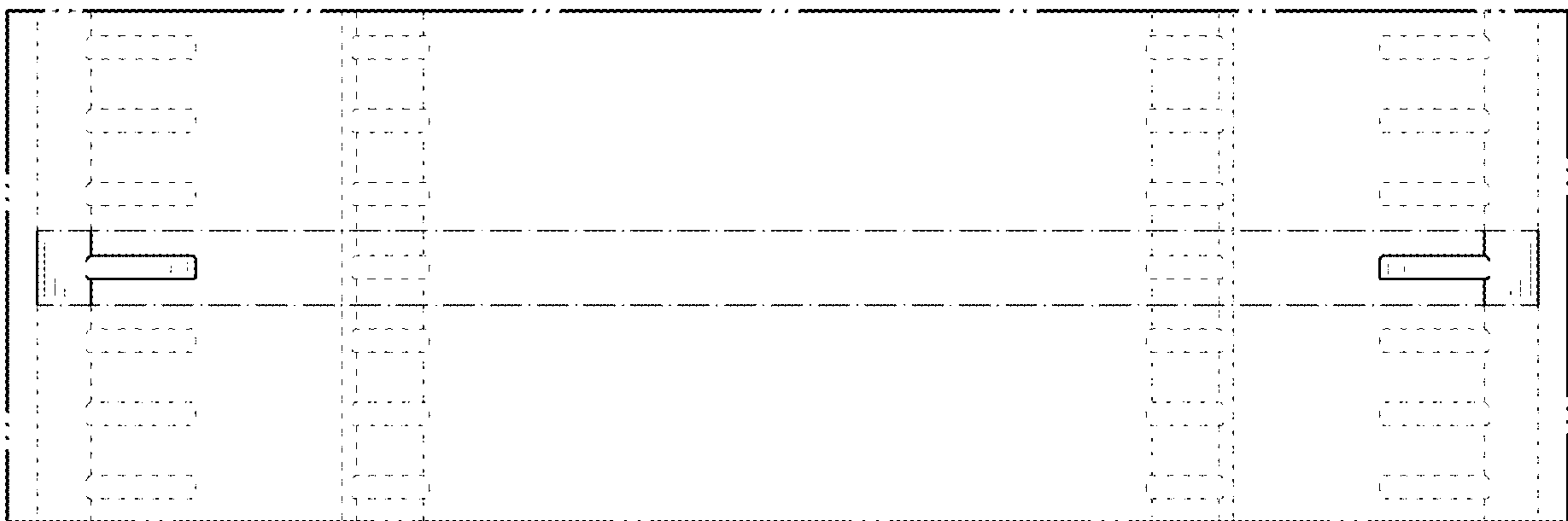


FIG. 8

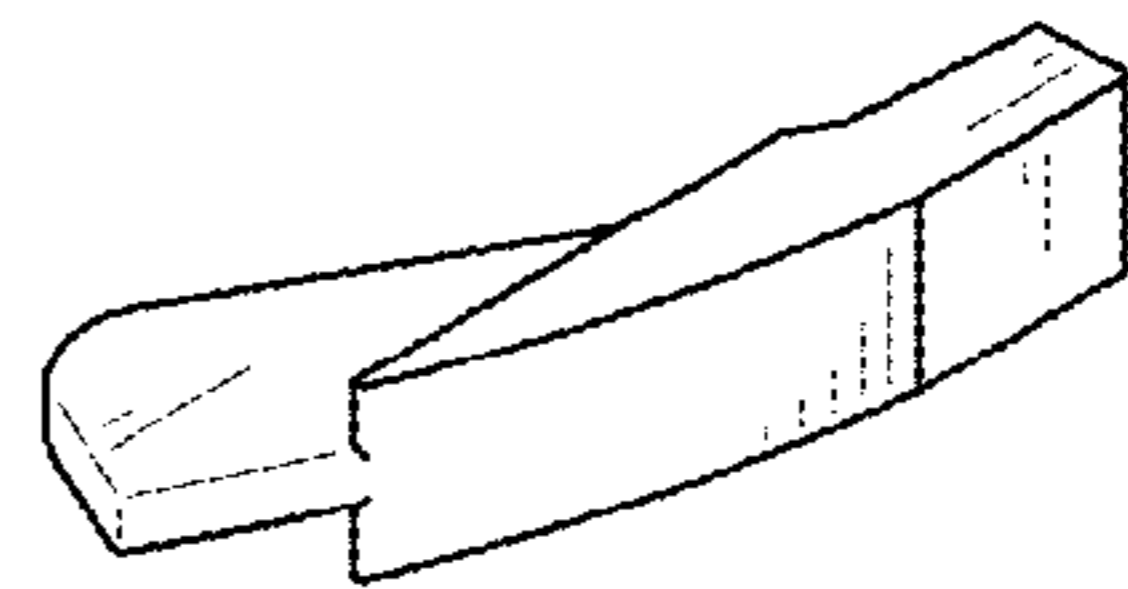
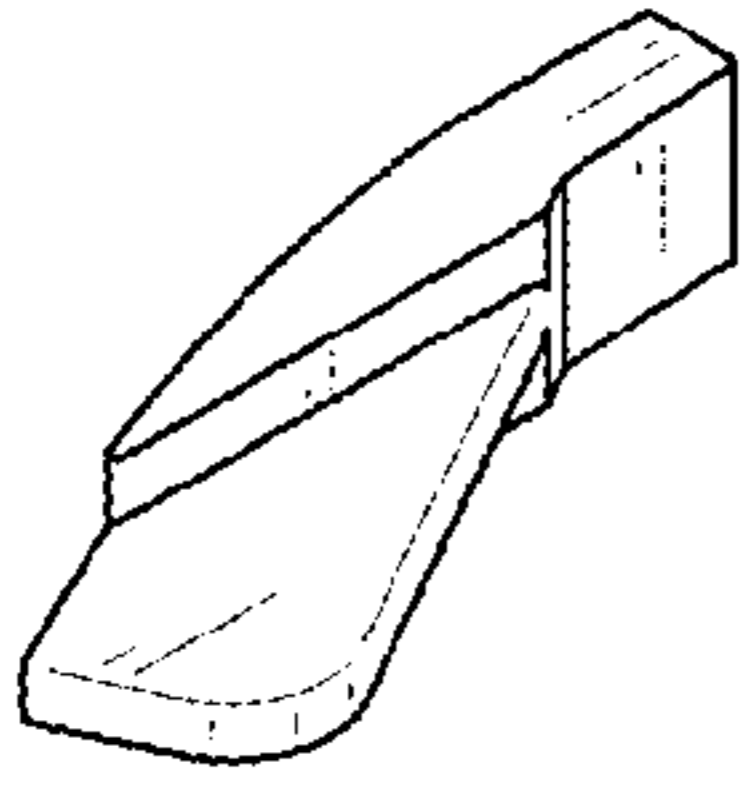


**FIG. 9**

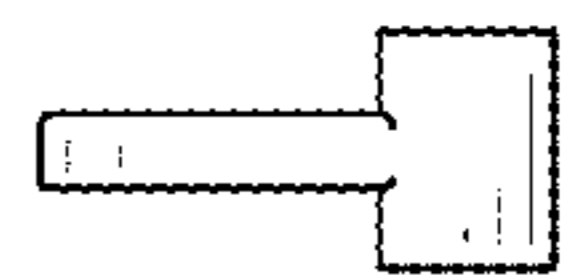
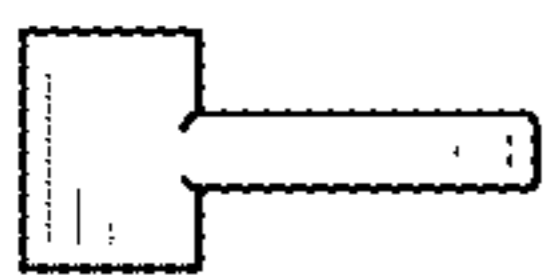


**FIG. 10**

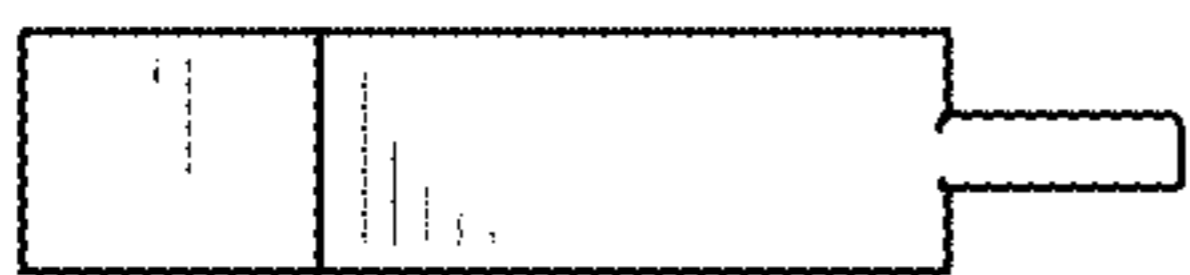




*FIG. 11*



*FIG. 12*



*FIG. 13*

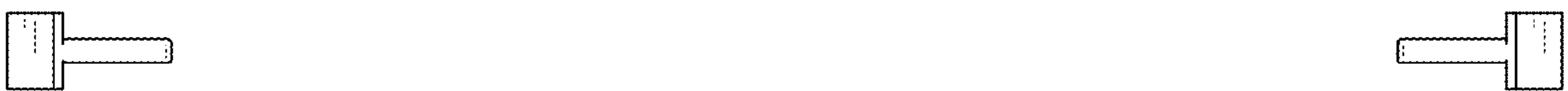
*FIG. 14*



*FIG. 15*



*FIG. 16*



*FIG. 17*