



US00D958089S

(12) **United States Design Patent**  
**Morishita et al.**

(10) **Patent No.:** **US D958,089 S**

(45) **Date of Patent:** **\*\* Jul. 19, 2022**

(54) **CONNECTOR**

(71) Applicant: **Japan Aviation Electronics Industry, Limited**, Tokyo (JP)

(72) Inventors: **Yukuya Morishita**, Tokyo (JP); **Yusuke Obata**, Tokyo (JP)

(73) Assignee: **JAPAN AVIATION ELECTRONICS INDUSTRY, LIMITED**, Tokyo (JP)

(\*\*) Term: **15 Years**

(21) Appl. No.: **29/759,627**

(22) Filed: **Nov. 24, 2020**

(30) **Foreign Application Priority Data**

Jun. 1, 2020 (JP) ..... 2020-010818 D

(51) **LOC (13) Cl.** ..... **13-03**

(52) **U.S. Cl.**  
USPC ..... **D13/147**

(58) **Field of Classification Search**  
USPC ..... D13/120, 123, 133, 146-147, 149, 154,  
D13/184, 199

(Continued)

(56) **References Cited**

**U.S. PATENT DOCUMENTS**

D639,746 S \* 6/2011 Lee ..... D13/147

D640,634 S \* 6/2011 Lee ..... D13/147

(Continued)

**OTHER PUBLICATIONS**

www.mouser.com, dated Jul. 2020, [online], [site visited Dec. 15, 2021]. Available from Internet, URL: [https://www.mouser.com/ProductDetail/JAE-Electronics/MX77D024SF1?qs=eP2BKZSCXI5TUca3zgmH9A%3D%3D&mgh=1&gclid=Cj0KCQiAweaNBhDEARIsAJ5hwbcYWIidGO1C2cC-6KiGXeNSU9AMvuQ-LVScHVIToOrJII1OTz9Si24aAoSEEALw\\_wcB](https://www.mouser.com/ProductDetail/JAE-Electronics/MX77D024SF1?qs=eP2BKZSCXI5TUca3zgmH9A%3D%3D&mgh=1&gclid=Cj0KCQiAweaNBhDEARIsAJ5hwbcYWIidGO1C2cC-6KiGXeNSU9AMvuQ-LVScHVIToOrJII1OTz9Si24aAoSEEALw_wcB) (Year: 2020).\*

*Primary Examiner* — Shawn T Gingrich

*Assistant Examiner* — Anton Dennis Murray

(74) *Attorney, Agent, or Firm* — Manabu Kanesaka

(57) **CLAIM**

The ornamental design for a connector, as shown and described.

**DESCRIPTION**

FIG. 1 is a front elevational view of the first configuration of a connector showing our new design; FIG. 2 is a rear elevational view thereof; FIG. 3 is a right side elevational view thereof; FIG. 4 is a left side elevational view thereof; FIG. 5 is a top plan view thereof; FIG. 6 is a bottom plan view thereof; FIG. 7 is a cross-sectional view thereof taken along a line 7-7 in FIG. 1; FIG. 8 is a cross-sectional view thereof taken along a line 8-8 in FIG. 1; FIG. 9 is a perspective view showing a front, top and right side thereof; FIG. 10 is a perspective view showing a rear, bottom and left side thereof; FIG. 11 is a perspective view showing a front, right and bottom side thereof; FIG. 12 is a perspective view showing a rear, left and top side thereof; FIG. 13 is a front elevational view of the second configuration of a connector showing our new design, wherein a hinge portion is in a closed state; FIG. 14 is a rear elevational view thereof; FIG. 15 is a right side elevational view thereof; FIG. 16 is a left side elevational view thereof; FIG. 17 is a top plan view thereof; FIG. 18 is a bottom plan view thereof; FIG. 19 is a cross-sectional view thereof taken along a line 19-19 in FIG. 13; FIG. 20 is a cross-sectional view thereof taken along a line 20-20 in FIG. 13; FIG. 21 is a perspective view showing a front, top and right side thereof;

(Continued)

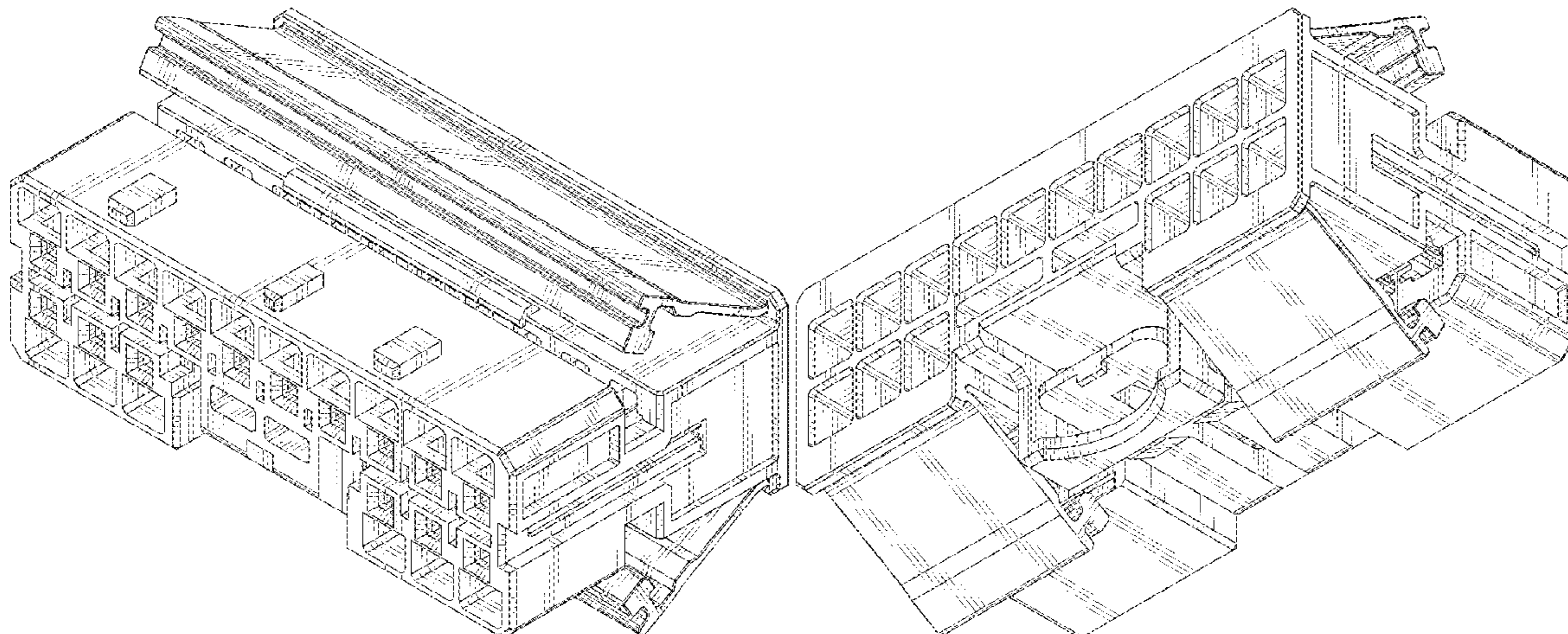


FIG. 22 is a perspective view showing a rear, bottom and left side thereof;

FIG. 23 is a perspective view showing a front, right and bottom side thereof; and,

FIG. 24 is a perspective view showing a rear, left and top side thereof.

The broken line showing of the connector is for the purpose of illustrating portions of the article and forms no part of the claimed design.

**1 Claim, 12 Drawing Sheets**

(58) **Field of Classification Search**

CPC .... H01R 4/028; H01R 12/716; H01R 12/707;  
H01R 12/57; H01R 13/04; H01R 13/502;  
H01R 13/629; H01R 12/7005; H05K  
1/18; H05K 7/00; H05K 7/20; H02M  
7/00; H01L 25/07; H01L 25/16; H01L  
25/18; H01L 23/00; H01L 23/31

See application file for complete search history.

(56) **References Cited**

U.S. PATENT DOCUMENTS

9,455,532 B2 \* 9/2016 Ueda ..... H01R 13/405  
D913,952 S \* 3/2021 Obata ..... D13/147  
D924,162 S \* 7/2021 Yokoyama ..... D13/147

\* cited by examiner

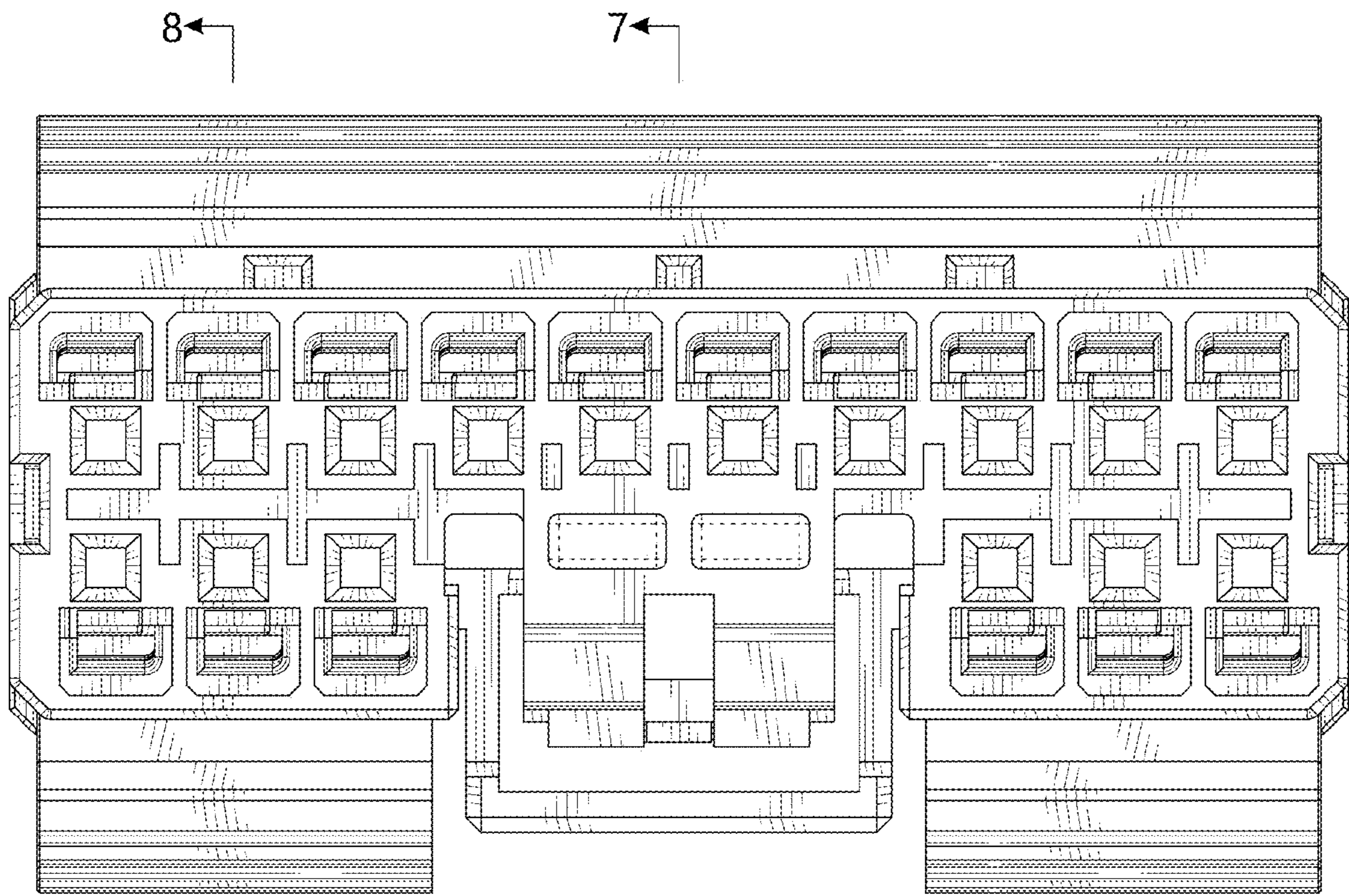


FIG. 1

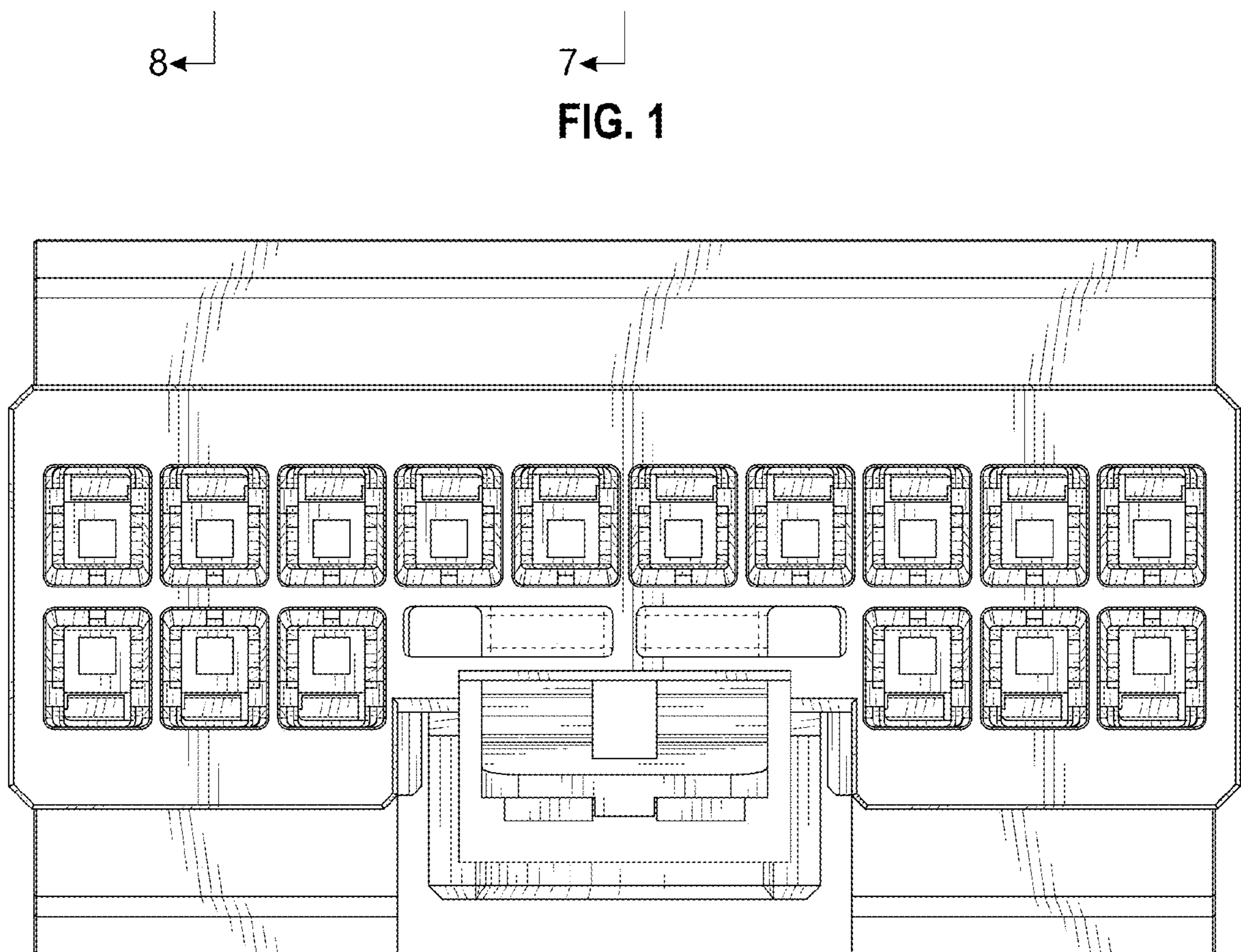


FIG. 2

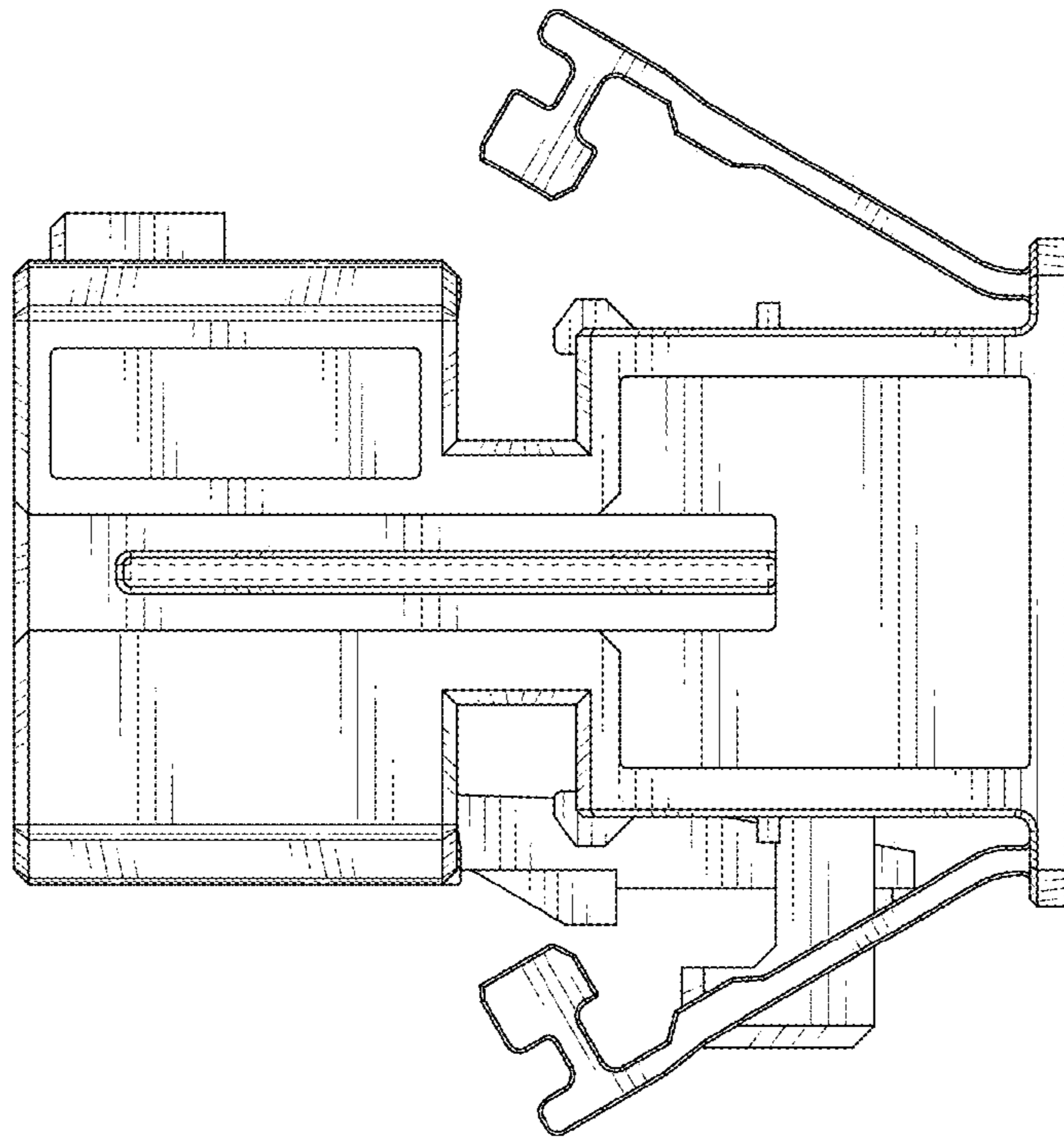


FIG. 3

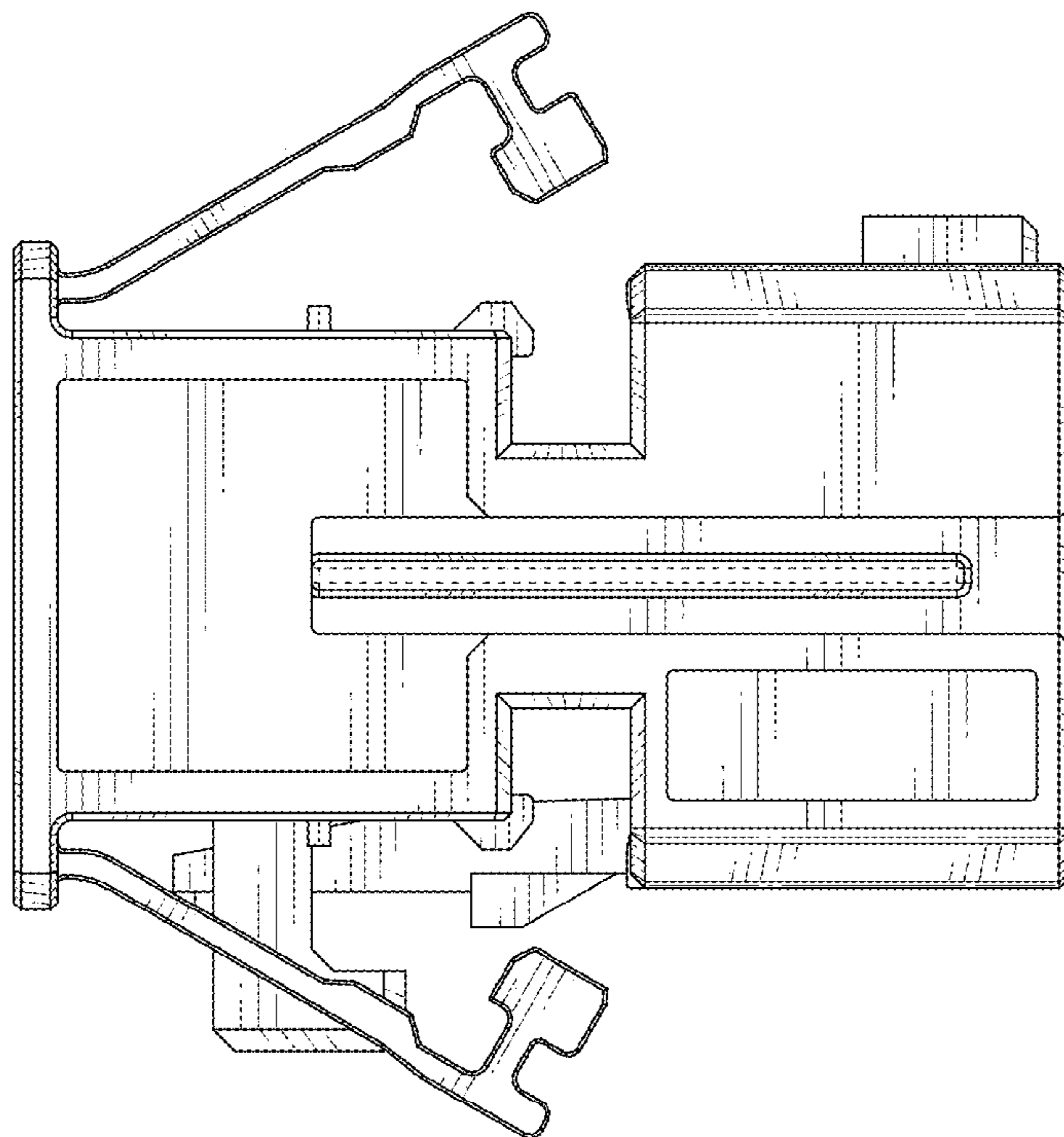


FIG. 4

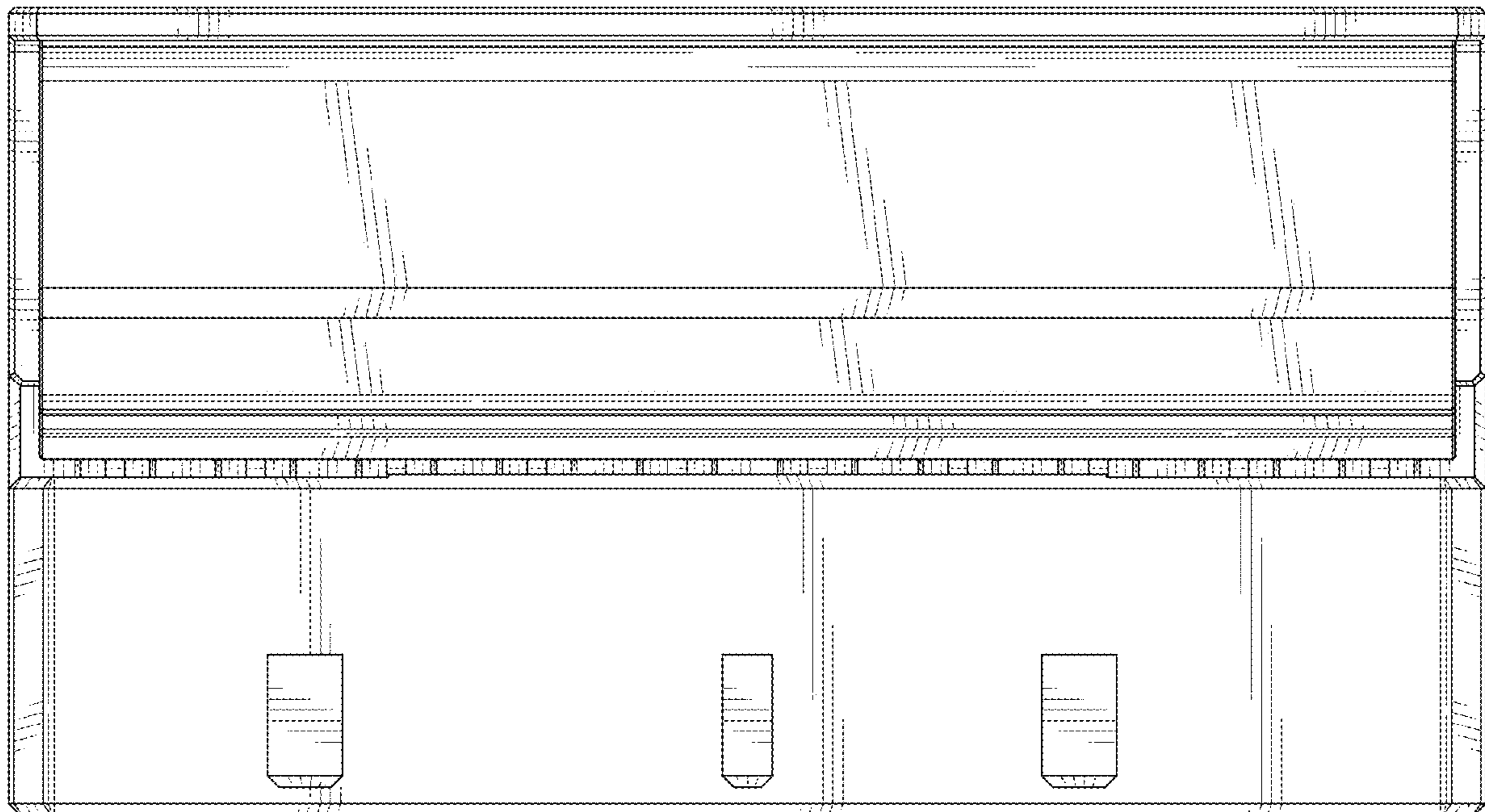


FIG. 5

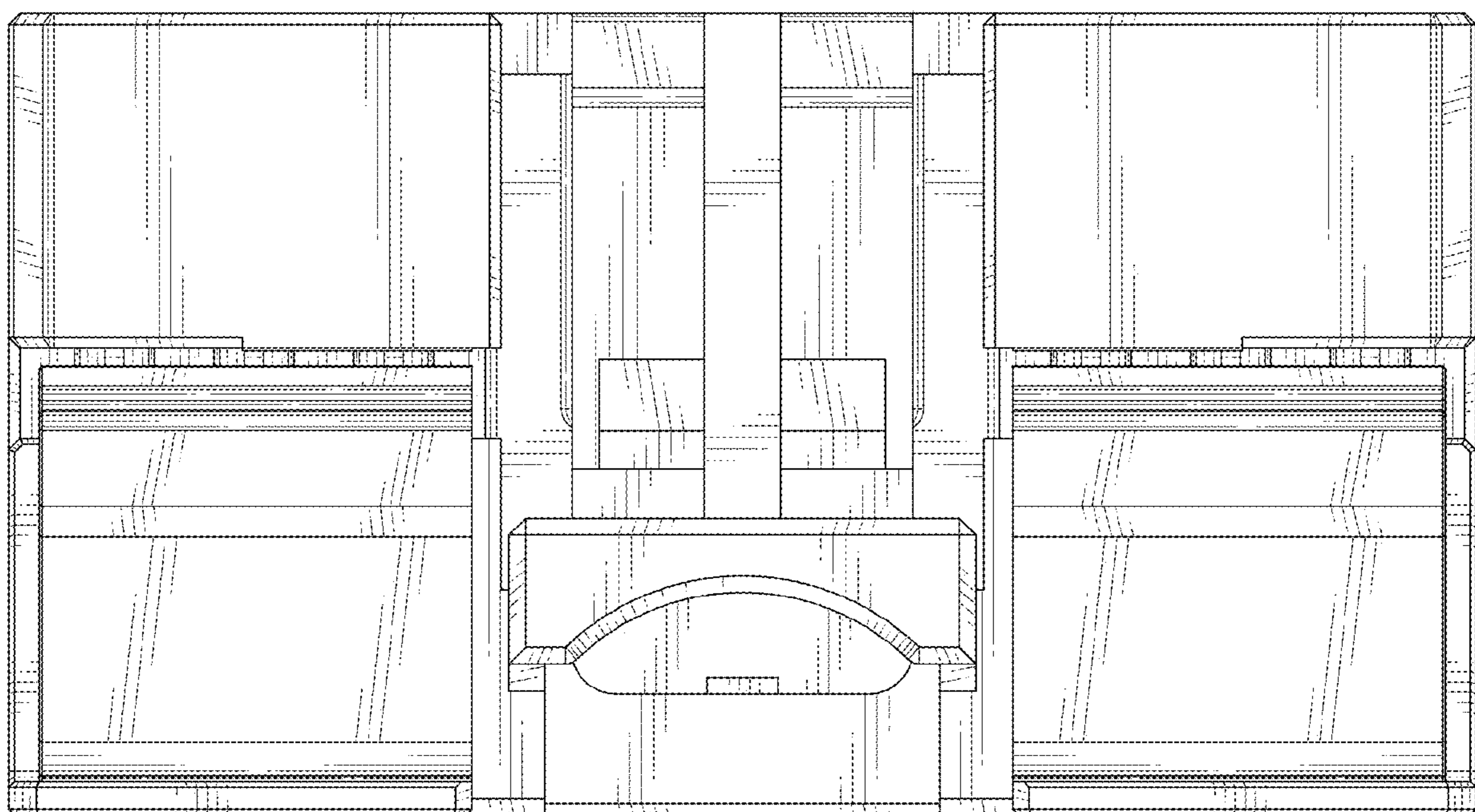


FIG. 6

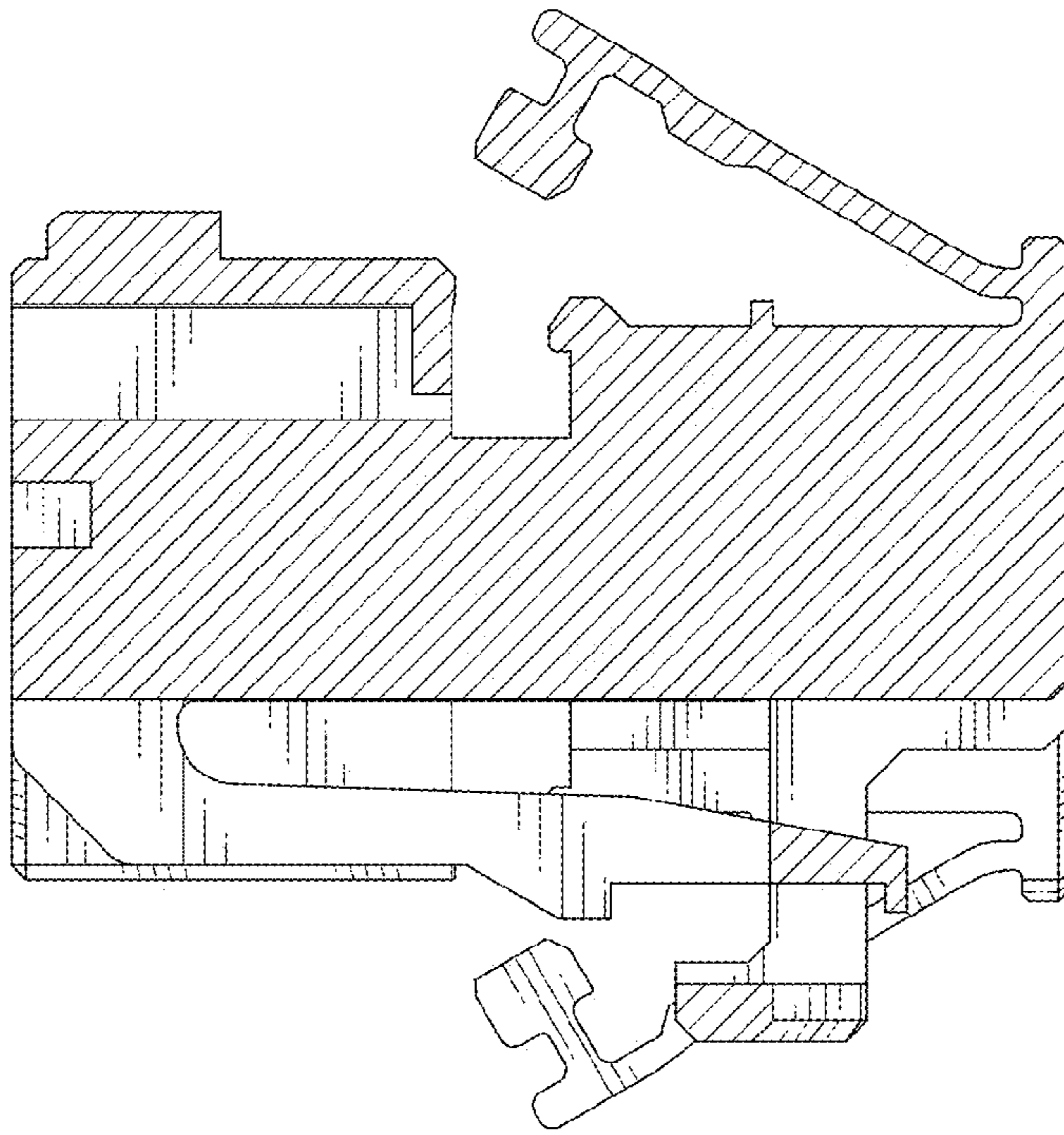


FIG. 7

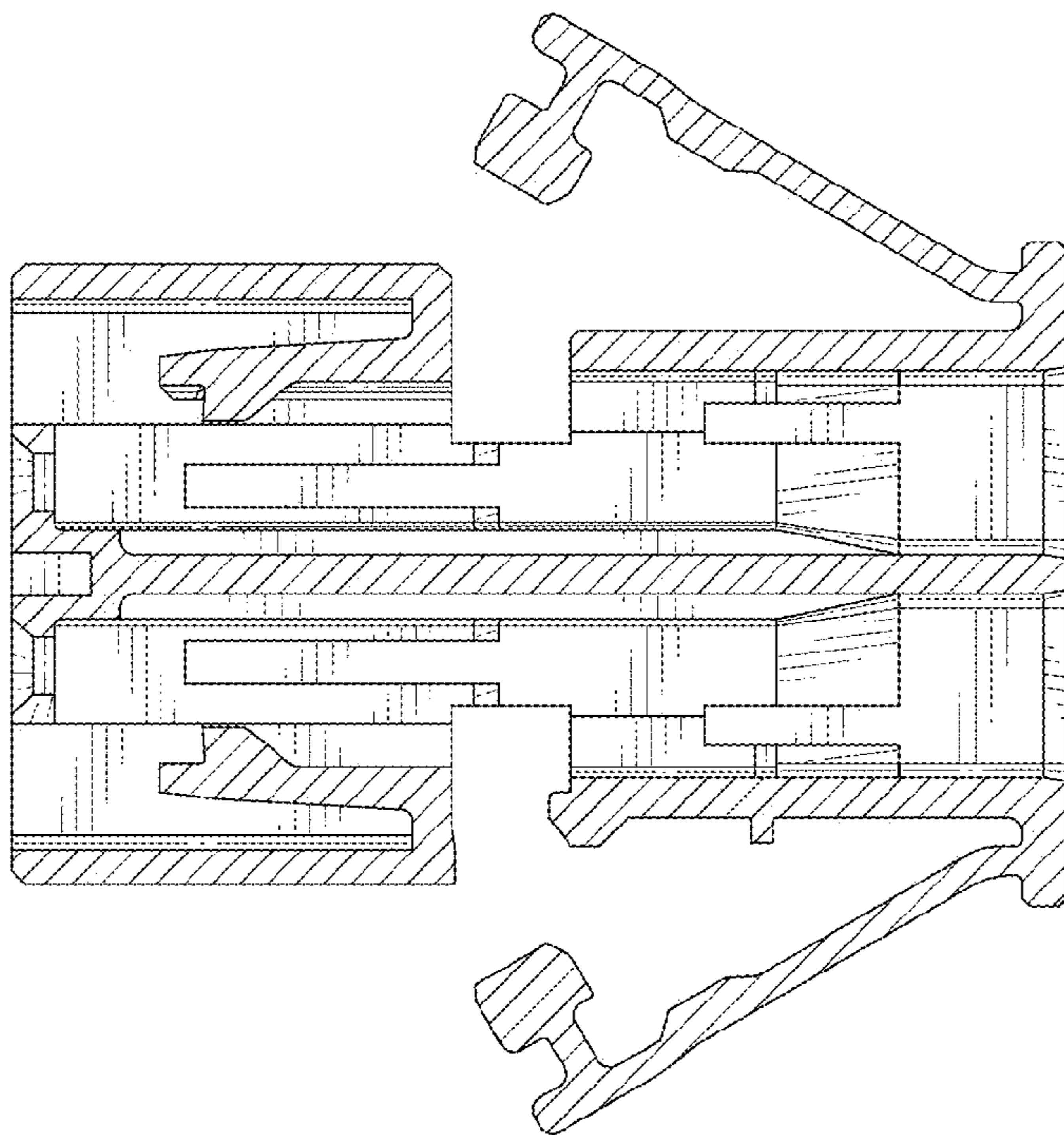


FIG. 8

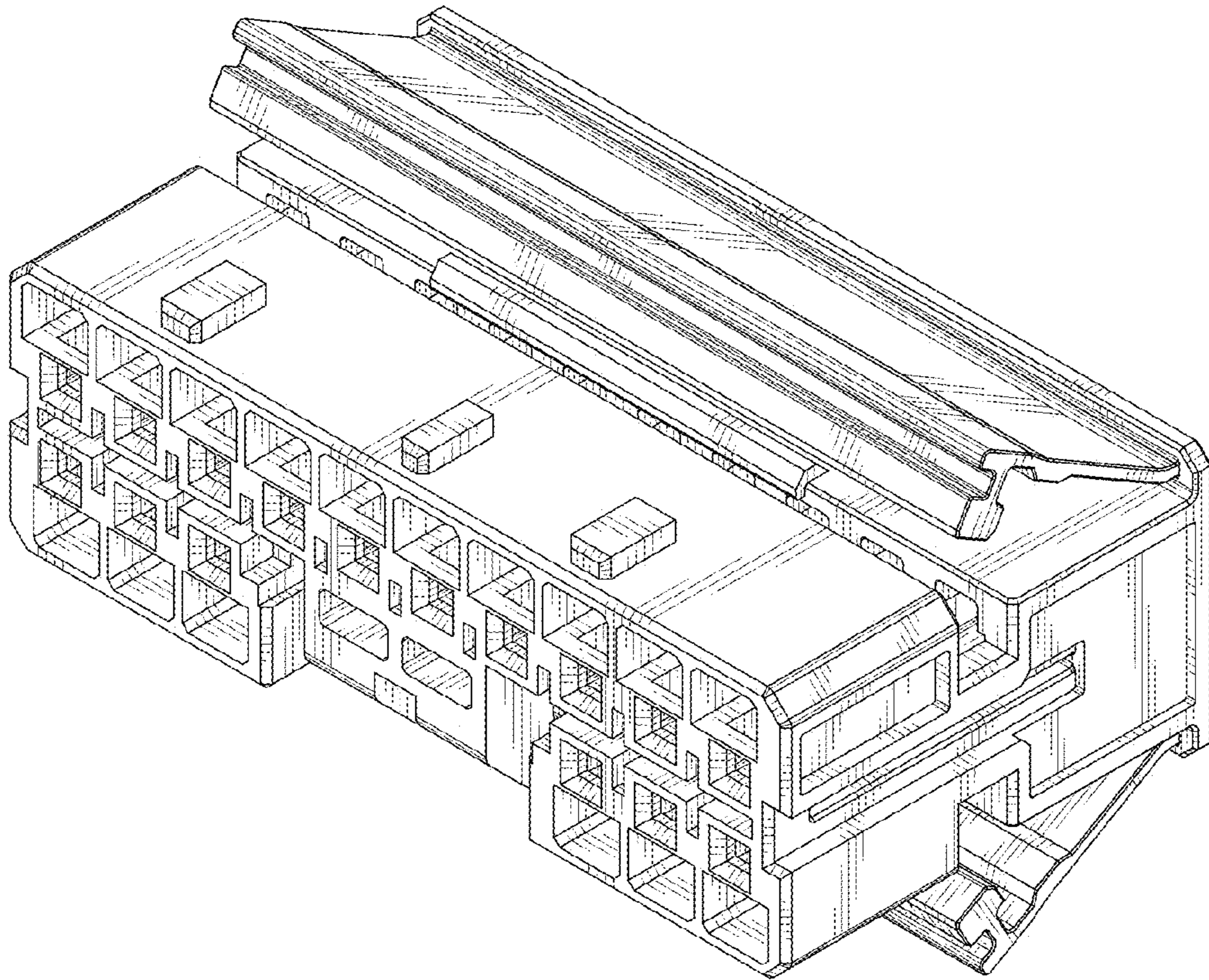


FIG. 9

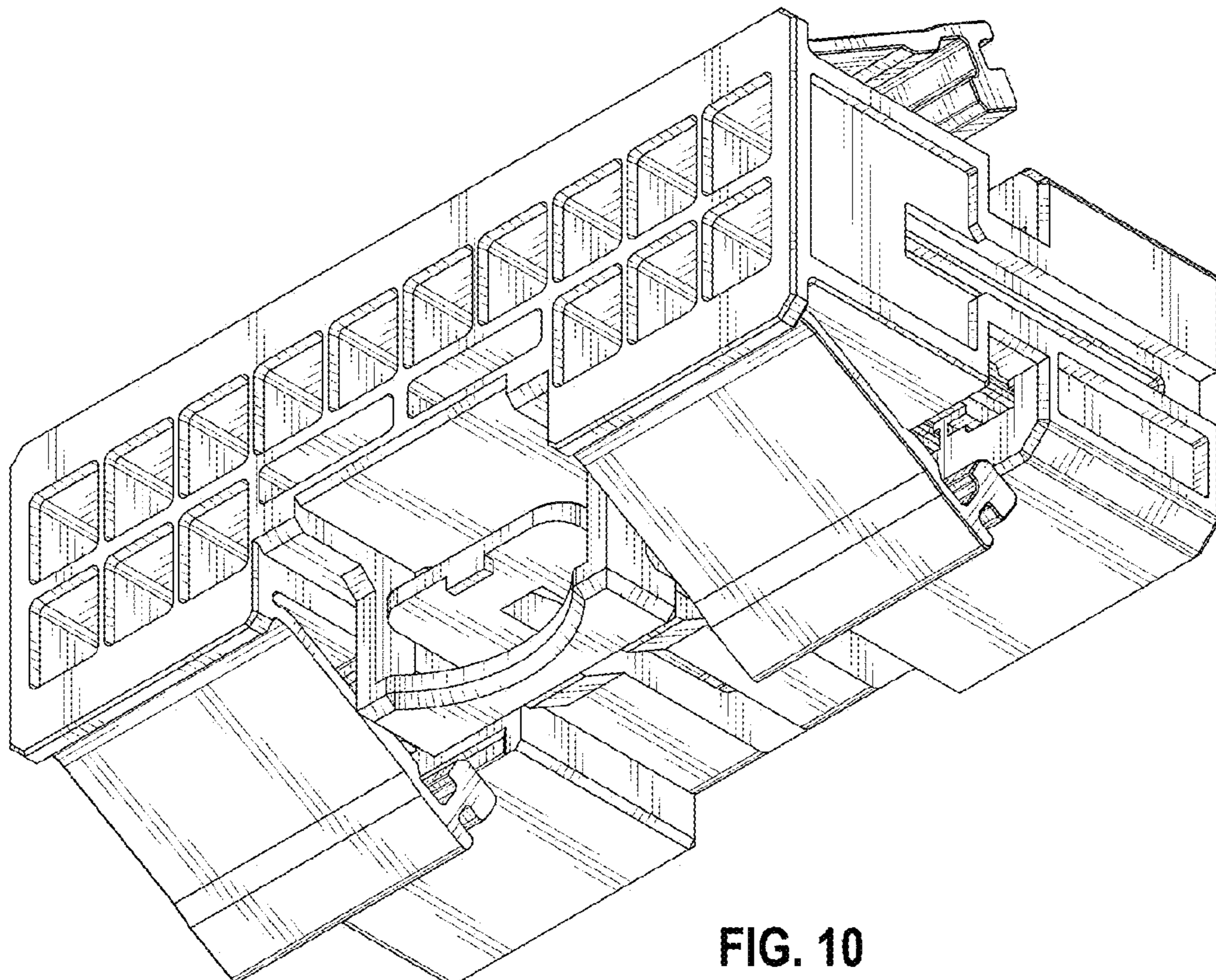


FIG. 10

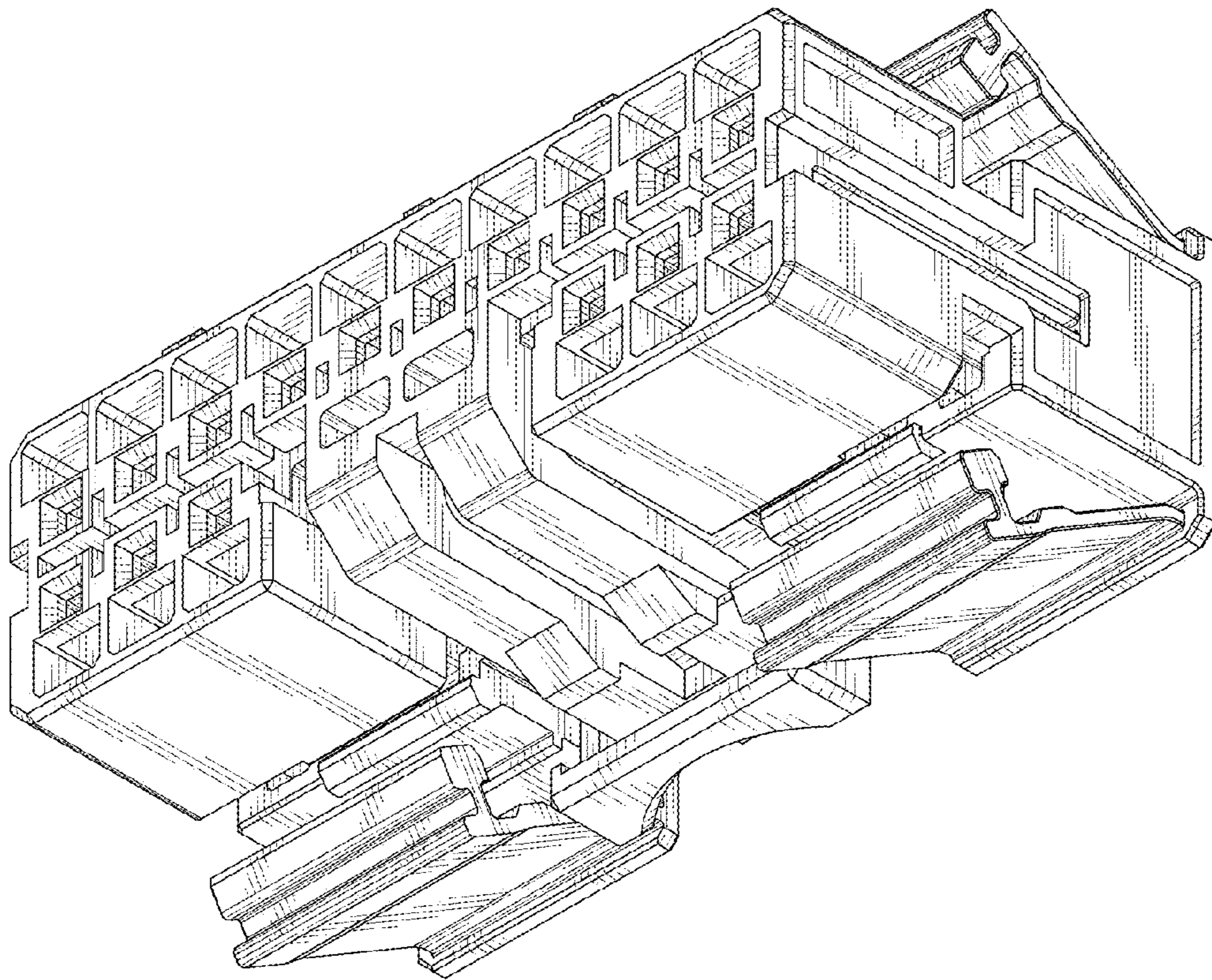


FIG. 11

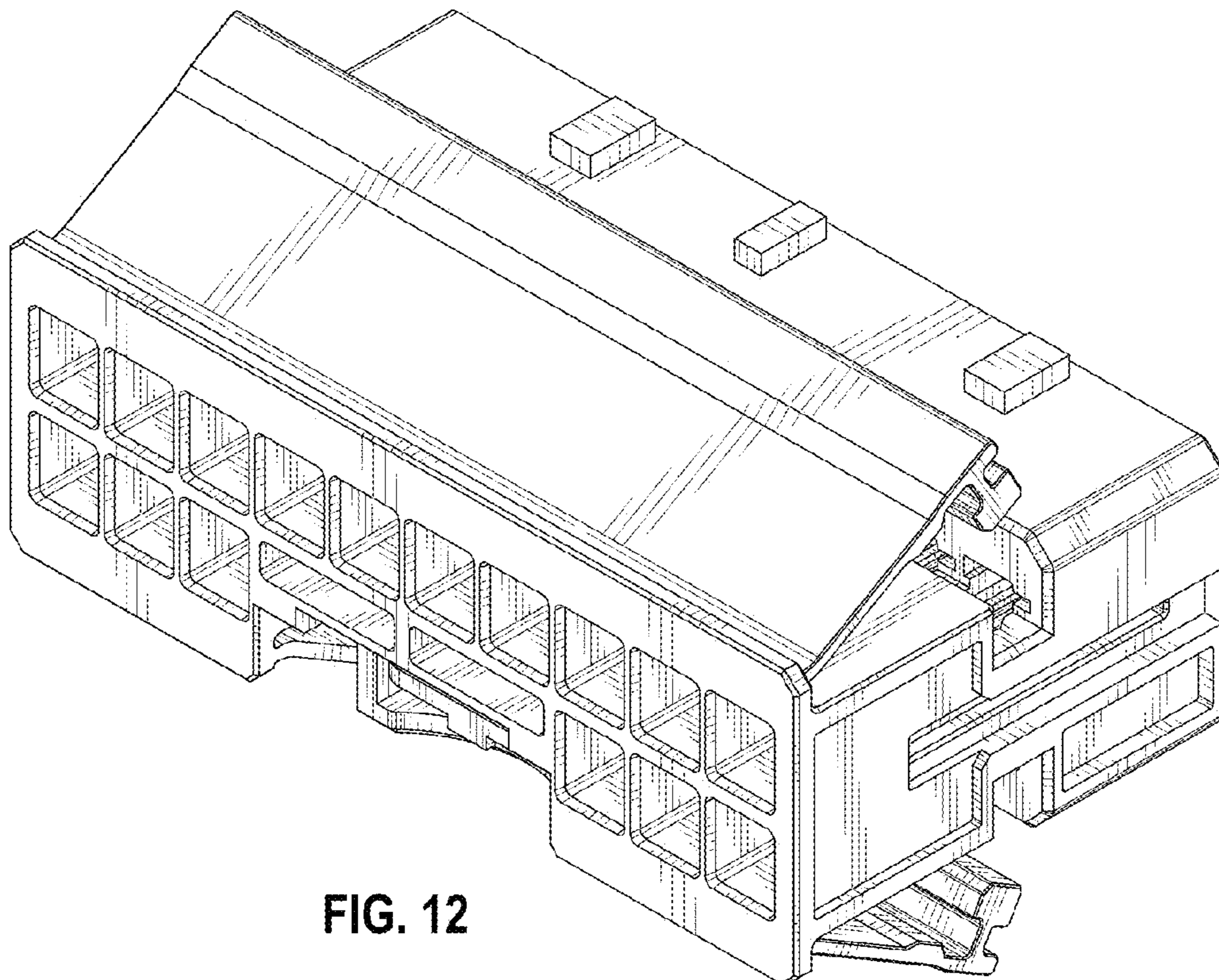


FIG. 12



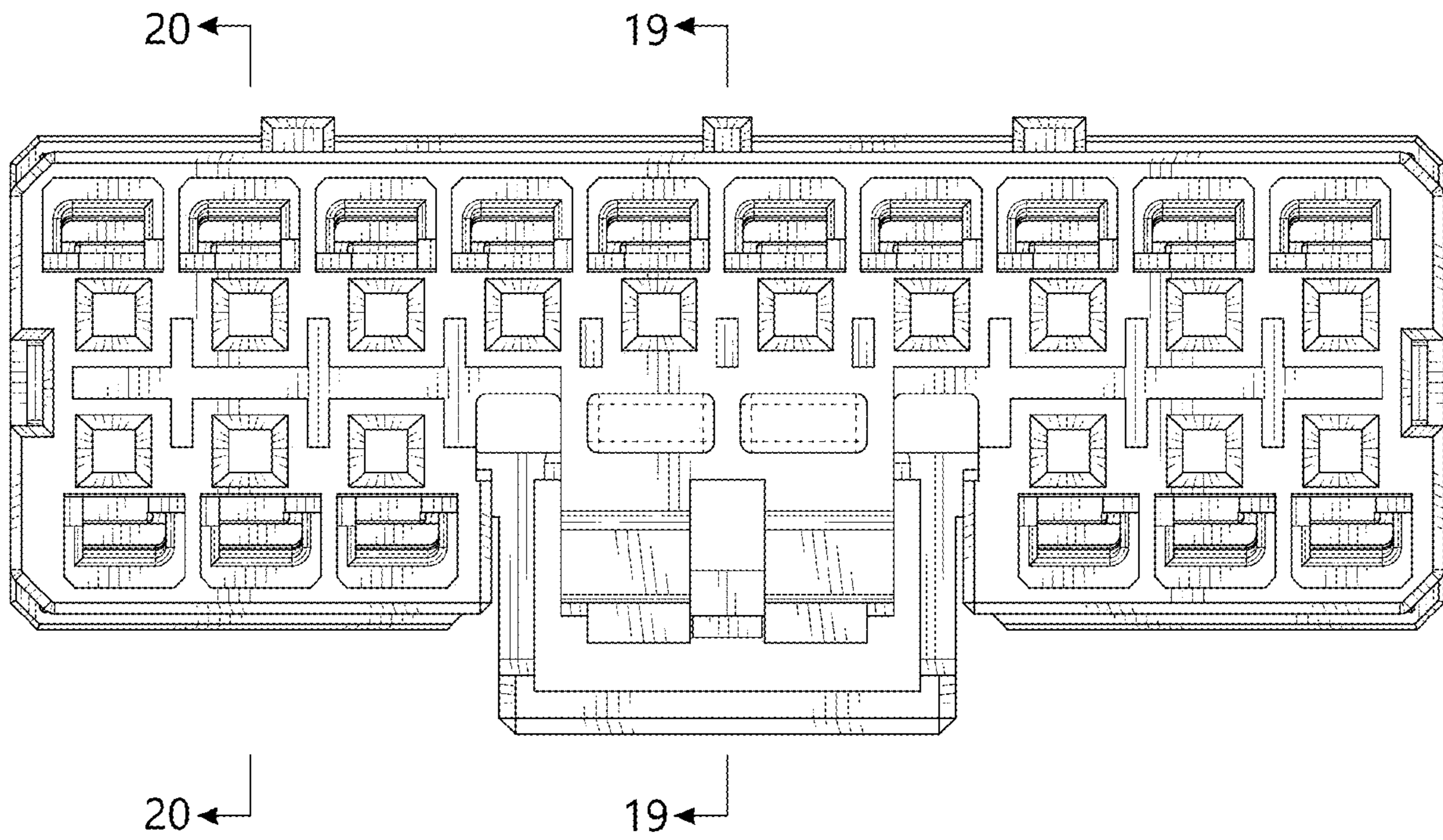


FIG. 13

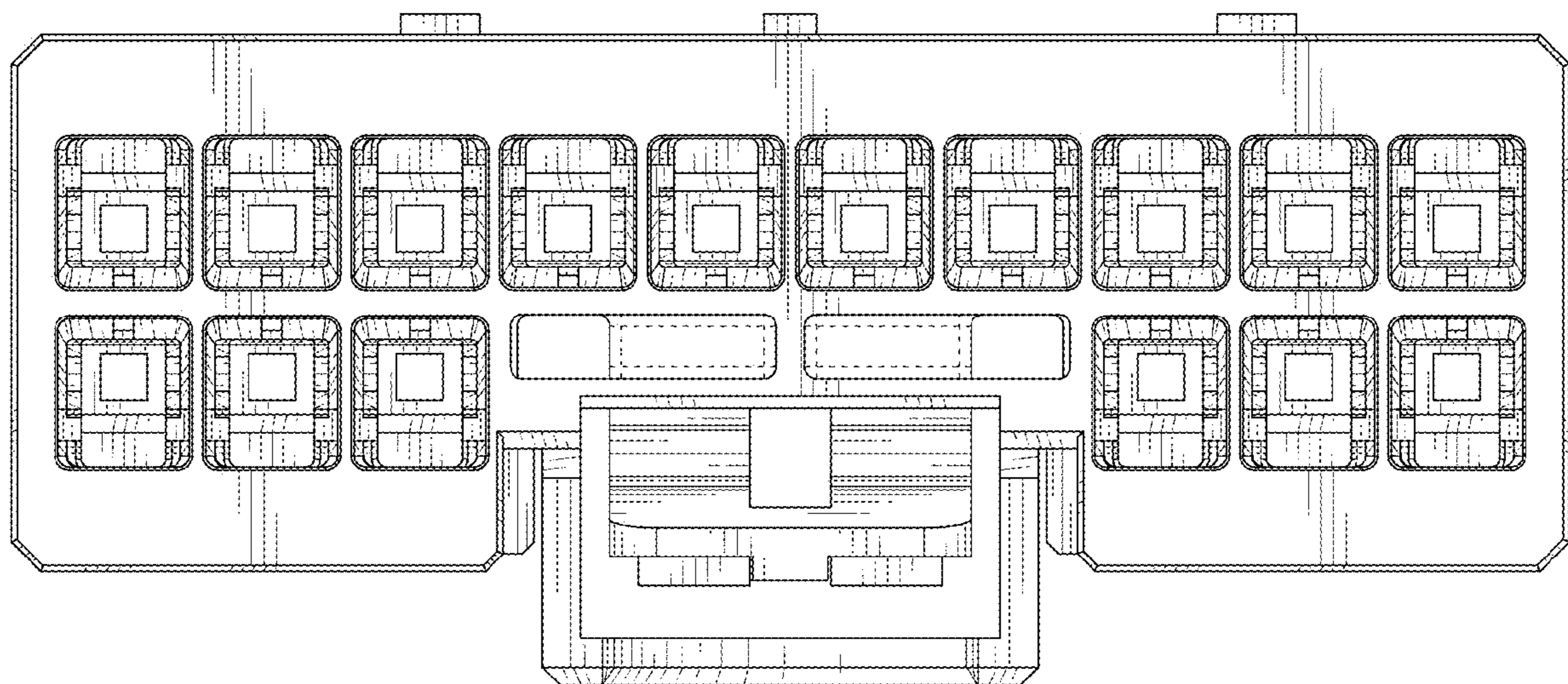


FIG. 14

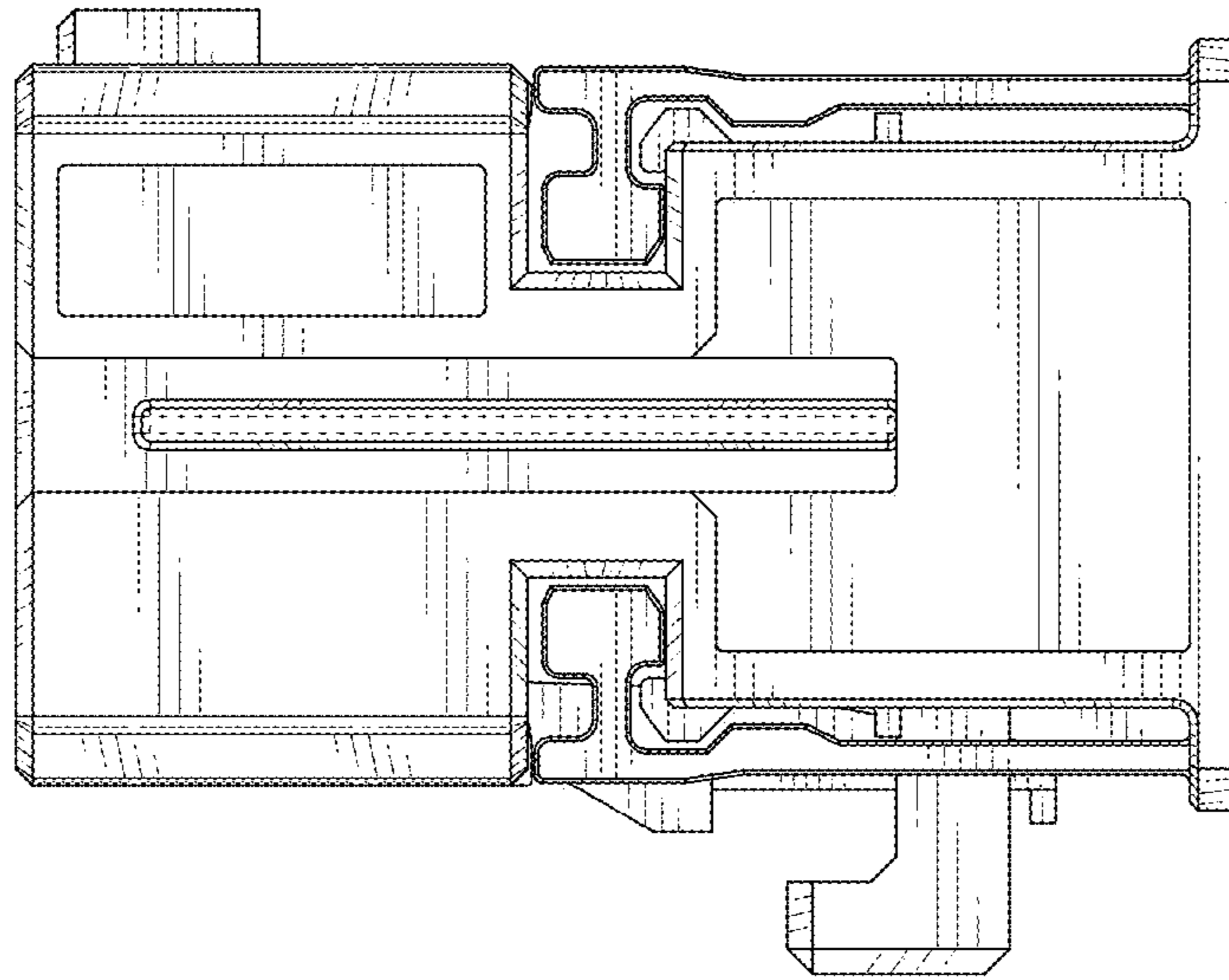


FIG. 15

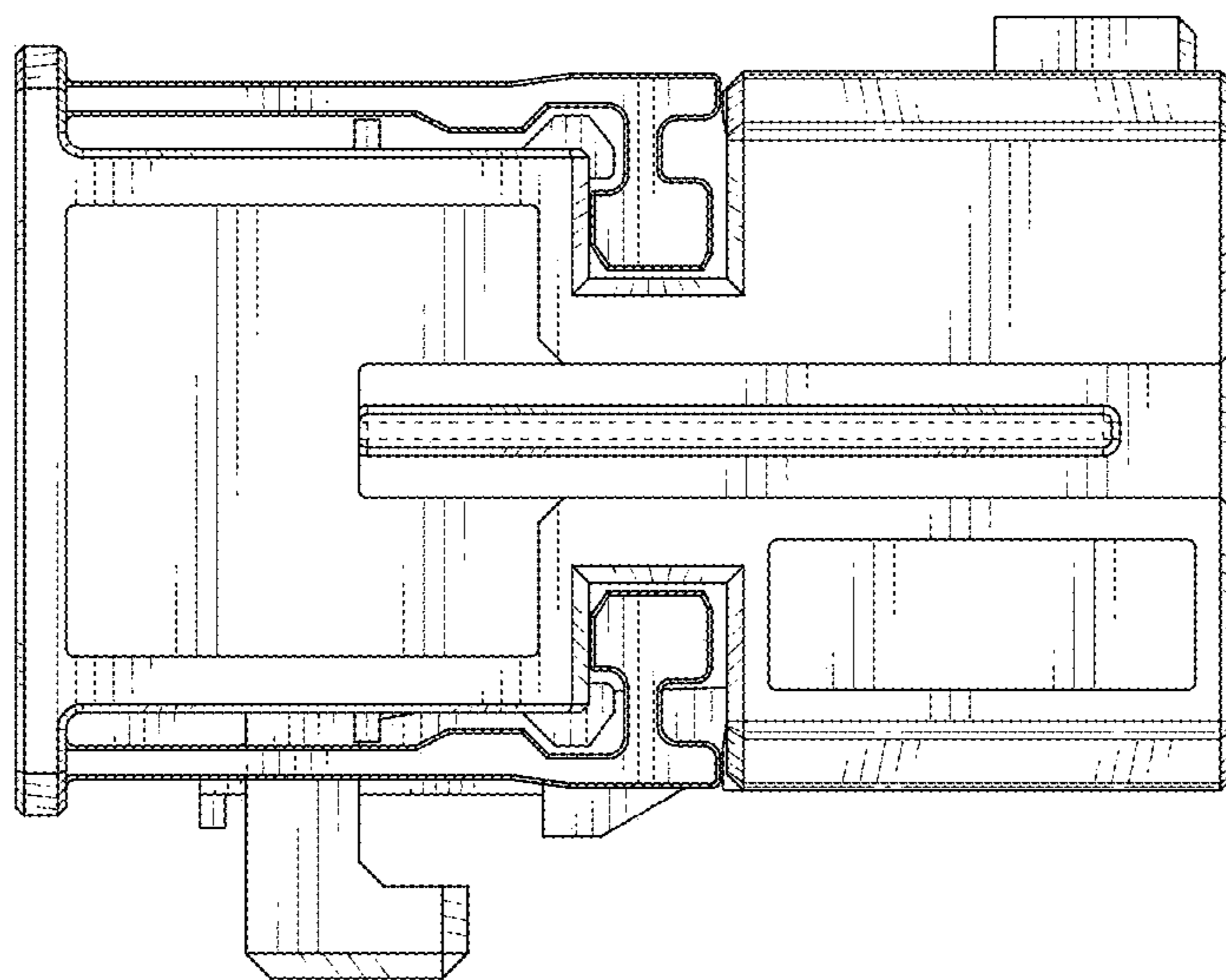


FIG. 16

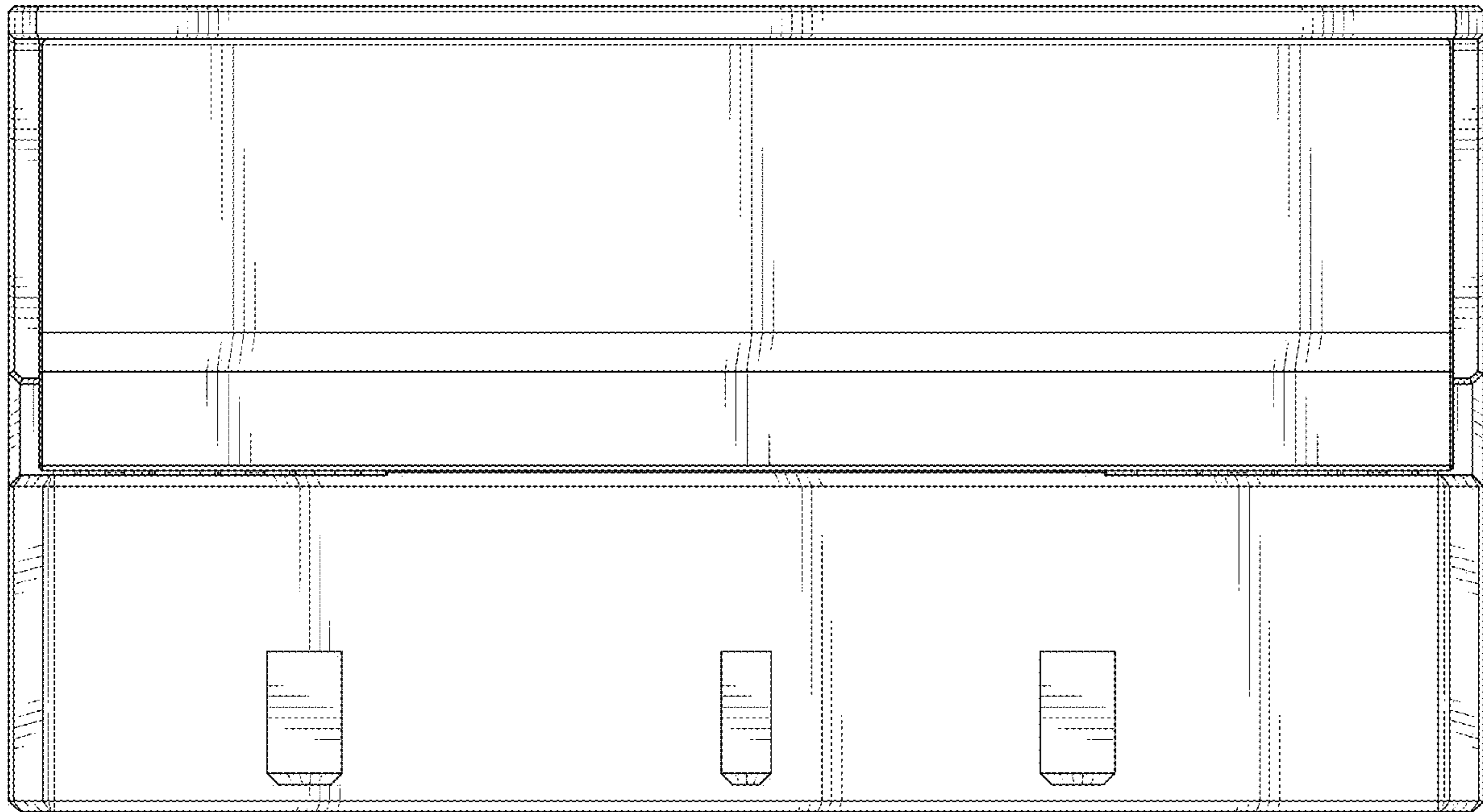


FIG. 17

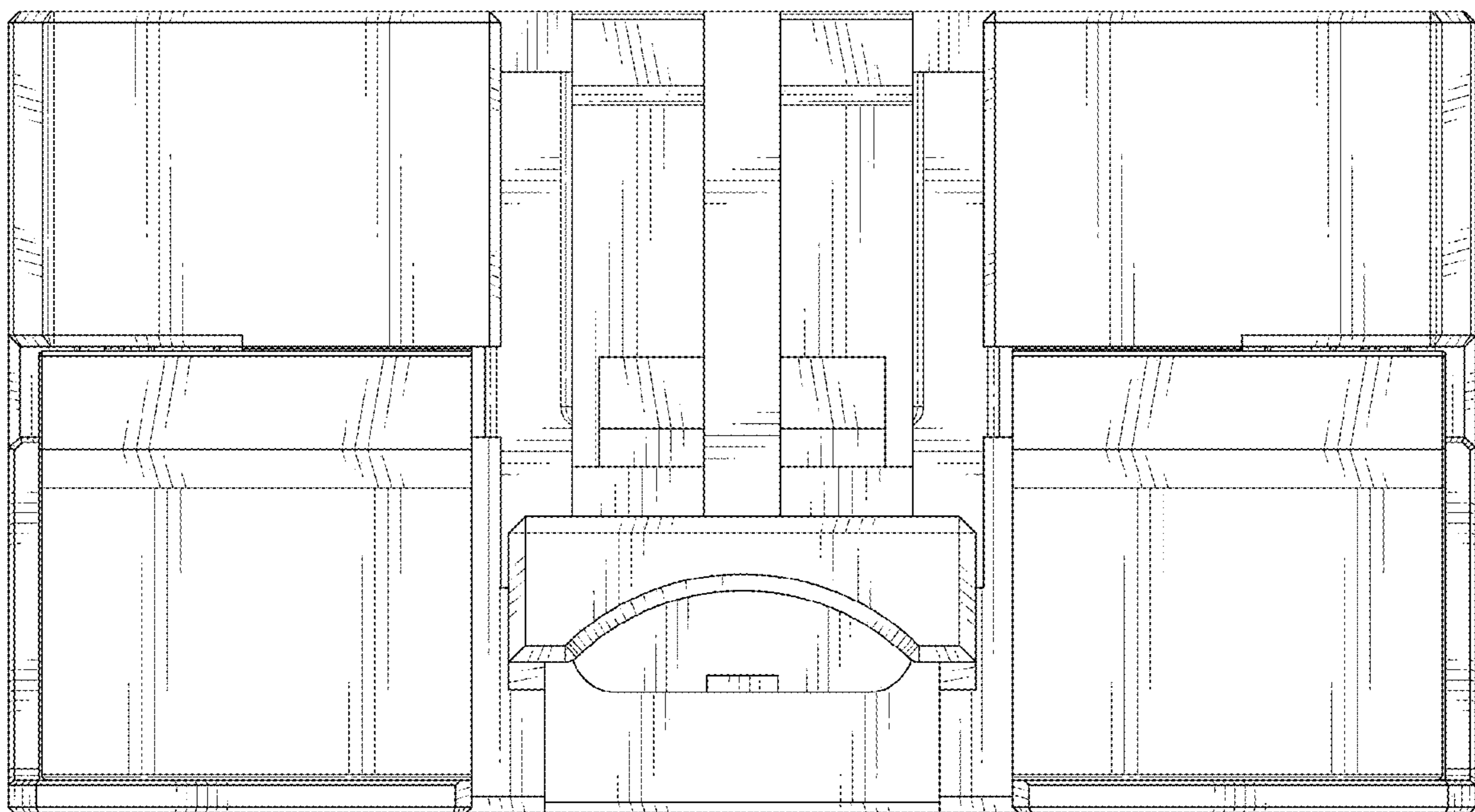


FIG. 18

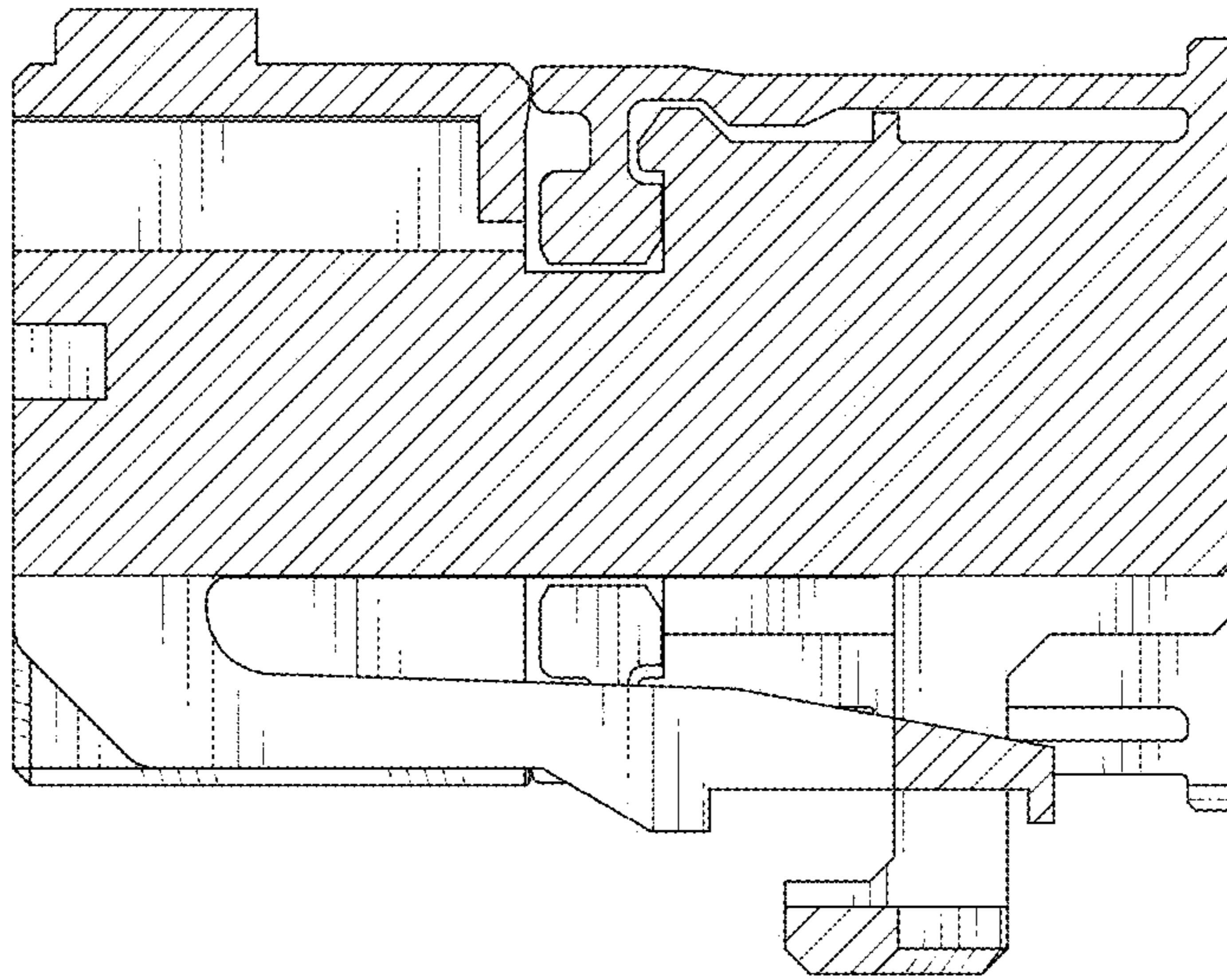


FIG. 19

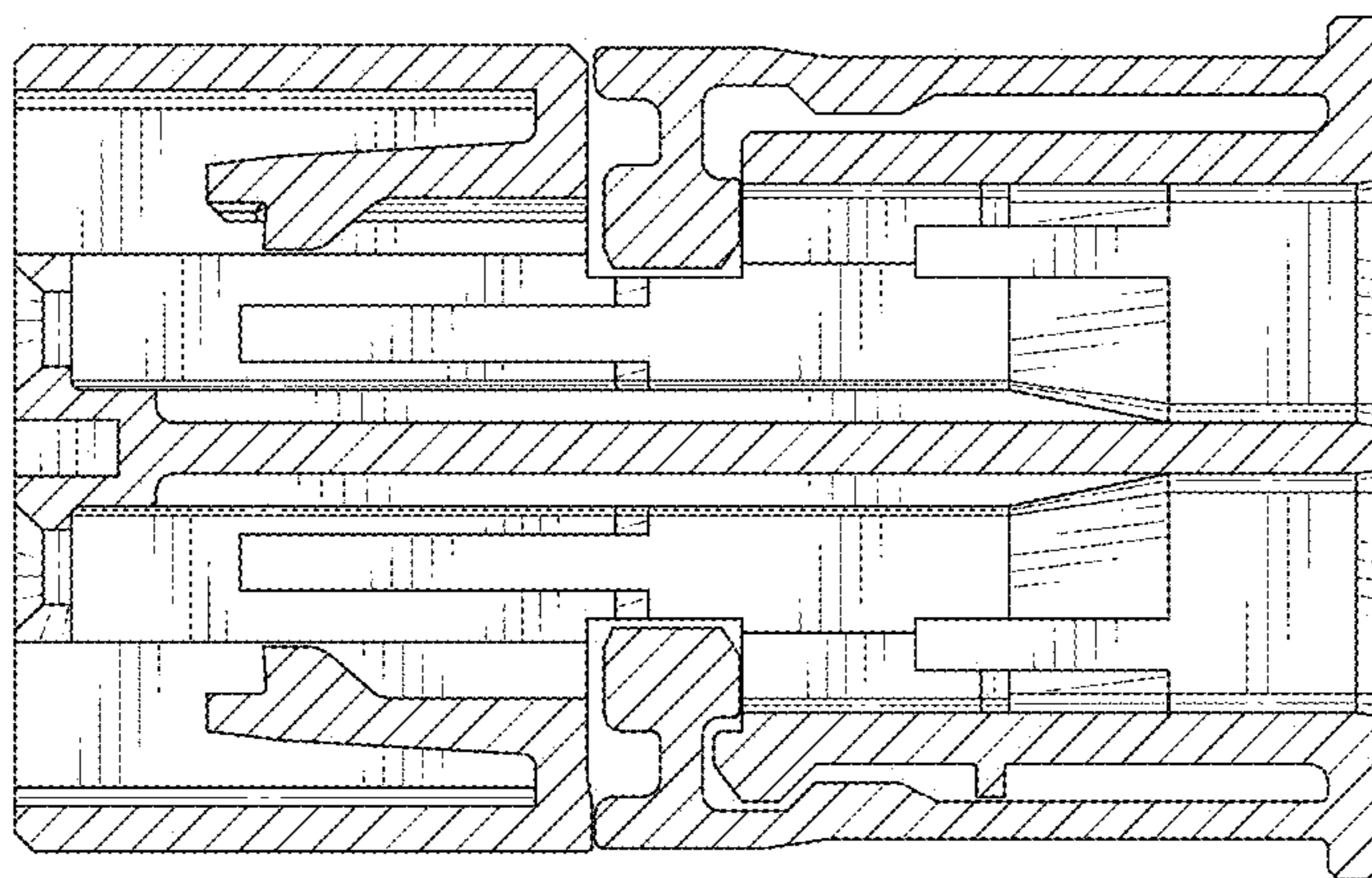


FIG. 20

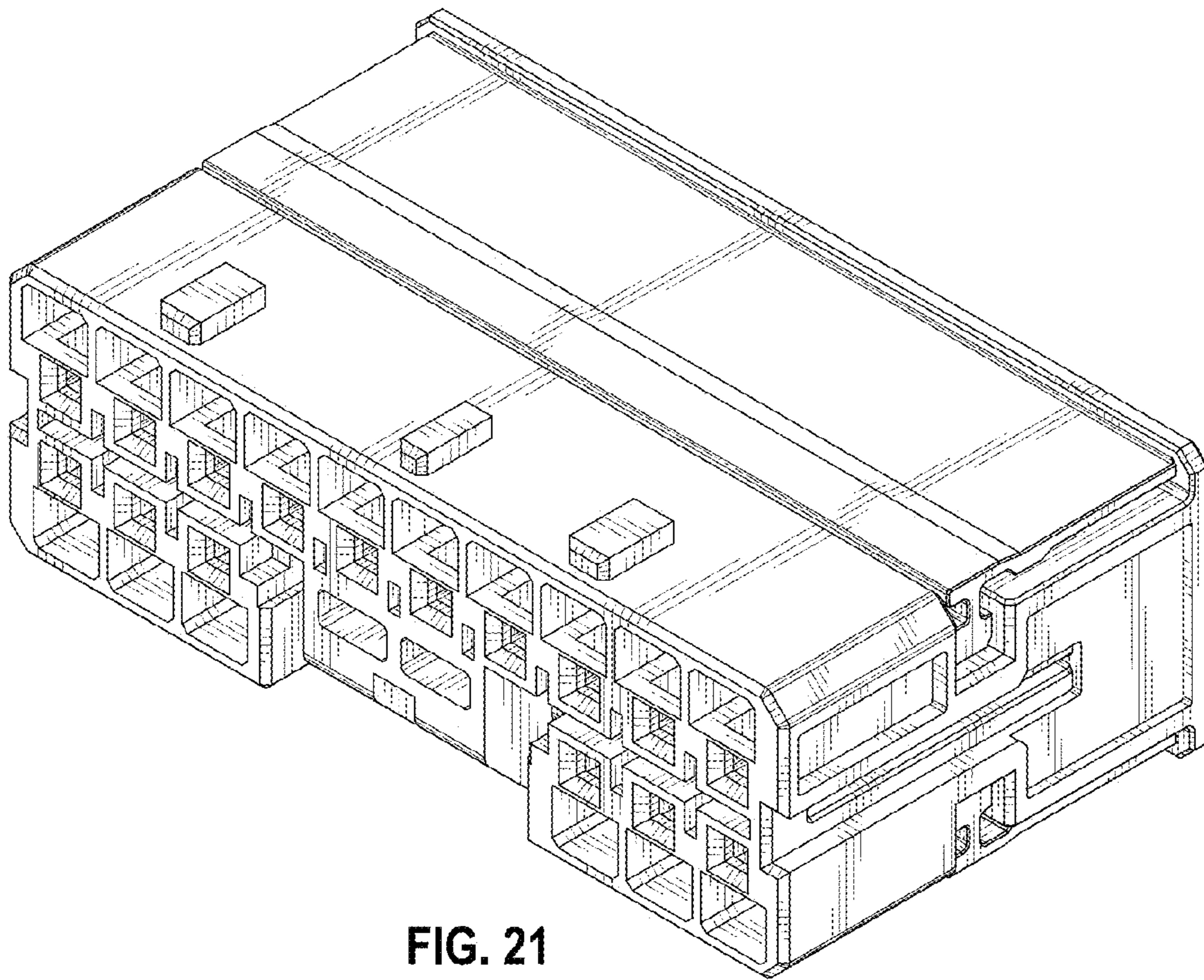


FIG. 21

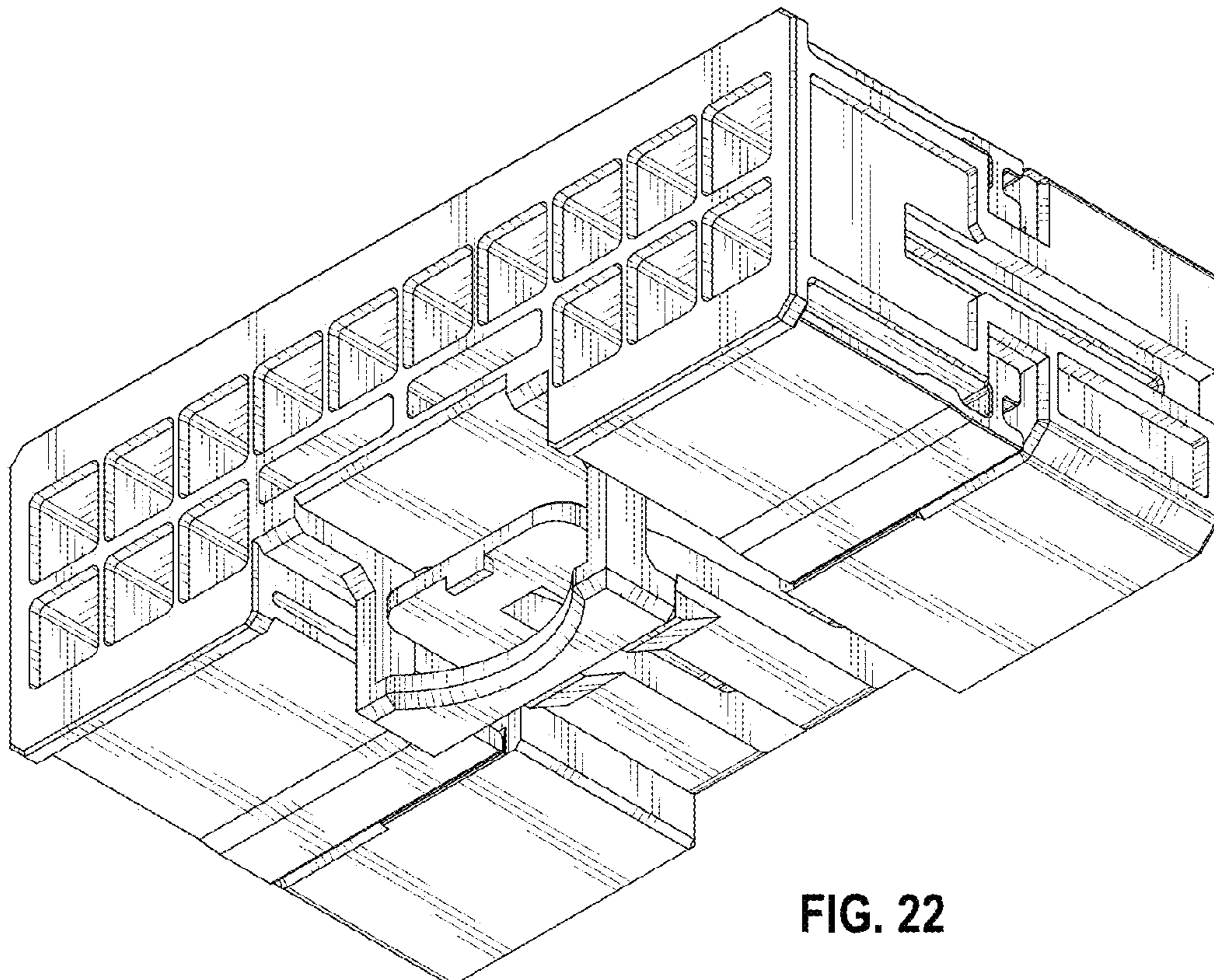


FIG. 22

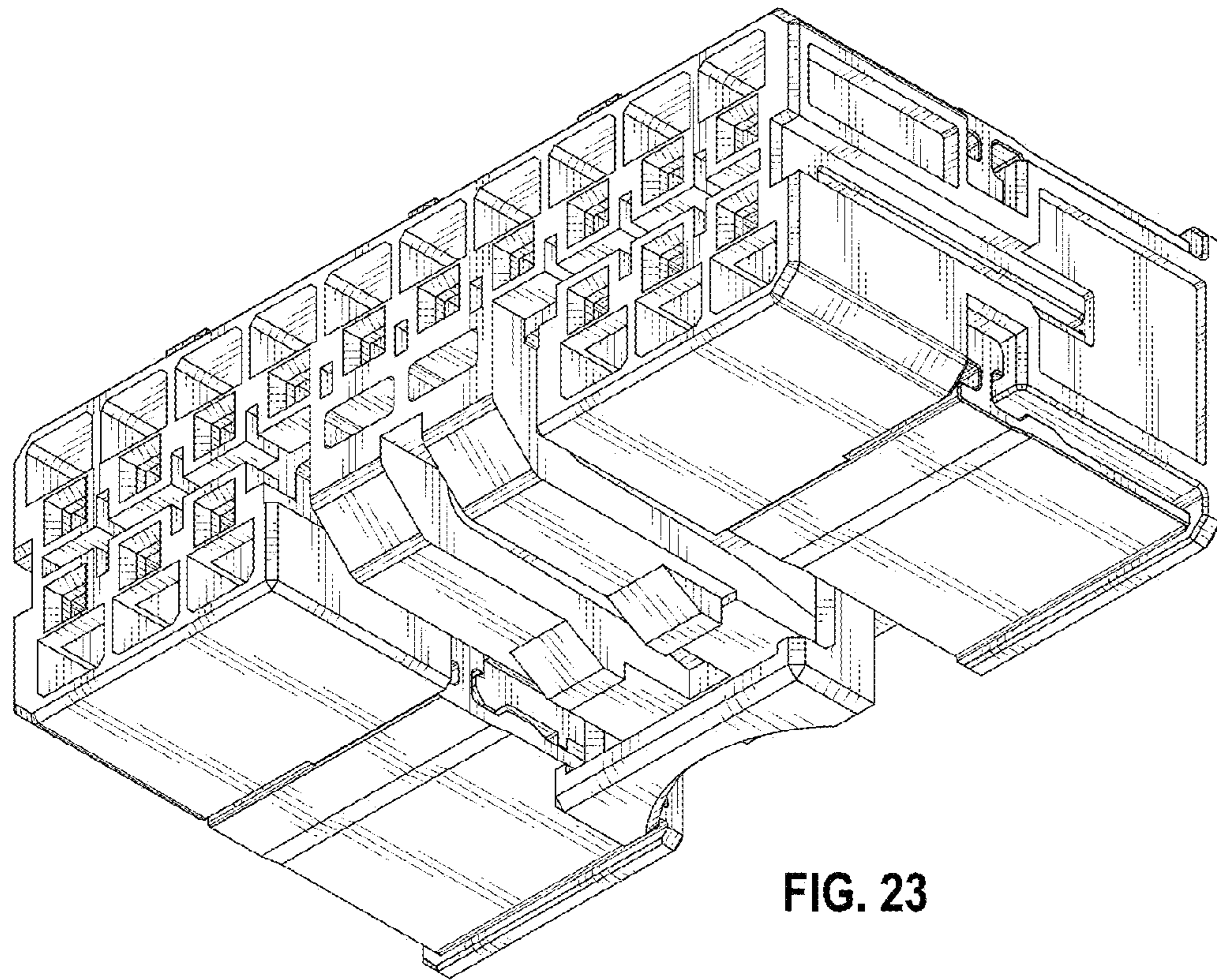


FIG. 23

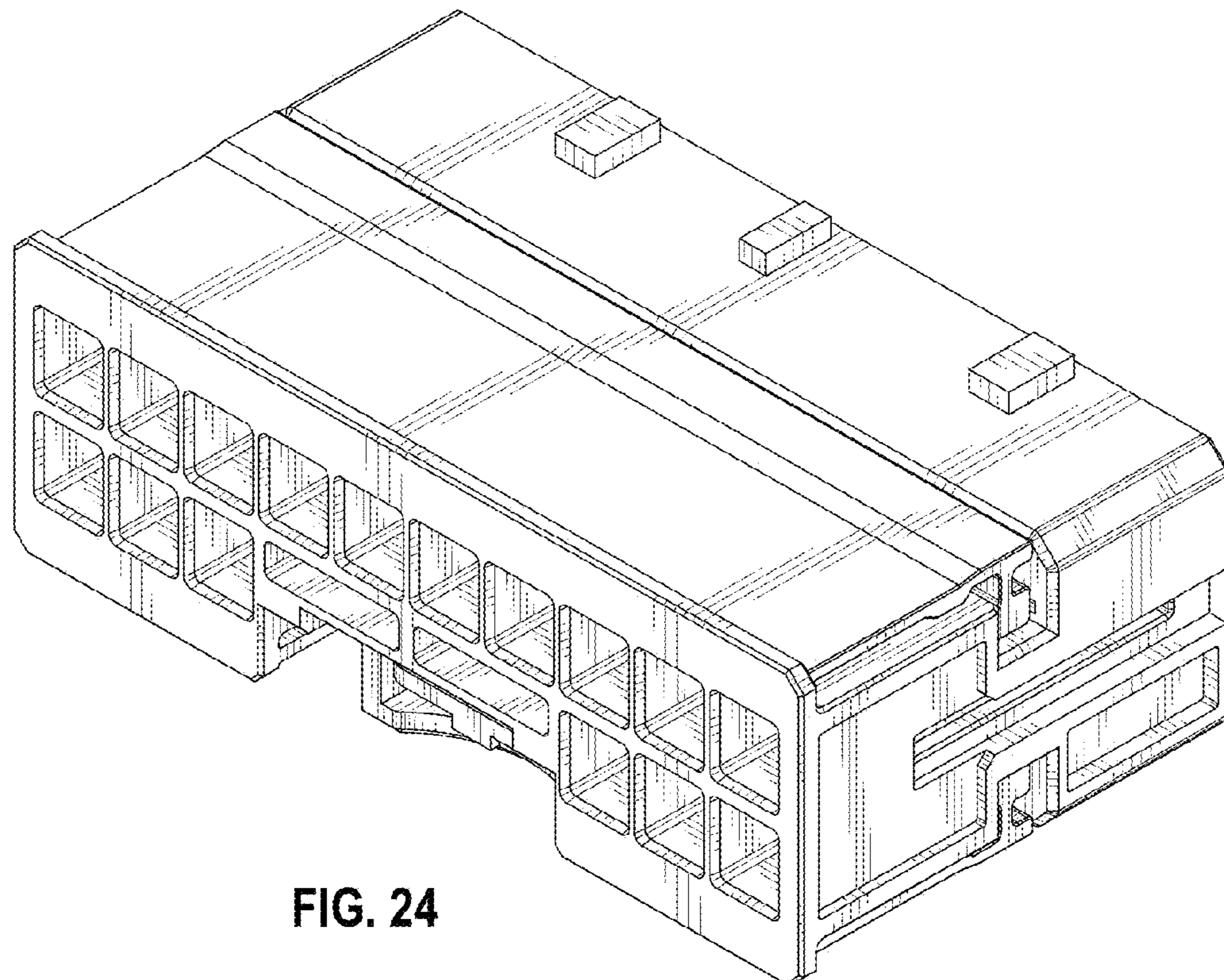


FIG. 24