



US00D958088S

(12) **United States Design Patent** (10) **Patent No.:** **US D958,088 S**
McSweyn (45) **Date of Patent:** **** Jul. 19, 2022**

(54) **VEHICLE CHARGER**
(71) Applicant: **Scosche Industries, Inc.**, Oxnard, CA (US)
(72) Inventor: **Christopher Michael McSweyn**, Oxnard, CA (US)
(73) Assignee: **Scosche Industries, Inc.**, Oxnard, CA (US)

6,149,116 A 11/2000 Won
6,305,656 B1 10/2001 Wemyss
6,382,482 B1 5/2002 Chao
6,502,727 B1 1/2003 Decoteau
D479,196 S 9/2003 Shih
D489,578 S 5/2004 Lai
6,888,940 B1 5/2005 Deppen
7,021,593 B1 4/2006 Fan
D521,850 S 5/2006 Richter et al.
D530,306 S 10/2006 Wang et al.
D530,333 S 10/2006 Richter

(Continued)

(**) Term: **15 Years**

OTHER PUBLICATIONS

(21) Appl. No.: **29/776,240**
(22) Filed: **Mar. 29, 2021**
(51) **LOC (13) Cl.** **13-03**
(52) **U.S. Cl.**
USPC **D13/144**
(58) **Field of Classification Search**
USPC D13/144, 108, 110, 107, 103, 199;
D27/141; D14/155, 252; D12/140
CPC H01R 2201/26
See application file for complete search history.

Scosche.com Scosche Industries Introduces PowerVolt Car and Wall Chargers with Power Delivery At 2021 All-Digital International CES. <https://www.scosche.com/press-room>. Date Retrieved: Apr. 2022. Date Published: Jan. 2021. (Year: 2021).*

(Continued)

Primary Examiner — Jennifer O King
(74) *Attorney, Agent, or Firm* — Stetina Brunda Garred & Brucker

(56) **References Cited**

(57) **CLAIM**

The ornamental design for a vehicle charger, as shown and described.

U.S. PATENT DOCUMENTS

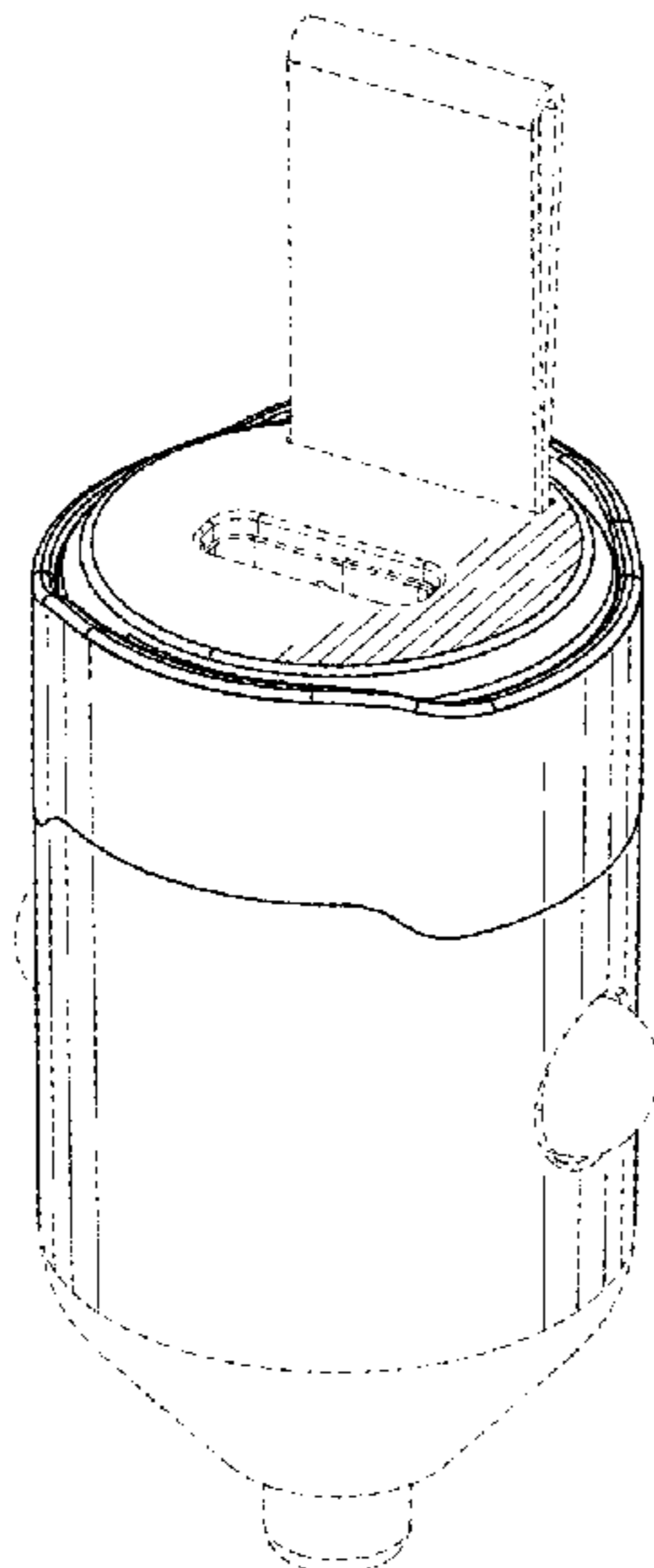
DESCRIPTION

3,329,277 A 7/1967 Guadino
3,642,122 A 2/1972 Von Ende
D306,396 S 3/1990 Brushaber
D317,697 S 6/1991 Lage
D327,840 S 7/1992 Askew
5,213,240 A 5/1993 Dietz et al.
D362,230 S 9/1995 Yokozawa
D362,657 S 9/1995 Tomikawa et al.
D384,937 S 10/1997 Liu
5,988,572 A 11/1999 Chivallier et al.
5,992,807 A 11/1999 Tarulli
6,075,499 A 6/2000 Edwards et al.
6,076,790 A 6/2000 Richter
D430,148 S 8/2000 Deleon
6,135,408 A 10/2000 Richter

FIG. 1 is a perspective view showing a vehicle charger; FIG. 2 is a right side view thereof; FIG. 3 is a top plan view thereof; FIG. 4 is a front view thereof; FIG. 5 is a bottom plan view thereof; FIG. 6 is a left side view thereof; and, FIG. 7 is a rear view thereof.

In the drawings, the broken line showings are for the purpose of illustrating portions of the vehicle charger that form no part of the claimed design.

1 Claim, 2 Drawing Sheets



(56)

References Cited

U.S. PATENT DOCUMENTS

D543,439 S 5/2007 Brassard
 D551,058 S 9/2007 Carnevali
 D551,166 S 9/2007 Dayan
 D552,454 S 10/2007 Fynn
 D553,959 S 10/2007 Brassard
 D554,042 S 10/2007 Richter
 D554,491 S 11/2007 Stenberg
 7,296,771 B2 11/2007 Kalis et al.
 D560,592 S 1/2008 Brassard
 D563,309 S 3/2008 Richter
 D565,937 S 4/2008 Tsai
 7,374,142 B2 5/2008 Carnevali
 D570,836 S 6/2008 Chen
 D576,865 S 9/2008 Chiang et al.
 7,431,251 B2 10/2008 Carnevali
 D579,911 S 11/2008 Wei et al.
 D588,903 S 3/2009 Carnevali
 D590,835 S 4/2009 Richter
 D592,205 S 5/2009 O'Brien
 D600,991 S 9/2009 Lai
 D603,322 S 11/2009 Nicieja
 D604,699 S * 11/2009 Yamamoto D13/110
 D609,644 S 2/2010 Lin
 D618,618 S * 6/2010 Lee D13/110
 D625,266 S 10/2010 Bau
 D631,837 S * 2/2011 Smith D13/108
 D638,008 S 5/2011 Richter
 D644,990 S 9/2011 Tseng
 8,016,255 B2 9/2011 Lin
 D654,437 S 2/2012 Fitch
 D654,874 S 2/2012 Au
 D656,465 S 3/2012 Au
 D656,899 S 4/2012 Webb et al.
 D670,157 S 11/2012 Mo
 D671,074 S 11/2012 Hori et al.
 D677,709 S 3/2013 Skeoch et al.
 D681,867 S 5/2013 Wegger et al.
 D686,595 S 7/2013 Andre et al.
 8,496,222 B2 7/2013 Li
 D687,441 S 8/2013 Janzen
 D694,249 S 11/2013 Akana et al.
 D700,175 S 2/2014 Ohm
 D705,211 S 5/2014 Huang
 D709,066 S 7/2014 Byun
 D709,072 S 7/2014 Askew-Harris et al.
 D711,322 S 8/2014 Mcsweyn et al.
 D711,830 S * 8/2014 Liu D13/144
 D713,398 S 9/2014 Alesi et al.
 D715,132 S 10/2014 Mcsweyn et al.
 D715,226 S 10/2014 Rostami
 D718,612 S 12/2014 Mcsweyn et al.
 D719,959 S 12/2014 Vogel
 D723,466 S 3/2015 Wang
 D730,723 S 6/2015 Mcsweyn et al.
 D743,882 S 11/2015 Tsou
 D743,885 S * 11/2015 Nazar D13/108
 D777,675 S 1/2017 Miller et al.
 D795,832 S 8/2017 Du
 D796,470 S 9/2017 Du
 D800,664 S 10/2017 Yu
 D807,289 S * 1/2018 Wang D13/107

D812,033 S 3/2018 Yin
 D820,803 S 6/2018 Hu
 D821,329 S 6/2018 Chen
 D825,470 S 8/2018 Wang
 D833,975 S 11/2018 Miller et al.
 D839,201 S 1/2019 Jin
 10,389,160 B2 8/2019 Miller et al.
 D859,315 S 9/2019 Zhong
 D862,486 S 10/2019 Roberts
 D869,389 S * 12/2019 Chen D13/108
 D913,949 S * 3/2021 Kim D13/144
 D929,956 S * 9/2021 Ba D14/155
 2005/0092875 A1 5/2005 Carnevali
 2006/0052144 A1 3/2006 Seil et al.
 2006/0214511 A1 9/2006 Dayan
 2006/0290654 A1 12/2006 Wang
 2007/0018064 A1 1/2007 Wang
 2007/0111700 A1 5/2007 Chen
 2008/0003955 A1 1/2008 Rutkowski et al.
 2008/0023606 A1 1/2008 Kalis et al.
 2010/0273421 A1 10/2010 Tu et al.
 2011/0192857 A1 8/2011 Rothbaum et al.
 2011/0255226 A1 10/2011 Seil et al.
 2012/0229300 A1 9/2012 Fu
 2012/0292463 A1 11/2012 Burns
 2013/0187020 A1 7/2013 Trotsky
 2014/0346295 A1 11/2014 Song

OTHER PUBLICATIONS

The Original iMagnet Cradle-Less Universal Car Phone Windsheild Dashboard Mount Holder for iPhone 6, 6 Plus, 6S, 6S Plus, 5S 5, Galaxy S6 S5, Note 5 4 3, With Offical iMagnet Logo, iMagnet, Amazon.com, Aug. 19, 2012.
 Scosche Industries, Inc.; Digital FM Transmitter for iPhone 5, 5S, 5C & iPod Touch 5th Gen; <http://www.scosche.com/freqout-digital-fm-transmitter-for-ipod-and-iphone-1>; Dec. 4, 2015.
 ISimple; Audio Playback Amp & Charging Cable; http://www.amazon.com/AOAIS7505-Playback-Charging-Lightning-Connector/dp/B00KG5S7CC/ref=sr_1_4?ie=UTF8&qid=1459958767&sr=8-4&keywords=isimple+lightning+cable; May 1, 2014.
 European Search Report and Opinion for Application No. 17173904. 8-1801; Aug. 21, 2017.
 "Mosnter iCarCharger AUX 1000 User Guide & Warranty Information" Monstercable.com. 2009.
 Wager, Jack. "Griffin iTrip Aux & iTrip Bluetooth Review." Think Computers, Mar. 2015.
 "WTH—no USB car charger with Aux audio output?." Howard Forums, Jul. 3, 2010.
 "SAGUARO Wireless Bluetooth Car A2DP" Amazon.com, Jul. 6, 2015, https://www.amazon.com/SAUGUARO-Wireless-Bluetooth-Receiver-Hands-free/dp/B0111YMVOU/re=pd_day0_23_12?_encoding=UTF8&psc=1&refRID=QQZM2YW35BWPDDK7HV45.
 "Pyle PLMP2A FM Radio Transmitter w/ USB Port for Charging Your Devices, 3.5mm AUX Input Car Lighter Adaptor." Overstock.com, 2015, <https://www.overstock.com/Electronics/Pyle-PLMP2A-FM-Radio-Transmitter-w-USB-Port-for-Charging-Your-Devices-3.5mm-AUX-Input-Car-Lighter-Adaptor/8604918/product.html>.

* cited by examiner

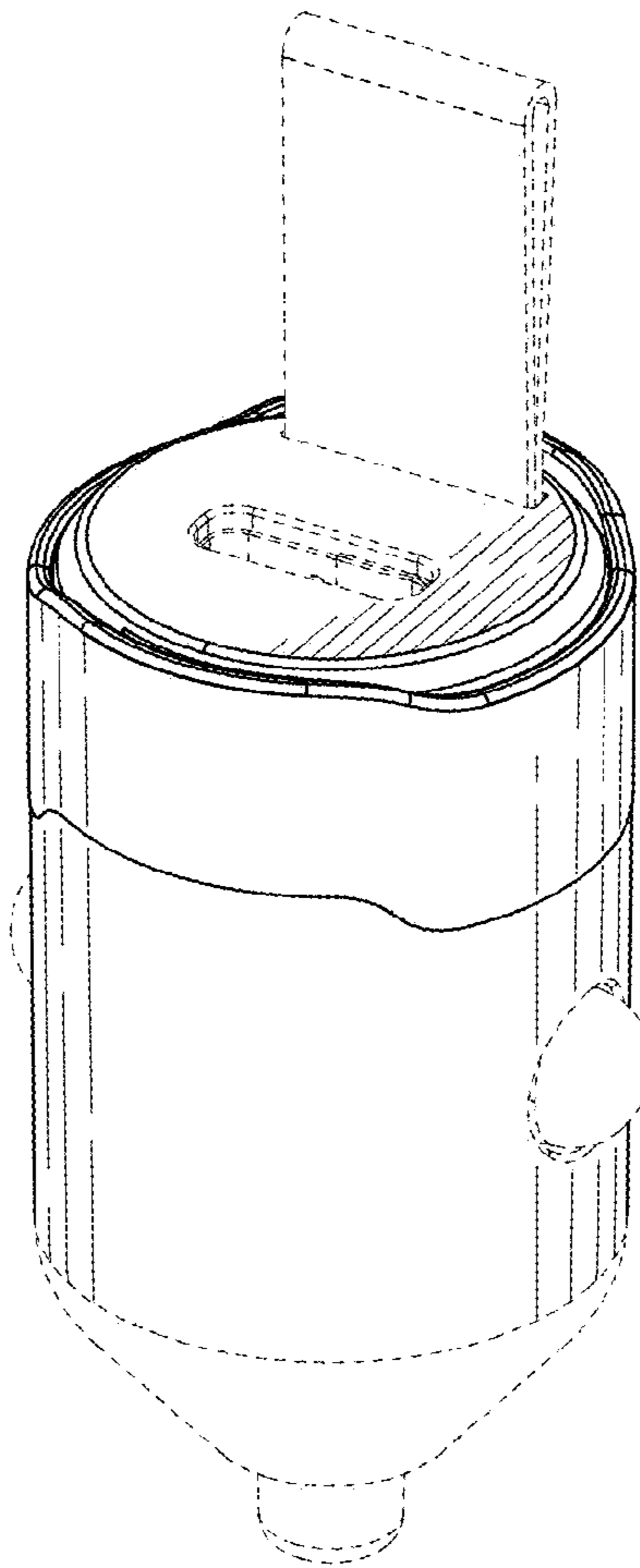


FIG. 1

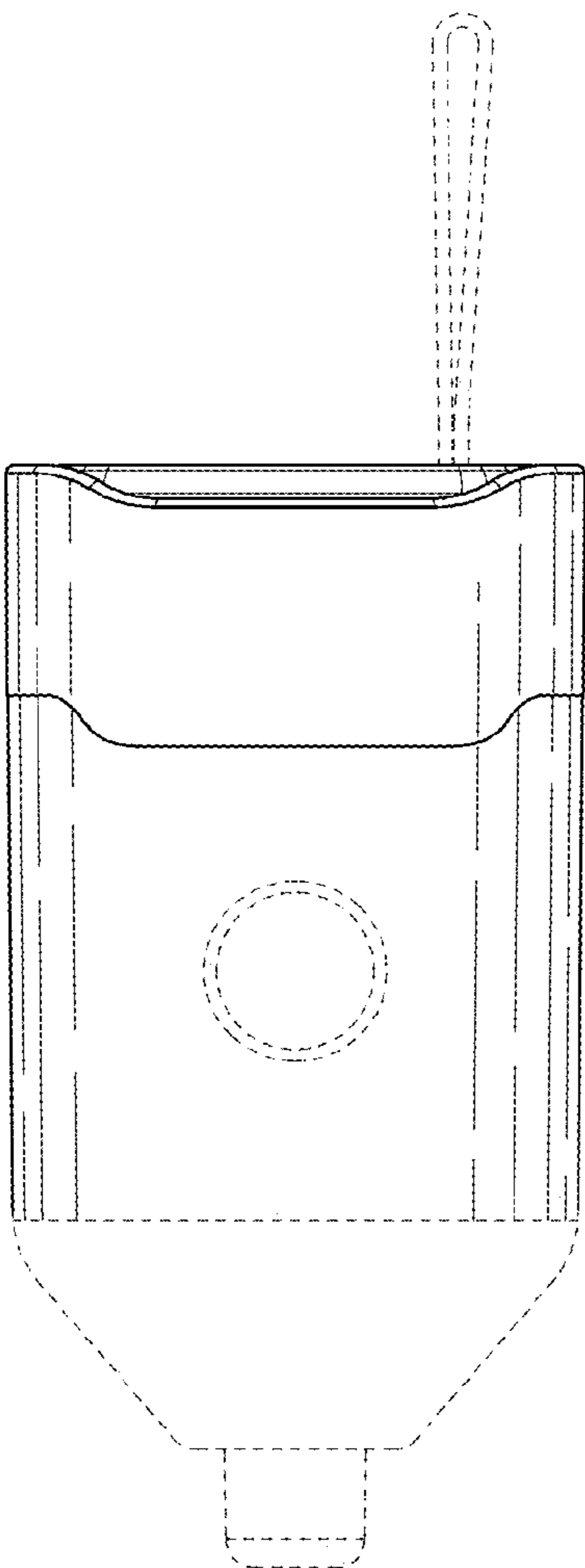


FIG. 2

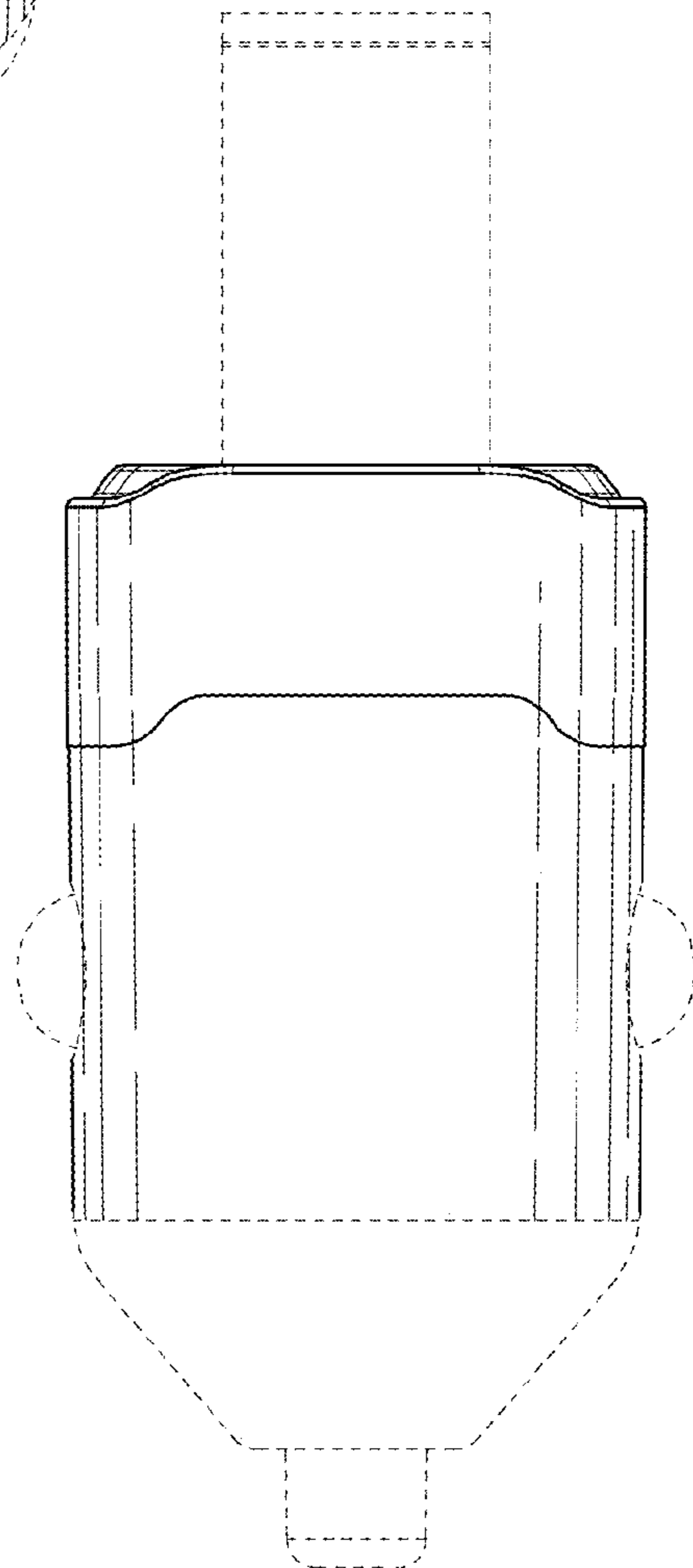


FIG. 3

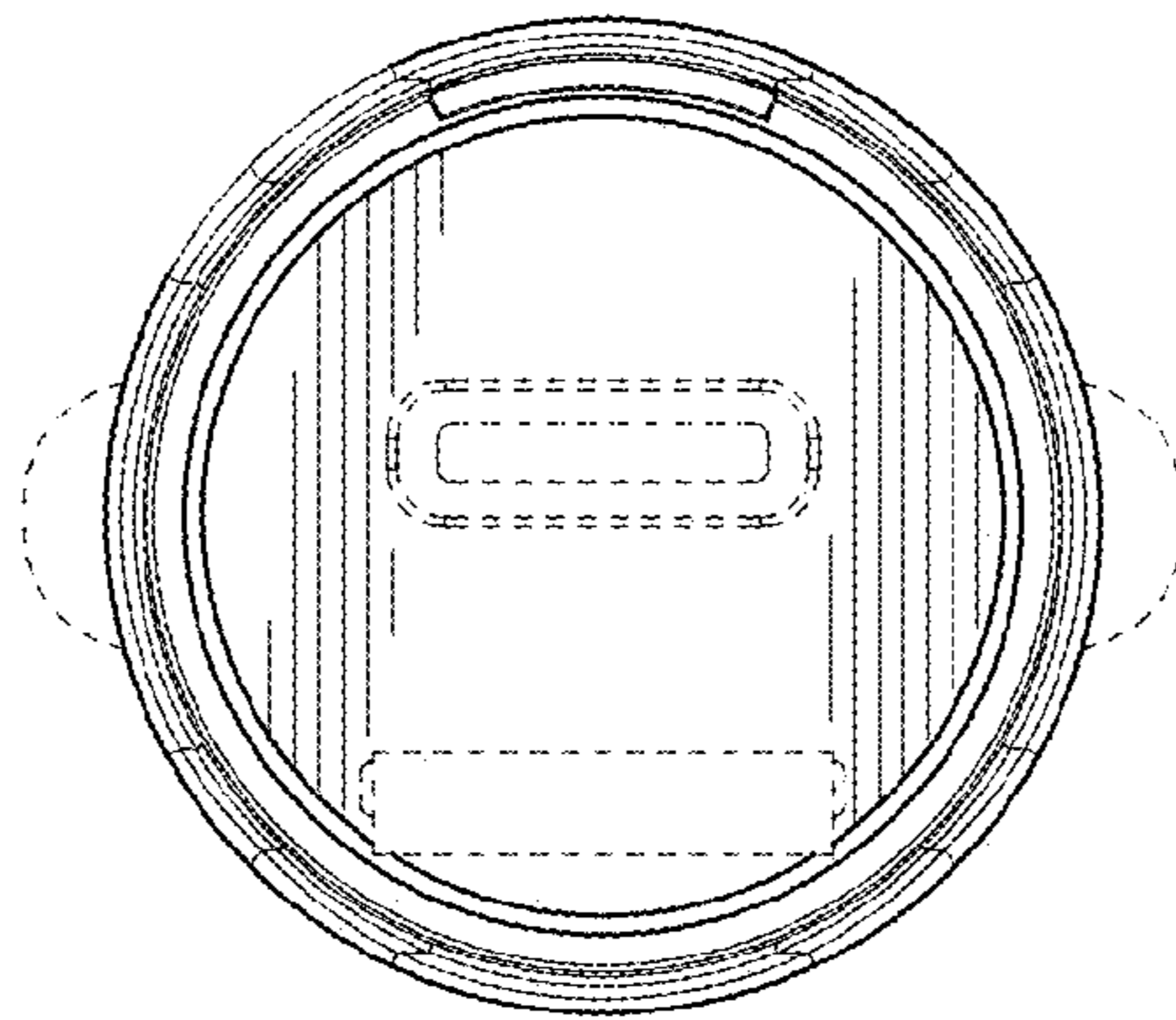


FIG. 4

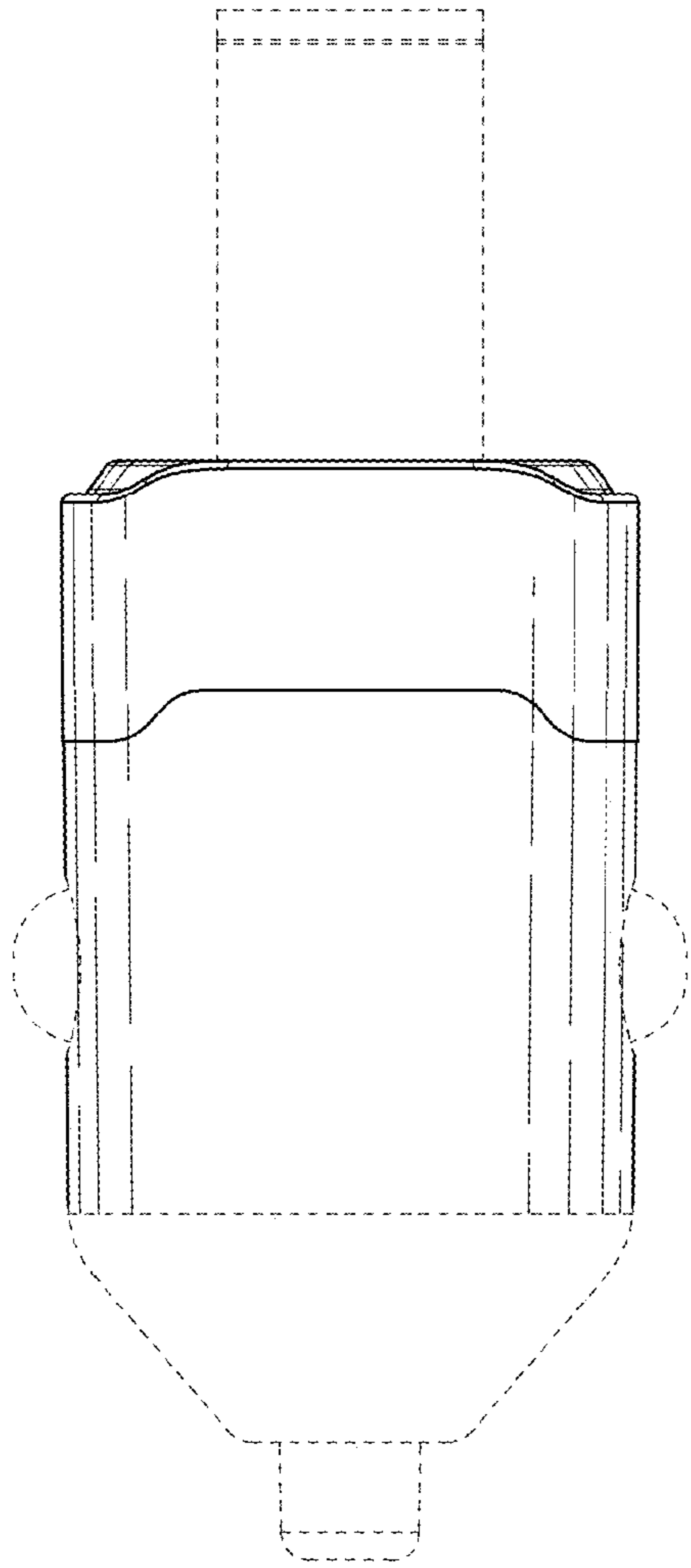


FIG. 5

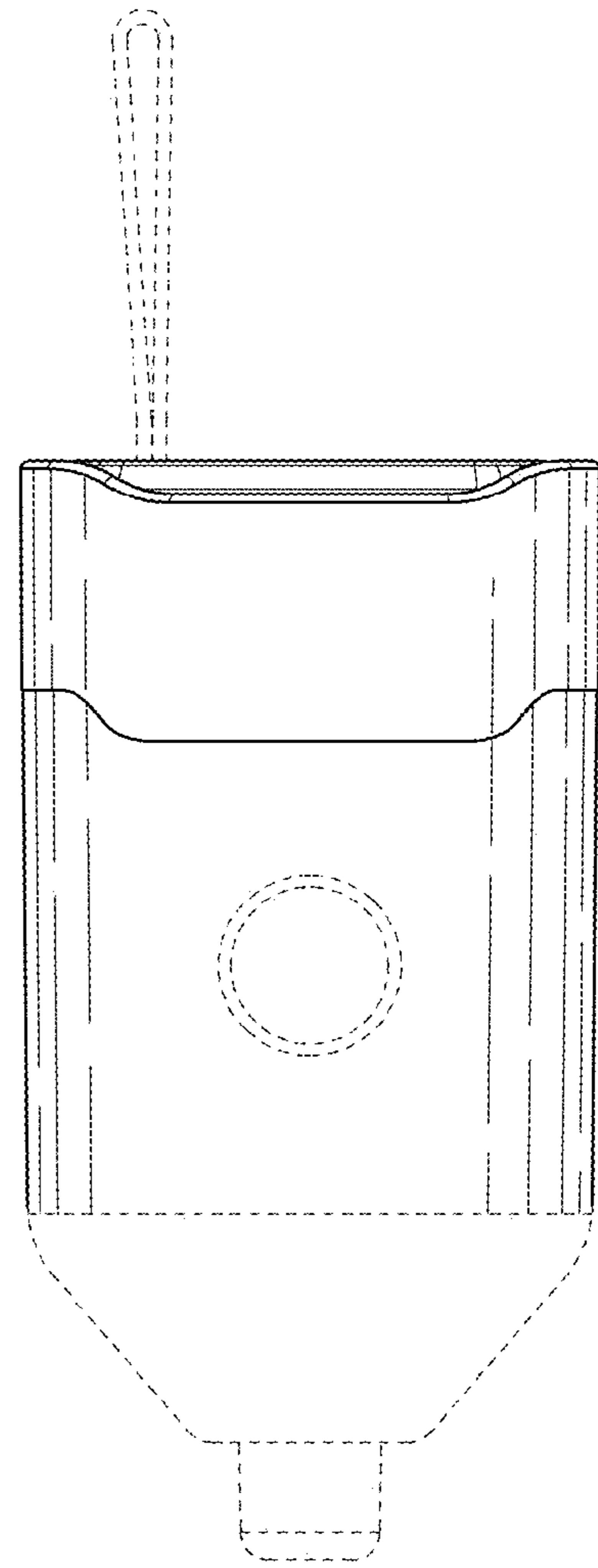


FIG. 6

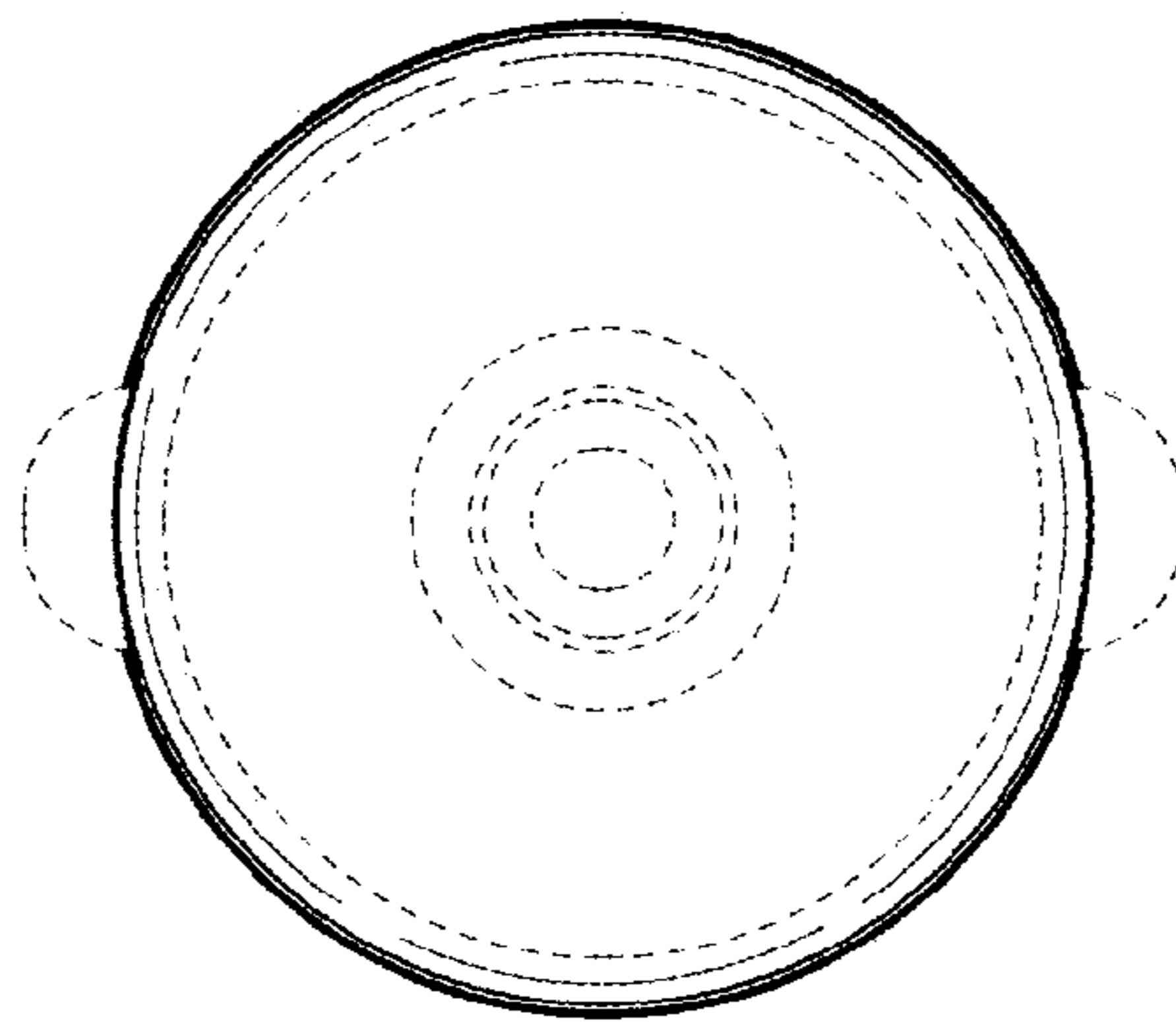


FIG. 7