



US00D958085S

(12) **United States Design Patent**
Liu

(10) **Patent No.:** **US D958,085 S**

(45) **Date of Patent:** **** Jul. 19, 2022**

(54) **USB DEVICE**

(71) Applicant: **BLACK & DECKER INC.**, New Britain, CT (US)

(72) Inventor: **Chao Lein Liu**, Taichung (TW)

(73) Assignee: **BLACK & DECKER INC.**, New Britain, CT (US)

(**) Term: **15 Years**

(21) Appl. No.: **29/731,747**

(22) Filed: **Apr. 17, 2020**

(51) **LOC (13) Cl.** **13-03**

(52) **U.S. Cl.**
USPC **D13/144**

(58) **Field of Classification Search**
USPC D13/144, 108, 110, 107, 103; D12/114;
D14/155, 252; D27/141
CPC H02J 7/342; H02J 50/10
See application file for complete search history.

(56) **References Cited**

U.S. PATENT DOCUMENTS

D349,096 S *	7/1994	Hyvonen	D13/107
D551,170 S *	9/2007	Hussaini	D13/144
D665,749 S *	8/2012	Dong	D13/144
D840,333 S *	2/2019	Cooper	D13/103
D904,765 S *	12/2020	Hyun	D13/103
D934,232 S *	10/2021	Francis	D12/415
D940,950 S *	1/2022	Xu	D27/141
D944,192 S *	2/2022	Eskridge	D13/107

* cited by examiner

Primary Examiner — Jennifer O King

(74) *Attorney, Agent, or Firm* — Adan Ayala

(57) **CLAIM**

The ornamental design for a USB device, as shown and described.

DESCRIPTION

FIG. 1 is a front perspective view of a first embodiment of a USB device according to the invention.

FIG. 2 is a front view of the USB device of FIG. 1.

FIG. 3 is a rear view of the USB device of FIG. 1.

FIG. 4 is a right side view of the USB device of FIG. 1.

FIG. 5 is a left side view of the USB device of FIG. 1.

FIG. 6 is a top plan view of the USB device of FIG. 1.

FIG. 7 is a bottom plan view of the USB device of FIG. 1.

FIG. 8 is a rear perspective view of the USB device of FIG. 1.

FIG. 9 is a front perspective view of a second embodiment of a USB device according to the invention.

FIG. 10 is a front view of the USB device of FIG. 8.

FIG. 11 is a rear view of the USB device of FIG. 8.

FIG. 12 is a right side view of the USB device of FIG. 8.

FIG. 13 is a left side view of the USB device of FIG. 8.

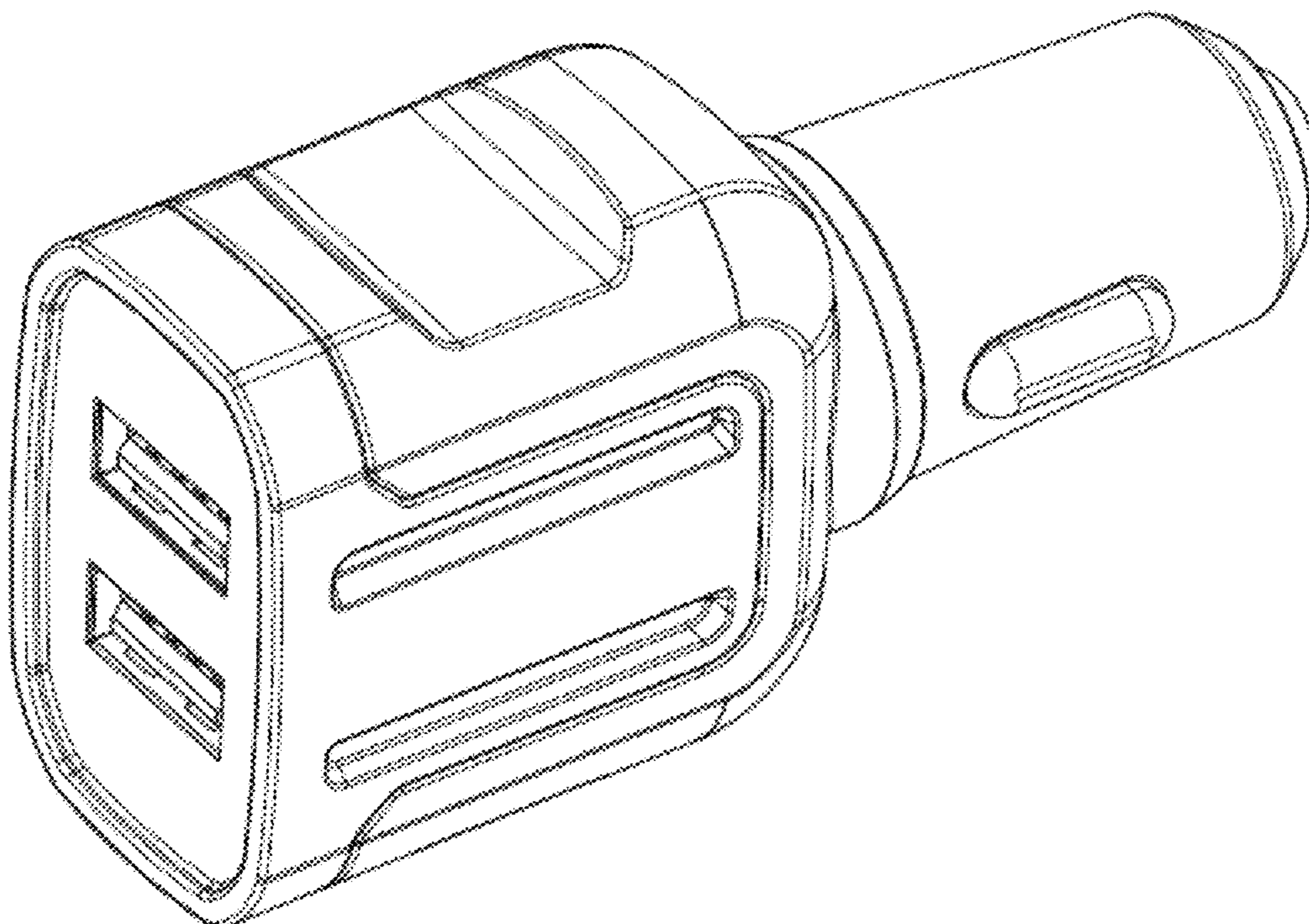
FIG. 14 is a top plan view of the USB device of FIG. 8.

FIG. 15 is a bottom plan view of the USB device of FIG. 8;

and,

FIG. 16 is a rear perspective view of the USB device of FIG. 8.

1 Claim, 10 Drawing Sheets



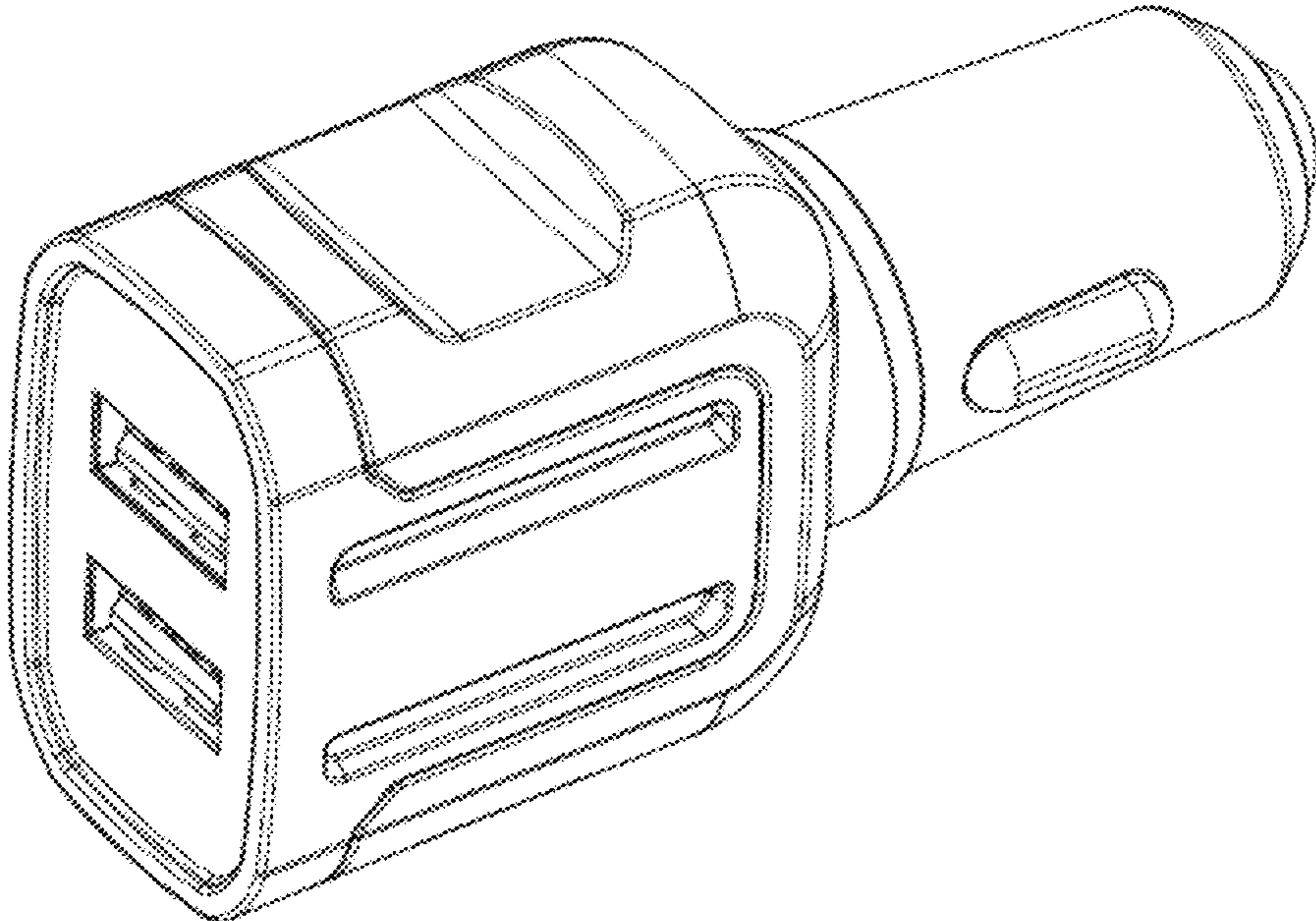


FIG. 1

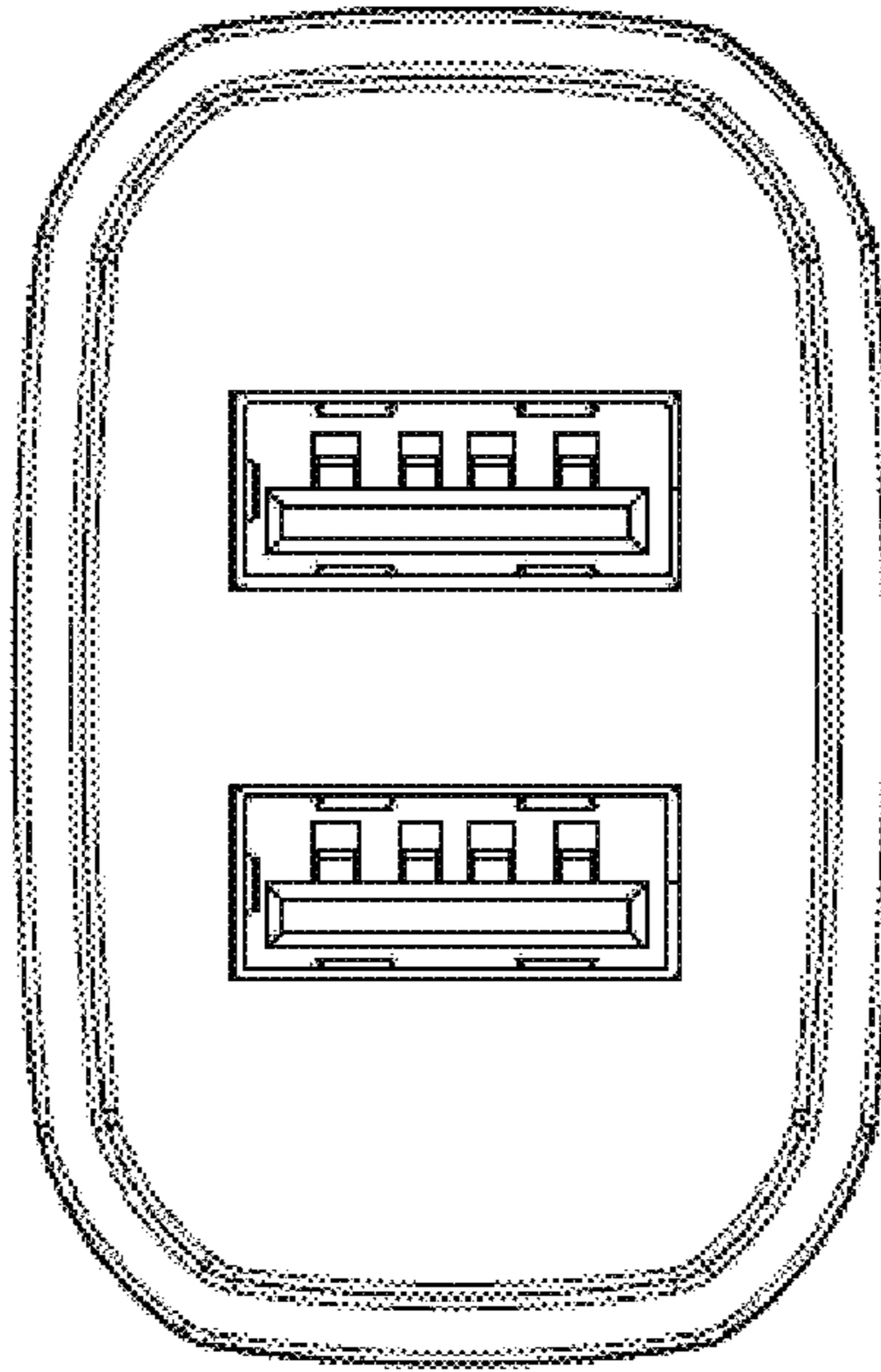


FIG. 2

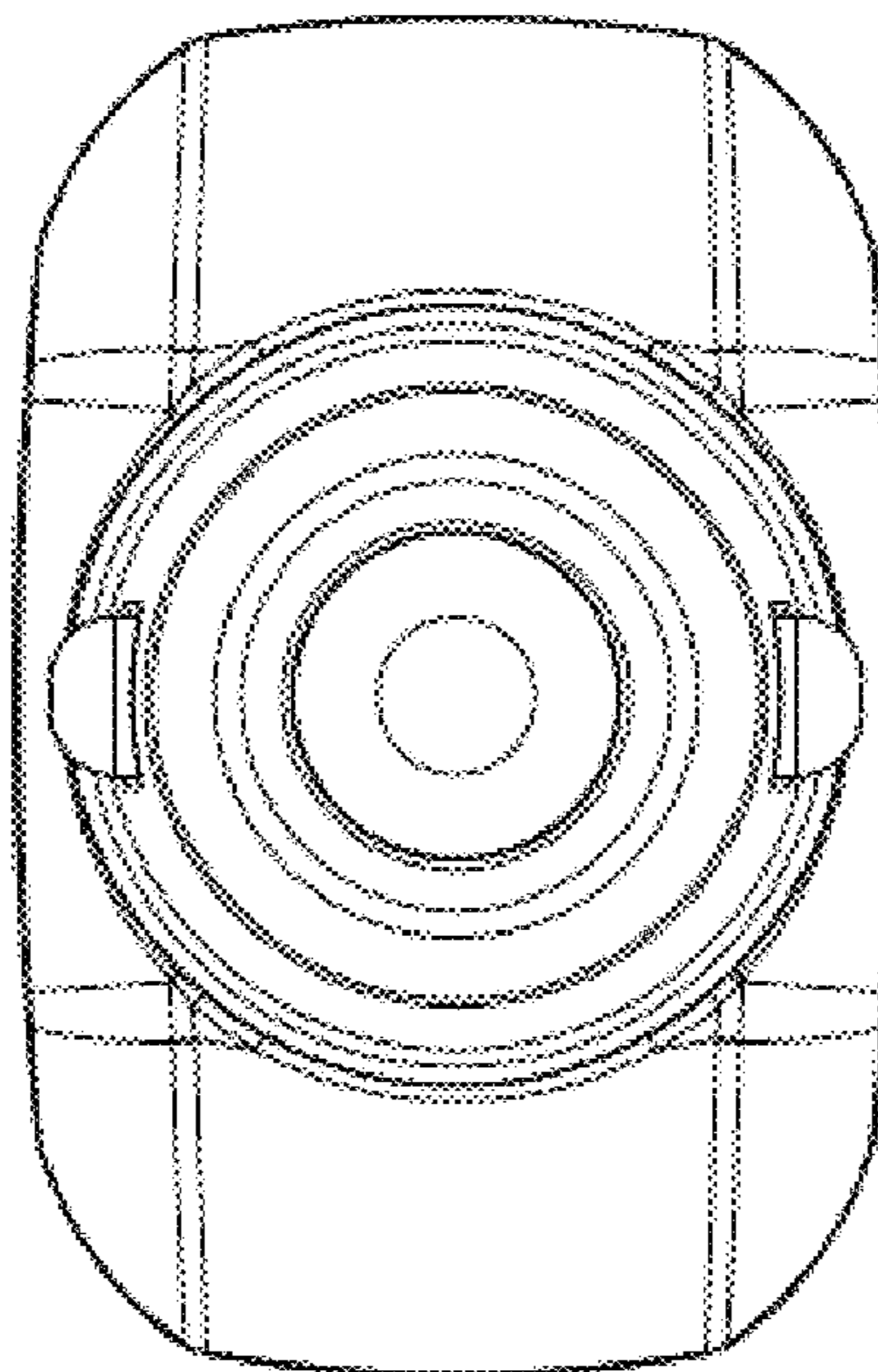


FIG. 3

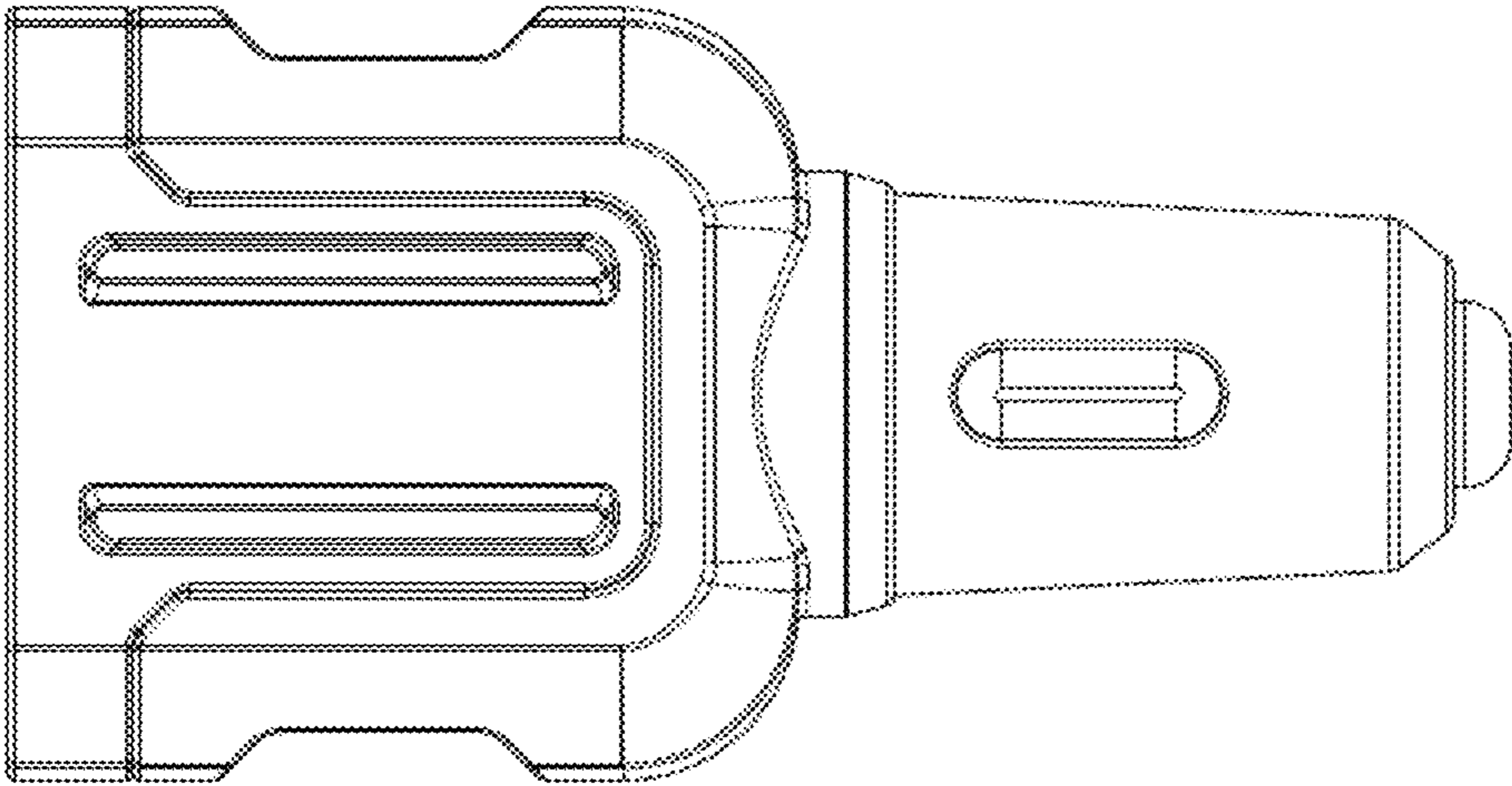


FIG. 4

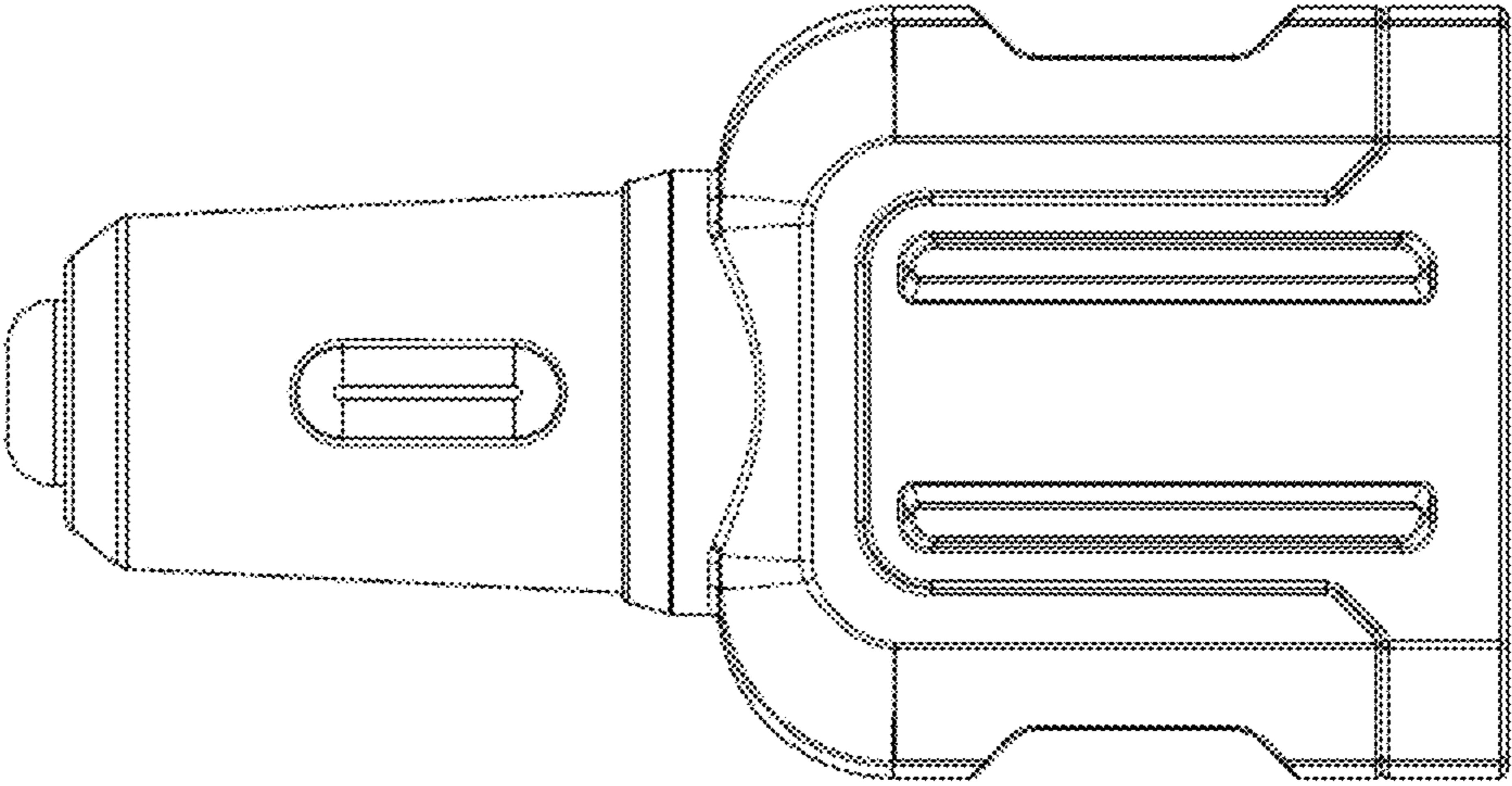


FIG. 5

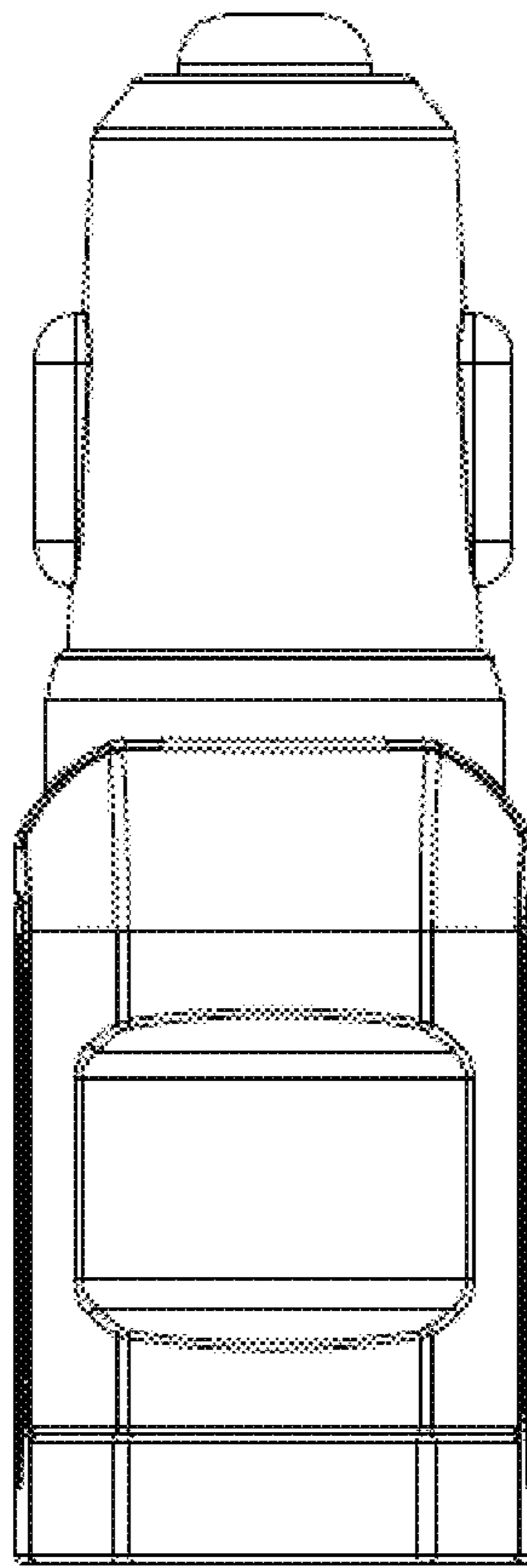


FIG. 6

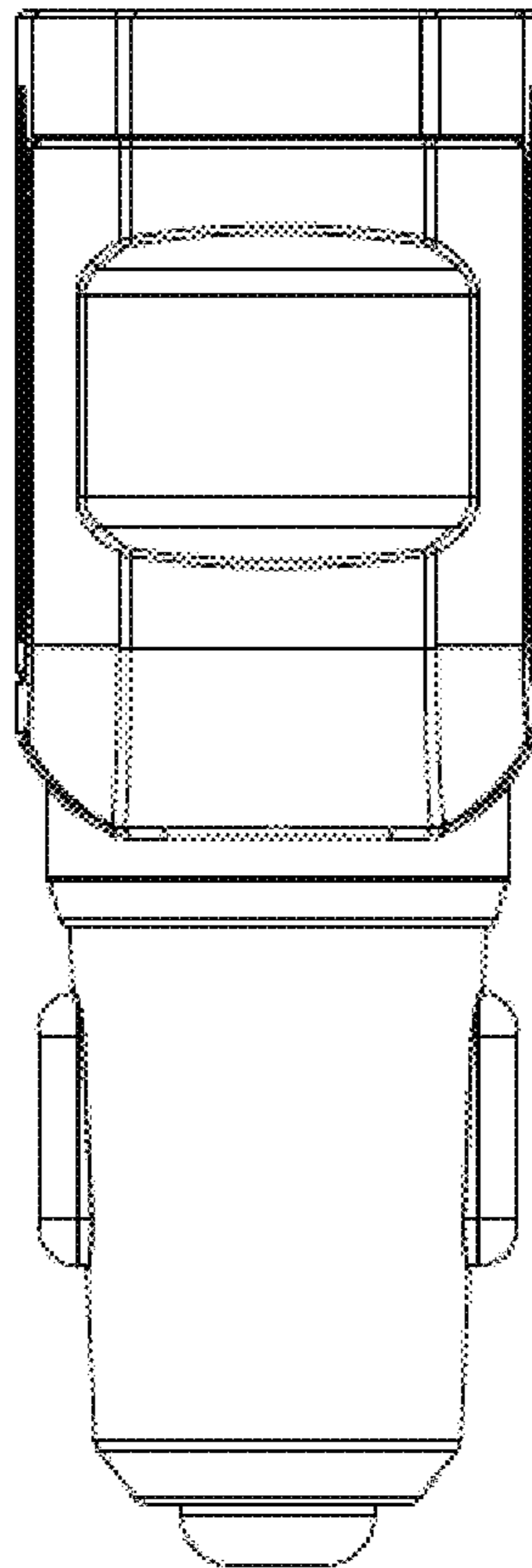


FIG. 7

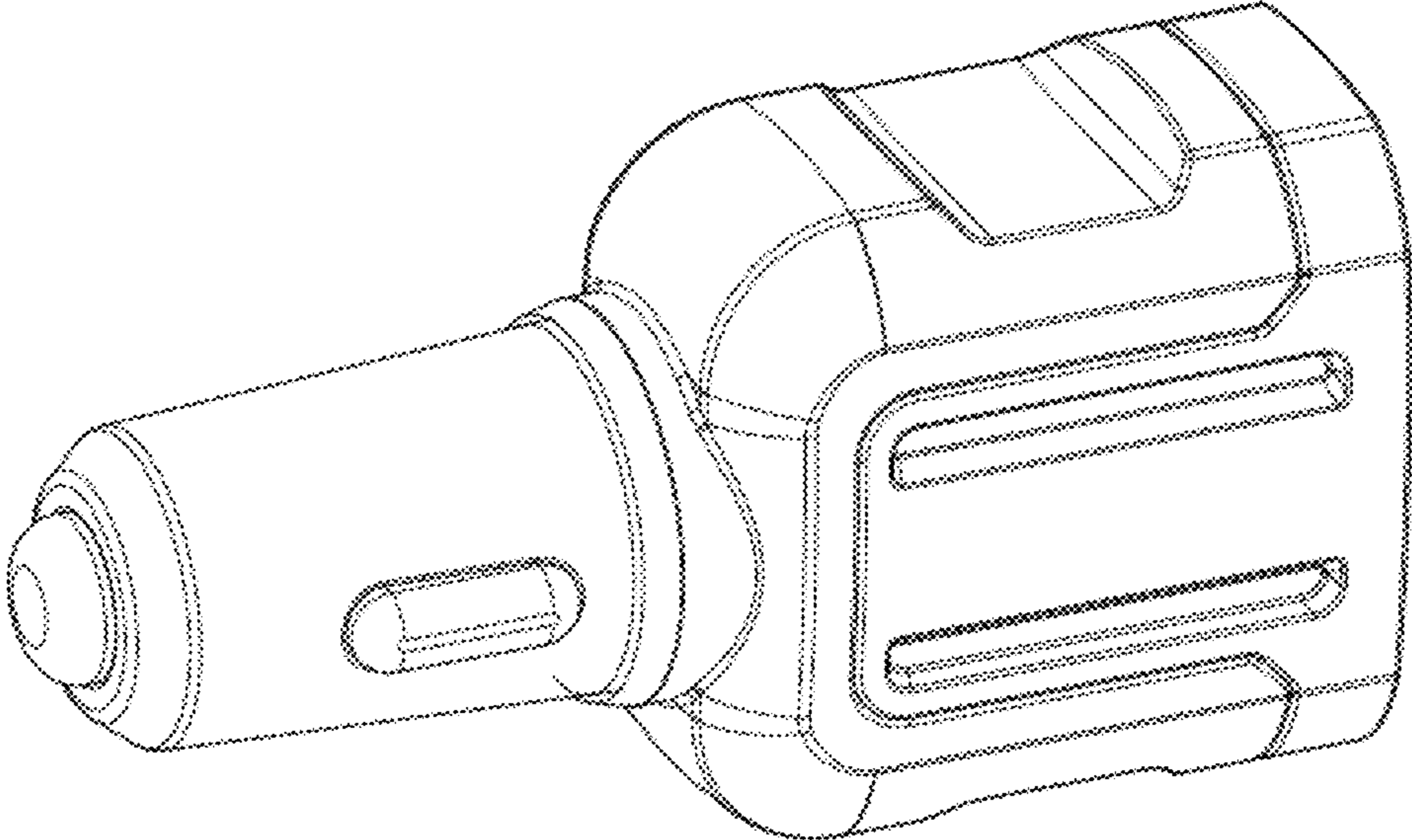


FIG. 8

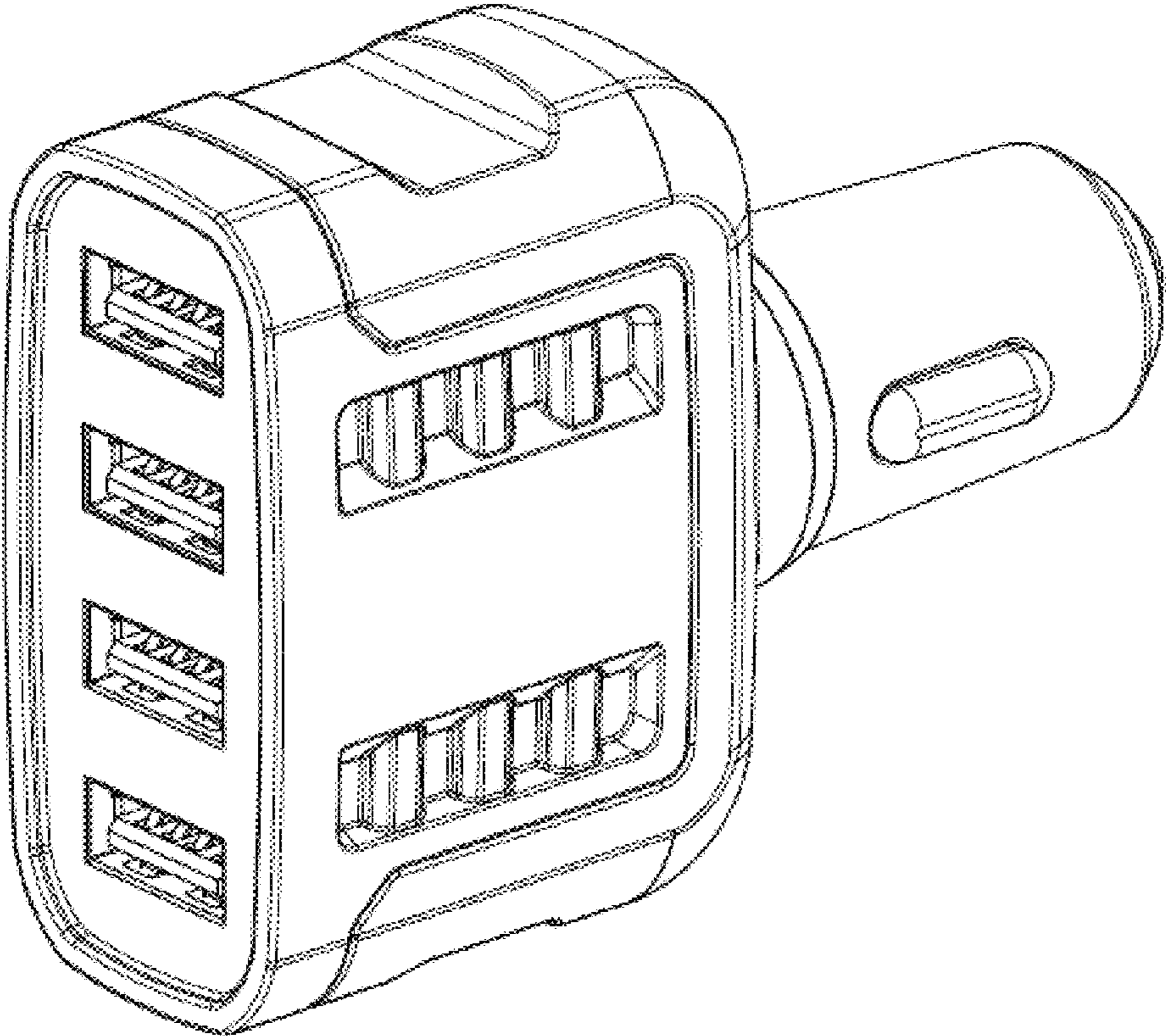


FIG. 9

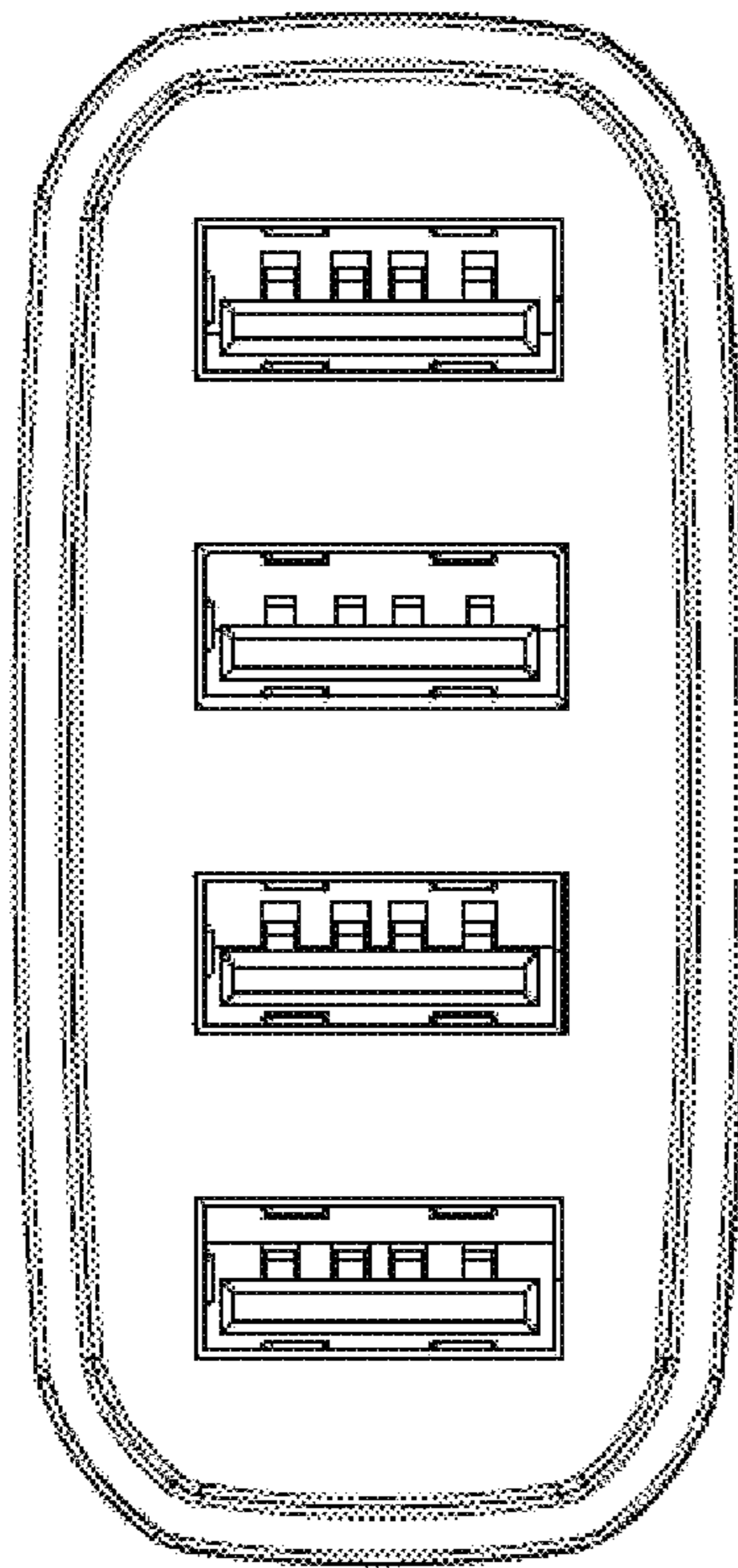


FIG. 10

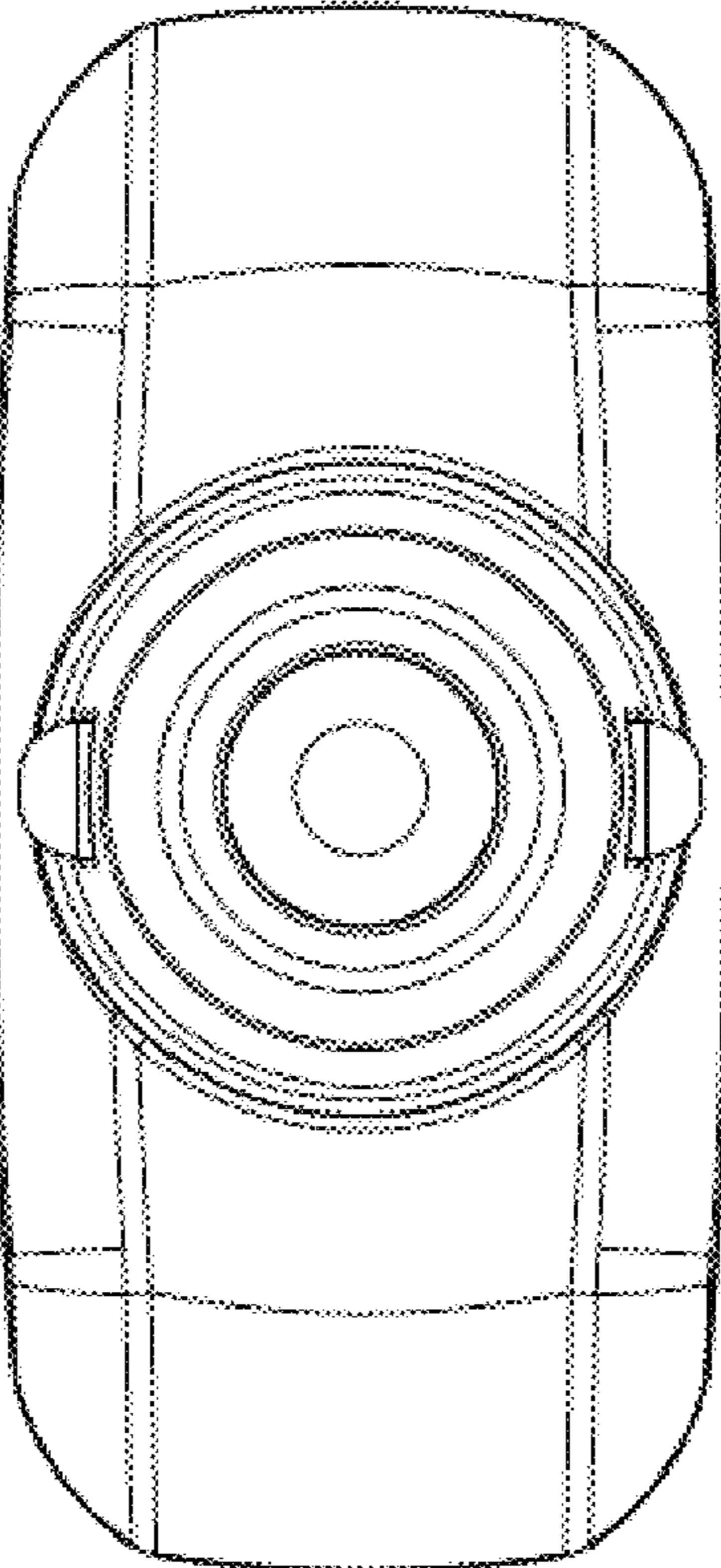


FIG. 11

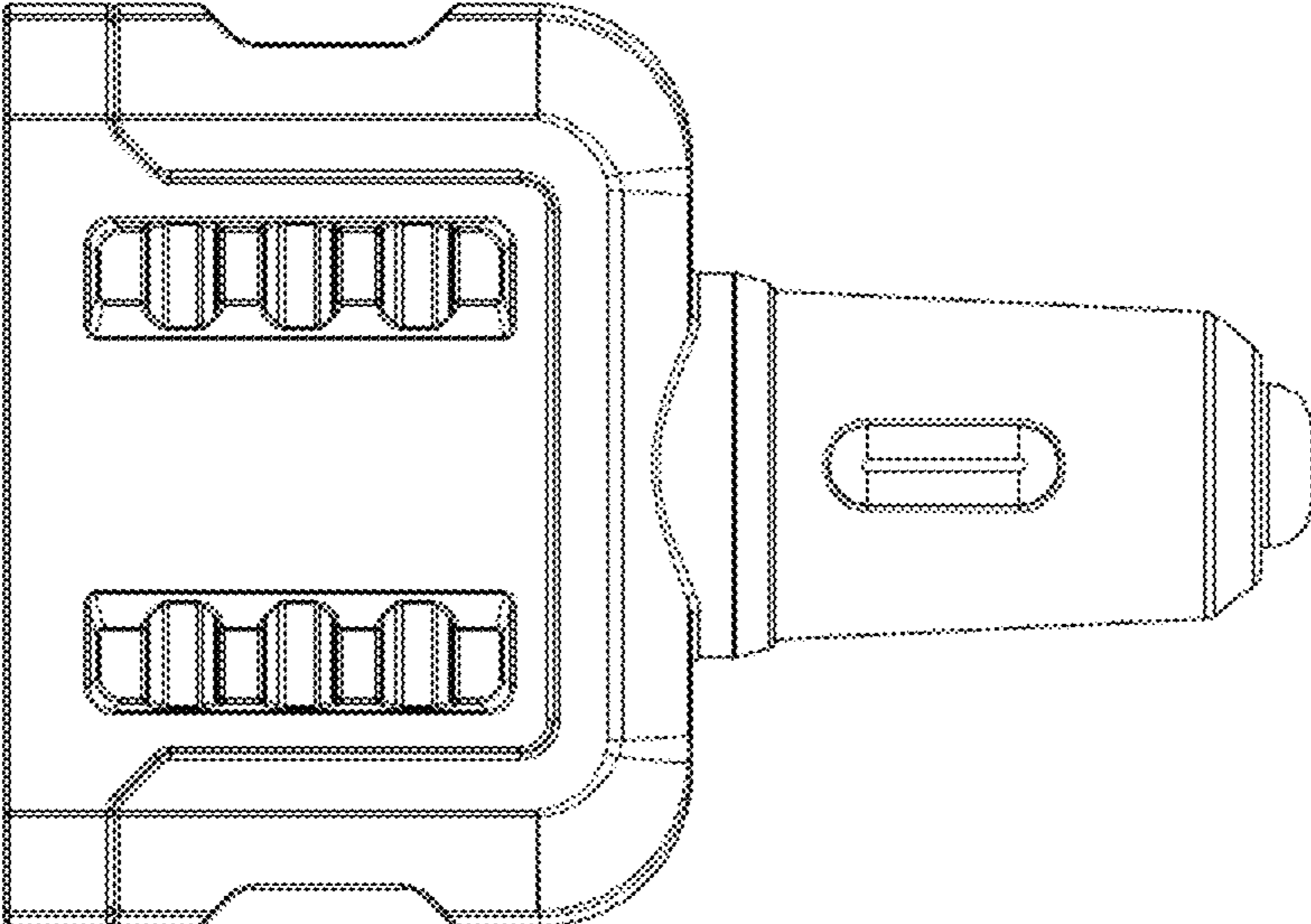


FIG. 12

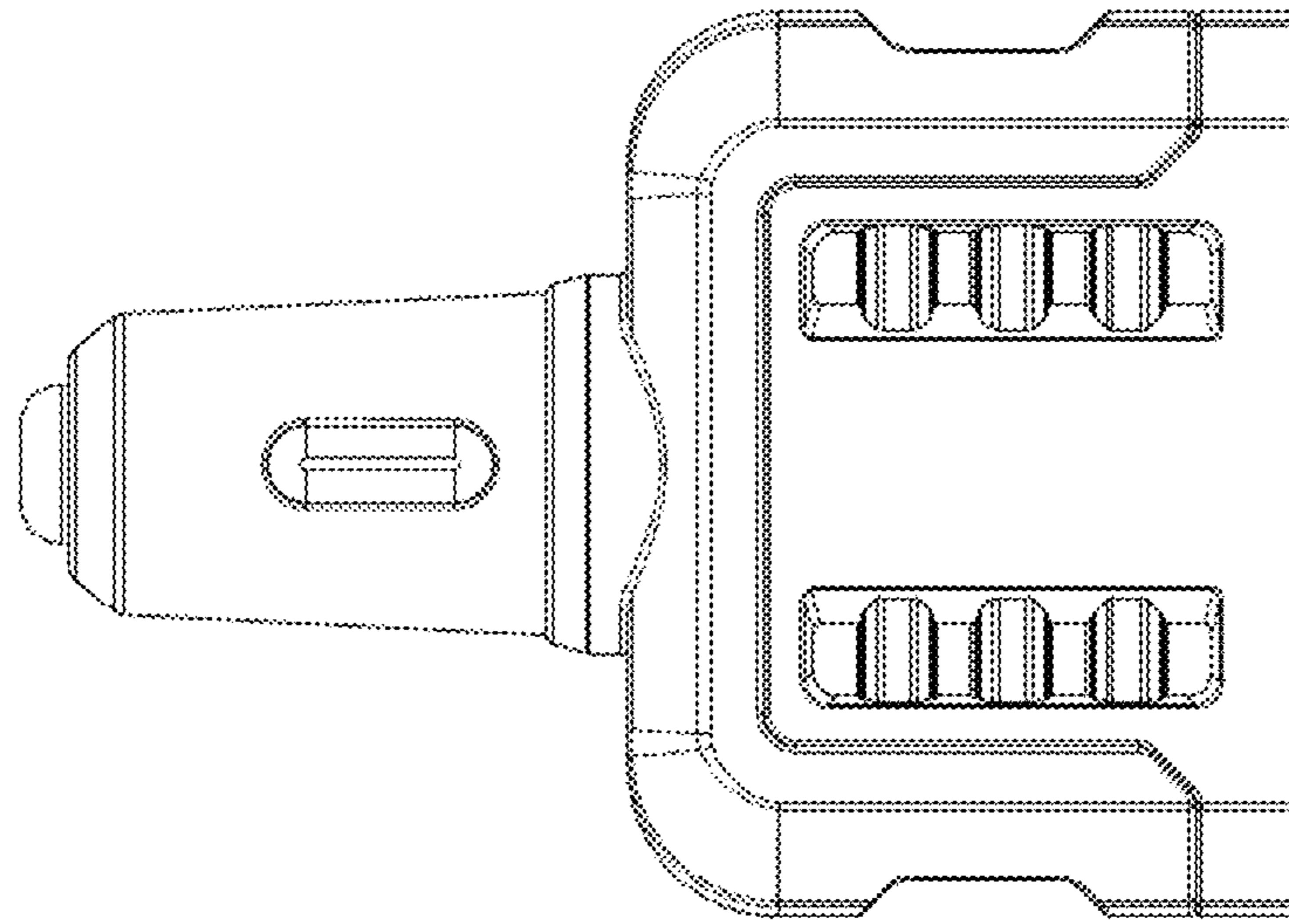


FIG. 13

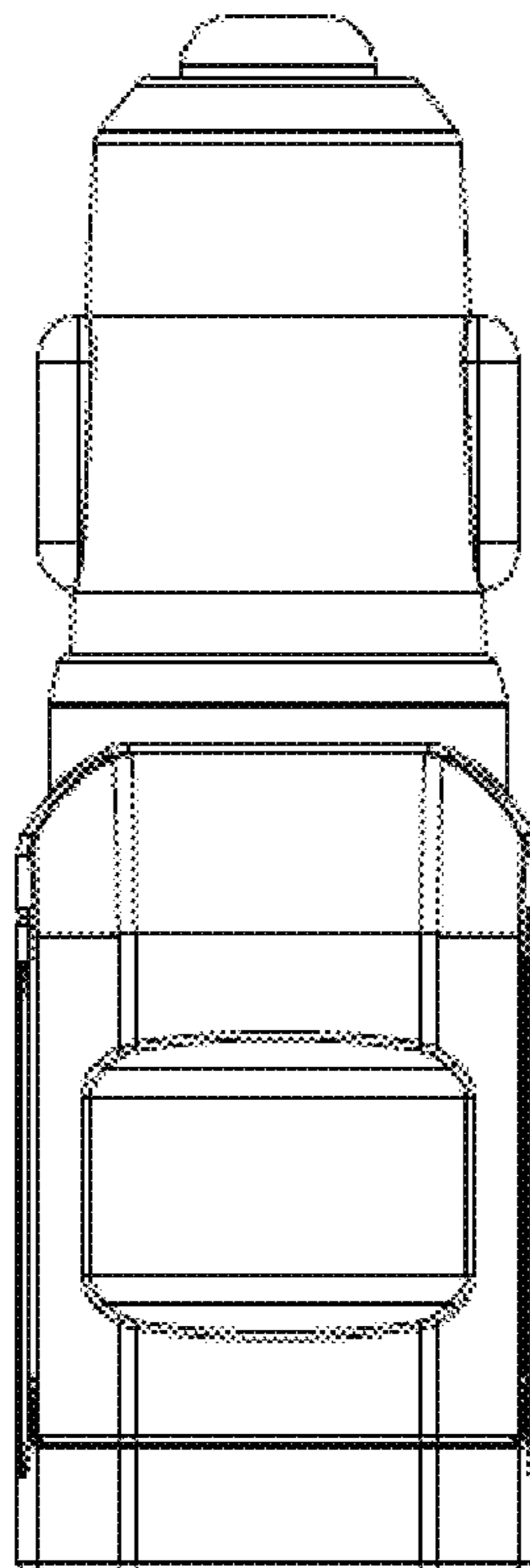


FIG. 14

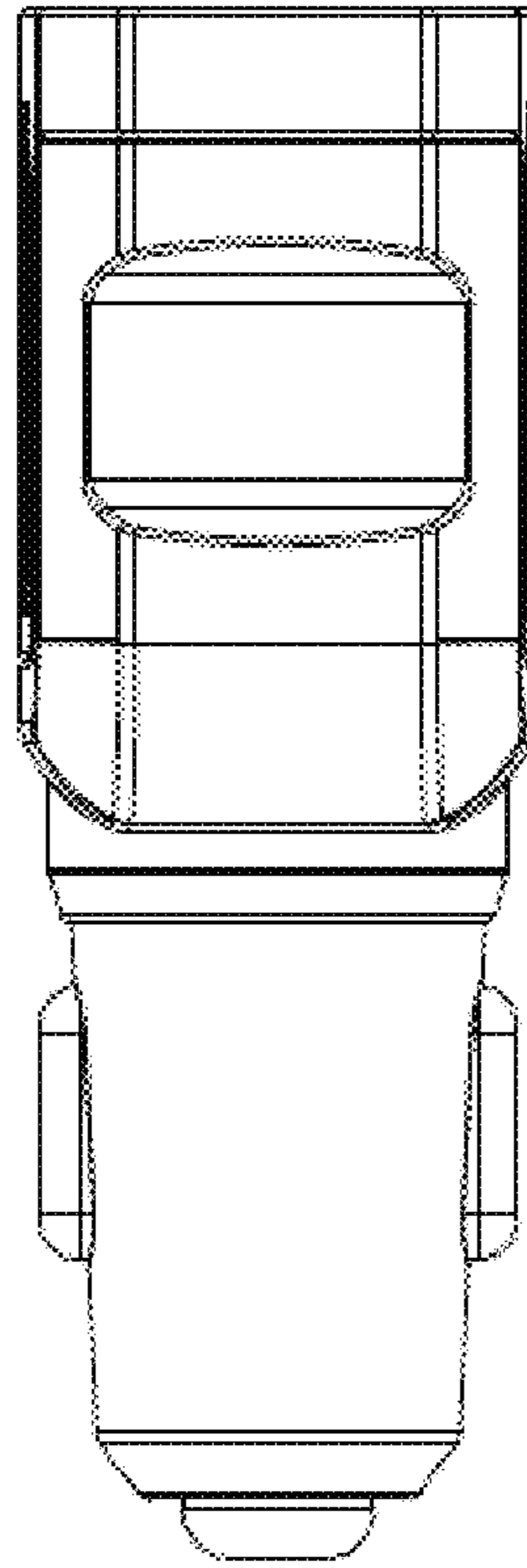


FIG. 15

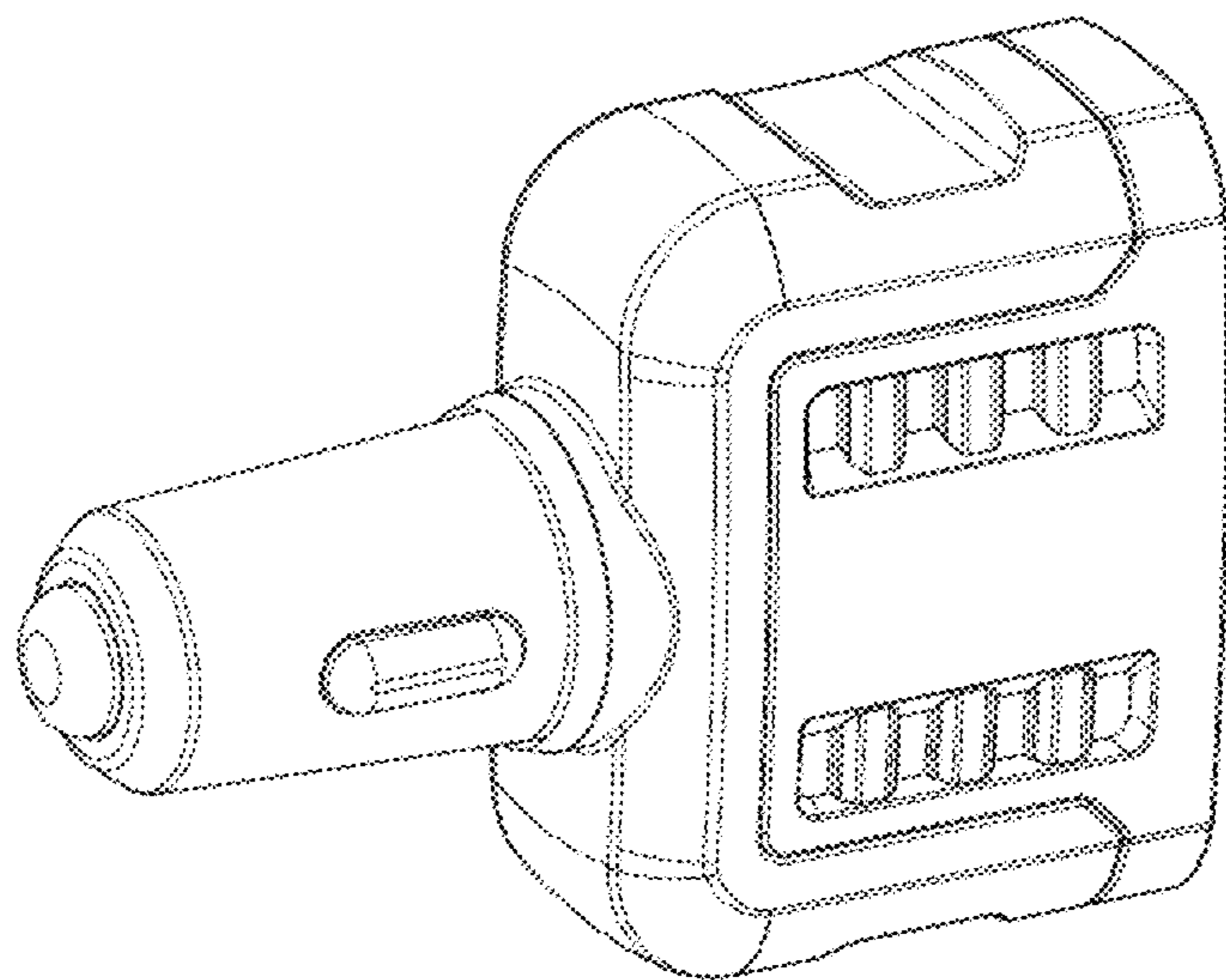


FIG. 16