



US00D958084S

(12) **United States Design Patent**  
**Lin**

(10) **Patent No.:** **US D958,084 S**

(45) **Date of Patent:** **\*\* Jul. 19, 2022**

(54) **SOCKET**

(71) Applicant: **Dongguan Wontravel Electric Co., Ltd.**, Guangdong (CN)

(72) Inventor: **Liangguan Lin**, Guangdong (CN)

(\*\*) Term: **15 Years**

(21) Appl. No.: **29/768,173**

(22) Filed: **Jan. 28, 2021**

(51) **LOC (13) Cl.** ..... **13-03**

(52) **U.S. Cl.**  
USPC ..... **D13/139.8**

(58) **Field of Classification Search**  
USPC ..... D13/137.1, 137.2, 137.3, 137.4, 138.1, D13/138.2, 139.1, 139.2, 139.3, 139.4, D13/139.5, 139.6, 139.7, 139.8, 103, 107, D13/108, 110, 119, 123, 133, 145, 152, D13/153, 154, 156, 158, 160, 162, 177, D13/184, 199  
CPC ..... H01R 13/00; H01R 13/03; H01R 13/04; H01R 13/10; H01R 13/35; H01R 13/44; H01R 13/453; H01R 13/4534; H01R 13/502; H01R 13/514; H01R 13/631; H01R 13/639; H01R 13/6633; H01R 13/6666; H01R 13/6675; H01R 13/7135; H01R 31/02; H01R 31/06; H01R 31/065  
See application file for complete search history.

(56) **References Cited**

U.S. PATENT DOCUMENTS

- D400,505 S \* 11/1998 Yu ..... D13/139.8
- D402,963 S \* 12/1998 Parshad ..... D13/139.8
- D551,169 S \* 9/2007 Tropp ..... D13/139.6
- D682,789 S \* 5/2013 Au ..... D13/137.3
- D684,119 S \* 6/2013 Barzman ..... D13/137.2
- D693,770 S \* 11/2013 Miller ..... D13/139.2
- D701,834 S \* 4/2014 Lee ..... D13/137.2
- D796,443 S \* 9/2017 Xu ..... D13/139.6
- D797,676 S \* 9/2017 Xu ..... D13/139.6

- D801,276 S \* 10/2017 Lin ..... D13/139.7
- D837,736 S \* 1/2019 Liao ..... D13/139.7
- D900,033 S \* 10/2020 Chen ..... D13/137.2
- D900,748 S \* 11/2020 Chen ..... D13/137.2

(Continued)

FOREIGN PATENT DOCUMENTS

- GB 6140071 \* 5/2021
- IL 59593 \* 11/2018

(Continued)

OTHER PUBLICATIONS

“Amazon Basics 6-Outlet Surge Protector Power Strip, 2 USB Ports, 2 Ft Cord—500 Joule, Black, 2-Pack”, first available Sep. 25, 2019. Amazon.com [https://www.amazon.com/dp/B07Q54SMY8] (Year: 2019).\*

(Continued)

*Primary Examiner* — Rosemary K Tarcza  
*Assistant Examiner* — Seth David Kumpf  
(74) *Attorney, Agent, or Firm* — Prakash Nama; Global IP Services, PLLC

(57) **CLAIM**

The ornamental design for a socket, as shown and described.

**DESCRIPTION**

FIG. 1 is a front elevational view of a socket showing my new design;  
FIG. 2 is a rear elevational view thereof;  
FIG. 3 is a left side view thereof;  
FIG. 4 is a right side view thereof;  
FIG. 5 is a top plan view thereof;  
FIG. 6 is a bottom plan view thereof;  
FIG. 7 is a front perspective view thereof;  
FIG. 8 is a left perspective view thereof; and,  
FIG. 9 is a rear perspective view thereof.

**1 Claim, 9 Drawing Sheets**



(56)

References Cited

U.S. PATENT DOCUMENTS

D908,631	S	*	1/2021	Yu	.....	D13/137.2
D920,253	S	*	5/2021	Tao	.....	D13/137.2
D920,254	S	*	5/2021	Tao	.....	D13/137.2
D922,327	S	*	6/2021	Tao	.....	D13/137.2
D924,809	S	*	7/2021	Chen	.....	D13/137.2
D931,220	S	*	9/2021	Wang	.....	D13/137.2
D934,180	S	*	10/2021	Yan	.....	D13/139.8
D937,216	S	*	11/2021	Tao	.....	D13/139.1
D938,360	S	*	12/2021	Chang	.....	D13/137.2
2021/0111524	A1	*	4/2021	Jie	.....	H01R 25/003

FOREIGN PATENT DOCUMENTS

KR	300781978.0000	*	2/2015
KR	300821222.0000	*	10/2015
KR	300896160.0000	*	3/2017
KR	301086617.0000	*	12/2020

OTHER PUBLICATIONS

“CyberPower GS60304 Power Strip 6-Outlets 3-Foot Cord White”, first available Aug. 3, 2016. Amazon.com [https://www.amazon.com/dp/B01JRLT65C/] (Year: 2016).\*

“GE 6-Outlet Power Strip, 2 Pack, 2 Ft Extension Cord, Heavy Duty Plug, Grounded, Integrated Circuit Breaker, 3-Prong, Wall Mount, UL Listed, White, 14833”, first available May 6, 2012. Amazon.com [https://www.amazon.com/dp/B0080Z7974] (Year: 2012).\*

“GE 6-Outlet Surge Protector, 10 Ft Extension Cord, Power Strip, 800 Joules, Flat Plug, Twist-to-Close Safety Covers, UL Listed, White, 14092”, first available Nov. 1, 2011. Amazon.com [https://www.amazon.com/dp/B00DOMYL24] (Year: 2011).\*

“Amazon Basics 6-Outlet, 200 Joule Surge Protector Power Strip, 2 Foot, White—Pack of 2”, first available Jul. 22, 2015. Amazon.com [https://www.amazon.com/dp/B00TP1BWMK] (Year: 2015).\*

“KMC 6-Outlet Surge Protector Power Strip 2-Pack, 900 Joules, 4-Foot Extension Cord, Overload Protection, Black”, first available Dec. 9, 2017. Amazon.com [https://www.amazon.com/dp/B0781SKPRZ] (Year: 2017).\*

“Power Strip, SUPERDANNY 5-Outlet Surge Protector, 3 USB Ports, 4.5 Ft Extension Cord, 900 Joules, Mountable, Overload Switch, Protected Indicator Light, Multiple Protections for Home Office, Black”, first available Aug. 31, 2018. Amazon.com [https://www.amazon.com/dp/B07GZNVHT4] (Year: 2018).\*

“2 Pack Power Strip Surge Protector—5 Widely Spaced Outlets 3 USB Charging Ports, 1875W/15A with 6Ft Braided Extension Cord, Flat Plug, Overload Surge Protection, Wall Mount for Home Office”, first available Dec. 18, 2020. Amazon.com [https://www.amazon.com/dp/B08QYJMJQ3] (Year: 2020).\*

\* cited by examiner

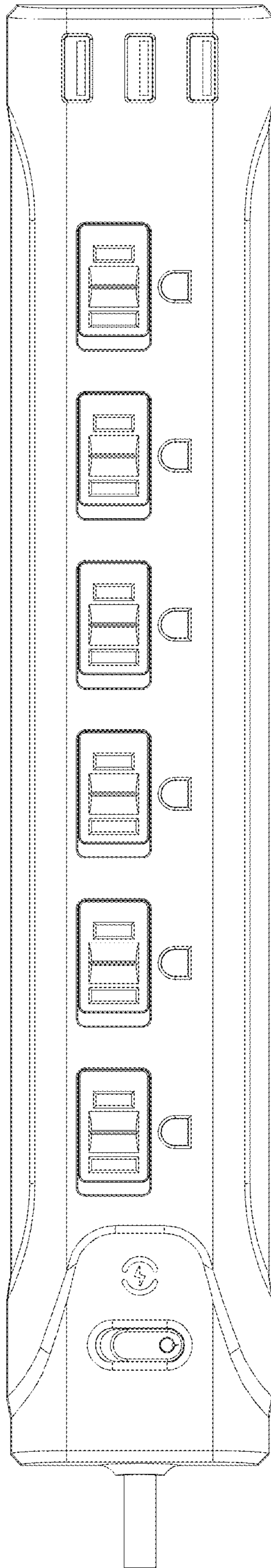


FIG. 1

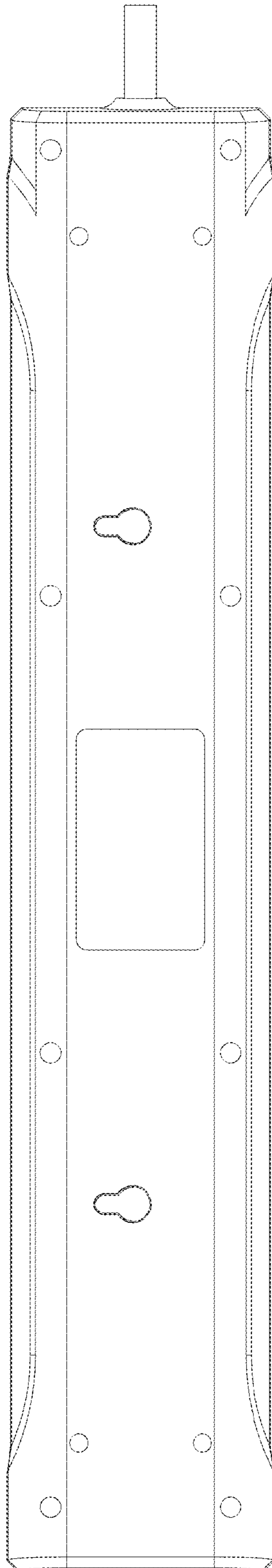


FIG. 2

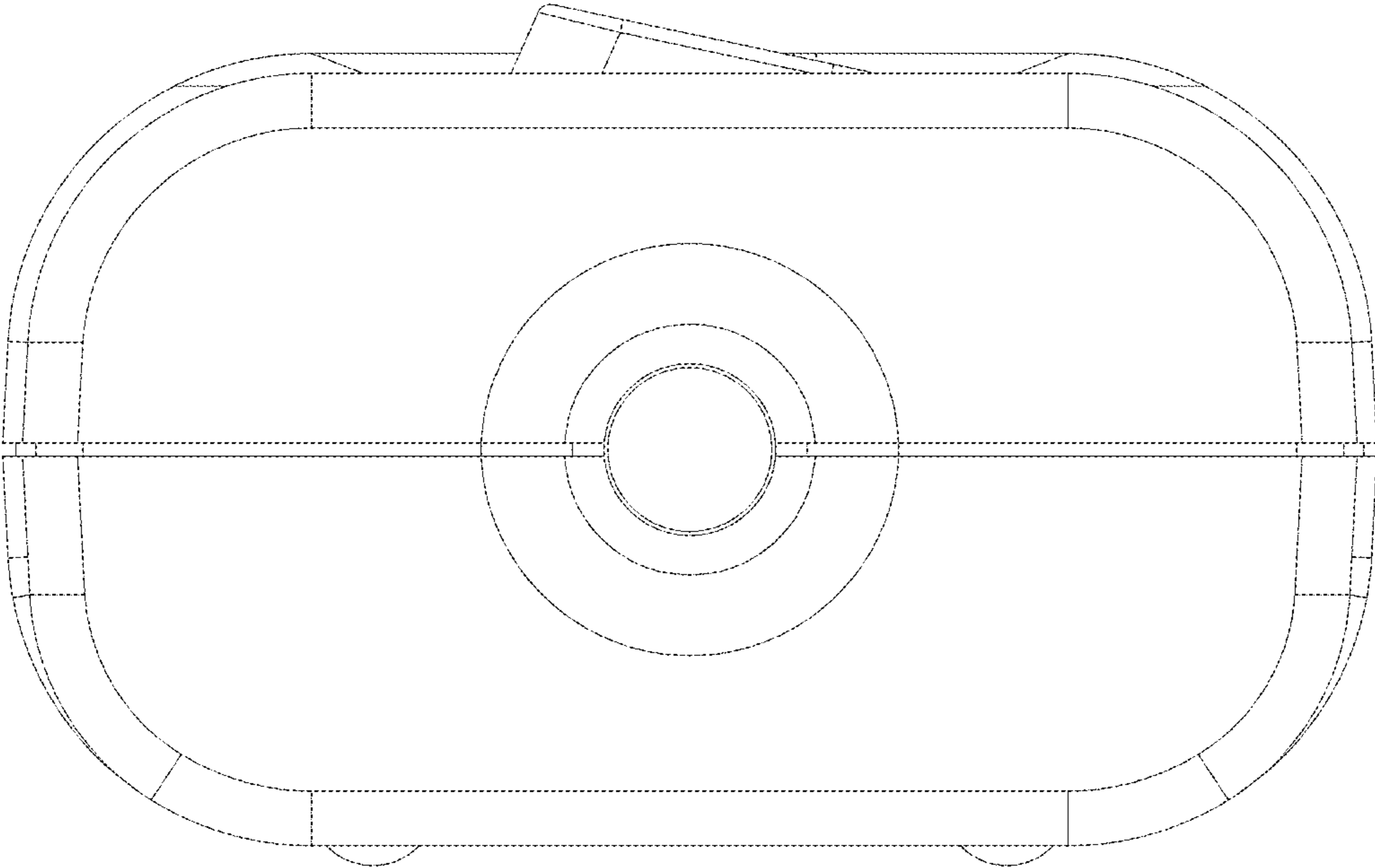


FIG. 3



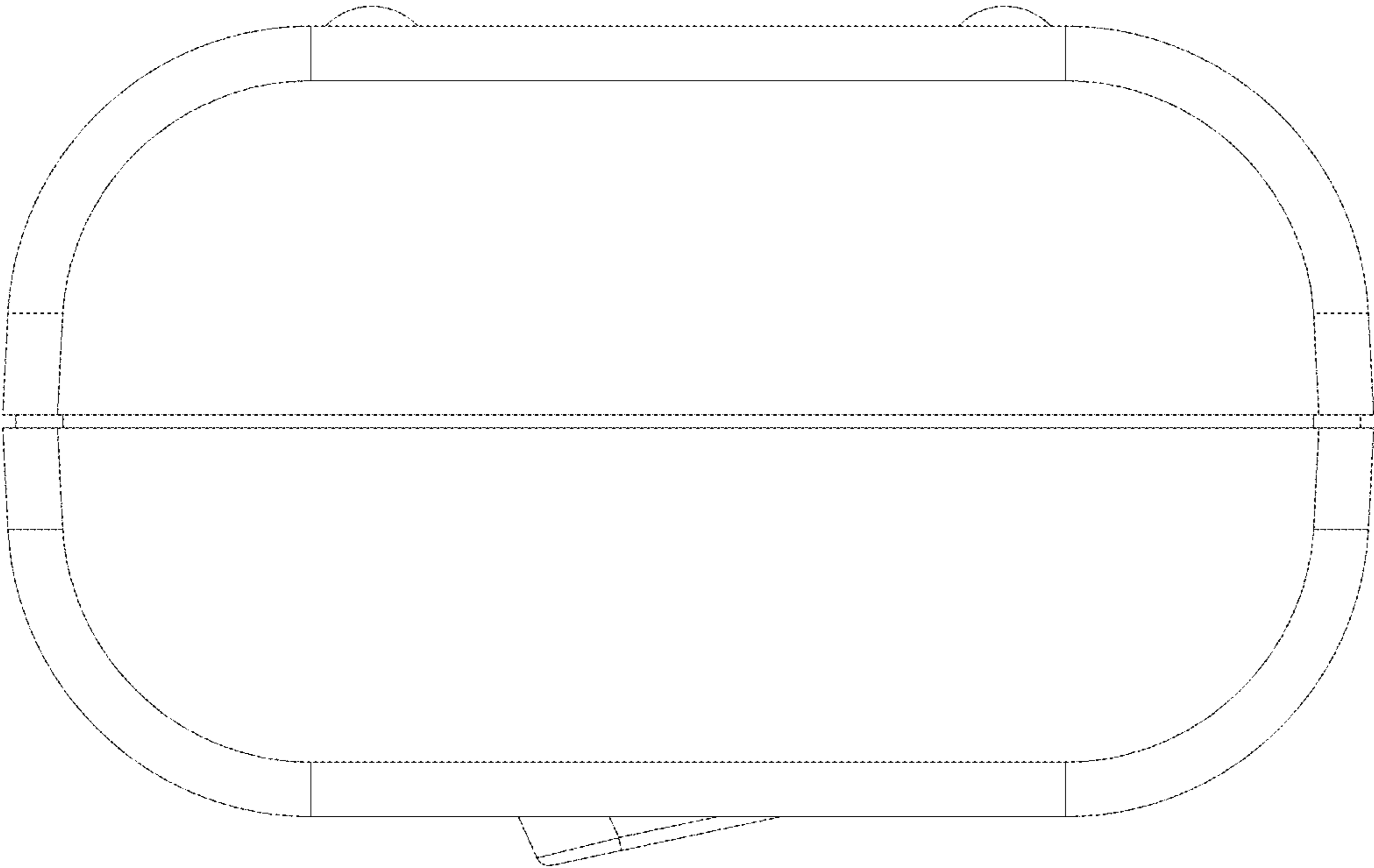


FIG. 4

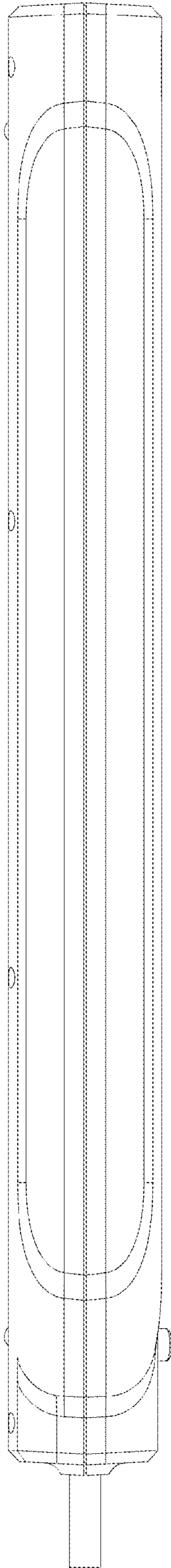


FIG. 5

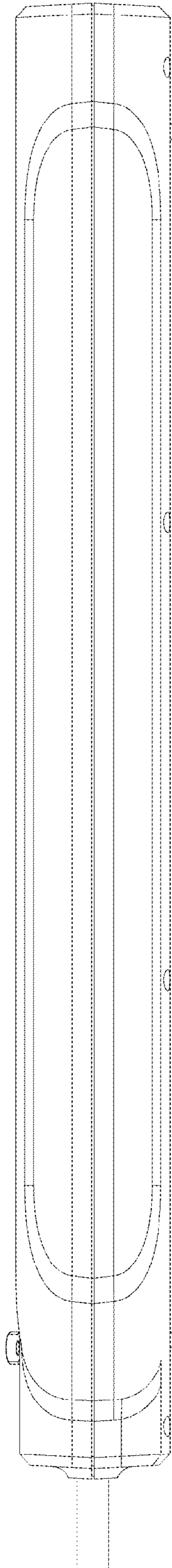


FIG. 6



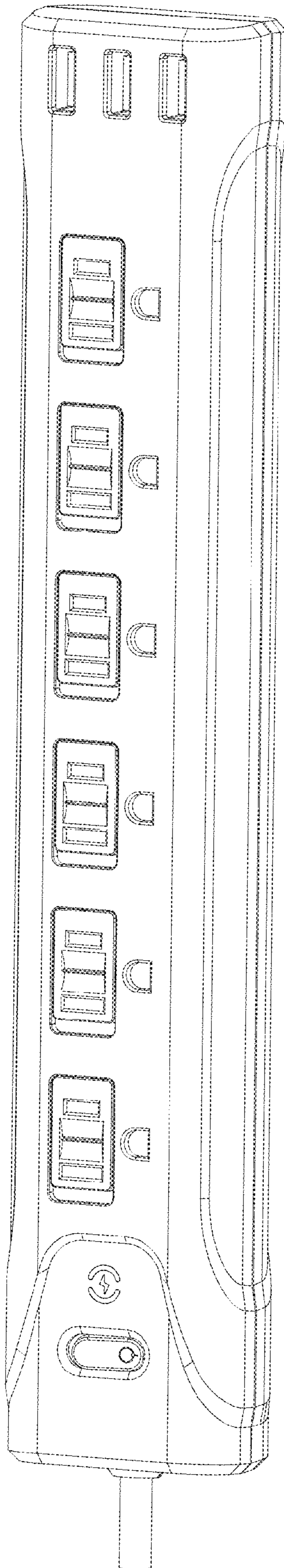


FIG. 7

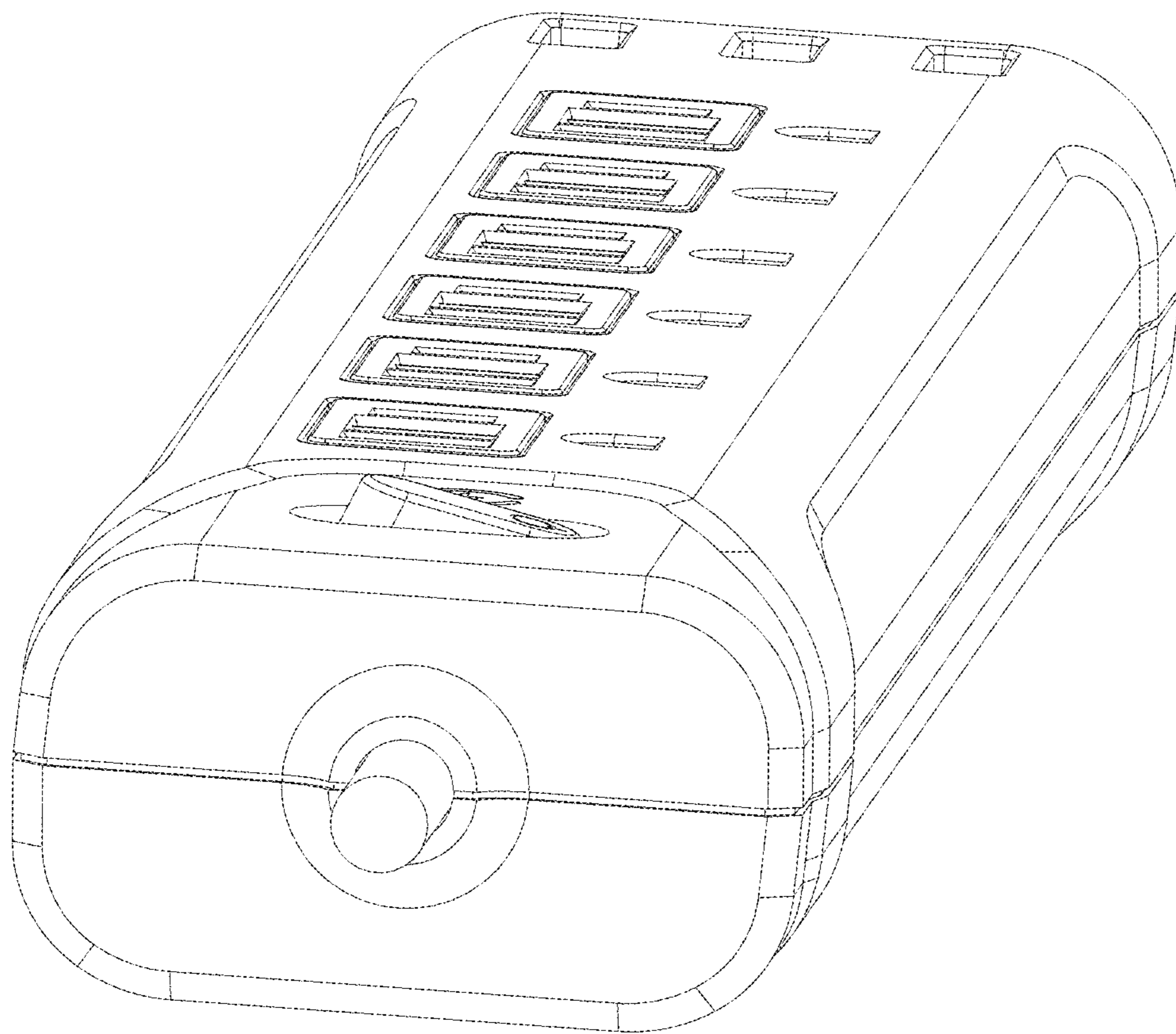


FIG. 8

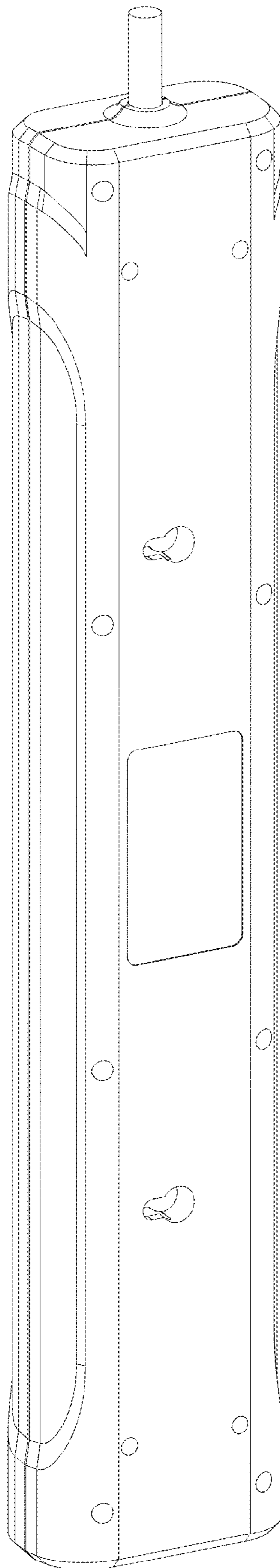


FIG. 9