



US00D958080S

(12) **United States Design Patent**
Lin

(10) **Patent No.:** **US D958,080 S**
(45) **Date of Patent:** **** Jul. 19, 2022**

(54) **SOCKET**

(71) Applicant: **Dongguan Wontravel Electric Co., Ltd., Guangdong (CN)**

(72) Inventor: **Liangguan Lin, Guangdong (CN)**

(**) Term: **15 Years**

(21) Appl. No.: **29/769,186**

(22) Filed: **Feb. 4, 2021**

(30) **Foreign Application Priority Data**

Jan. 15, 2021 (CN) 202130025302.5

(51) **LOC (13) Cl.** **13-03**

(52) **U.S. Cl.**
USPC **D13/137.2**

(58) **Field of Classification Search**

USPC D13/137.1, 137.2, 137.3, 137.4, 138.1, D13/138.2, 139.1, 139.2, 139.3, 139.4, D13/139.5, 139.6, 139.7, 139.8, 103, 107, D13/108, 110, 119, 123, 133, 145, 152, D13/153, 154, 156, 158, 160, 162, 177, D13/184, 199

CPC H01R 13/00; H01R 13/03; H01R 13/04; H01R 13/10; H01R 13/35; H01R 13/44; H01R 13/453; H01R 13/4534; H01R 13/502; H01R 13/514; H01R 13/631; H01R 13/639; H01R 13/6633; H01R 13/6666; H01R 13/6675; H01R 13/7135; H01R 31/02; H01R 31/06; H01R 31/065

See application file for complete search history.

(56) **References Cited**

U.S. PATENT DOCUMENTS

D756,303 S * 5/2016 Kellenberger D13/137.1
D801,936 S * 11/2017 Rose D13/139.4
D801,937 S * 11/2017 Rose D13/139.4
D849,686 S * 5/2019 Byrne D13/137.2

D851,597 S * 6/2019 Ding D13/137.2
D852,140 S * 6/2019 Chen D13/137.2
D867,996 S * 11/2019 Chen D13/137.2
D872,695 S * 1/2020 Bo D13/137.2

(Continued)

FOREIGN PATENT DOCUMENTS

CA 173786 * 7/2019
CA 186156 * 5/2020

(Continued)

OTHER PUBLICATIONS

“Anker Outlet Extender with USB Wall Plug, PowerExtend USB Plug 2 Mini Wall Charger with 2 Outlets, 2 USB Ports, and PowerIQ Technology”, first available Aug. 17, 2020. Amazon.com [https://www.amazon.com/Anker-PowerExtend-Charger-outlets-Technology/dp/B08G1J7TKR] (Year: 2020).*

(Continued)

Primary Examiner — Rosemary K Tarcza
Assistant Examiner — Seth David Kumpf
(74) *Attorney, Agent, or Firm* — Prakash Nama; Global IP Services, PLLC

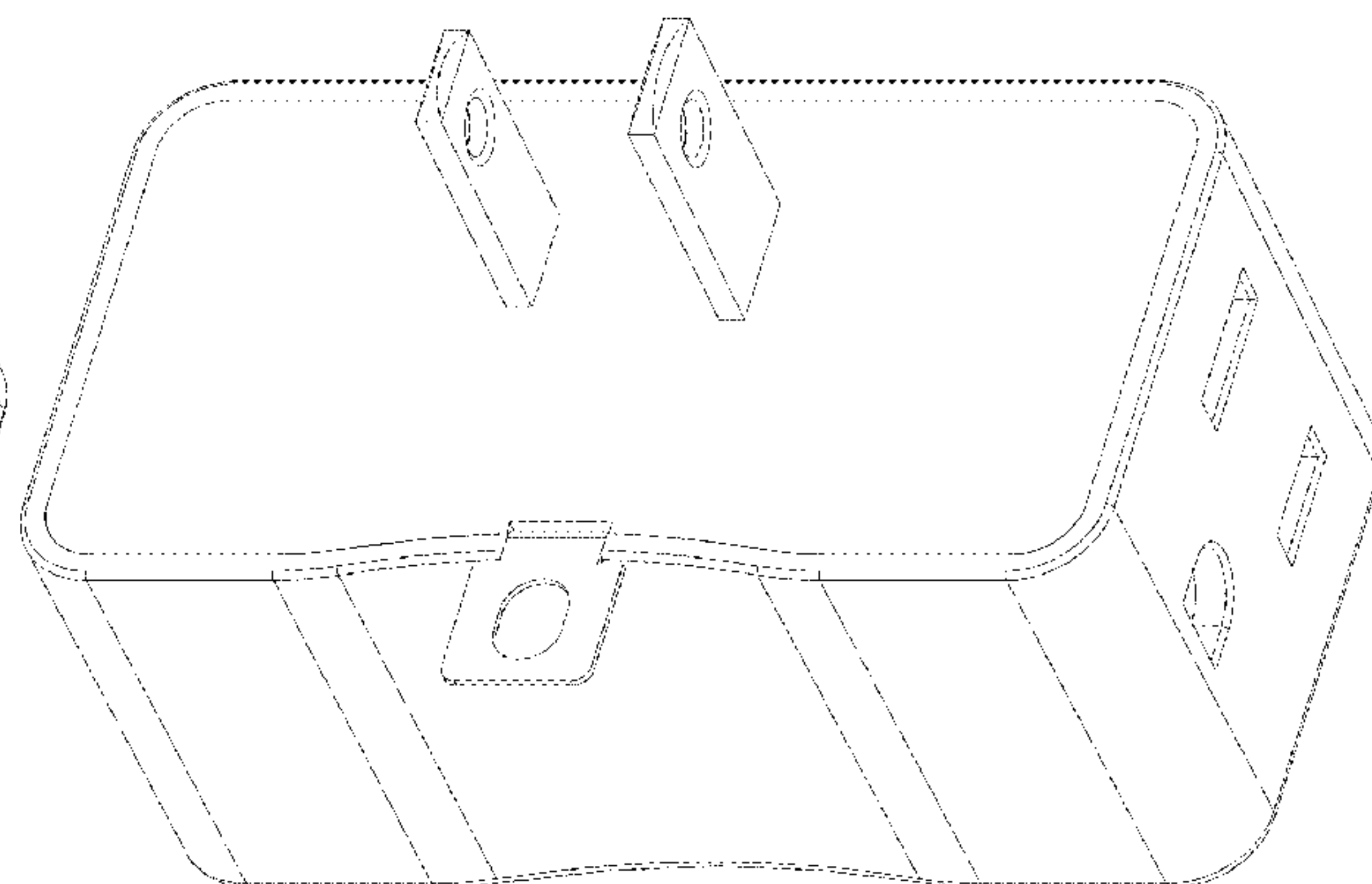
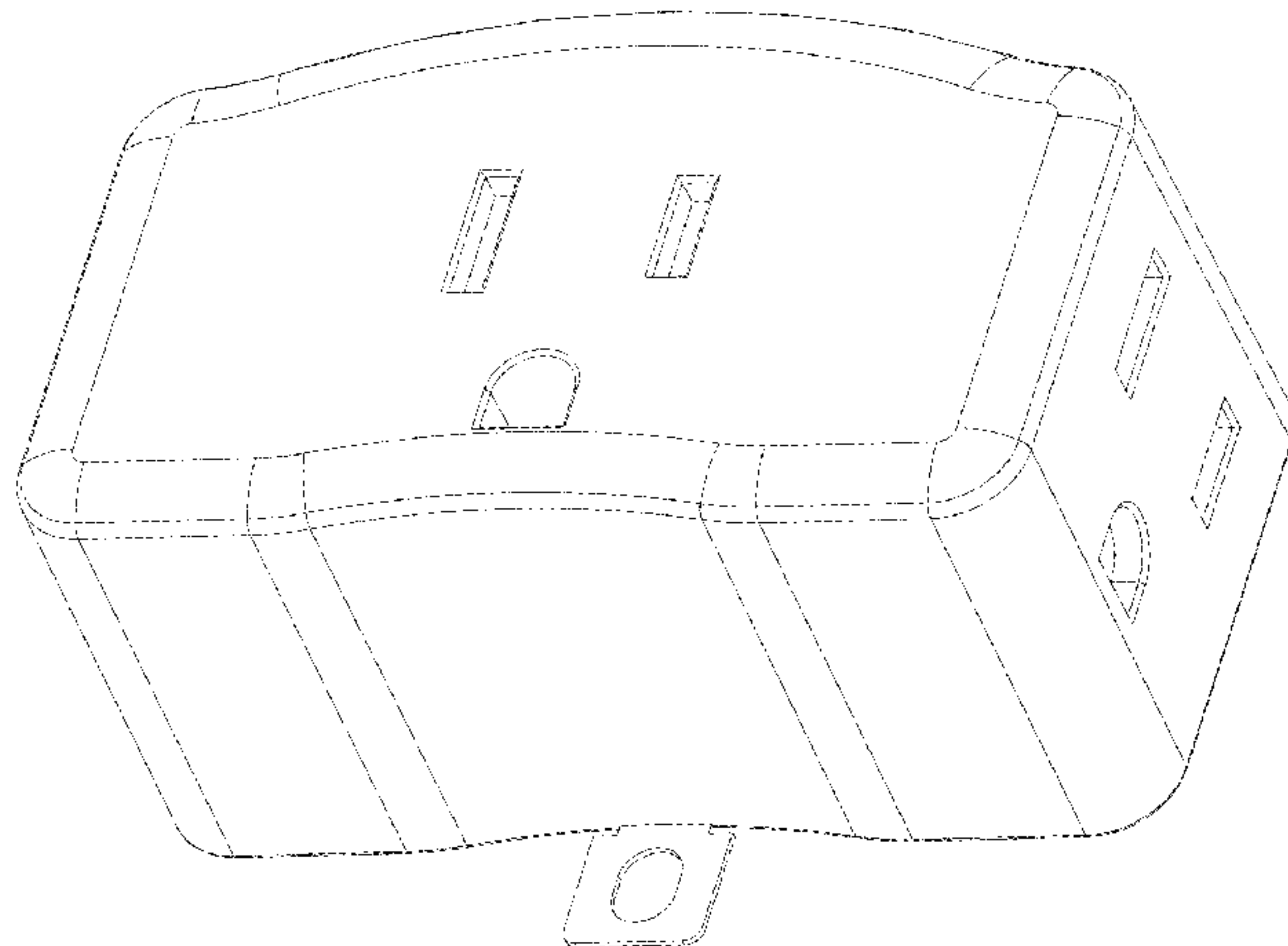
(57) **CLAIM**

The ornamental design for a socket, as shown.

DESCRIPTION

FIG. 1 is a front elevational view of a socket showing my new design;
FIG. 2 is a rear elevational view thereof;
FIG. 3 is a left side view thereof;
FIG. 4 is a right side view thereof;
FIG. 5 is a top plan view thereof;
FIG. 6 is a bottom plan view thereof;
FIG. 7 is a perspective view thereof;
FIG. 8 is a second perspective view thereof; and,
FIG. 9 is a third perspective view thereof.

1 Claim, 9 Drawing Sheets



(56)

References Cited

U.S. PATENT DOCUMENTS

D902,862 S * 11/2020 Rupert D13/137.1
D902,864 S * 11/2020 Turksu D13/137.1
D930,591 S * 9/2021 Rupert D13/137.1
D934,177 S * 10/2021 Canizares D13/137.2

FOREIGN PATENT DOCUMENTS

CA 187898 * 6/2020
CA 187899 * 6/2020
GB 6115171 * 1/2021

OTHER PUBLICATIONS

“Multi Plug Outlet Splitter with USB, TESSAN Outlet Extender Multiple Plug Expander with 3 USB Wall Charger, Surge Protector for Home Office Dorm Room”, first available Jul. 31, 2021. Amazon.com [https://www.amazon.com/dp/B092SB6PNZ] (Year: 2021).*

“Belkin Wall Mount Surge Protector—3 AC Multi Outlets & 2 USB Ports—Flat Rotating Plug Splitter—Wall Outlet Extender for Home, Office, Travel, Computer Desktop & Charging Brick—918 Joules”, first available Dec. 27, 2012. Amazon.com [https://www.amazon.com/dp/B00ATZJ5YS] (Year: 2012).*

“Multi Plug Outlet Extender, Unidapt 3 Outlet Wall Adapter, Multiple Outlet Splitter, Grounded Wall Tap Power Plug Expander for Cruise Ship Home Office Dorm Essentials, 2-Pack”, first available Sep. 21, 2020. Amazon.com [https://www.amazon.com/dp/B08JMC3Z7V] (Year: 2020).*

* cited by examiner

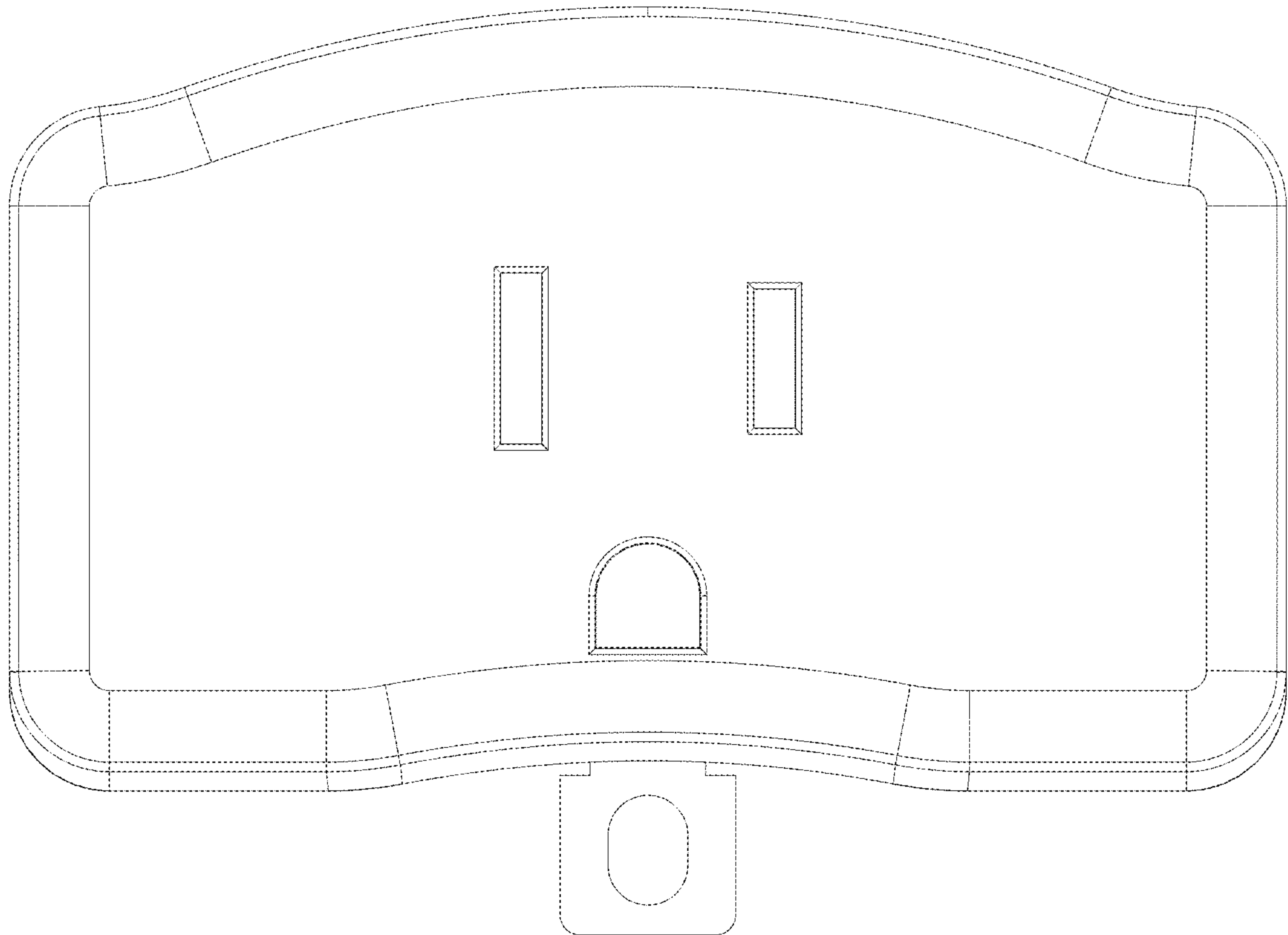


FIG. 1

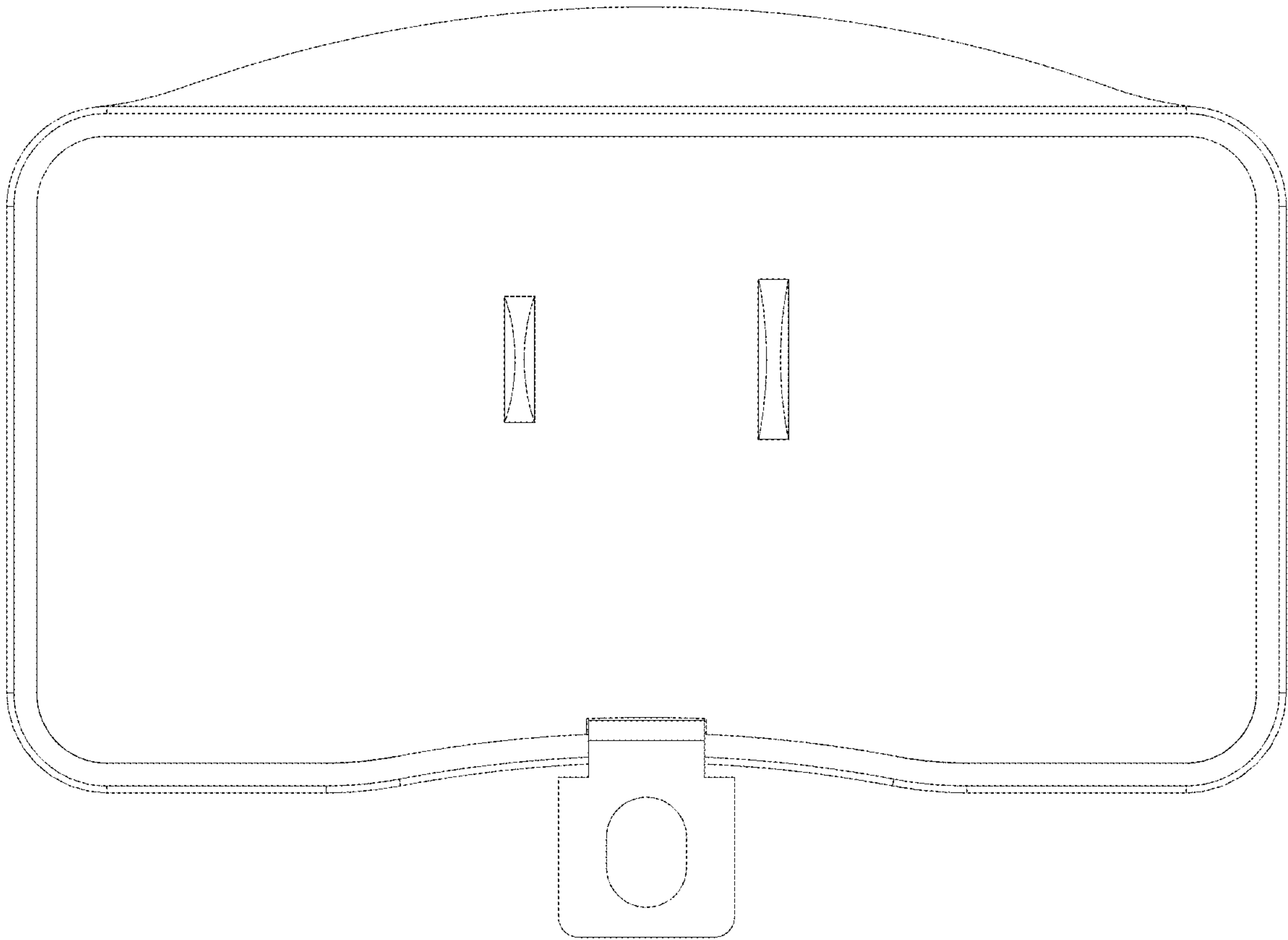


FIG. 2

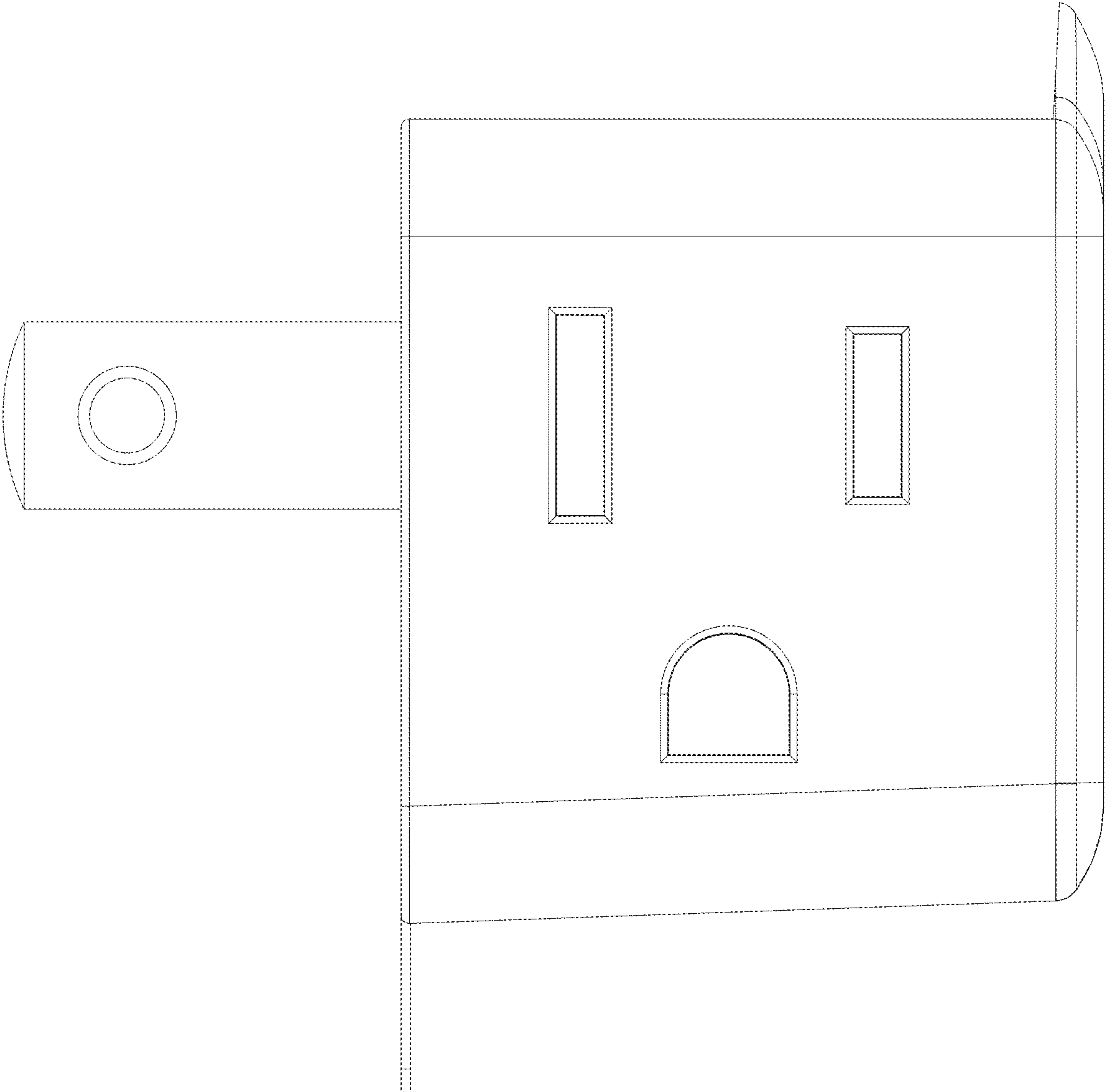


FIG. 3

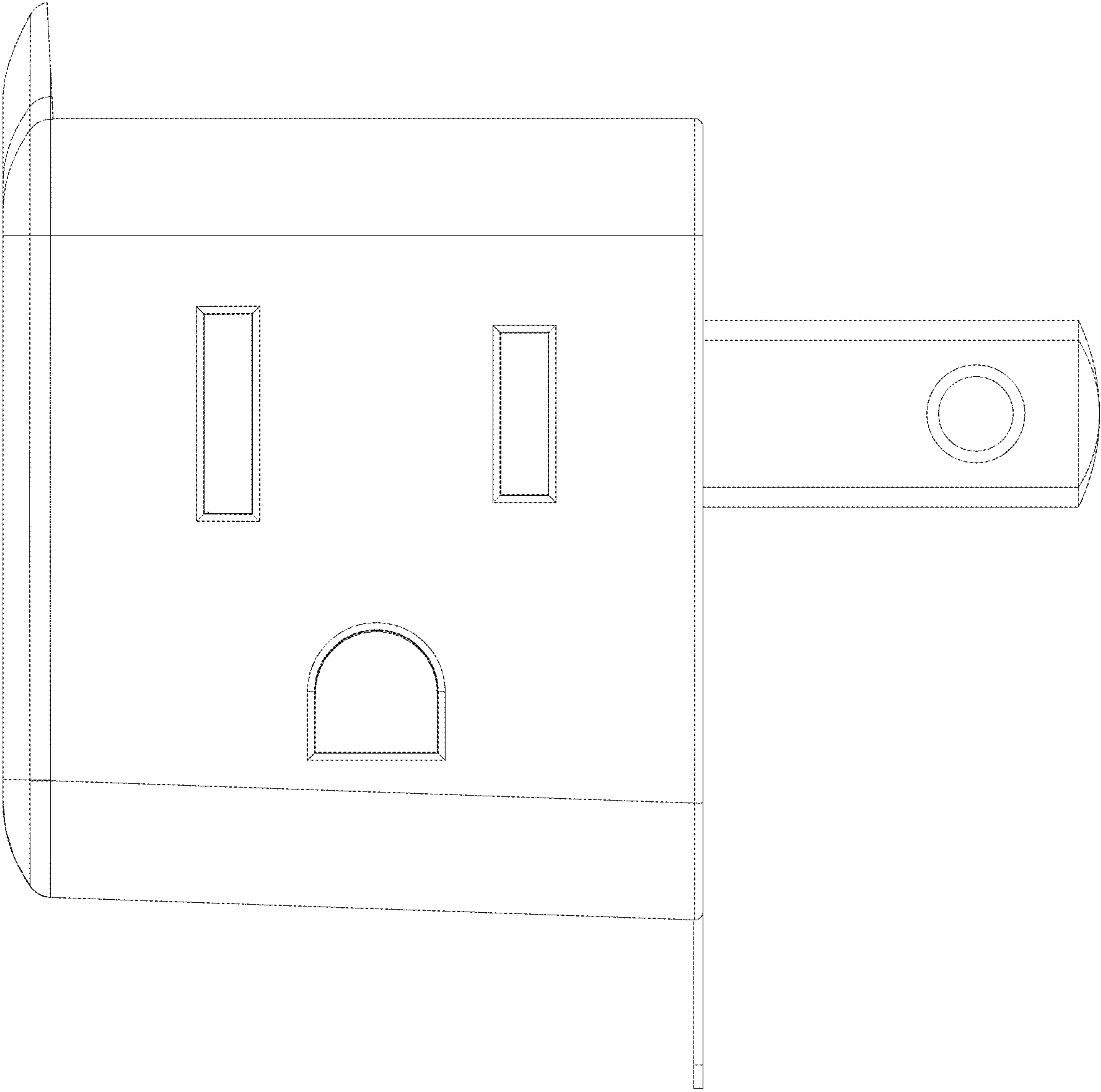


FIG. 4

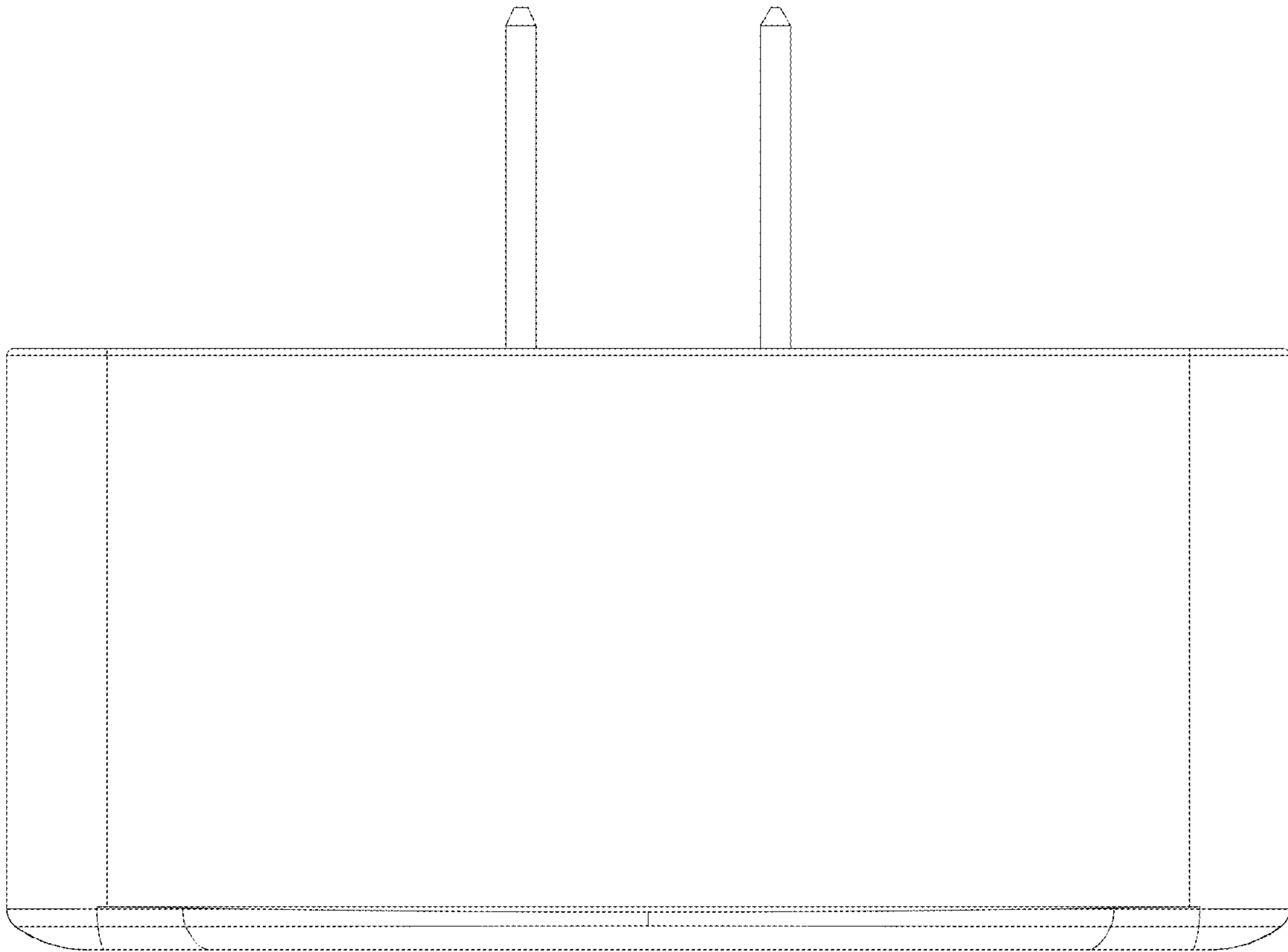


FIG. 5

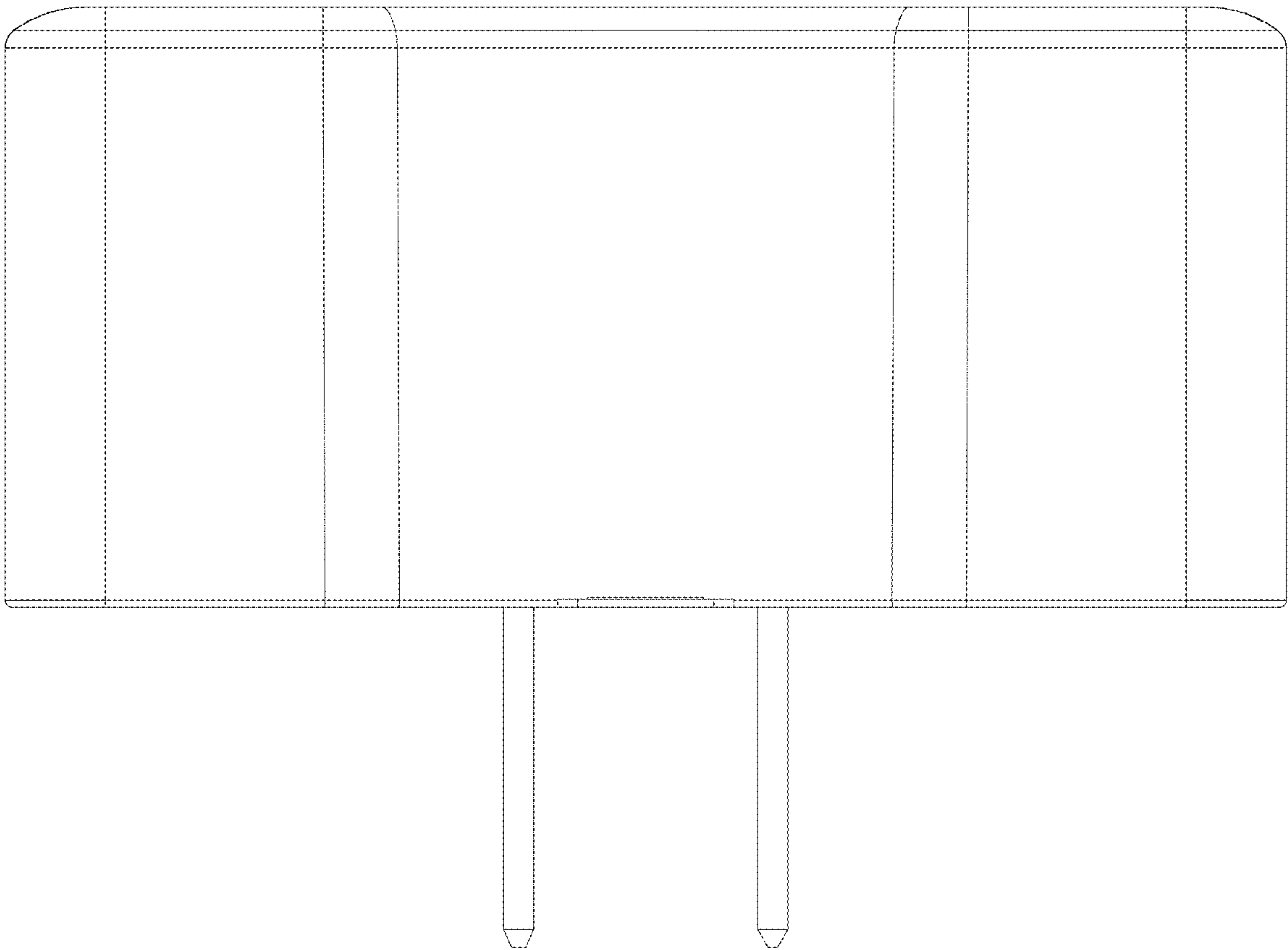


FIG. 6

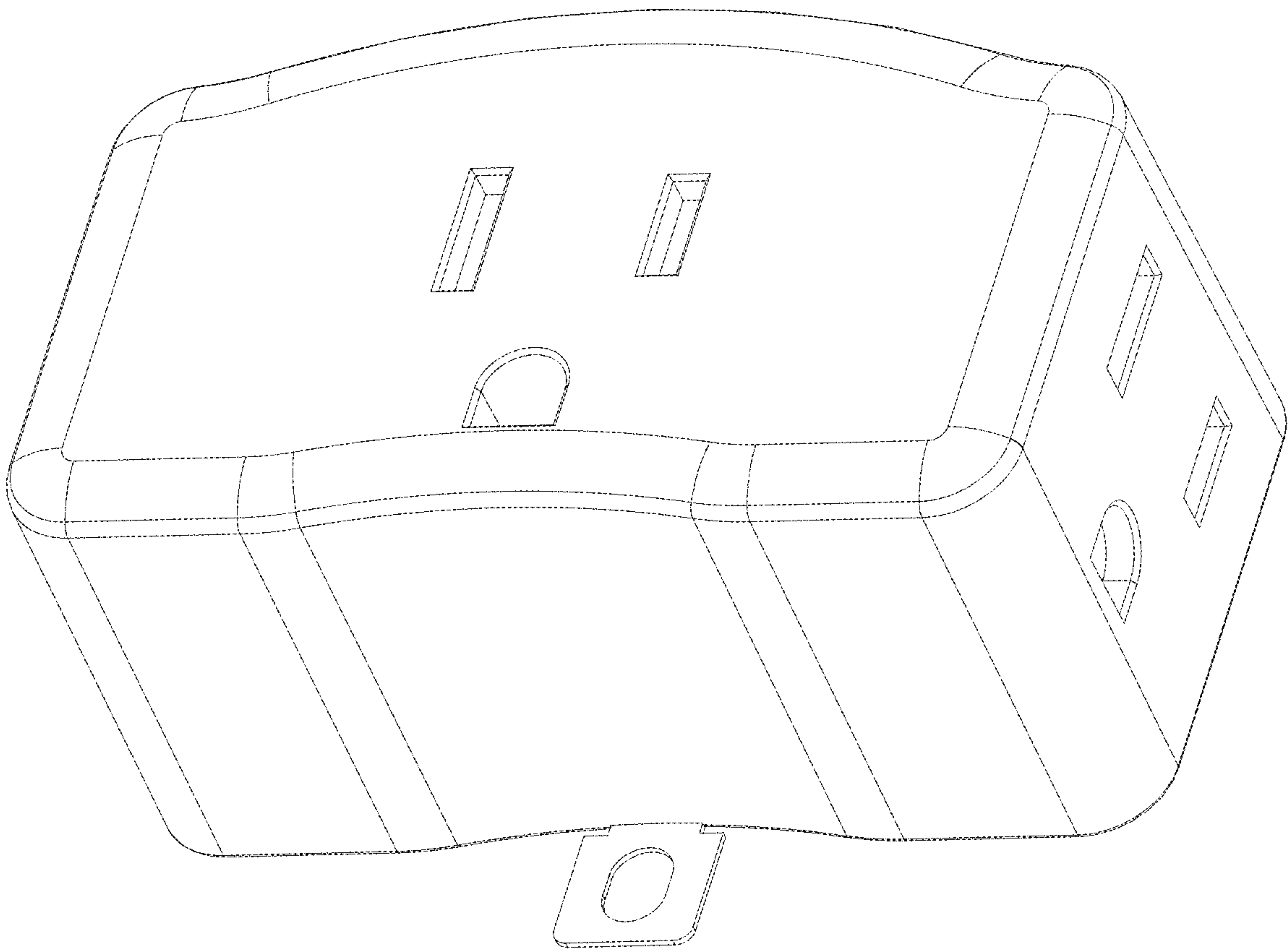


FIG. 7

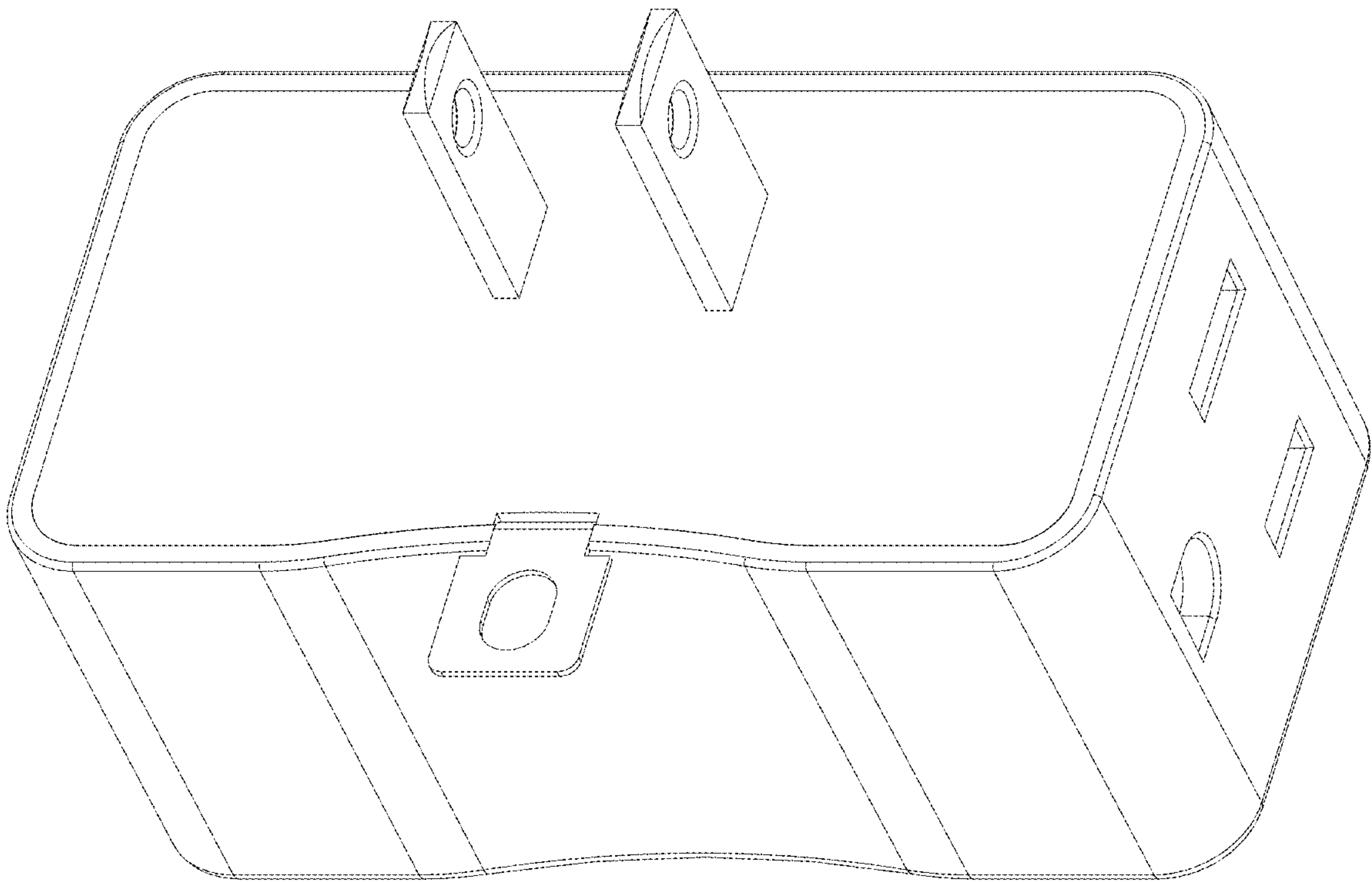


FIG. 8

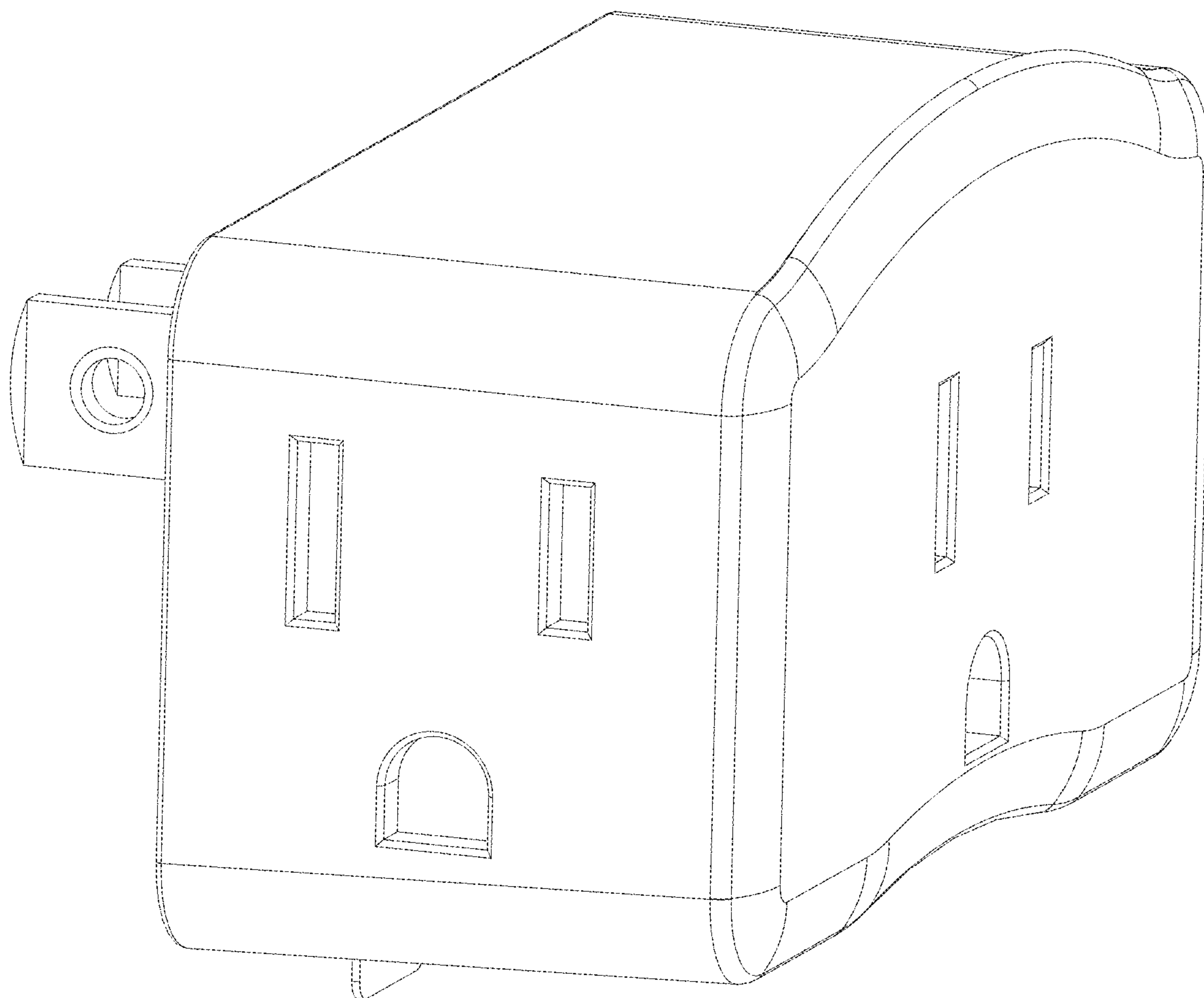


FIG. 9