



US00D958078S

(12) **United States Design Patent** (10) **Patent No.:** **US D958,078 S**
Desai et al. (45) **Date of Patent:** **** Jul. 19, 2022**

(54) **CONNECTOR**
(71) Applicant: **Molex, LLC**, Lisle, IL (US)
(72) Inventors: **Ravikanth Desai**, Bengaluru (IN);
Rahul Bhaskar, Bengaluru (IN);
Narayan Mithun, Bengaluru (IN);
Kalidindi Ramesh Raju, Bengaluru
(IN); **Debashis Sarkar**, Bengaluru (IN)
(73) Assignee: **Molex, LLC**, Lisle, IL (US)
(**) Term: **15 Years**
(21) Appl. No.: **29/753,399**
(22) Filed: **Sep. 30, 2020**
(51) **LOC (13) Cl.** **13-03**
(52) **U.S. Cl.**
USPC **D13/133**
(58) **Field of Classification Search**
USPC D13/101, 107, 118, 123, 133, 146, 147,
D13/149, 153-155, 173, 184, 199
CPC . G02B 6/38; G02B 6/36; H01R 13/40; H01R
13/58; H01R 13/627; H01R 24/00; H01R
31/06; H01R 13/60; H01R 13/66; H01R
43/18
See application file for complete search history.

D550,157 S * 9/2007 Victor D13/133
D552,560 S * 10/2007 Victor D13/133
D555,094 S * 11/2007 Victor D13/133
D576,555 S * 9/2008 Bruseloff D13/147
D582,353 S * 12/2008 Victor D13/156
D584,238 S * 1/2009 Victor D13/156
D596,125 S * 7/2009 Norin D13/133
D601,974 S * 10/2009 Igarashi D13/154
7,850,476 B2 12/2010 Good
7,892,012 B1 2/2011 Foung
RE42,230 E * 3/2011 Norin D13/133
RE42,303 E * 4/2011 Norin D13/133
7,976,329 B2 7/2011 Foung
D682,211 S * 5/2013 Nelson D13/137.2
D688,629 S * 8/2013 Spilker D13/133
D696,631 S * 12/2013 Price D13/147
9,429,732 B2 8/2016 Ahmed et al.
D777,677 S * 1/2017 Chien D13/147
D813,821 S * 3/2018 Corona D13/147
D896,182 S * 9/2020 Corona D13/133
D906,249 S * 12/2020 Hasan D13/137.1
(Continued)

Primary Examiner — Shawn T Gingrich
(74) *Attorney, Agent, or Firm* — Banner & Witcoff, Ltd.

(57) **CLAIM**

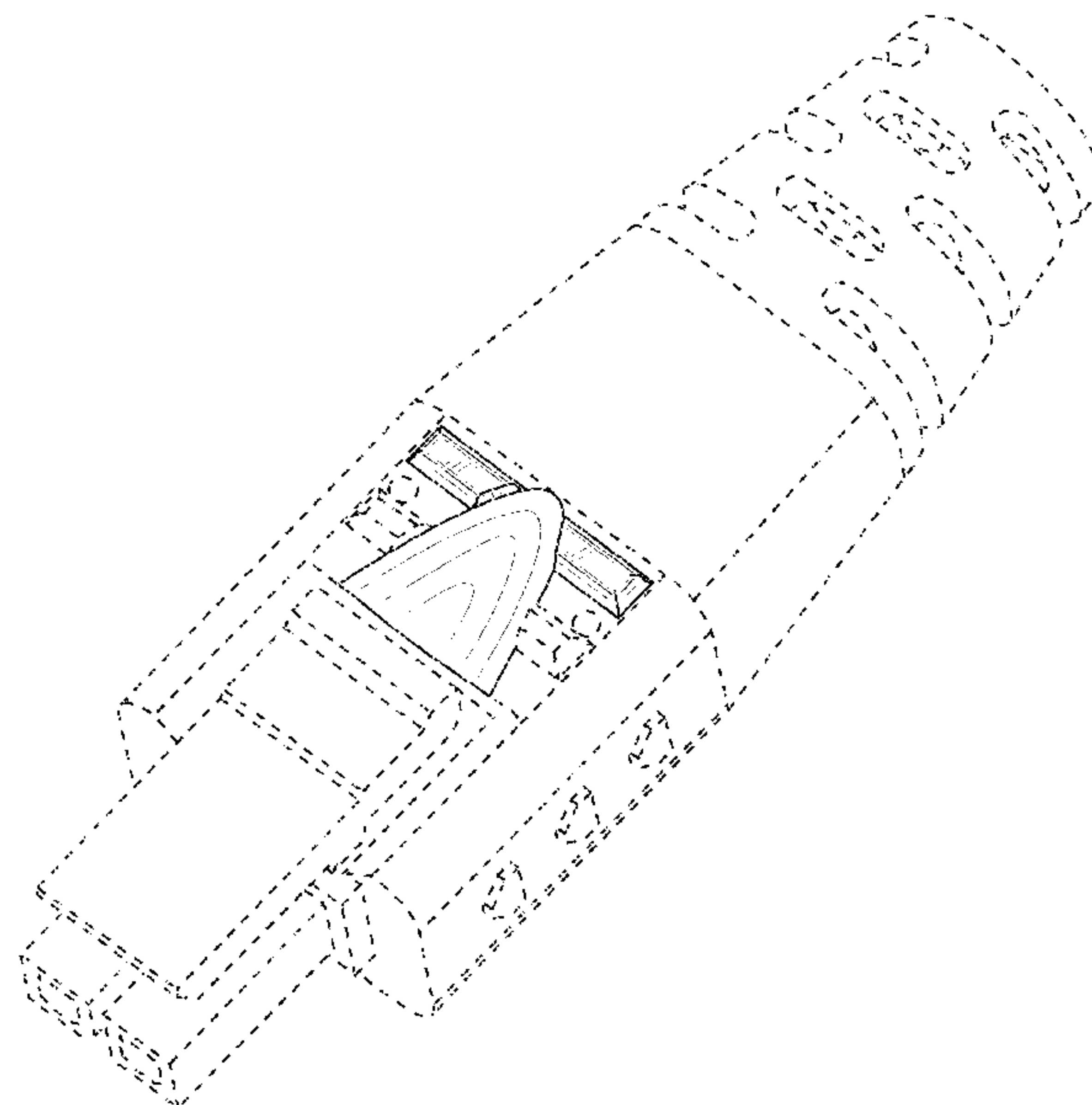
The ornamental design for a connector, as shown and described.

DESCRIPTION

FIG. 1 is a front top perspective view of a connector showing our new design;
FIG. 2 is a top view thereof;
FIG. 3 is a bottom view thereof;
FIG. 4 is a front view thereof;
FIG. 5 is a rear view thereof;
FIG. 6 is a right side view thereof; and,
FIG. 7 is a left side view thereof.
The broken lines depicting the remainder of the connector form no part of the claimed design.

1 Claim, 7 Drawing Sheets

(56) **References Cited**
U.S. PATENT DOCUMENTS
5,897,503 A 4/1999 Lyon et al.
D456,509 S * 4/2002 Schultz D13/153
D456,781 S * 5/2002 Lord D13/154
6,428,357 B1 8/2002 Dolinshek et al.
6,454,604 B1 9/2002 Currie et al.
6,910,795 B2 6/2005 Luca et al.
D515,508 S * 2/2006 Lee D13/147
D540,259 S * 4/2007 Huang D13/147
D543,148 S * 5/2007 Suckle D13/146
7,251,409 B2 7/2007 Shakeri



(56)

References Cited

U.S. PATENT DOCUMENTS

2014/0331464 A1* 11/2014 Jiang G02B 6/3898
29/283
2015/0071592 A1* 3/2015 Zimmer G02B 6/3889
385/80

* cited by examiner

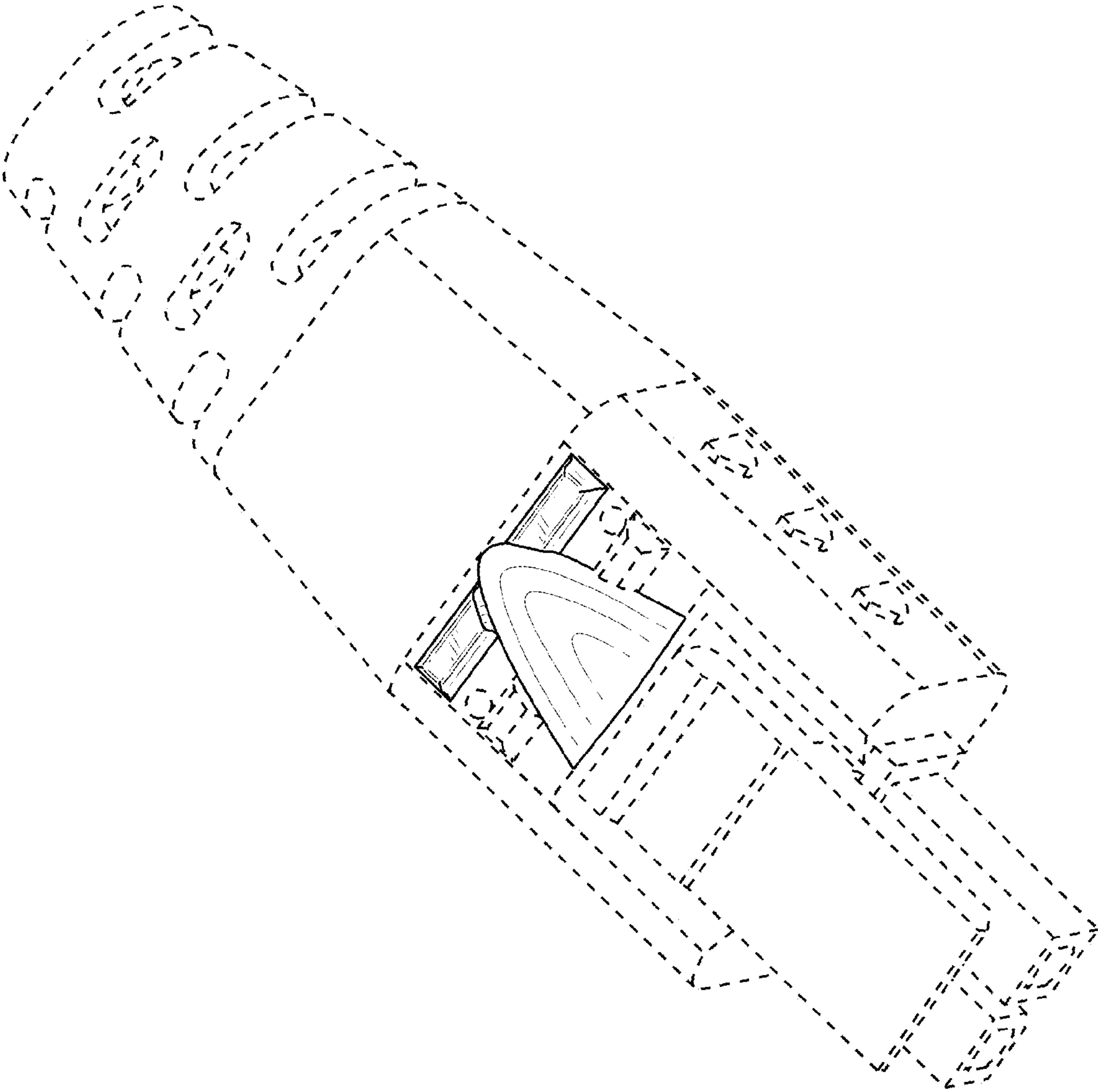


FIG. 1

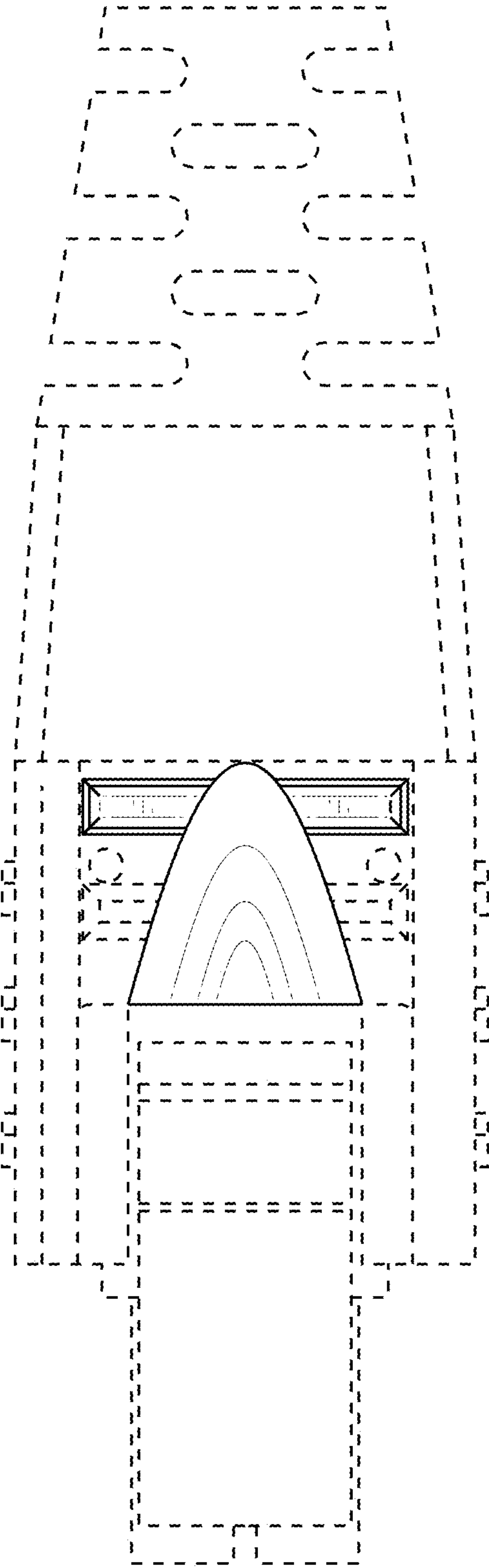


FIG. 2

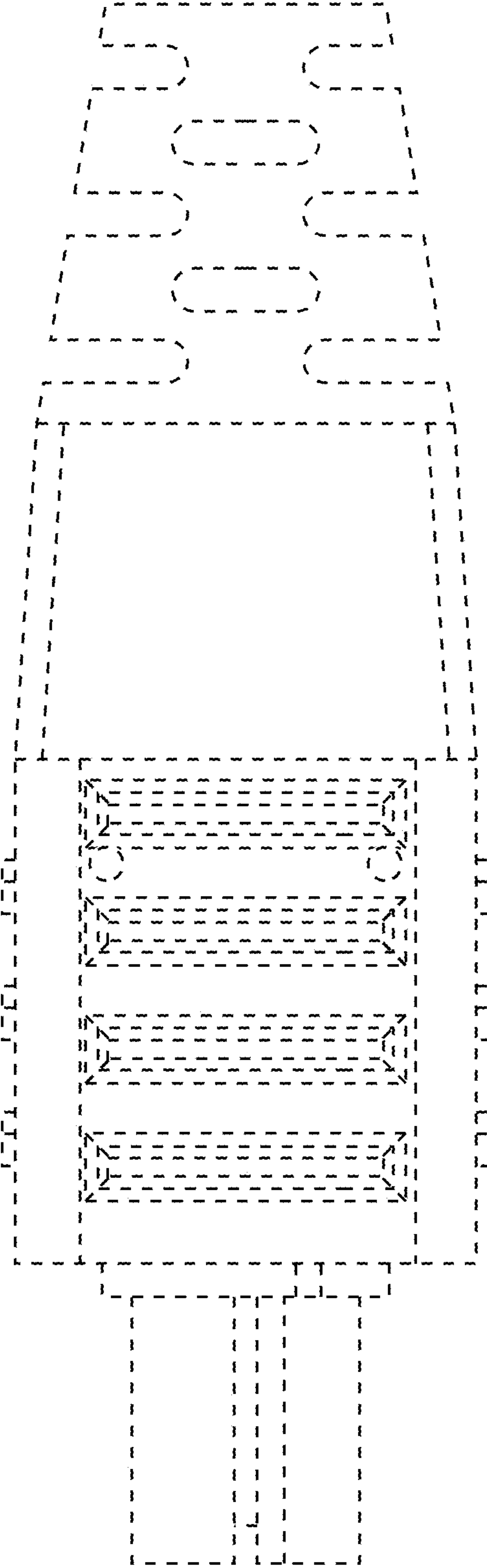


FIG. 3

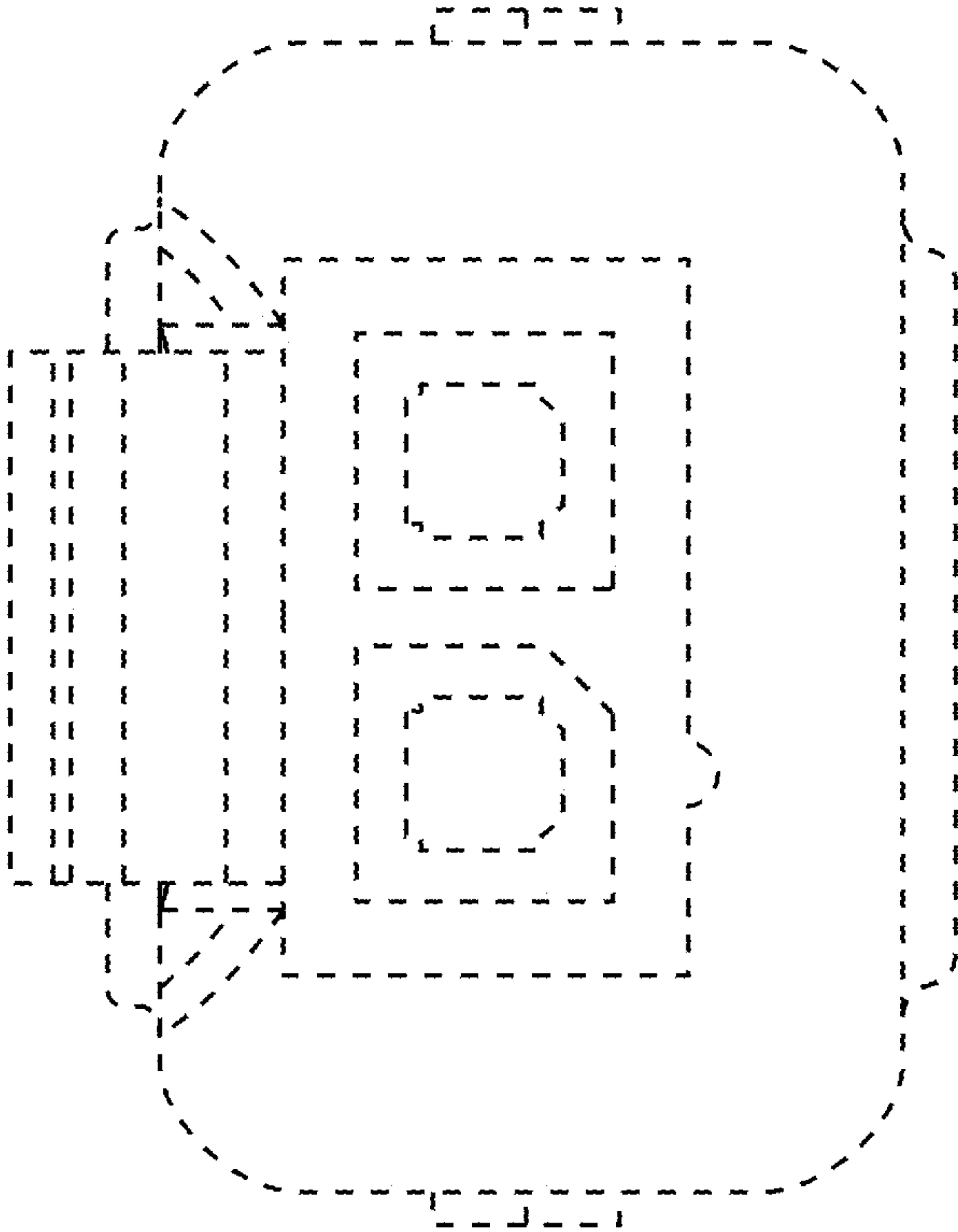


FIG. 4

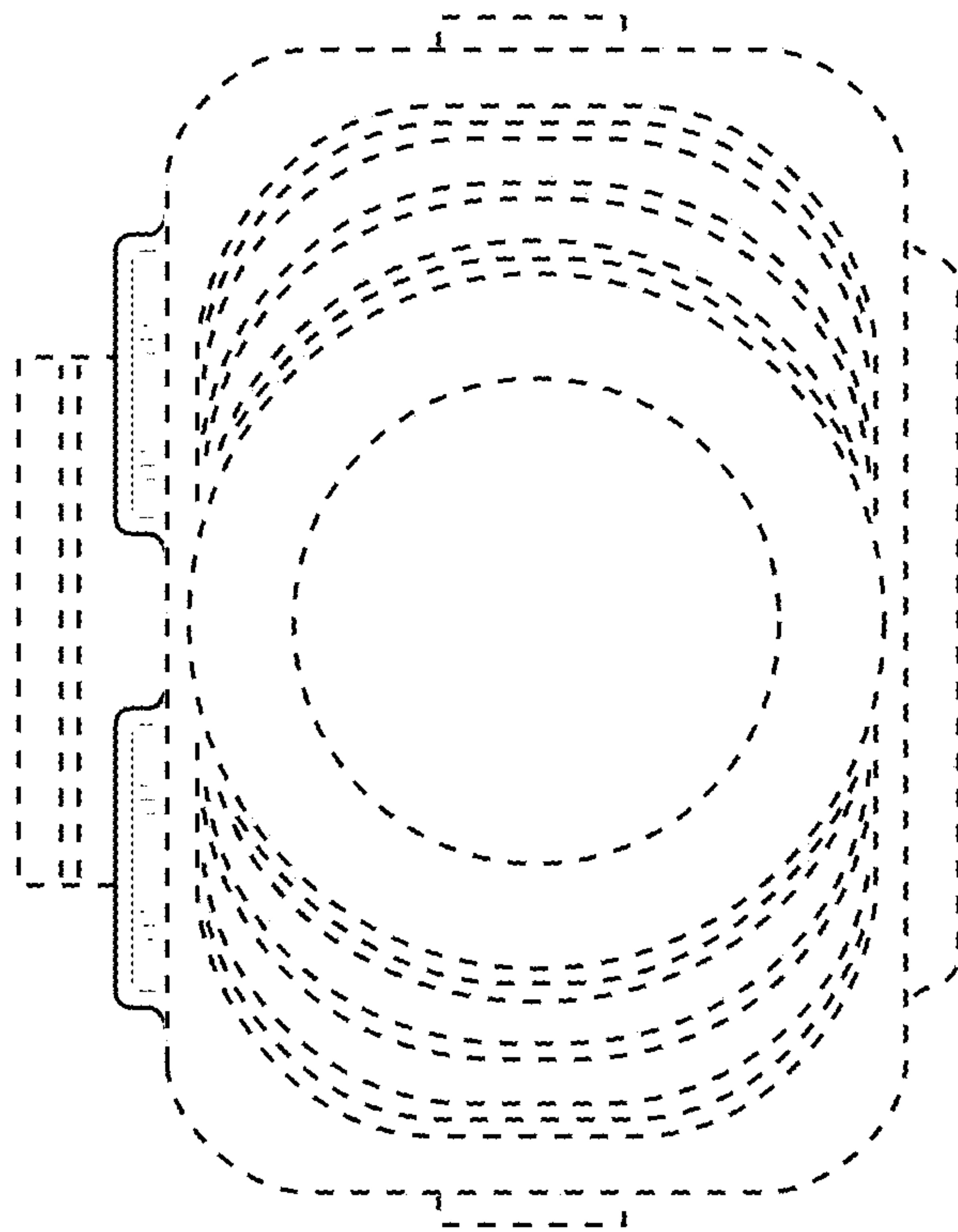


FIG. 5

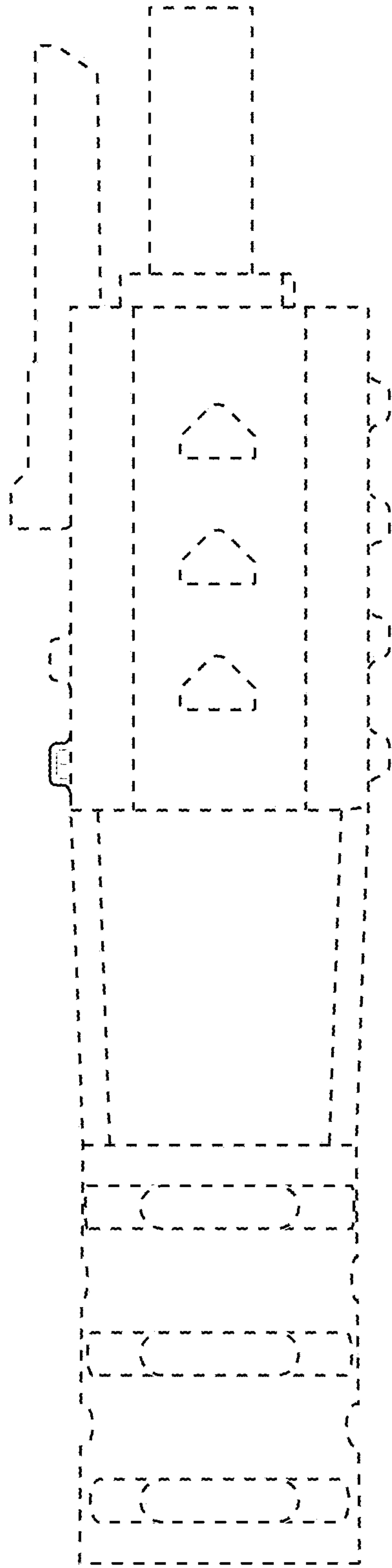


FIG. 6

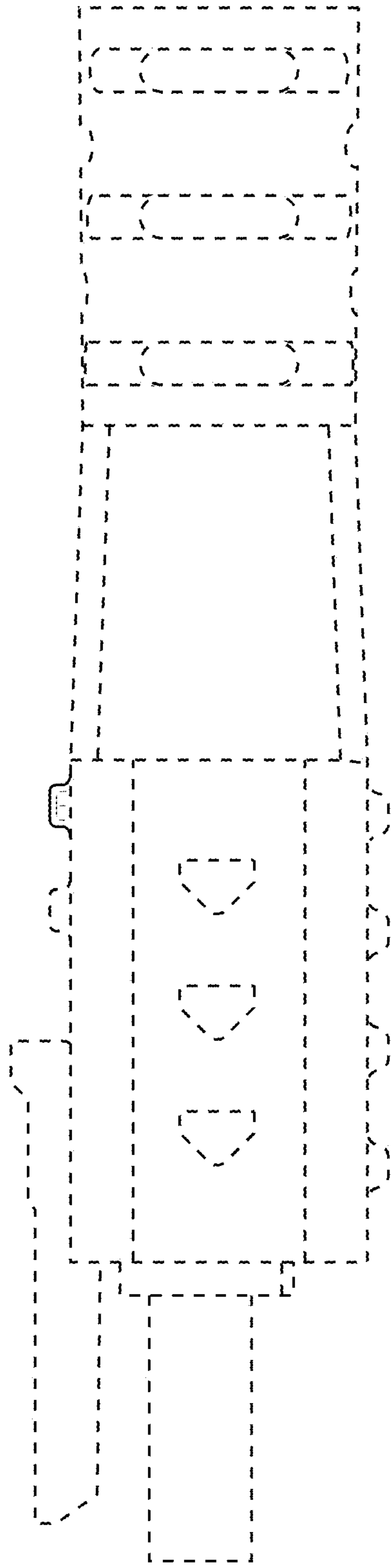


FIG. 7