



US00D958074S

(12) **United States Design Patent** (10) **Patent No.:** **US D958,074 S**
Lee (45) **Date of Patent:** **** Jul. 19, 2022**

(54) **METAL GUARD SET FOR EARPHONE CHARGING CASE**

(71) Applicant: **ELAGO COMPANY CO., LTD.**,
Goyang-si (KR)

(72) Inventor: **Chanwoo Lee**, Goyang-si (KR)

(73) Assignee: **ELAGO COMPANY CO., LTD.**,
Goyang-si (KR)

(**) Term: **15 Years**

(21) Appl. No.: **29/801,761**

(22) Filed: **Jul. 30, 2021**

(51) **LOC (13) Cl.** **13-02**

(52) **U.S. Cl.**
USPC **D13/118; D3/318**

(58) **Field of Classification Search**
USPC D13/103, 107–110, 118–119, 184, 199;
D14/251, 253, 432, 434, 223, 224;
D3/201, 205, 208, 218, 273, 274, 294,
D3/318, 319, 328
CPC H02J 7/025; H02J 7/005; H02J 7/0026;
H02J 7/0042; H02J 7/0044; H02J 7/0045;
H02J 7/0013; H02J 7/0003; H02J 50/00;
H02J 50/10; H02J 50/12; H02J 50/80;
A45C 2011/001; A45C 2011/002; A45C
(Continued)

(56) **References Cited**

U.S. PATENT DOCUMENTS

D638,407 S * 5/2011 Pesdirz D14/224
D657,564 S * 4/2012 Baker D3/328
D684,774 S * 6/2013 Levin D3/328
(Continued)

FOREIGN PATENT DOCUMENTS

CN 304829426 9/2018
CN 305092496 4/2019
(Continued)

OTHER PUBLICATIONS

“Elago Dust Guard Compatible with AirPods 3 Case, Dust-Proof Sticker Compatible with AirPods 3rd Generation Case 2021, Protection from Iron & Metal Shavings, Clean Your AirPods (1 Set, Dark Grey)”, Amazon.com, first available Oct. 25, 2021. Retrieved from the internet: <<https://www.amazon.com/elago-Compatible-Dust-Proof-Generation-Protection/dp/B09HTN9FP3/?th=1>> (Year: 2021).*

(Continued)

Primary Examiner — Rosemary K Tarcza
(74) *Attorney, Agent, or Firm* — Paratus Law Group, PLLC

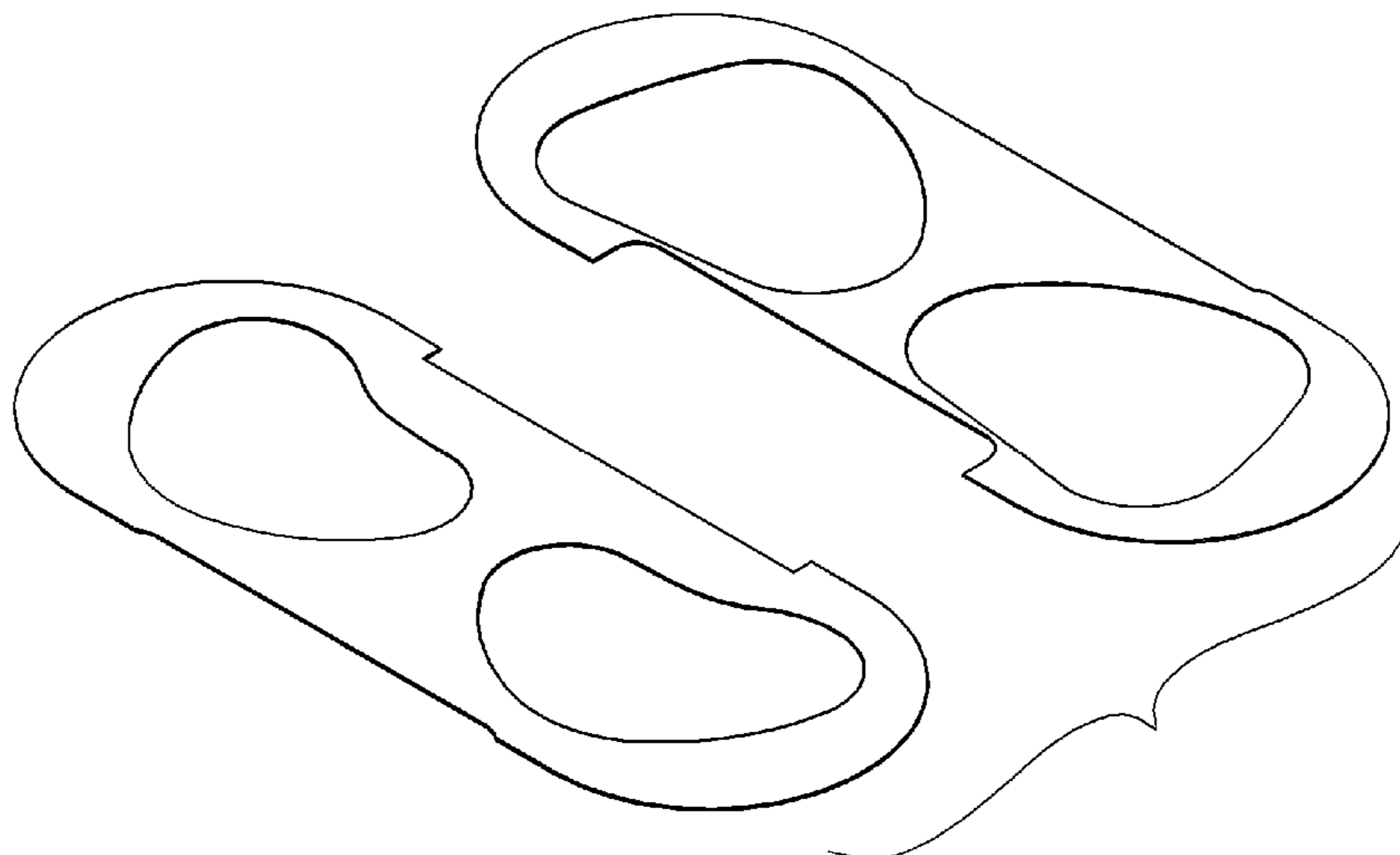
(57) **CLAIM**

The ornamental design for a metal guard set for earphone charging case, as shown and described.

DESCRIPTION

FIG. 1 is a front, top, and right side perspective view of a metal guard set for earphone charging case, showing my new design;
FIG. 2 is a front view thereof and a back view thereof is a mirror image;
FIG. 3 is a left side view thereof and a right view thereof is a mirror image;
FIG. 4 is a top view thereof;
FIG. 5 is a bottom view thereof;
FIG. 6 is a first reference view thereof, which shows the metal guard set for earphone charging case before being attached to an earphone charging case; and,
FIG. 7 is a second reference view thereof, which shows the metal guard set for earphone charging case being attached to the earphone charging case.
The broken lines shown in FIGS. 6 and 7 depict environments and form no part of the claimed design.

1 Claim, 5 Drawing Sheets



(58) **Field of Classification Search**
 CPC .. 2011/003; H04R 1/10; H04R 1/1066; H04R
 1/1075

See application file for complete search history.

2020/0304899 A1* 9/2020 Cramer H02J 7/0042
 2021/0085047 A1* 3/2021 Wright A45C 11/00
 2021/0160607 A1* 5/2021 Liu H04B 1/3888

(56) **References Cited**

U.S. PATENT DOCUMENTS

D693,580 S * 11/2013 Baker D3/328
 D806,388 S * 1/2018 Akana D3/294
 D810,679 S * 2/2018 Patton D13/108
 D821,970 S 7/2018 Loermann et al.
 D841,581 S * 2/2019 Bonahoom D13/108
 D844,969 S 4/2019 Xiao
 D849,401 S 5/2019 Akana et al.
 D865,663 S 11/2019 Yao
 D866,979 S * 11/2019 Lee D3/318
 D870,459 S 12/2019 Lee et al.
 D879,473 S * 3/2020 Lee D13/118
 D905,631 S * 12/2020 Nauroy D13/108
 D908,084 S * 1/2021 He D3/294
 D911,027 S * 2/2021 Liang D3/274
 D913,223 S * 3/2021 Li D3/294
 D918,138 S * 5/2021 Ma D3/294
 D933,004 S * 10/2021 Li D3/294
 D936,358 S * 11/2021 Lu D3/273
 D942,753 S * 2/2022 Zhou D3/274
 D946,517 S * 3/2022 Zhang D14/223
 D951,184 S * 5/2022 Li D3/294
 D953,303 * 5/2022 Chen D14/223

FOREIGN PATENT DOCUMENTS

CN 305103798 4/2019
 CN 305119729 4/2019
 CN 305144267 5/2019
 CN 305172424 5/2019
 CN 305221838 6/2019
 CN 305227304 6/2019
 CN 305455953 11/2019
 EM 003784313-0001 6/2017
 EM 006365730-0001 4/2019
 EM 006598868-0001 7/2019
 GB 9006563110-0001 6/2019
 GB 9008020077-0001 6/2020
 JP D1646556 11/2019

OTHER PUBLICATIONS

“[2 Pack] Lapogy Dust Guard Sticker for AirPods Pro Case, Easy to Install for Apple Airpods Pro Charging Case, Premium Metallic Protective Dust Guard Protector Cover, AirPods Pro Accessories, Sliver”, Amazon.com, first available Nov. 11, 2019. Retrieved from the internet: <<https://www.amazon.com/Lapogy-Charging-Protective-Protector-Accessories/dp/B0819N4PDQ/?th=1>> (Year: 2019).*

* cited by examiner

FIG. 1

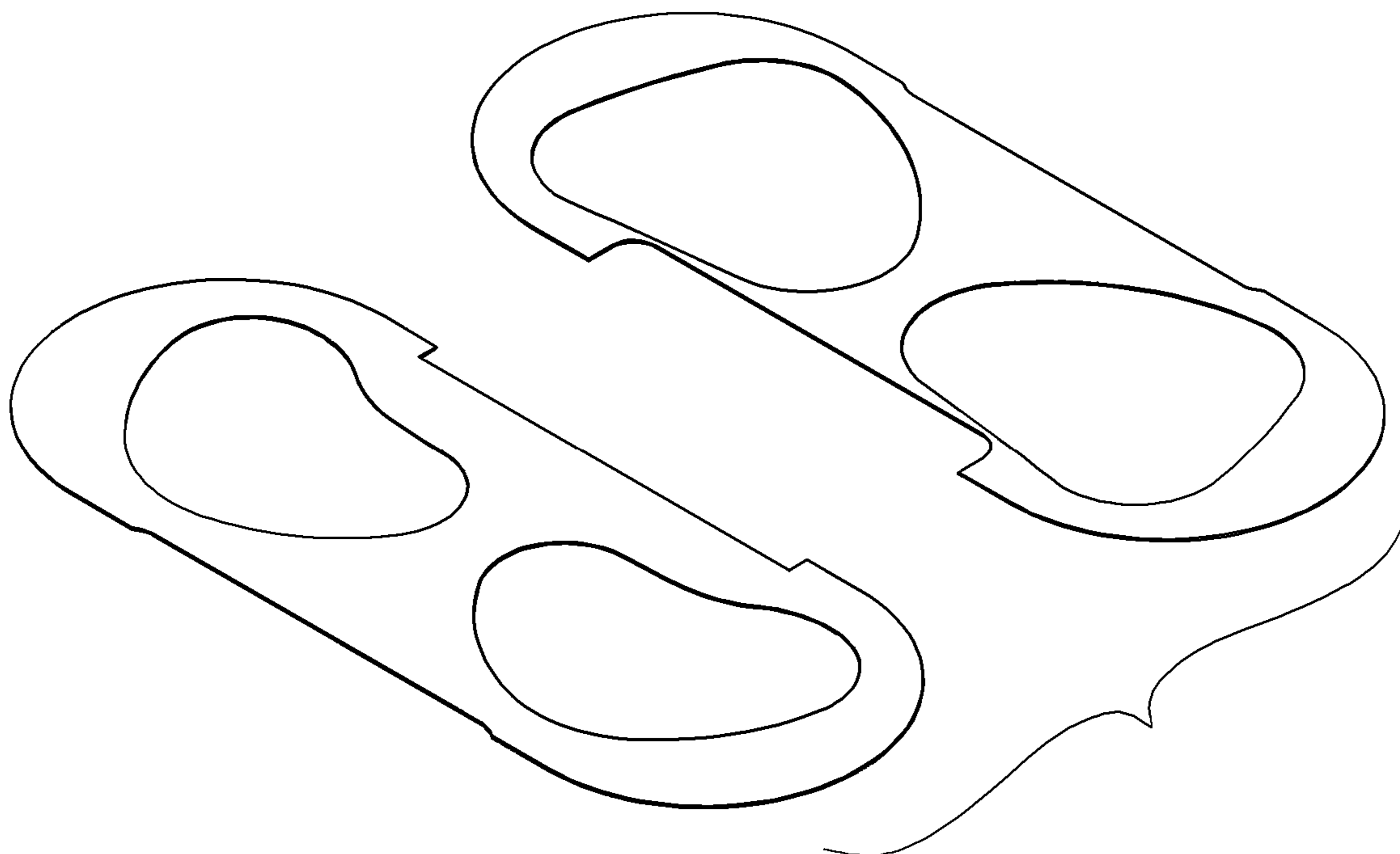


FIG. 2



FIG. 3

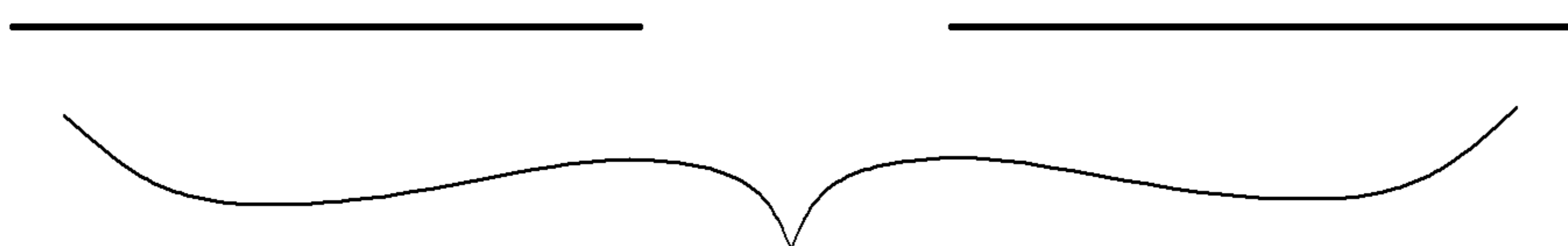


FIG. 4

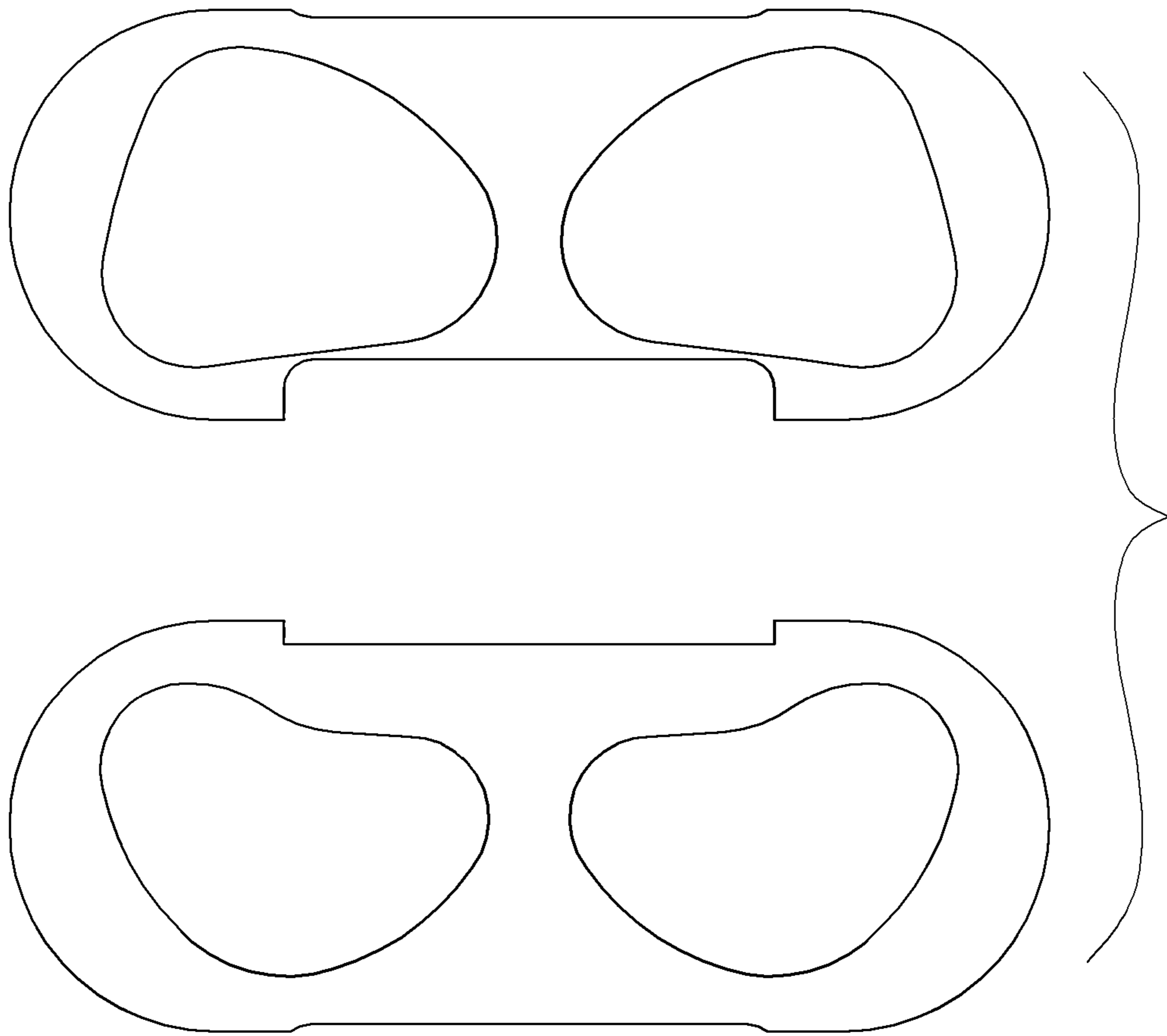


FIG. 5

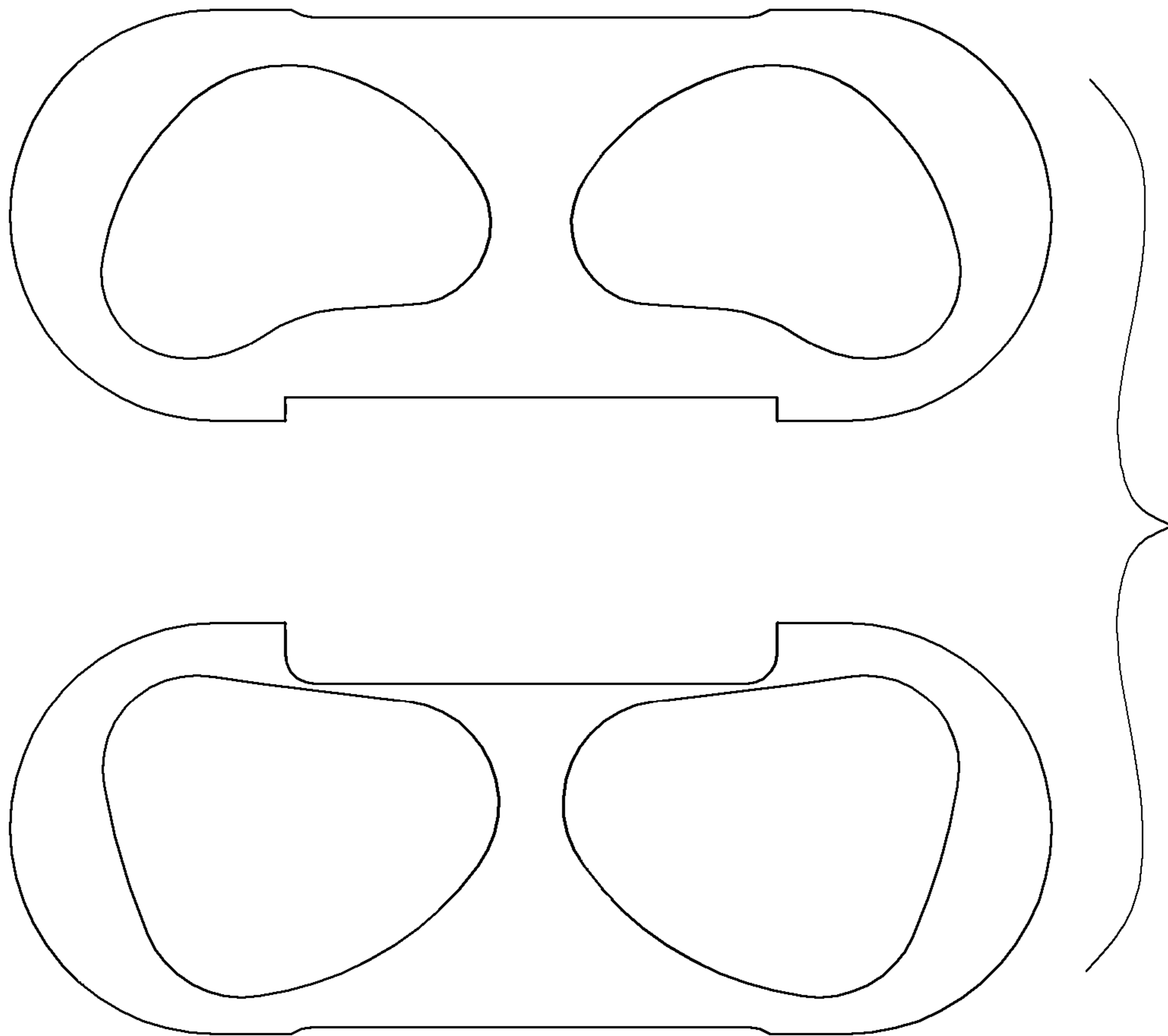


FIG. 6

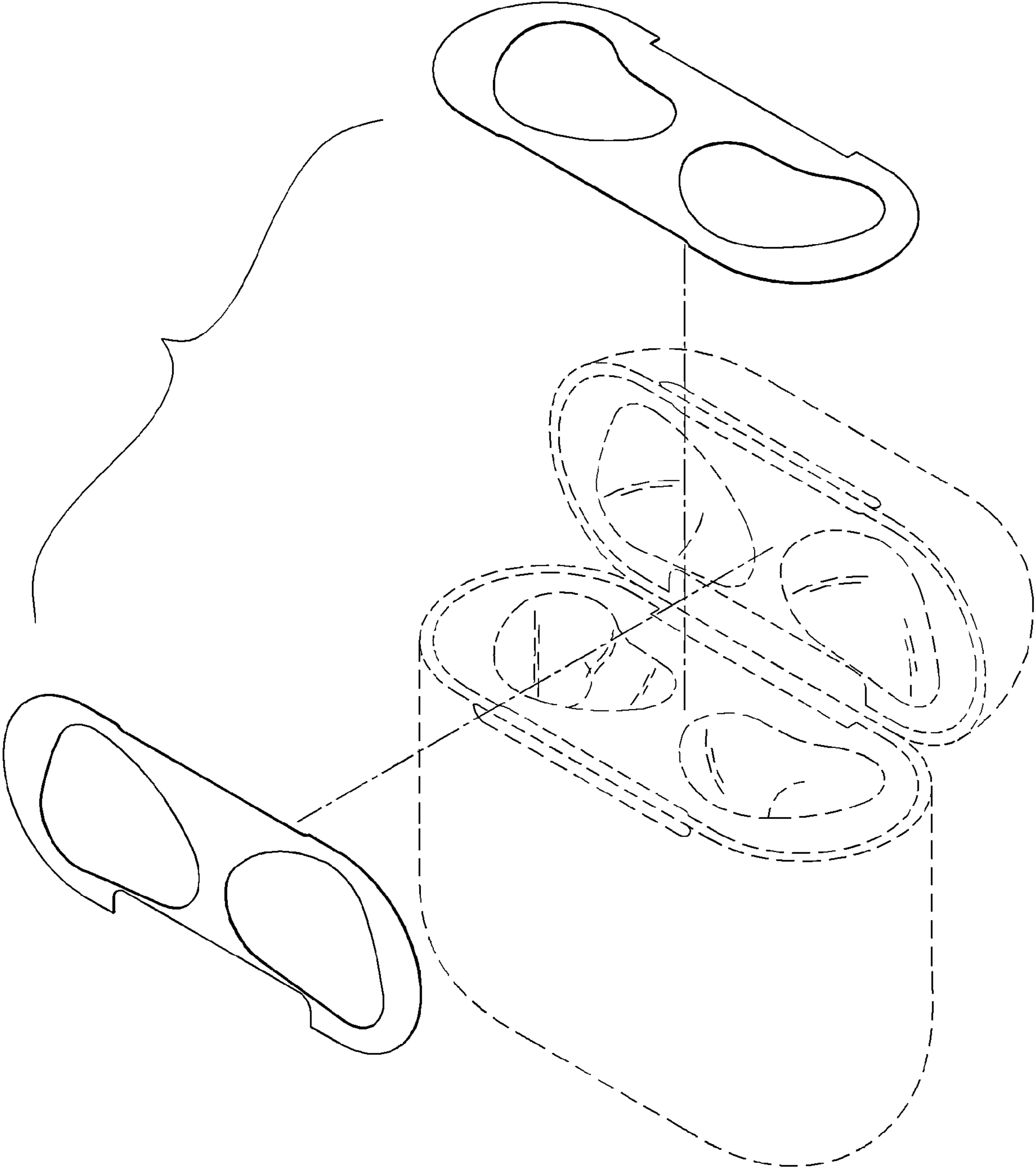


FIG. 7

