



US00D958073S

(12) **United States Design Patent** (10) **Patent No.:** **US D958,073 S**
Magyar (45) **Date of Patent:** **** Jul. 19, 2022**

(54) **CONVERTER**

(56) **References Cited**

(71) Applicant: **WITTENSTEIN SE**, Igersheim (DE)

U.S. PATENT DOCUMENTS

(72) Inventor: **Mátyás Magyar**, Bad Mergentheim (DE)

D425,017 S * 5/2000 Leung D13/110
D433,998 S * 11/2000 Ishitsuka D13/123
D448,344 S * 9/2001 Ishitsuka D14/299
D469,059 S * 1/2003 Ando D13/110
6,650,559 B1 * 11/2003 Okamoto H01L 25/162
363/141

(73) Assignee: **WITTENSTEIN SE**, Igersheim (DE)

D506,438 S * 6/2005 Vinciarelli D13/110
D582,846 S * 12/2008 Lett D13/110
D641,697 S * 7/2011 Charlson D13/110
8,687,357 B2 * 4/2014 Nagano H05K 7/20918
165/185

(**) Term: **15 Years**

(21) Appl. No.: **29/805,528**

D788,701 S * 6/2017 Goto D13/110
D804,417 S * 12/2017 Baacke D13/110
D922,320 S * 6/2021 Magyar D13/110
2001/0019495 A1 * 9/2001 Miettinen H02M 7/003
363/157

(22) Filed: **Aug. 27, 2021**

Related U.S. Application Data

(62) Division of application No. 29/711,423, filed on Oct. 31, 2019, now Pat. No. Des. 931,808.

* cited by examiner

(51) **LOC (13) Cl.** **13-02**

Primary Examiner — Derrick E Holland

(52) **U.S. Cl.** **D13/110**

(74) *Attorney, Agent, or Firm* — Bachman & LaPointe, P.C.

(58) **Field of Classification Search**

(57) **CLAIM**

USPC D13/110, 101, 107, 112, 118, 119, 123, D13/133, 147, 154, 156, 166, 184, 199; D14/432, 433

The ornamental design for a converter, as shown and described.

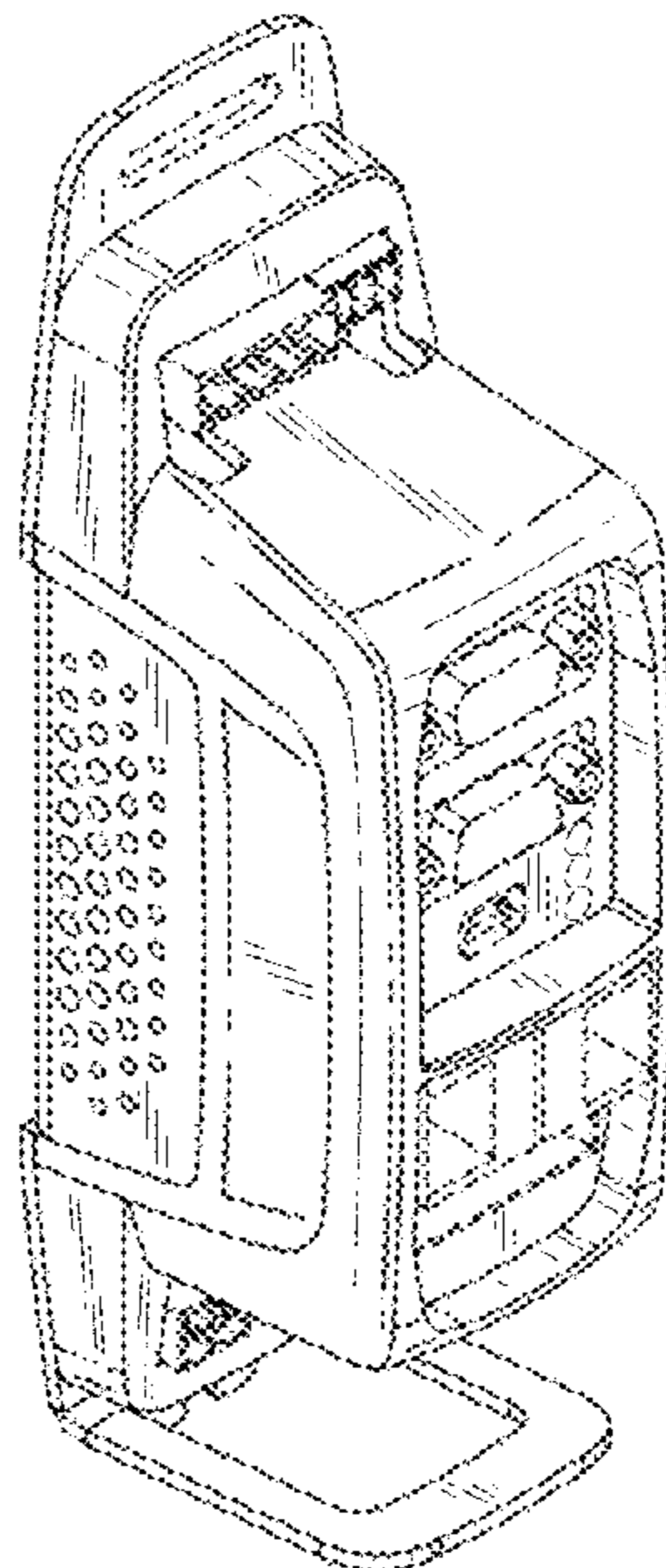
CPC H05K 5/00; H05K 5/02; H05K 5/0247; H05K 7/00; H05K 7/20; H05K 7/20136; H05K 7/20154; H05K 7/209; H02M 7/00; H02M 7/003; H02J 7/0042; H01L 23/3672; H01L 2224/48091; H01L 2224/48227; Y10T 307/367; H01R 13/52; H01R 13/56; H01R 13/60; H01R 13/641; H01R 13/5202; H01M 2/0207; H01M 2/0212; H01M 2/1022; H01M 2/1027; H01M 2/1077

DESCRIPTION

FIG. 1 is a perspective view of a converter showing my new design;

See application file for complete search history.

1 Claim, 2 Drawing Sheets



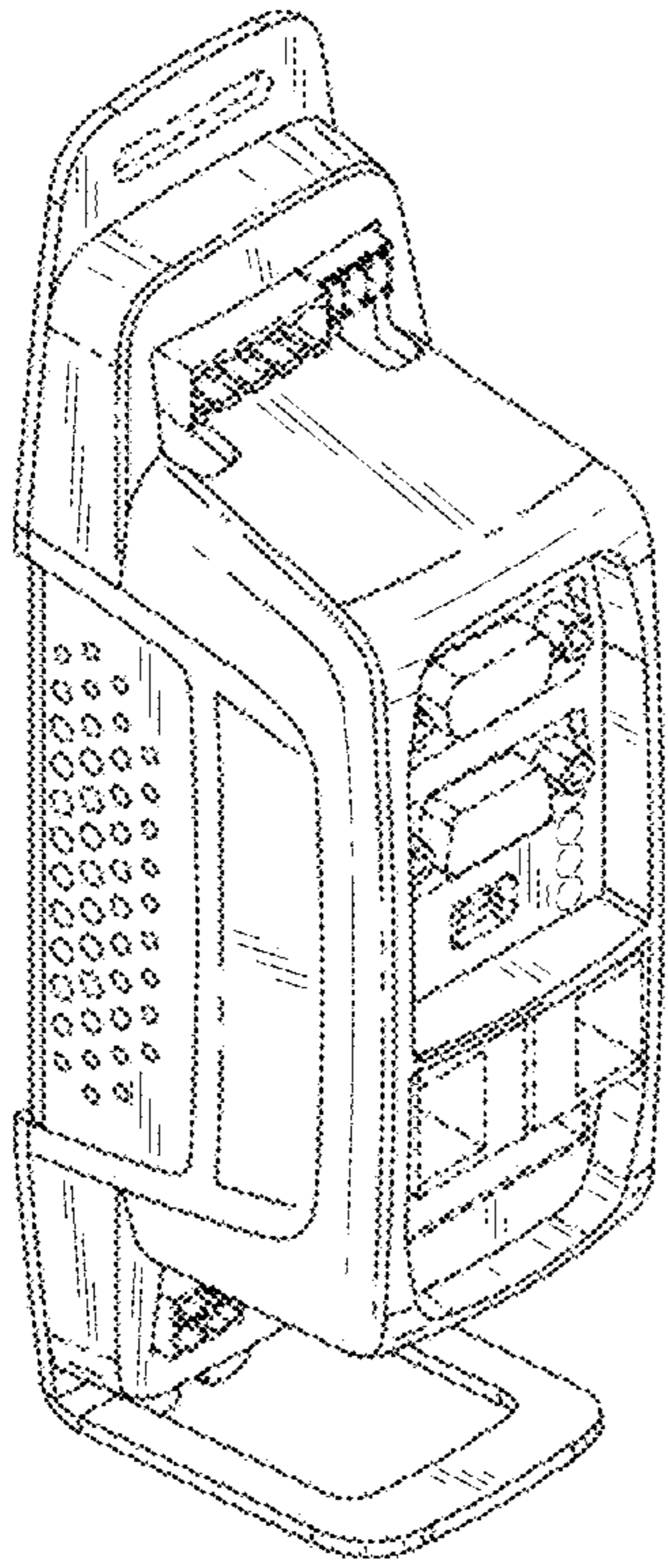


FIG. 1

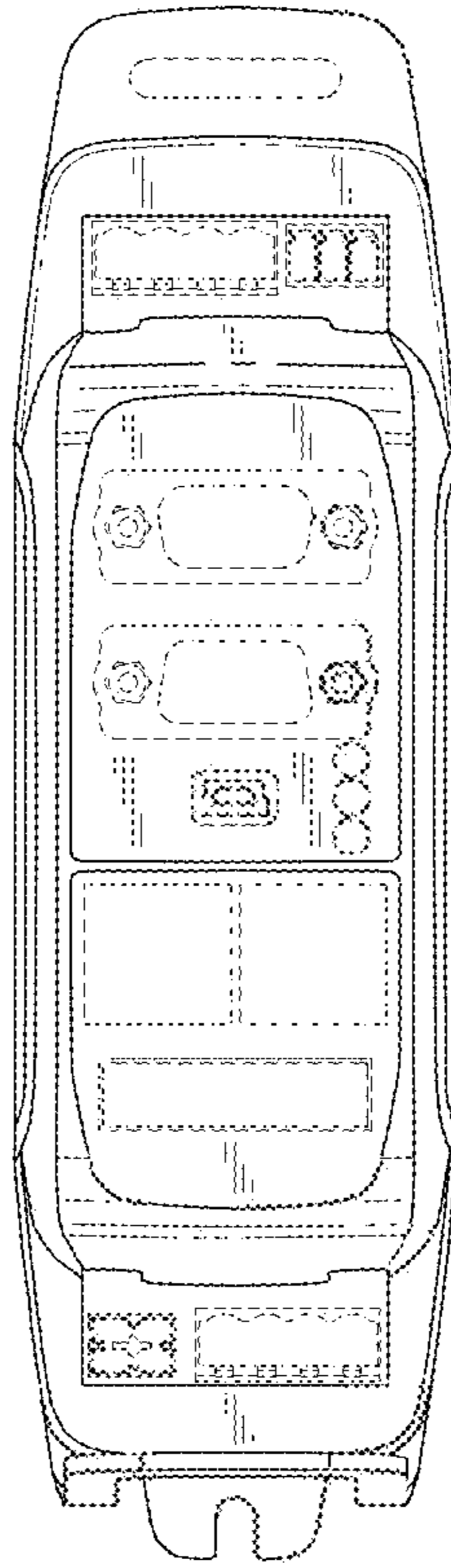


FIG. 2

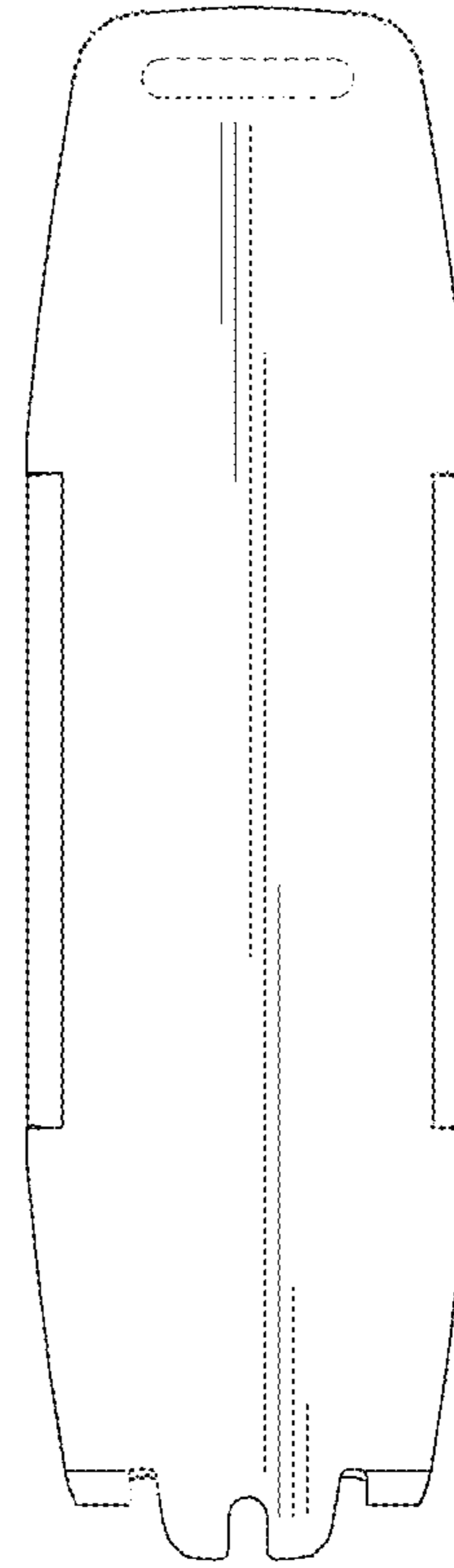


FIG. 3

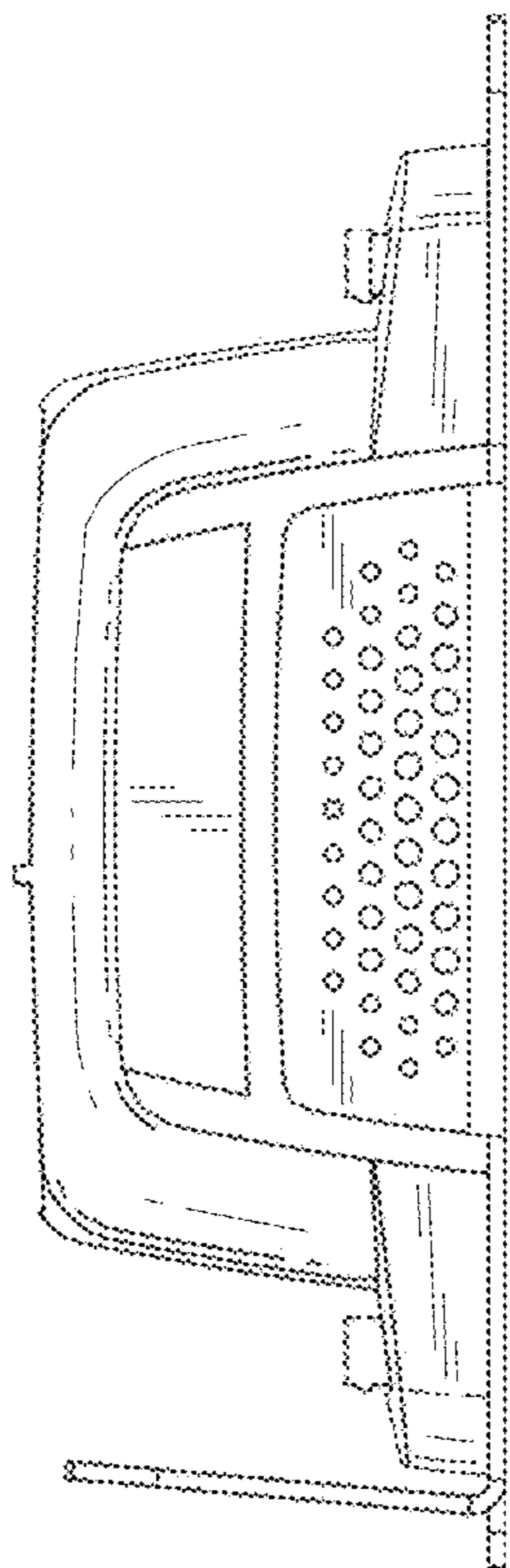


FIG. 4

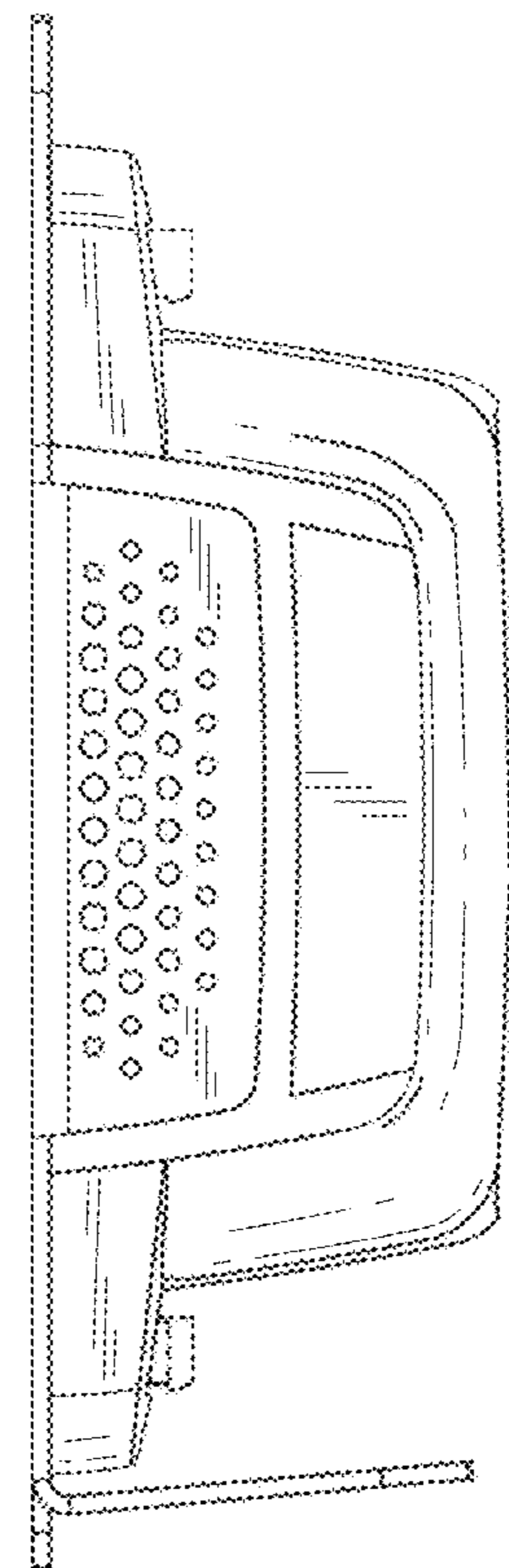


FIG. 5

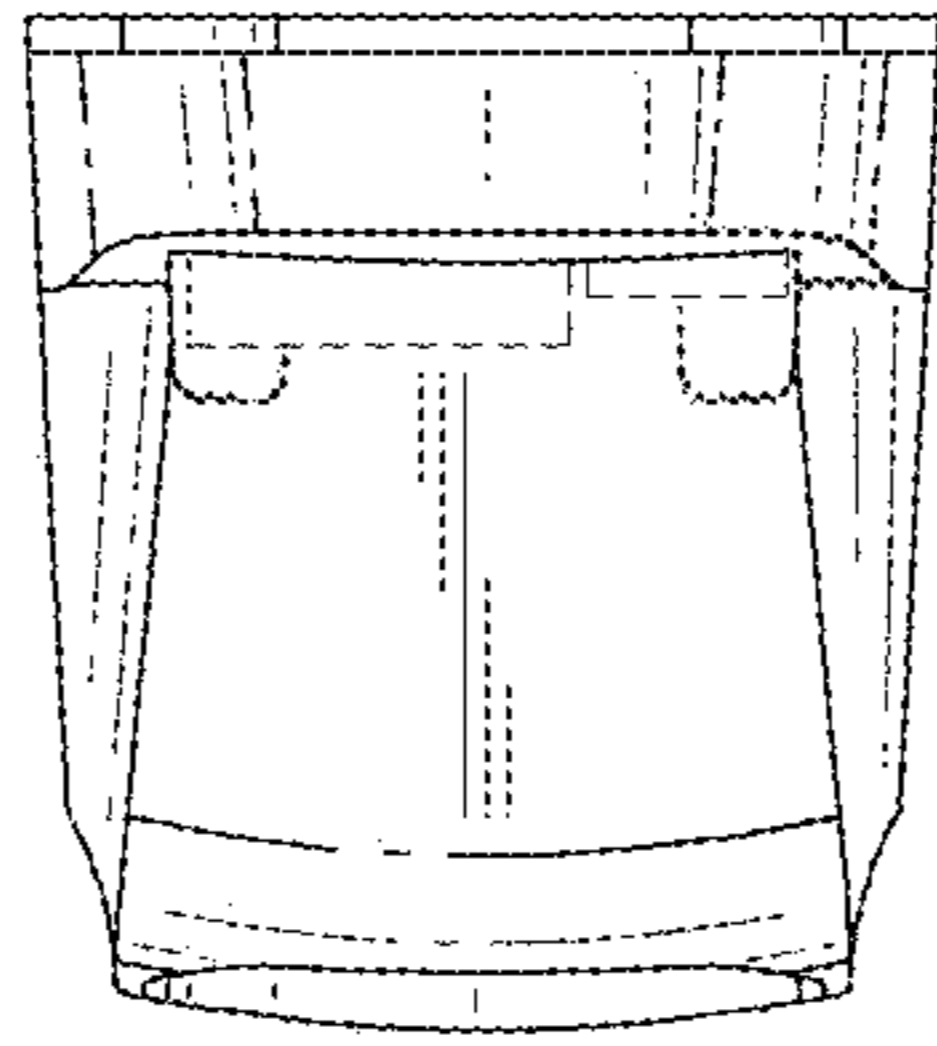


FIG. 6

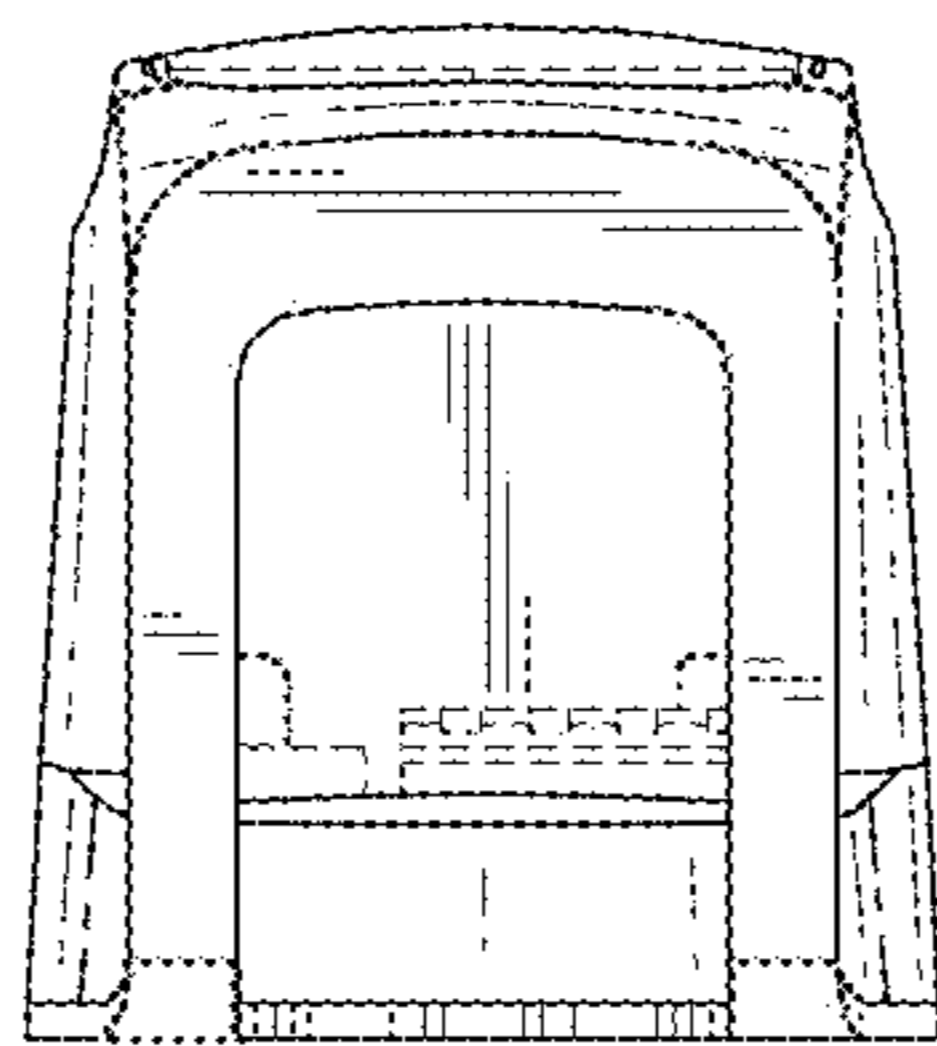


FIG. 7