



US00D958068S

(12) **United States Design Patent** (10) **Patent No.:** **US D958,068 S**
Paschke et al. (45) **Date of Patent:** **** Jul. 19, 2022**

(54) **CHARGER**
 (71) Applicant: **Fitbit, Inc.**, San Francisco, CA (US)
 (72) Inventors: **Brian Dennis Paschke**, San Francisco, CA (US); **Anthony Gerald Kern**, Pleasant Hill, CA (US); **Yidan Zhang**, Emeryville, CA (US); **Jonah Avram Becker**, San Francisco, CA (US)
 (73) Assignee: **Fitbit, Inc.**, San Francisco, CA (US)
 (**) Term: **15 Years**

D535,614 S 1/2007 Majanen et al.
 D558,193 S 12/2007 Ju
 7,311,526 B2 12/2007 Rohrbach et al.
 D563,867 S * 3/2008 Ahlgren D13/107
 D580,855 S 11/2008 Haspil et al.
 D621,347 S 8/2010 Aulwes et al.
 D630,582 S * 1/2011 Dai D13/146
 D635,874 S 4/2011 Tseng et al.
 D637,155 S 5/2011 Jeon et al.
 D665,501 S 8/2012 Shibata et al.
 D673,952 S 1/2013 Toda et al.
 D680,491 S 4/2013 Paschke et al.
 D690,137 S 9/2013 Kikkert et al.
 D709,447 S * 7/2014 Ibuki D13/108
 (Continued)

(21) Appl. No.: **29/748,423**
 (22) Filed: **Aug. 28, 2020**
 (51) **LOC (13) Cl.** **13-02**
 (52) **U.S. Cl.**
 USPC **D13/108**
 (58) **Field of Classification Search**
 USPC D13/107–110, 118–119, 184; D14/251, D14/253, 432, 434
 CPC Y02T 90/14; H02J 7/025; H02J 7/0042; H02J 7/0044; H02J 7/0045; H02J 7/0003; H01F 38/14; H01R 13/6675; H01M 10/44; H01M 10/46; H01M 10/425
 See application file for complete search history.

OTHER PUBLICATIONS

Fitbit Ace charging cable—<https://www.fitbit.com/shop/accessories/ace-charging-cable>. On sale 2018. Website accessed Mar. 27, 2019.
 (Continued)

Primary Examiner — Nathaniel D. Buckner
 (74) *Attorney, Agent, or Firm* — Leason Ellis LLP

(57) **CLAIM**

The ornamental design for a charger, as shown and described.

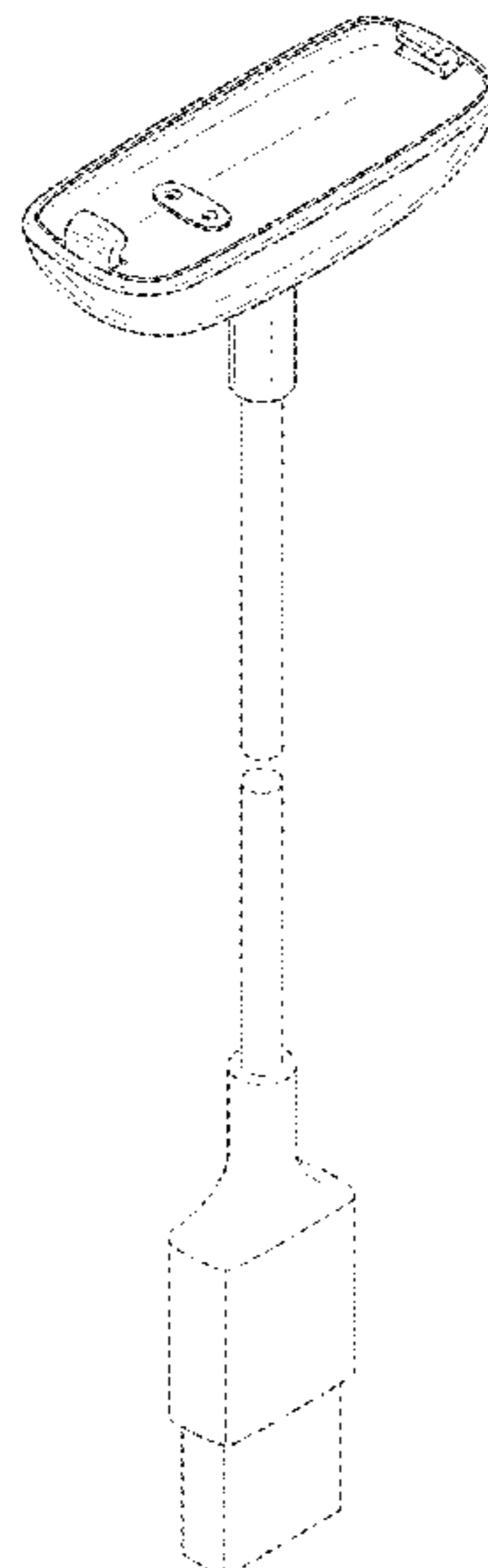
DESCRIPTION

FIG. 1 is a top isometric view of a charger showing our new design;
 FIG. 2 is a front side elevation view thereof;
 FIG. 3 is a back side elevation view;
 FIG. 4 is a left side elevation view;
 FIG. 5 is a right side elevation view thereof;
 FIG. 6 is a top side plan view thereof; and,
 FIG. 7 is a bottom side plan view thereof.
 The broken lines in the figures depict portions of the charger which form no part of the claimed design.

1 Claim, 5 Drawing Sheets

(56) **References Cited**
 U.S. PATENT DOCUMENTS

D297,827 S	9/1988	Lay	
D417,431 S	12/1999	Okura et al.	
D422,556 S	4/2000	Okura et al.	
D428,597 S	7/2000	Murata et al.	
D442,939 S	5/2001	Goldenburg	
D455,713 S	4/2002	Forakis	
D471,547 S *	3/2003	Ruohonen D14/253	
D477,823 S	7/2003	Lavello, Sr.	
D516,023 S	2/2006	Quinn	
D520,448 S	5/2006	Lodato et al.	



(56)

References Cited

U.S. PATENT DOCUMENTS

D723,459 S	3/2015	Dang et al.	
D725,285 S	3/2015	Wohlstadter et al.	
D727,877 S	4/2015	Seoc	
D730,285 S *	5/2015	Dorn	D13/108
D733,142 S	6/2015	Solomon et al.	
D740,262 S	10/2015	Hasegawa et al.	
D761,262 S	7/2016	Solomon et al.	
D766,236 S	9/2016	Solomon et al.	
D766,747 S	9/2016	Repp	
D770,416 S	11/2016	Tkachuk et al.	
D775,627 S	1/2017	Yang et al.	
D776,656 S	1/2017	Lagerstedt et al.	
D786,200 S	5/2017	Lagerstedt et al.	
D791,696 S	7/2017	Tinius	
D800,060 S	10/2017	Solland et al.	
D816,046 S	4/2018	Kiong et al.	
D829,652 S	10/2018	King et al.	
D832,306 S	10/2018	Liao	
D833,971 S	11/2018	Yun	
D854,018 S *	7/2019	Liao	D14/433
D855,565 S *	8/2019	Bonilla	D13/108
D875,674 S *	2/2020	Smigel	D13/108
D877,069 S *	3/2020	Kern	D13/108
D907,043 S *	1/2021	Turksu	D14/434
D911,942 S *	3/2021	Park	D13/108
D926,684 S *	8/2021	Cheung	D27/194
D935,398 S *	11/2021	Wang	D13/108
2016/0380446 A1	12/2016	Loewen	

OTHER PUBLICATIONS

Fitbit Ace 2 charging cable—<https://www.fitbit.com/shop/accessories/inspire-ace2-charging-cable>. On sale Mar. 2019. Website accessed Mar. 27, 2019.

Fitbit Alta charging cable—<https://www.fitbit.com/shop/accessories/alta-charging-cable>. On sale Feb. 2016. Website accessed Mar. 27, 2019.

Fitbit Alta HR charging cable—<https://www.fitbit.com/shop/accessories/altahr-charging-cable>. On sale Mar. 2017. Website accessed Mar. 27, 2019.

Fitbit Blaze charging cable—<https://www.fitbit.com/shop/accessories/blaze-charging-cable>. On sale Jan. 2016. Website accessed Mar. 27, 2019.

Fitbit Charge charging cable—<https://www.fitbit.com/shop/accessories/charge-charging-cable>. On sale Nov. 2014. Website accessed Mar. 27, 2019.

Fitbit Charge2 charging cable—<https://www.fitbit.com/shop/accessories/charge2-charging-cable>. On sale 2016. Website accessed Mar. 27, 2019.

Fitbit Charge3 charging cable—<https://www.fitbit.com/shop/accessories/charge3-charging-cable>. On sale 2018. Website accessed Mar. 27, 2019.

Fitbit ChargeHR charging cable—<https://www.fitbit.com/shop/accessories/chargehr-charging-cable>. On sale Jan. 2015. Website accessed Mar. 27, 2019.

Fitbit Flex charging cable—<https://www.fitbit.com/shop/accessories/flex-charging-cable>. On sale May 2013. Website accessed Mar. 27, 2019.

Fitbit Flex 2 charging cable—<https://www.fitbit.com/shop/accessories/flex2-charging-cable>. On sale Oct. 2016. Website accessed Mar. 27, 2019.

Fitbit Ionic charging cable—<https://www.fitbit.com/shop/accessories/ionic-charging-cable>. On sale Sep. 2017. Website accessed Mar. 27, 2019.

Fitbit One charging cable—<https://www.fitbit.com/shop/accessories/one-charging-cable>. On sale Sep. 2012. Website accessed Mar. 27, 2019.

Fitbit Surge charging cable—<https://www.fitbit.com/shop/accessories/surge-charging-cable>. On sale Oct. 2014. Website accessed Mar. 27, 2019.

Fitbit Versa charging cable—<https://www.fitbit.com/shop/accessories/versa-charging-cable>. On sale Apr. 2018. Website accessed Mar. 27, 2019.

Pending design U.S. Appl. No. 29/694,690, filed Jun. 12, 2019.

Pending design U.S. Appl. No. 29/663,874, filed Sep. 19, 2018.

Abandoned design U.S. Appl. No. 29/627,003, filed Nov. 21, 2017.

Abandoned design U.S. Appl. No. 29/630,648, filed Dec. 21, 2017.

Abandoned design U.S. Appl. No. 29/630,650, filed Dec. 21, 2017.

Pending design U.S. Appl. No. 29/683,052, filed Mar. 11, 2019.

* cited by examiner

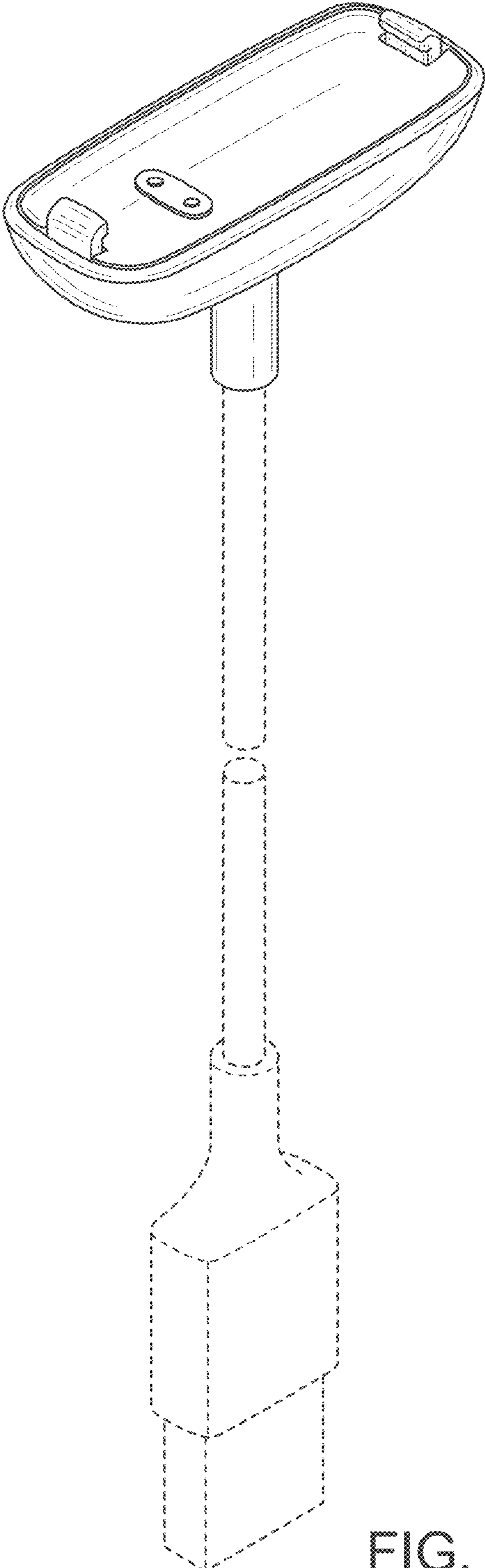


FIG. 1

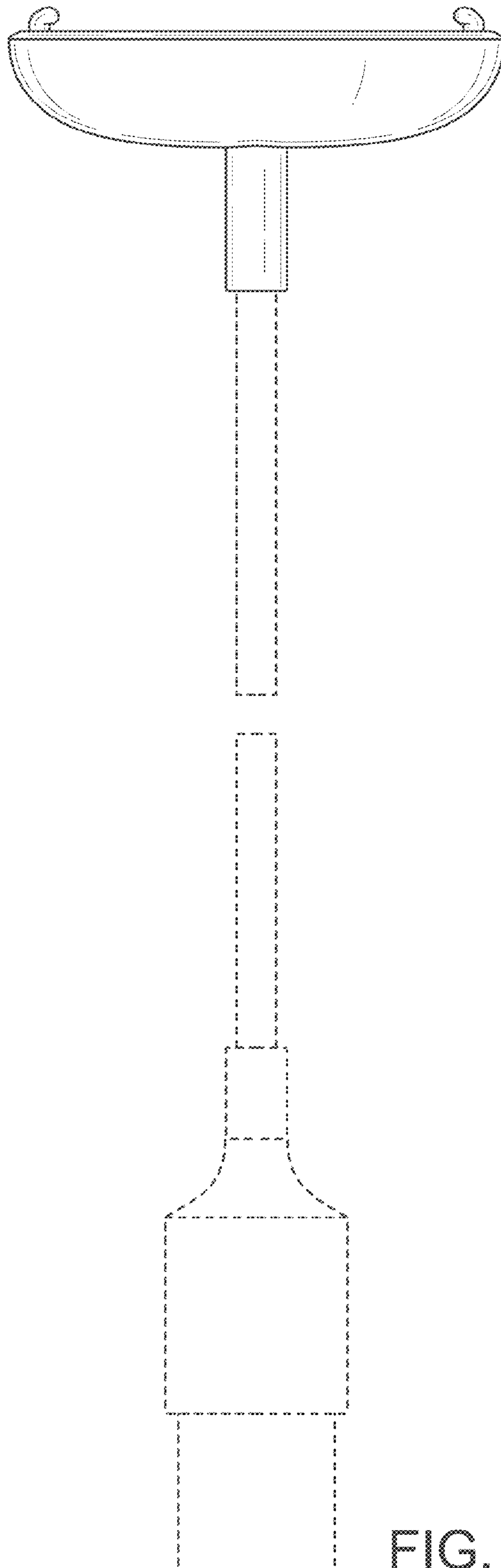


FIG. 2

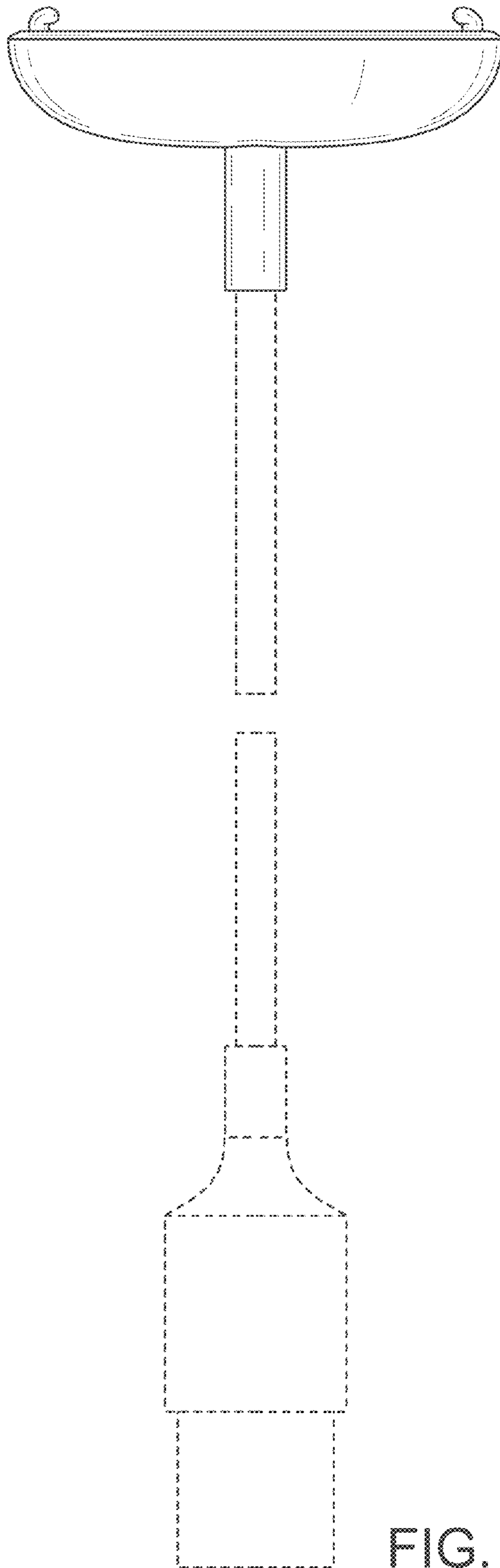


FIG. 3

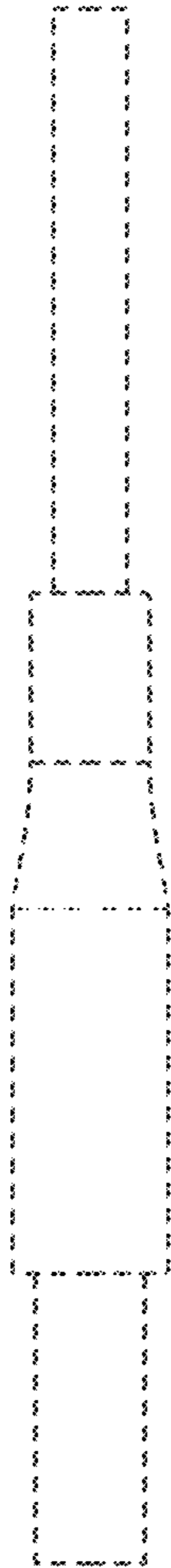
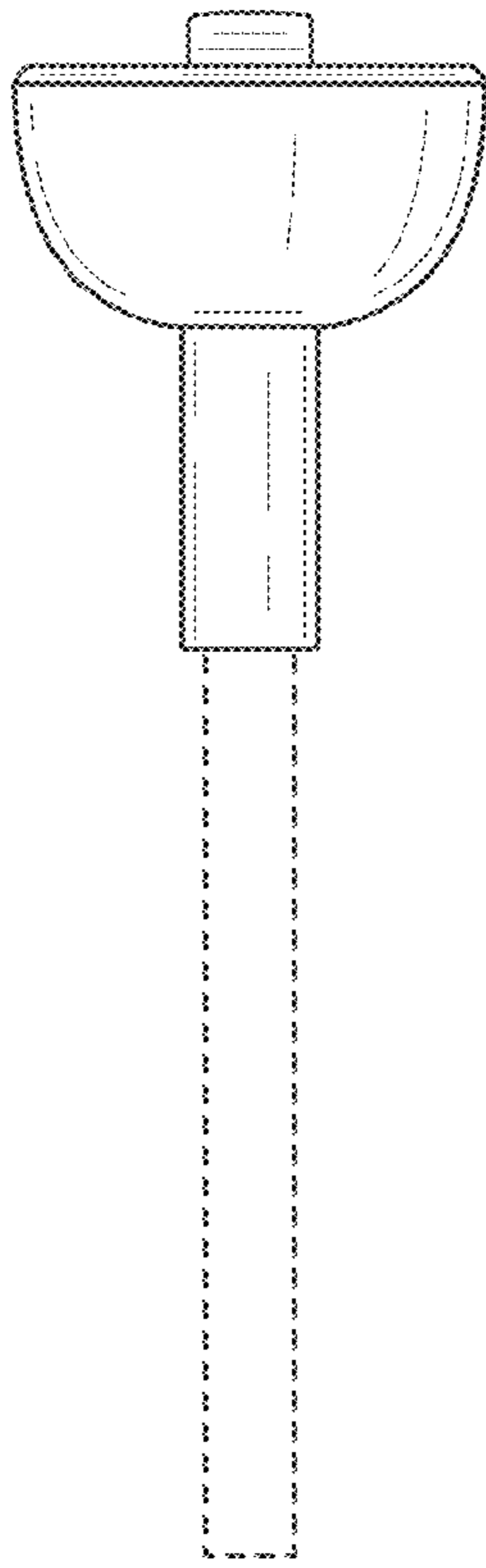


FIG. 4

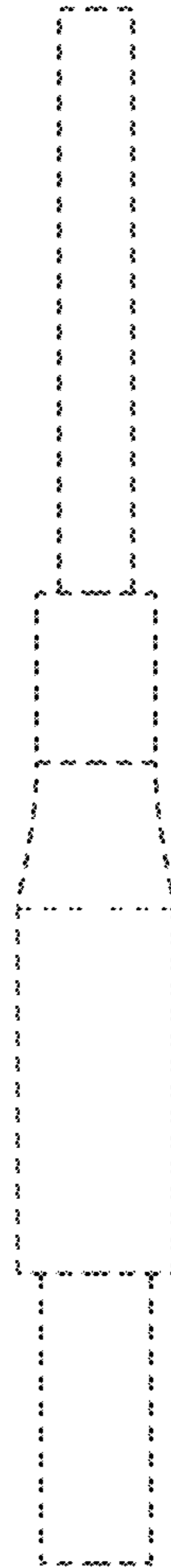
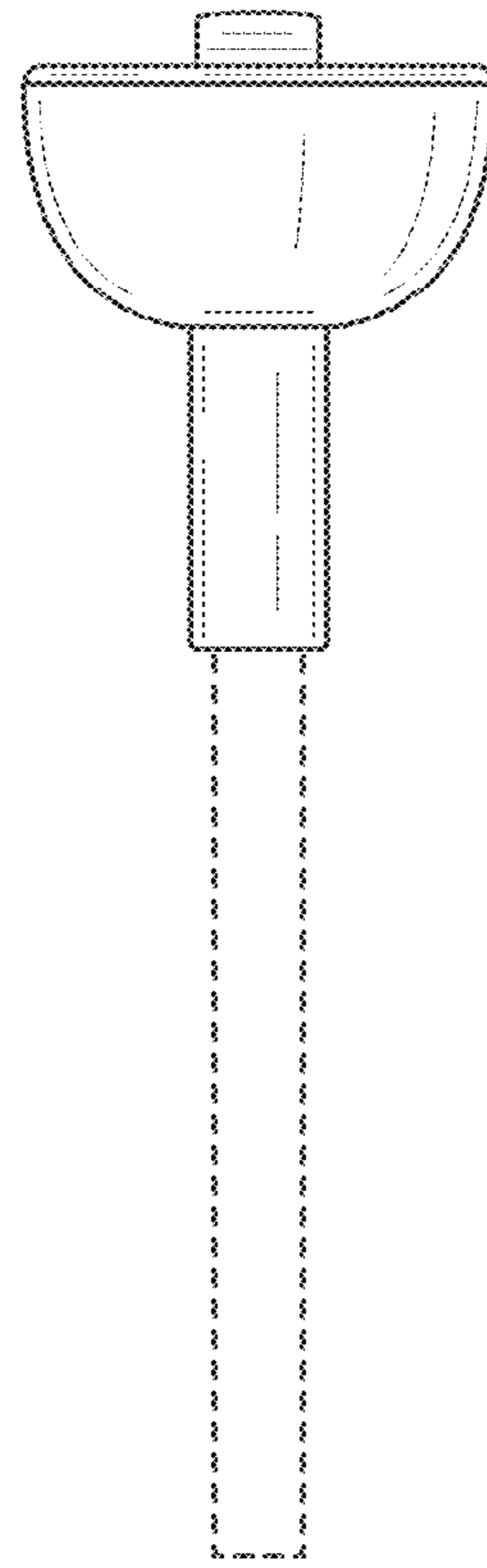


FIG. 5

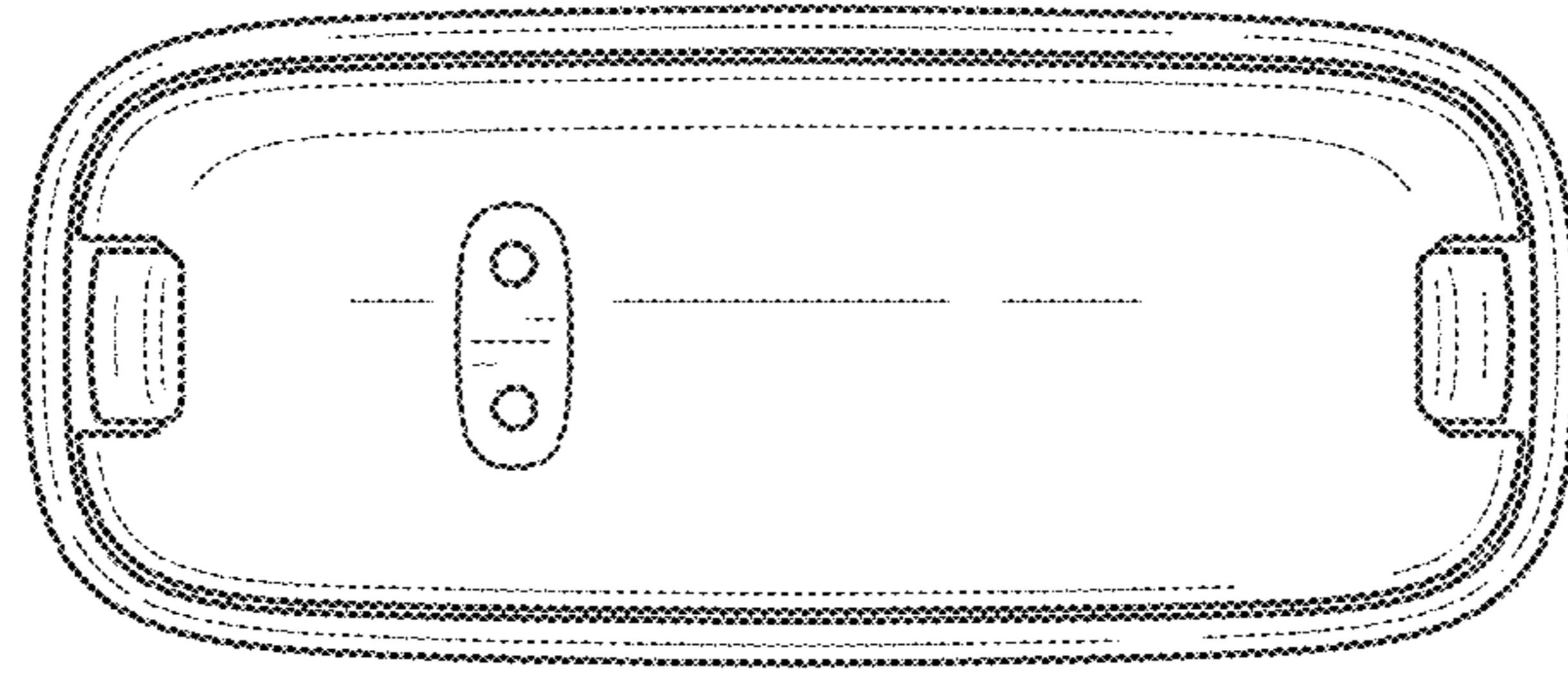


FIG. 6

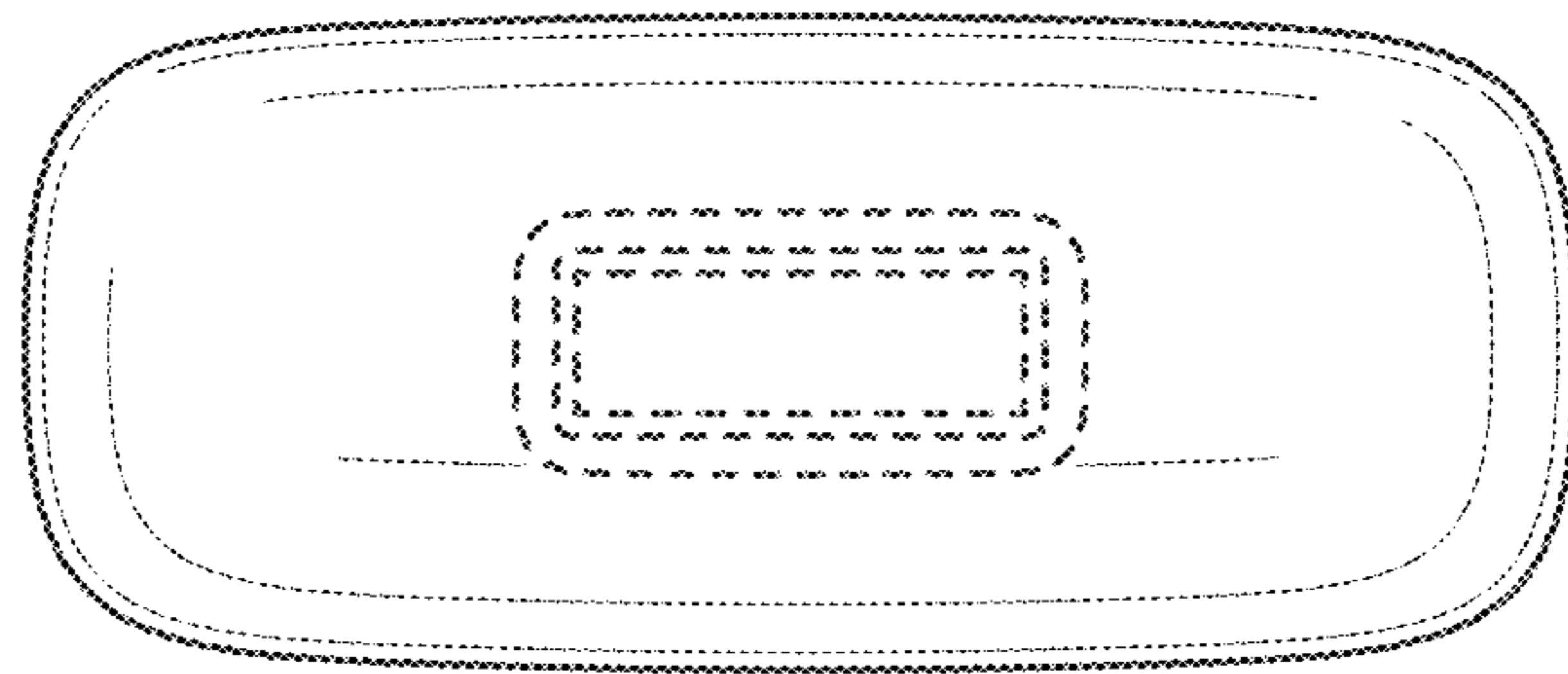


FIG. 7