



US00D958066S

(12) **United States Design Patent**  
**Zheng**

(10) **Patent No.:** **US D958,066 S**  
(45) **Date of Patent:** **\*\* Jul. 19, 2022**

- (54) **CHARGING BASE SET**
- (71) Applicant: **SHENZHEN QUANMINSHENG ELECTRONICS CO., LTD.**, Shenzhen (CN)
- (72) Inventor: **Fengmin Zheng**, Shenzhen (CN)
- (73) Assignee: **SHENZHEN QUANMINSHENG ELECTRONICS CO., LTD.**, Shenzhen (CN)
- (\*\*) Term: **15 Years**
- (21) Appl. No.: **29/775,932**
- (22) Filed: **Mar. 26, 2021**
- (51) **LOC (13) Cl.** ..... **13-02**
- (52) **U.S. Cl.**  
USPC ..... **D13/107**
- (58) **Field of Classification Search**  
USPC ..... D13/107, 108, 110, 199  
CPC ..... Y02E 60/12; H02J 7/025; H02J 7/0042; H02J 7/0044; H02J 7/0045; H02J 7/0003; H02J 2001/008; H02J 3/32; H02J 3/008; H02J 7/0027; H02J 7/0013; H02J 7/0054; H02J 7/00; H01F 38/14; H01R 13/6675; H01M 2/1022; H01M 2/1055; H01M 10/44; H01M 10/46; H01M 10/425; B60L 11/182; B60L 11/1809; B60L 11/1861; B60R 16/03  
See application file for complete search history.

- (56) **References Cited**  
U.S. PATENT DOCUMENTS
- |              |         |                  |         |
|--------------|---------|------------------|---------|
| D645,818 S * | 9/2011  | Guccione .....   | D13/108 |
| D656,096 S * | 3/2012  | Sasada .....     | D13/108 |
| D718,234 S * | 11/2014 | Rautiainen ..... | D13/108 |
| D718,236 S * | 11/2014 | Murray .....     | D13/108 |
| D734,254 S * | 7/2015  | Chen .....       | D13/108 |
| D786,193 S * | 5/2017  | Akana .....      | D13/108 |

- |                   |         |                |             |
|-------------------|---------|----------------|-------------|
| D806,020 S *      | 12/2017 | Lu .....       | D13/107     |
| D855,567 S *      | 8/2019  | Cai .....      | D13/108     |
| D863,219 S *      | 10/2019 | Chen .....     |             |
| D869,391 S *      | 12/2019 | Roberts .....  | D13/108     |
| D896,172 S *      | 9/2020  | Ye .....       |             |
| D900,027 S *      | 10/2020 | Reilly .....   | D13/108     |
| D908,620 S *      | 1/2021  | Akana .....    | D13/108     |
| D913,224 S *      | 3/2021  | Kim .....      | D13/108     |
| D924,796 S *      | 7/2021  | Ye .....       | D13/108     |
| D935,402 S *      | 11/2021 | Qiu .....      | D13/108     |
| D935,448 S *      | 11/2021 | Lee .....      | D14/253     |
| D936,576 S *      | 11/2021 | Joung .....    | D13/108     |
| D937,206 S *      | 11/2021 | Romano .....   | D13/108     |
| D937,764 S *      | 12/2021 | Akana .....    | D13/107     |
| D937,765 S *      | 12/2021 | Akana .....    | D13/107     |
| D938,353 S *      | 12/2021 | Gan .....      | D13/108     |
| D939,437 S *      | 12/2021 | Liao .....     | D13/108     |
| D939,438 S *      | 12/2021 | Hu .....       | D13/108     |
| D939,439 S *      | 12/2021 | Wersland ..... | D13/108     |
| 2017/0264118 A1 * | 9/2017  | Miller .....   | H02J 7/0049 |
| 2020/0083726 A1 * | 3/2020  | Kim .....      | H02J 7/0044 |

\* cited by examiner

Primary Examiner — Christy Nemeth

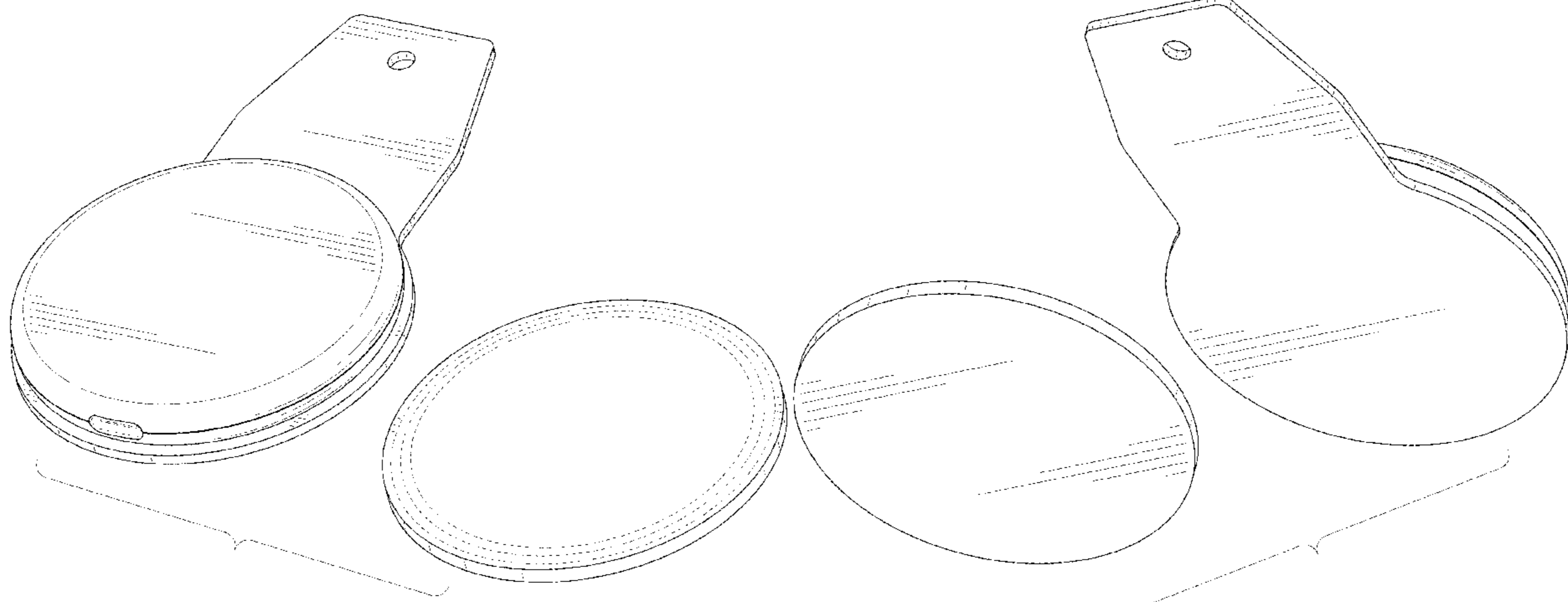
(57) **CLAIM**

The ornamental design for a charging base set, as shown and described.

**DESCRIPTION**

FIG. 1 is an exploded front perspective view of a charging base set showing my new design;  
 FIG. 2 is an exploded rear perspective view thereof;  
 FIG. 3 is an exploded front elevational view thereof;  
 FIG. 4 is an exploded rear elevational view thereof;  
 FIG. 5 is an exploded left side elevational view thereof;  
 FIG. 6 is an exploded right side elevational view thereof;  
 FIG. 7 is an exploded top plan view thereof; and,  
 FIG. 8 is an exploded bottom plan view thereof.  
 The broken lines in the drawings depict portions of the charging base set that form no part of the claimed design.

**1 Claim, 8 Drawing Sheets**



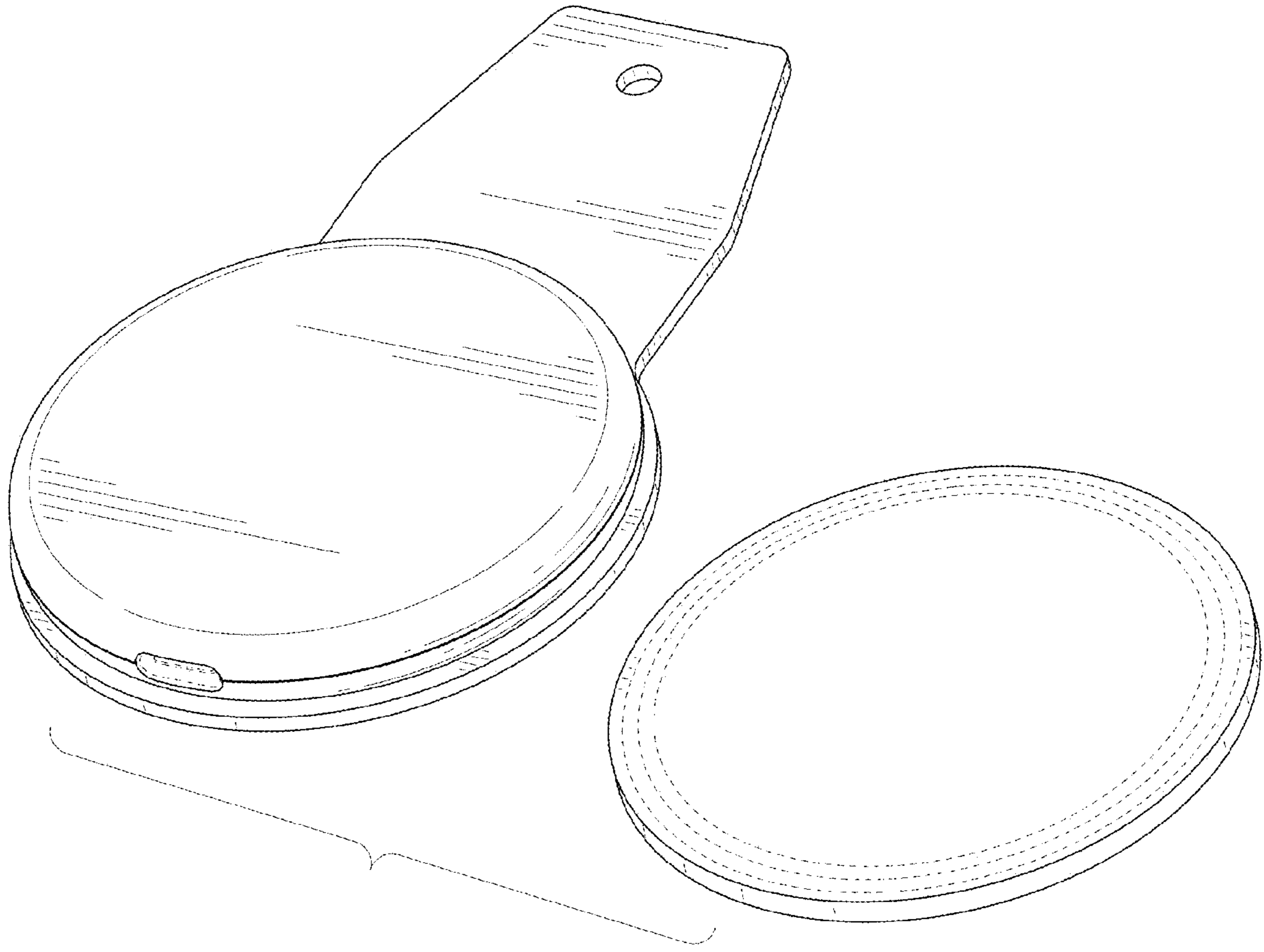


FIG. 1

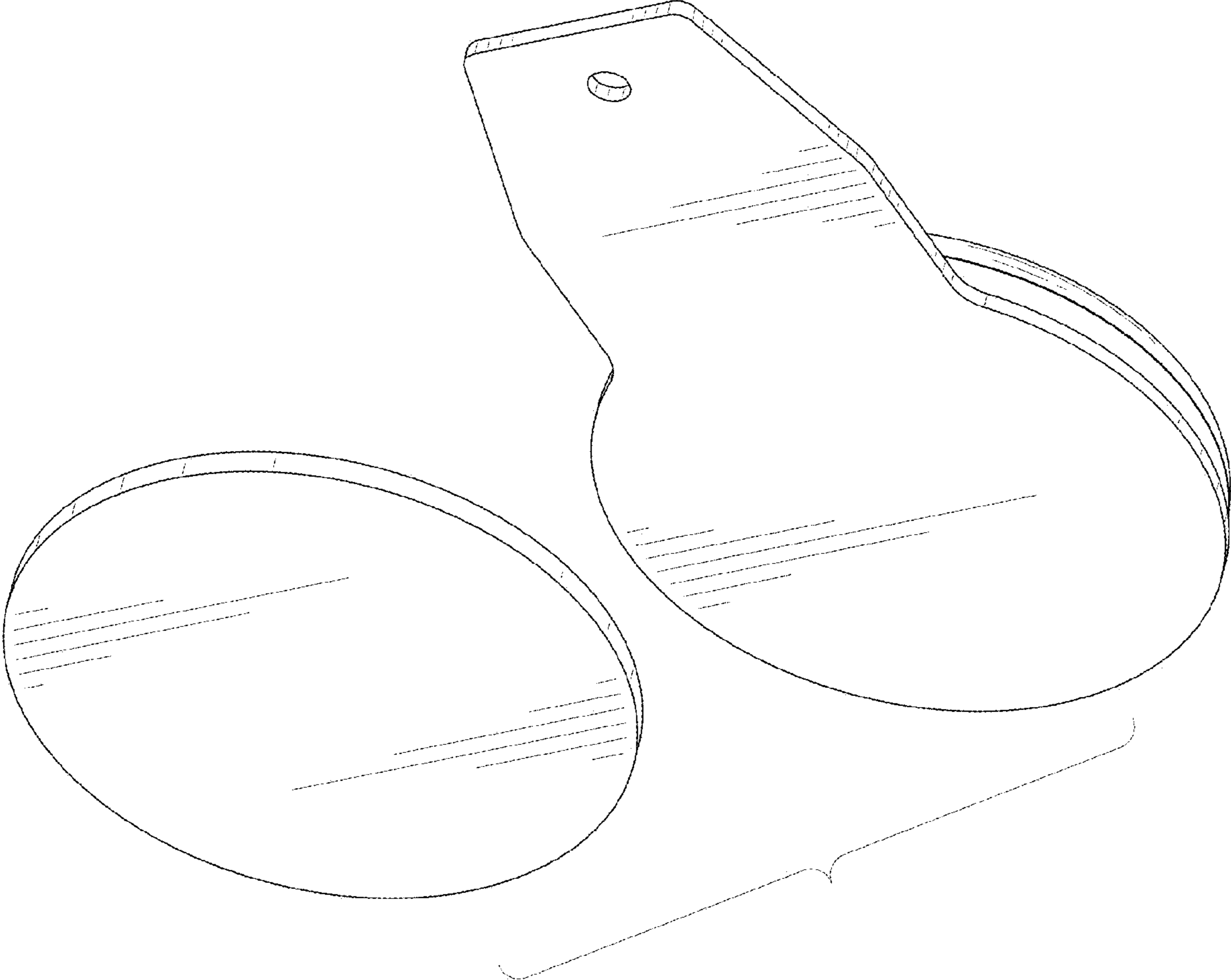


FIG. 2

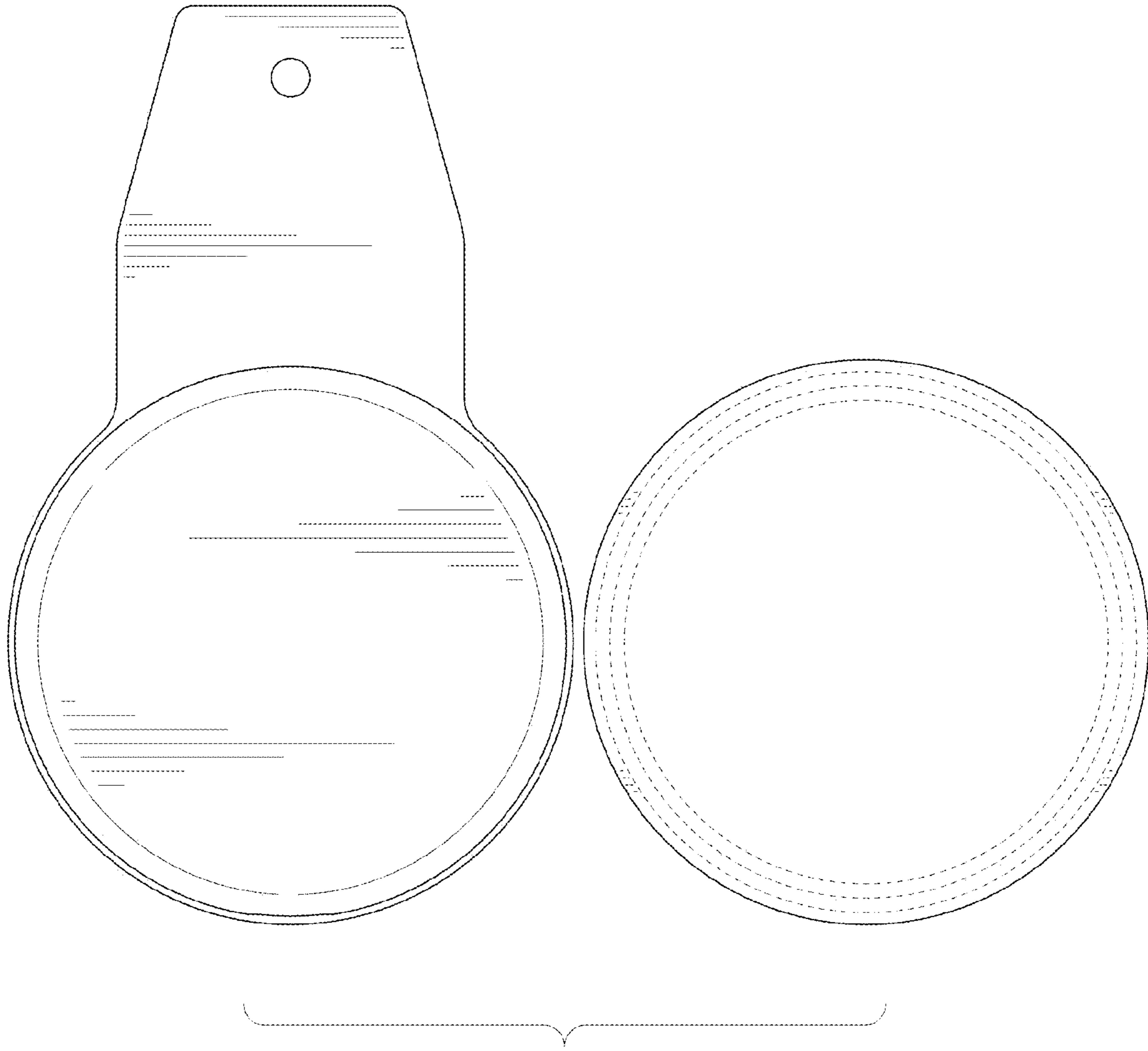


FIG. 3

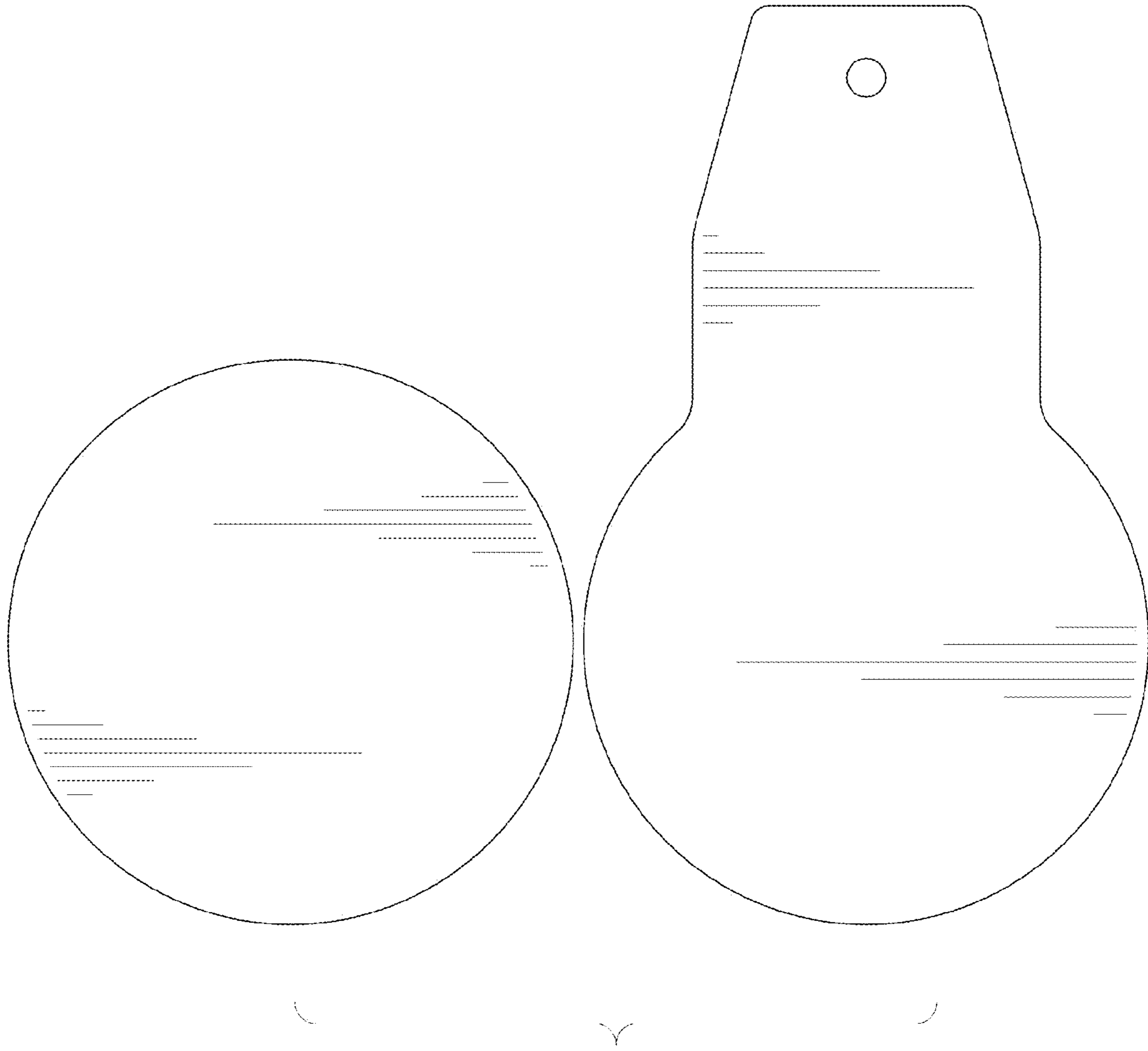


FIG. 4

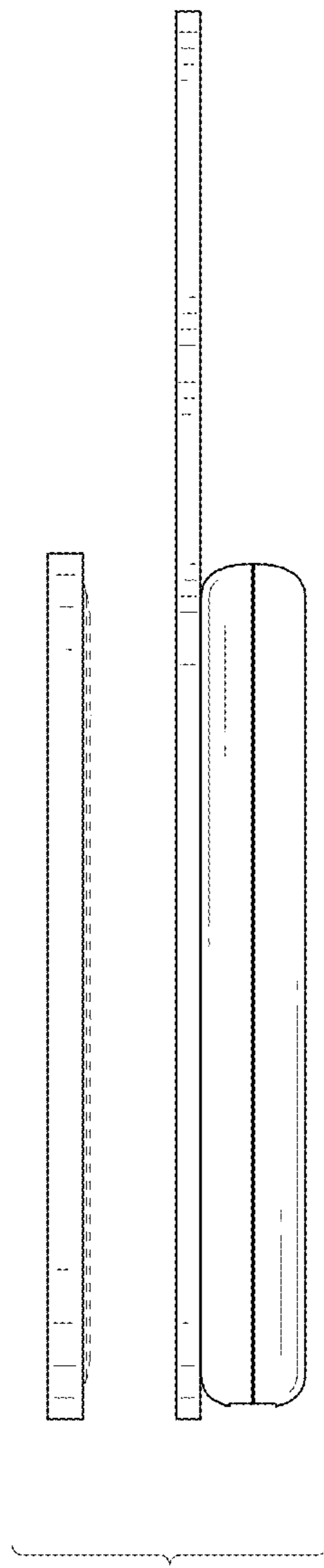


FIG. 5

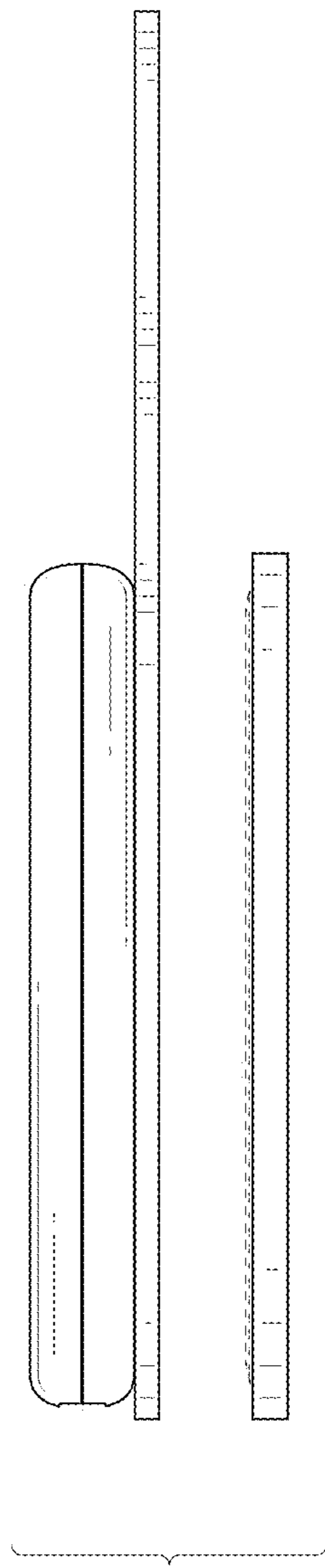


FIG. 6

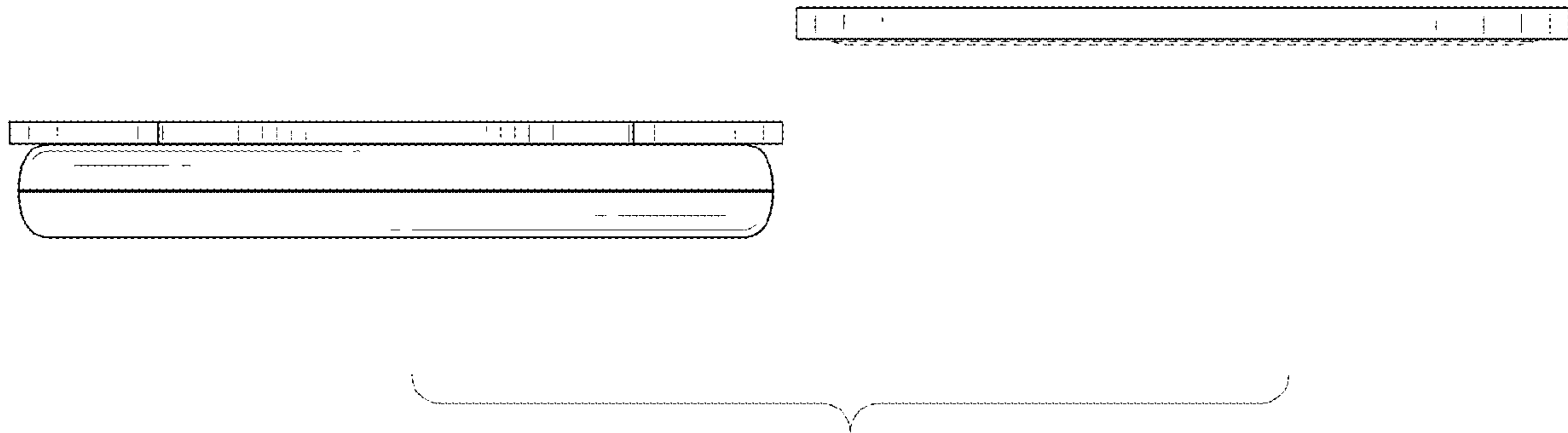


FIG. 7



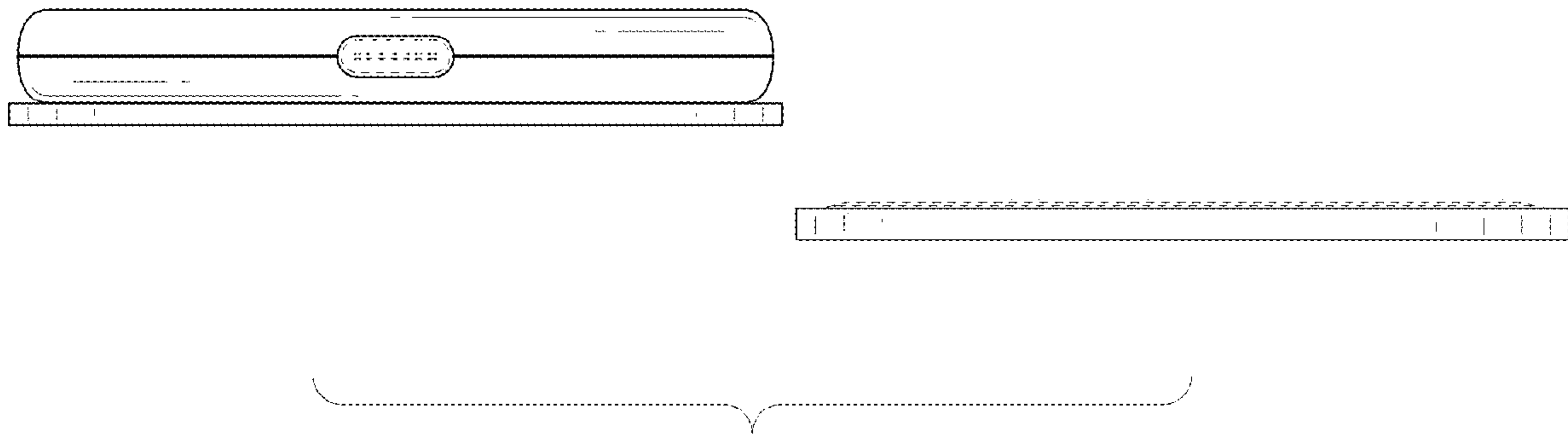


FIG. 8