

US00D958065S

(12) **United States Design Patent** (10) **Patent No.:** **US D958,065 S**  
**Kaneda** (45) **Date of Patent:** **\*\* Jul. 19, 2022**

(54) **CHARGER**

(71) Applicants: **JINS HOLDINGS Inc.**, Maebashi (JP);  
**TSUBOTA LABORATORY, Inc.**,  
Tokyo (JP)

(72) Inventor: **Daisuke Kaneda**, Maebashi (JP)

(73) Assignees: **Jins Holdings Inc.**, Maebashi (JP);  
**Tsubota Laboratory, Inc.**, Tokyo (JP)

(\*\*) Term: **15 Years**

(21) Appl. No.: **29/761,624**

(22) Filed: **Dec. 10, 2020**

(30) **Foreign Application Priority Data**

Jun. 15, 2020 (JP) ..... 2020-011843 D

(51) **LOC (13) Cl.** ..... **13-02**

(52) **U.S. Cl.**  
USPC ..... **D13/107**

(58) **Field of Classification Search**  
USPC ..... D13/102-110, 118, 119, 153, 154, 184,  
D13/199; D14/250

CPC ..... Y02E 60/10; Y02E 60/12; Y02E 60/122;  
Y02E 60/124; Y02E 60/50; H01M 2/02;  
H01M 2/022; H01M 2/0202; H01M  
2/0207; H01M 2/0212; H01M 2/1061;  
H01M 2/1022; H01M 2/1055; H01M  
2/1066; H01M 2/105; H01M 2/20; H01M  
2/202; H01M 2/204; H01M 2/206; H01M  
10/44; H01M 10/46; H01M 10/465;  
H01M 10/482; H01M 10/4257; H01M  
10/0436; H01M 10/48; H01M 2200/30;  
H01M 2250/30; H01M 2250/40; H02J  
7/00; H02J 7/0003; H02J 7/0011; H02J  
7/0013; H02J 7/0054; H02J 7/0055; H02J  
7/0057; H02J 7/0034; H02J 7/1423;  
Y02T 10/7005; Y02T 10/705; Y02T  
10/7088; B60L 11/182

See application file for complete search history.

(56) **References Cited**

U.S. PATENT DOCUMENTS

D656,896 S *	4/2012	Fung .....	D13/110
D662,879 S *	7/2012	Steinbuchel, IV .....	D13/107
D704,629 S	5/2014	Liu .....	
D742,819 S *	11/2015	Nuovo .....	D13/107
D744,942 S *	12/2015	Bates .....	D13/107
D755,121 S *	5/2016	Barajas .....	D13/107
D836,541 S *	12/2018	Lomeli .....	D13/107
D859,305 S *	9/2019	Barajas .....	D13/107
D870,039 S *	12/2019	Wang .....	D13/108
D885,339 S *	5/2020	Duan .....	D13/110
D892,729 S *	8/2020	Helnerus .....	D13/107
D894,121 S *	8/2020	Lomeli .....	D27/194
D910,554 S *	2/2021	Li .....	D13/108

(Continued)

FOREIGN PATENT DOCUMENTS

JP 1583114 S 8/2017

*Primary Examiner* — Christy Nemeth

(74) *Attorney, Agent, or Firm* — Leydig, Voit & Mayer,  
Ltd.

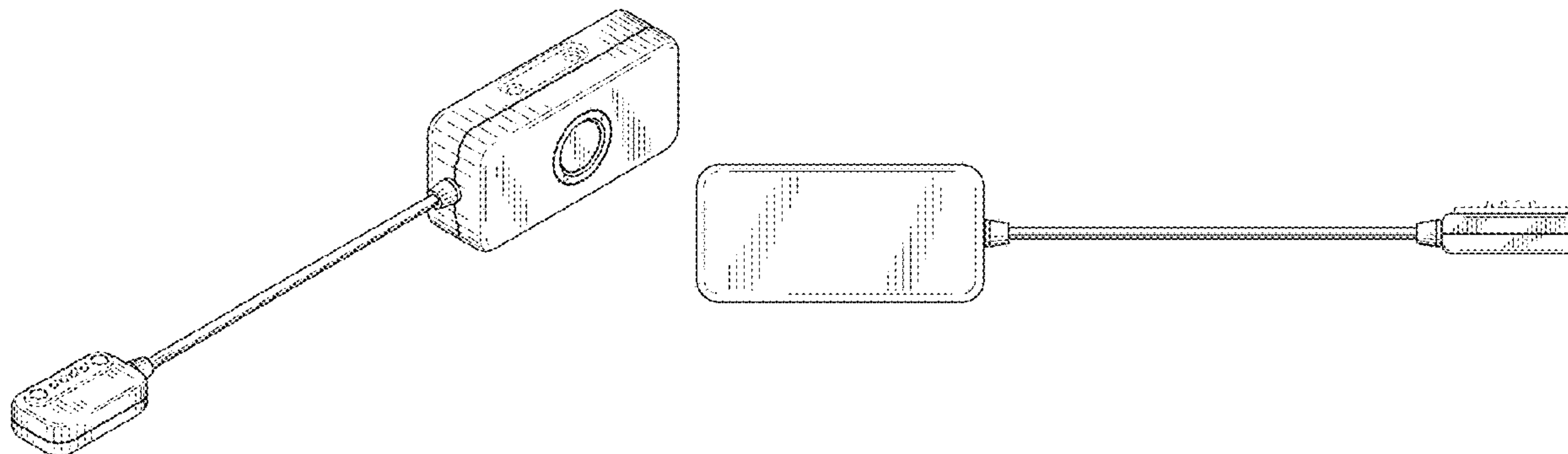
(57) **CLAIM**

The ornamental design for a charger, as shown and described.

**DESCRIPTION**

FIG. 1 is a front perspective view of the charger of the present invention;  
FIG. 2 is a front view of thereof;  
FIG. 3 is a rear view of thereof;  
FIG. 4 is a top plan view of thereof;  
FIG. 5 is a bottom plan view of thereof;  
FIG. 6 is a right side view of thereof; and,  
FIG. 7 is a left side view of thereof.  
The broken lines show portions of the charger that form no part of the claimed design.

**1 Claim, 7 Drawing Sheets**



(56)

**References Cited**

U.S. PATENT DOCUMENTS

D911,927 S *	3/2021	Kindler .....	D13/103
D936,579 S *	11/2021	Wang .....	D24/217
D942,384 S *	2/2022	Wu .....	D13/108
D943,513 S *	2/2022	Osellame .....	D13/107
D943,514 S *	2/2022	May .....	D13/102
D943,528 S *	2/2022	Zhang .....	D13/110
D944,201 S *	2/2022	Zeng .....	D13/110

\* cited by examiner

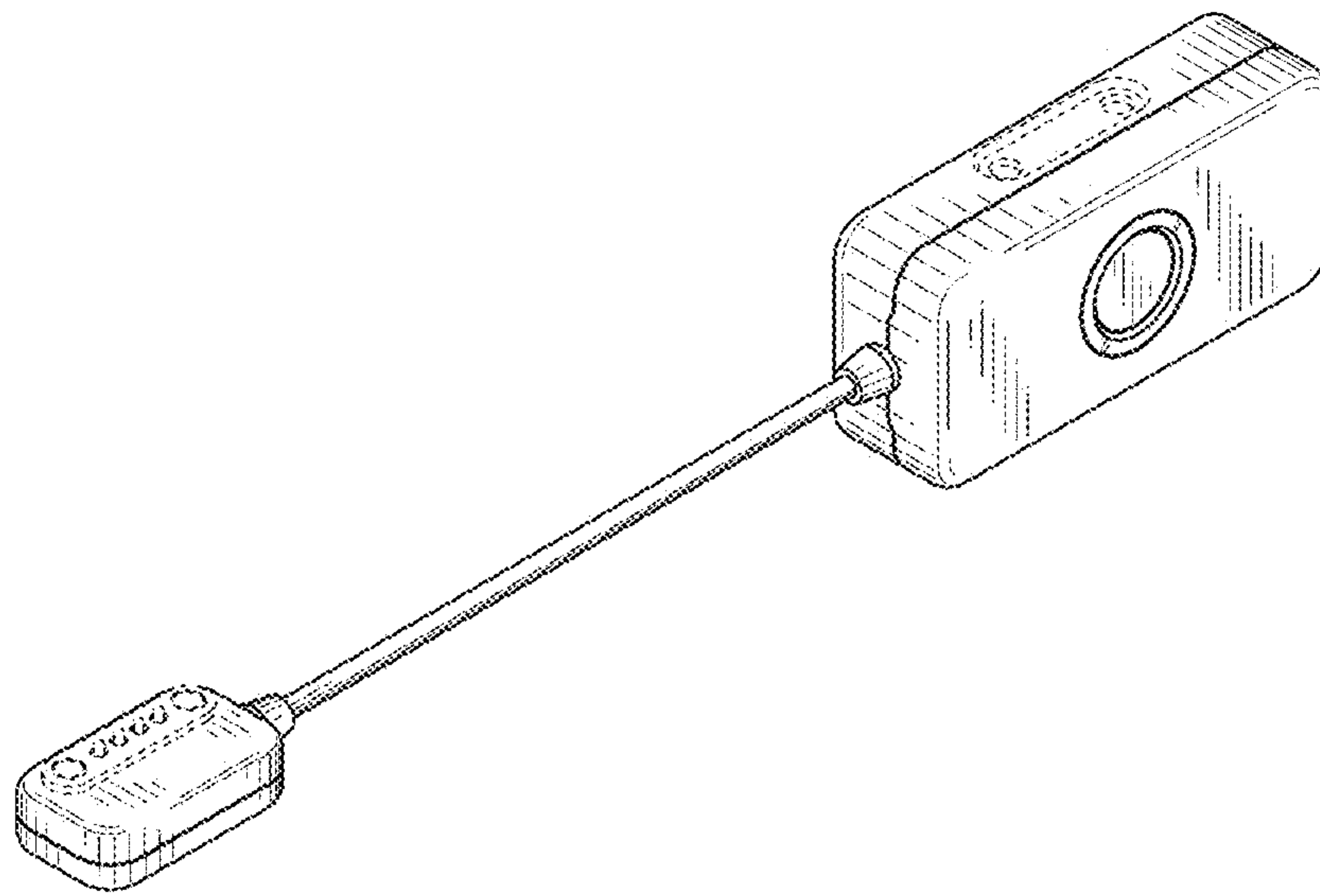


FIG. 1

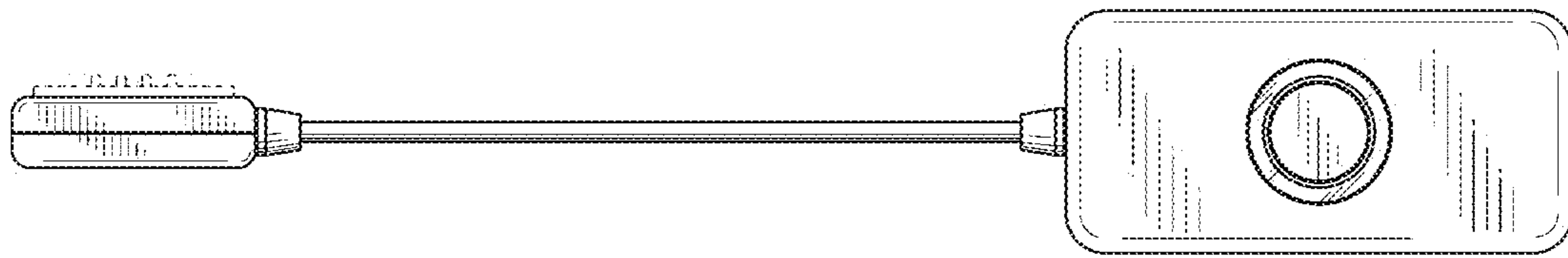


FIG. 2

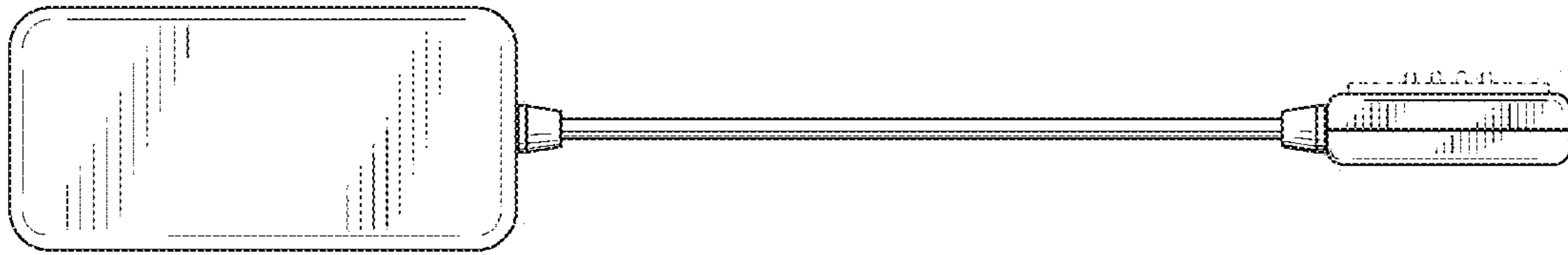


FIG. 3

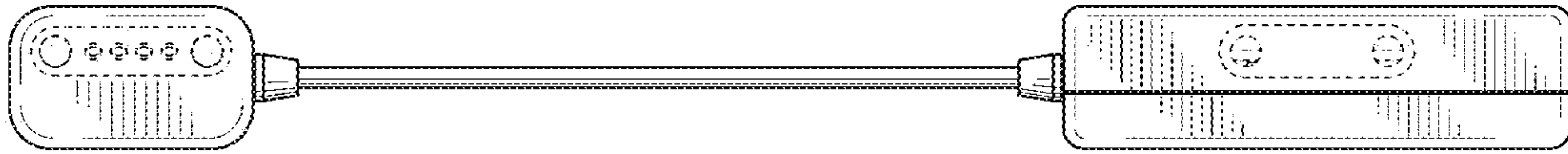


FIG. 4

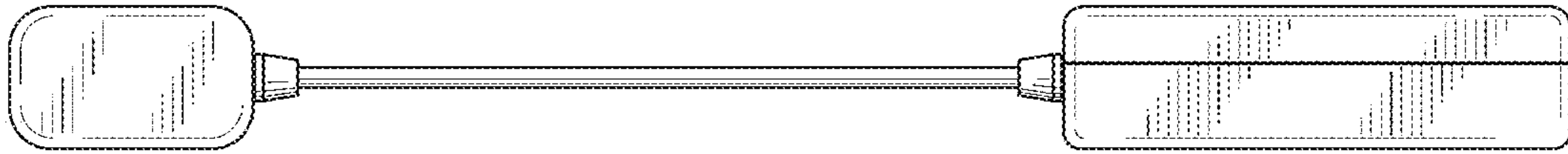


FIG. 5

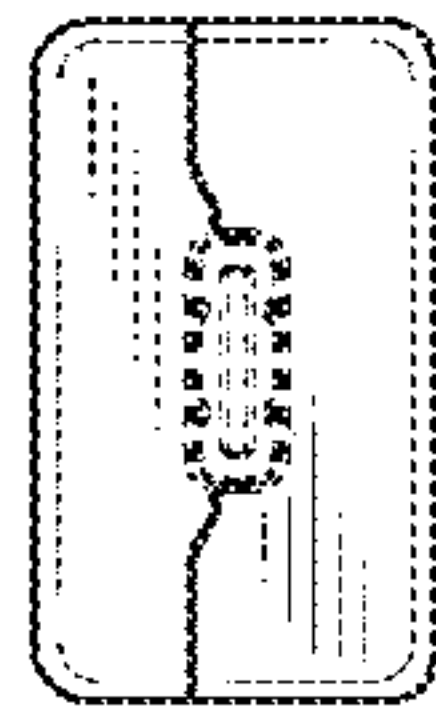


FIG. 6



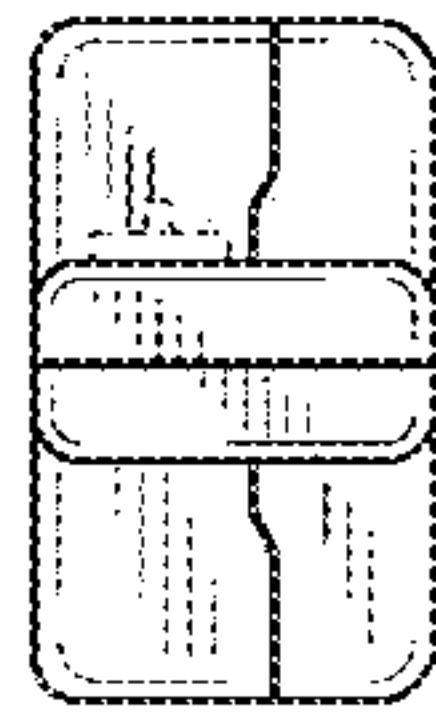


FIG. 7