



US00D958060S

(12) **United States Design Patent** (10) **Patent No.:** **US D958,060 S**
Qu (45) **Date of Patent:** **** Jul. 19, 2022**

(54) **BATTERY BOX WITH SOLAR PANEL**

(71) Applicant: **Taizhou Ju mei Zhao ming technology Ltd**, Taizhou (CN)
(72) Inventor: **Dao Li Qu**, Taizhou (CN)
(73) Assignee: **TAIZHOU JU MEI ZHAO MING TECHNOLOGY LTD**, Taizhou (CN)

(**) Term: **15 Years**

(21) Appl. No.: **29/764,031**

(22) Filed: **Dec. 28, 2020**

(51) **LOC (13) Cl.** **13-04**

(52) **U.S. Cl.**
USPC **D13/102**

(58) **Field of Classification Search**
USPC D13/101, 102, 107, 110, 118, 133, 184
CPC H01L 31/02; H01L 31/18; H01L 31/042;
H01L 31/048; H01L 31/0525; H01L
31/0203; H01L 31/02008; H01L 31/0504;
H01L 31/02013; H01L 27/142; H01L
27/1421; Y02E 10/40; Y02E 10/47; Y02E
10/50; Y02E 10/52; Y02E 10/54; Y02E
10/542; Y02E 10/544; H02S 30/10; H02S
40/34; H02S 40/44

See application file for complete search history.

(56) **References Cited**

U.S. PATENT DOCUMENTS

D689,817 S *	9/2013	Sun	D13/102
D697,864 S *	1/2014	McGrath	D13/102
D806,931 S *	1/2018	Hui	D26/102
D812,668 S *	3/2018	Elie	D16/202
D817,867 S *	5/2018	Kojima	D13/102
D833,969 S *	11/2018	Kojima	D13/102
D841,571 S *	2/2019	Zhou	D13/102
D900,371 S *	10/2020	Zhong	D26/51
D908,609 S *	1/2021	Zhu	D13/102
D920,899 S *	6/2021	Weng	D13/102
D940,063 S *	1/2022	Wen	D13/102
D940,064 S *	1/2022	Wen	D13/102
D943,508 S *	2/2022	Zhou	D13/102

OTHER PUBLICATIONS

Solar Battery Box. Design—© Questel) orbit.com. [Online PDF compilation of references] 13 pgs. Print Dates Range Feb. 23, 2019-Jul. 5, 2016 [Retrieved Feb. 25, 2022].*
Solar Led Step Light Kit Auto Timer Control. Aug. 25, 2017. Amazon. <https://www.amazon.com/dp/B0754Q6JJC?SubscriptionId=AKIAJPZLBECZNBCPHMZQ&tag=brksk-20&linkCode=xm2&camp=2025&creative=386001#aod>.*
12 Volt AC Photocell Sensor. Before Apr. 16, 2014. TJB. <https://shop.tjb-inc.com/12-volt-ac-photocell-sensor-with-digital-timer-quick-connectors-by-aquascape-p1744.aspx>.*
Garden Decor Outdoor Lamp String. Before Oct. 4, 2021. Ali Express. https://www.aliexpress.com/item/1005002506014395.html?dp=420557-139945.1621335&aff_fcid=8024481e4edd4896bce499f2b105eb6f-1645832692450-04559&aff_fsk&aff_platform=api-new-product-detail&sk&aff_trace_key=8024481e4edd4896bce499f2b105eb6f-164583269245.*

* cited by examiner

Primary Examiner — Manpreet S Matharu
Assistant Examiner — Suzanne E Tisdell
(74) *Attorney, Agent, or Firm* — WPAT, PC

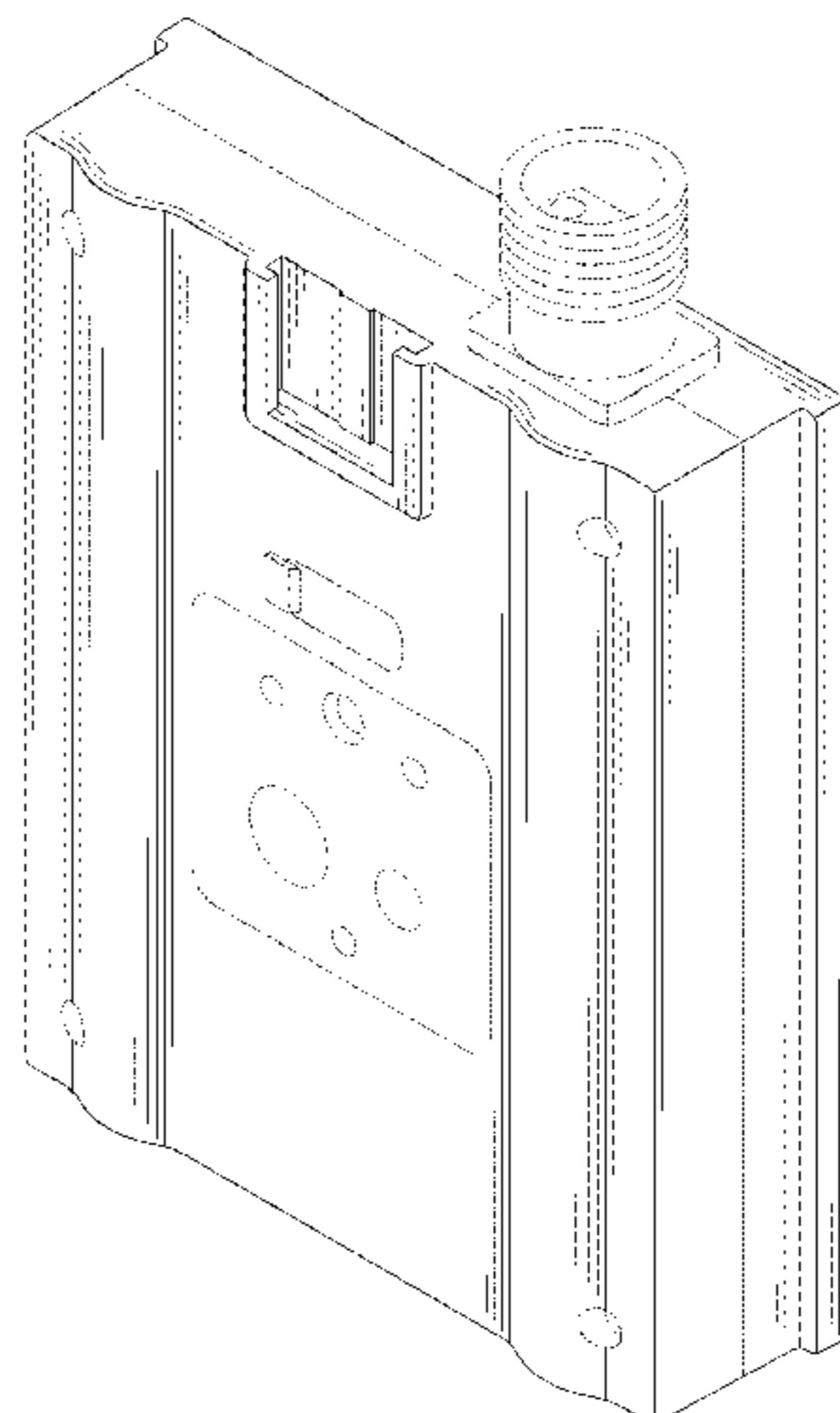
(57) **CLAIM**

The ornamental design for a battery box with solar panel, as shown and described.

DESCRIPTION

FIG. 1 is a perspective view of a battery box with solar panel, showing our new design;
FIG. 2 is a front view thereof;
FIG. 3 is a rear view thereof;
FIG. 4 is a left side view thereof;
FIG. 5 is a right side view thereof;
FIG. 6 is a top plan view thereof;
FIG. 7 is a bottom plan view thereof; and,
FIG. 8 is an enlarged view of a circled portion 8 thereof.
The broken line shown are included for the purpose of illustrating portions of the battery box with solar panel which form no part of the claimed design.

1 Claim, 5 Drawing Sheets



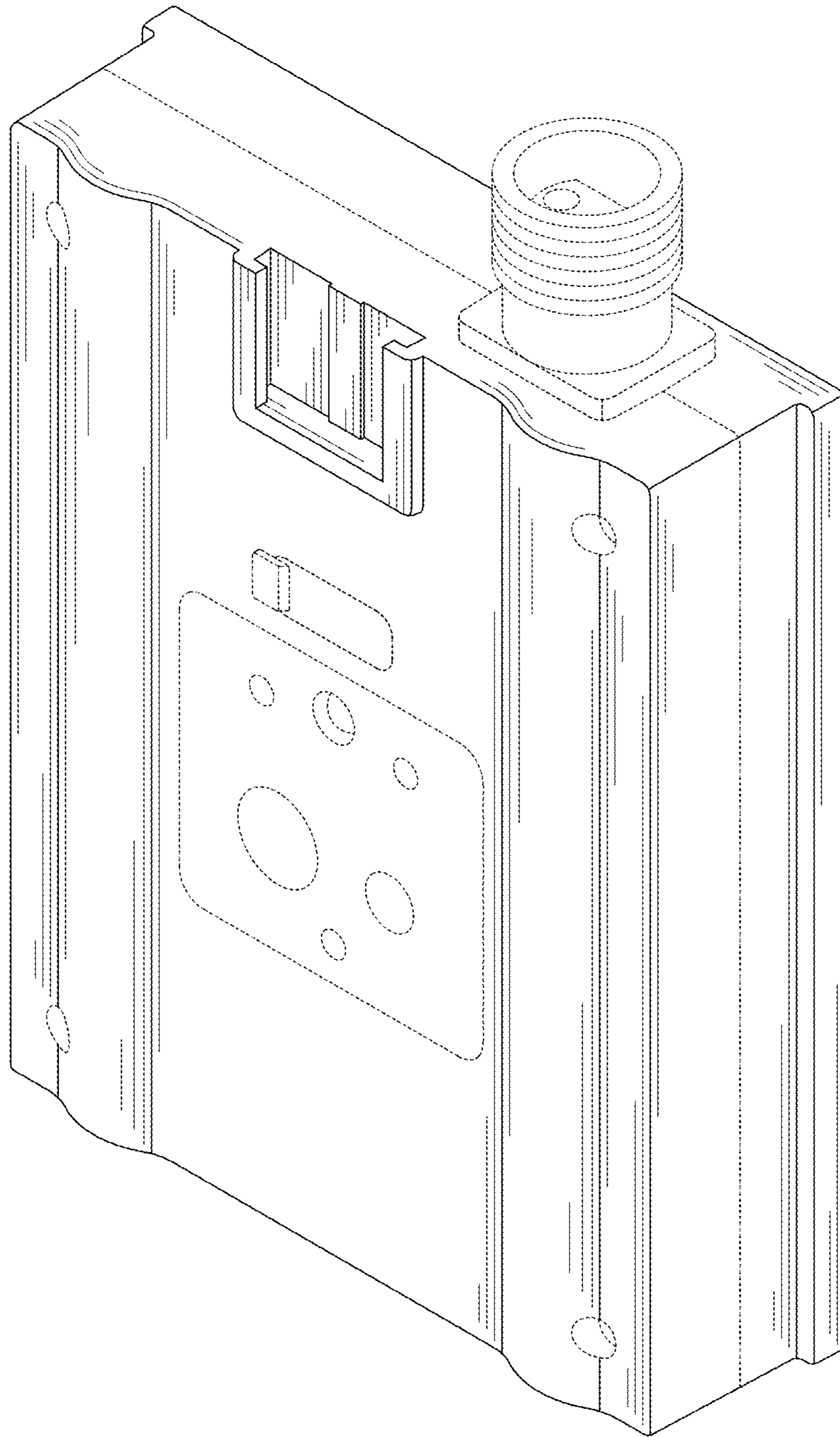


FIG. 1

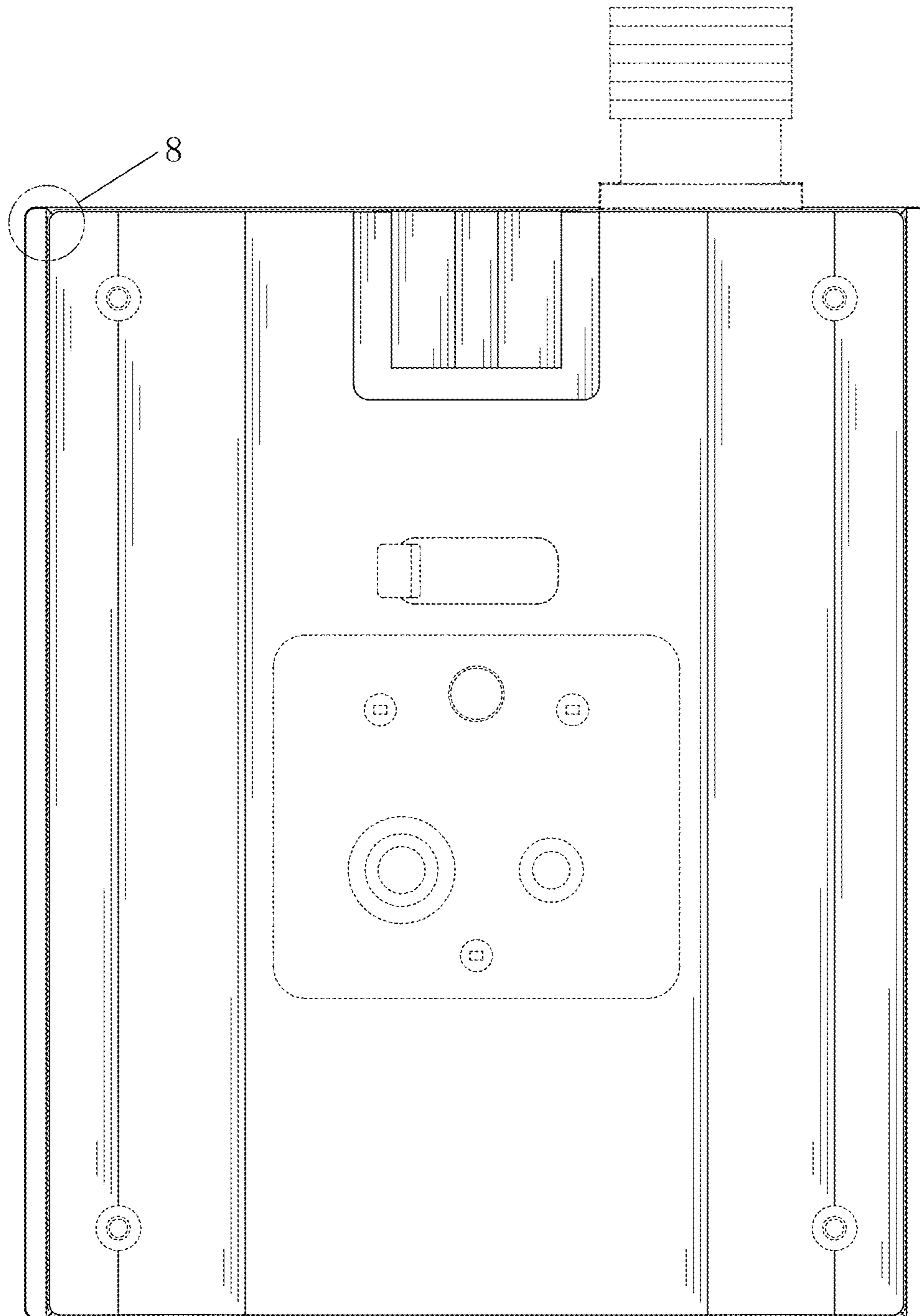


FIG. 2

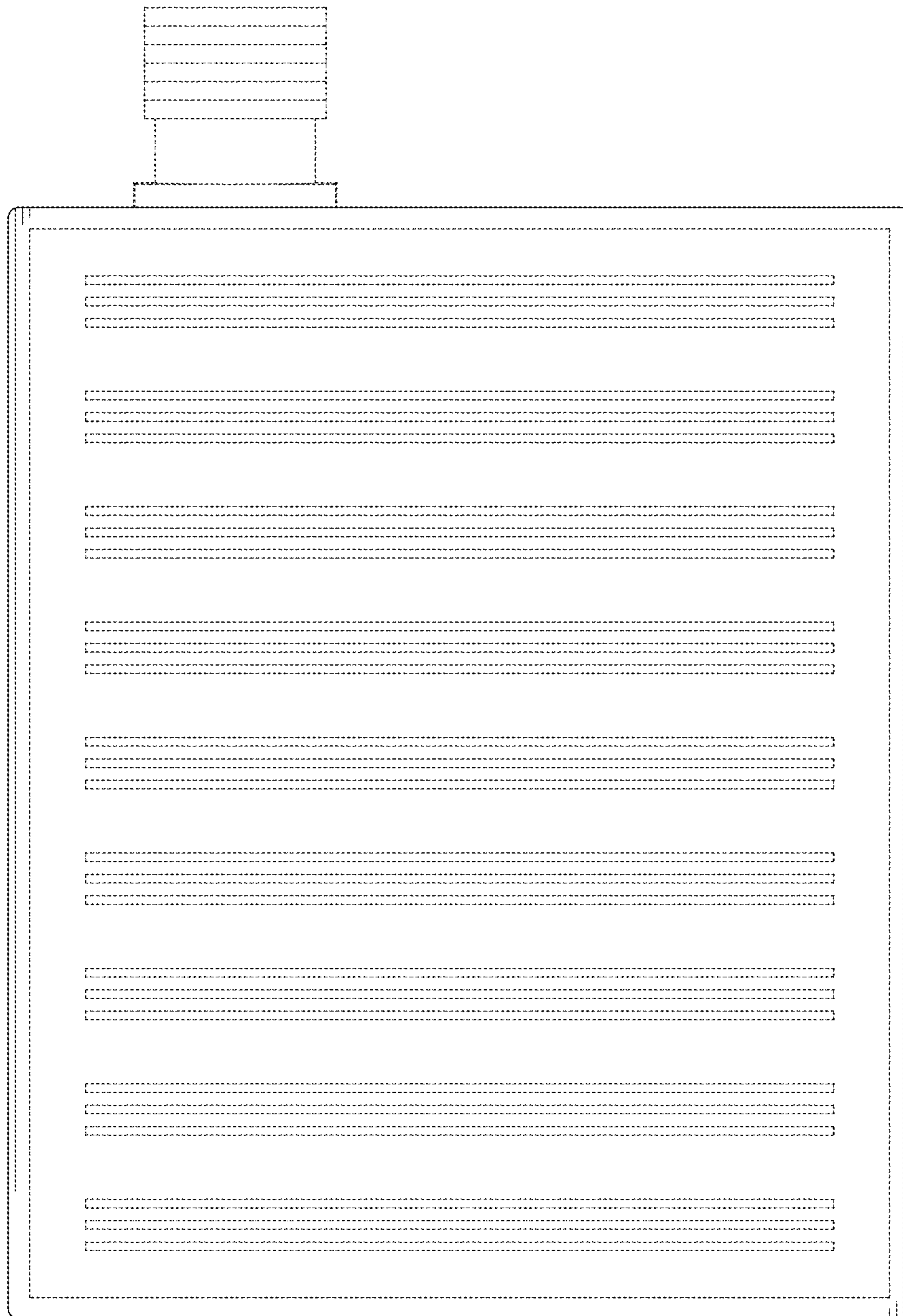


FIG. 3

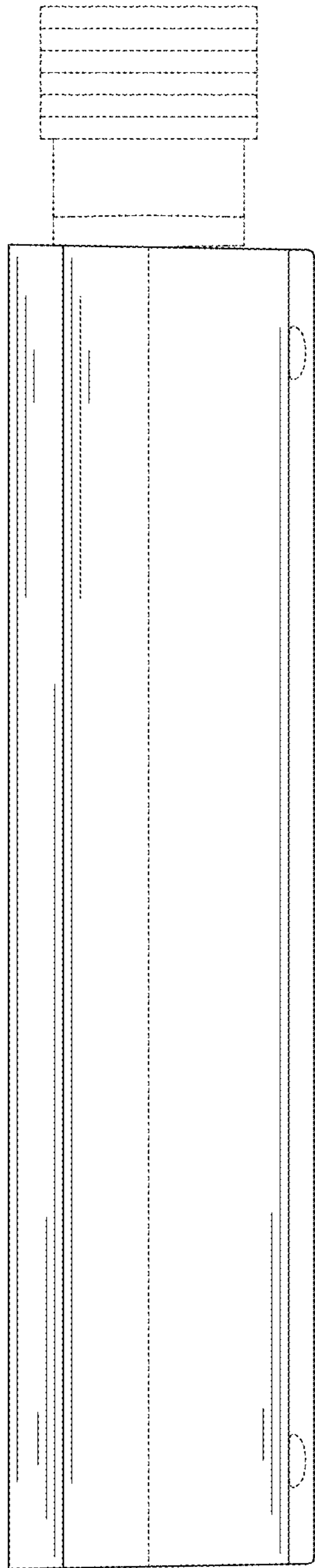


FIG. 4

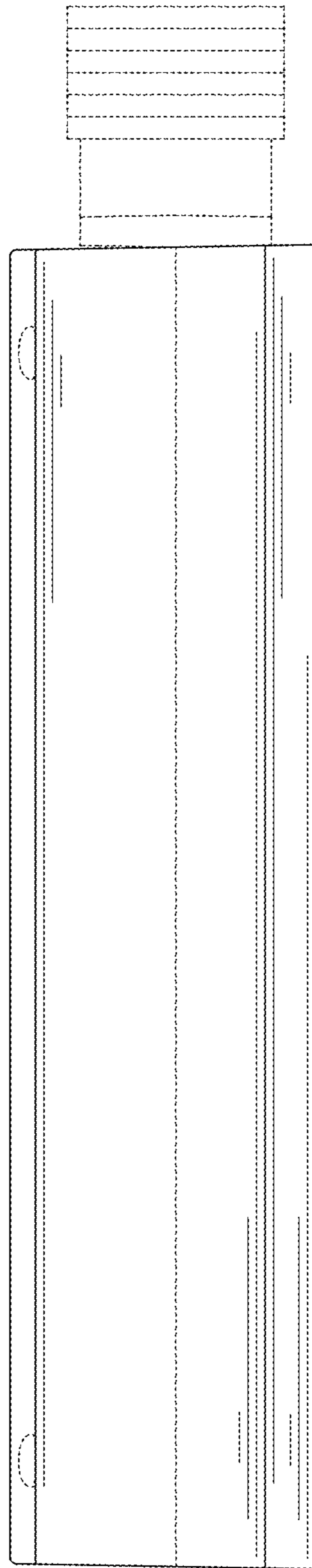


FIG. 5

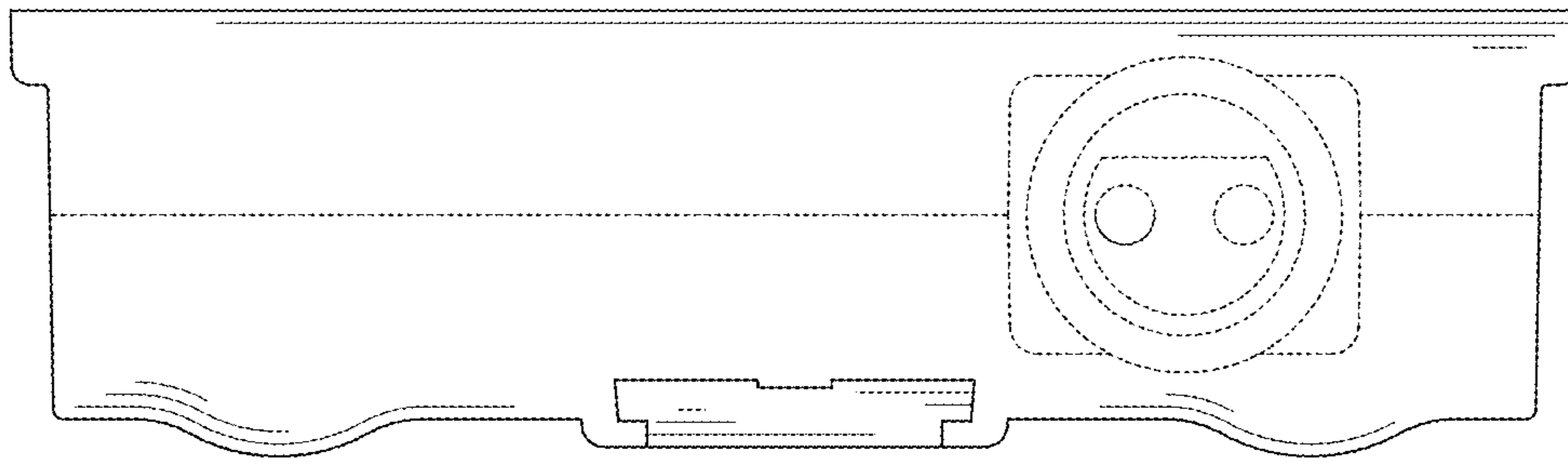


FIG. 6

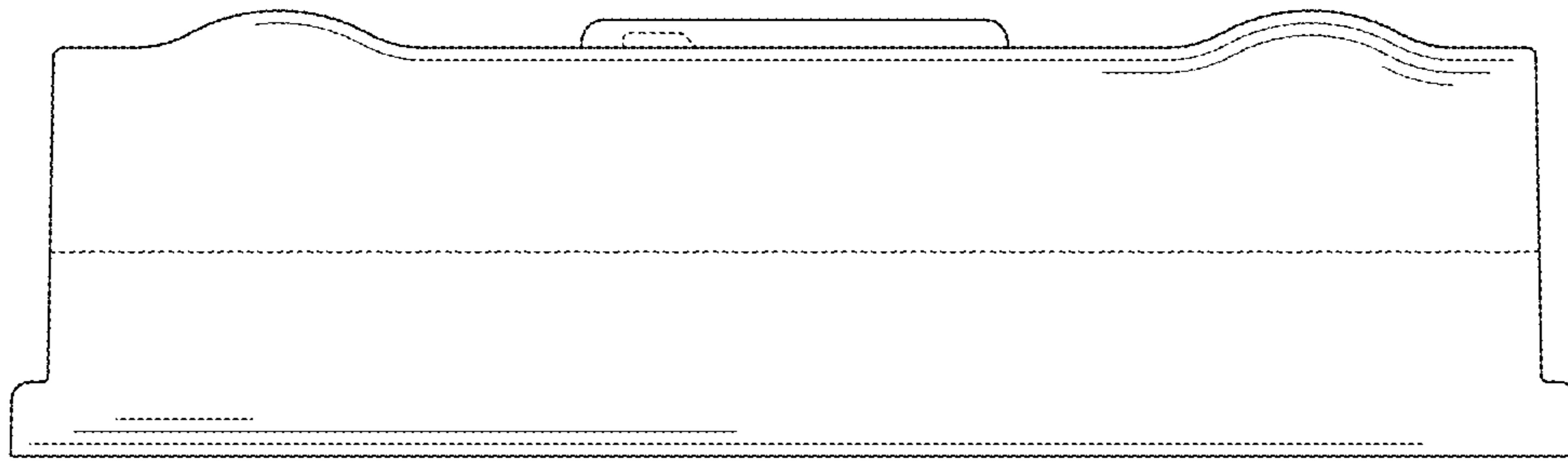


FIG. 7

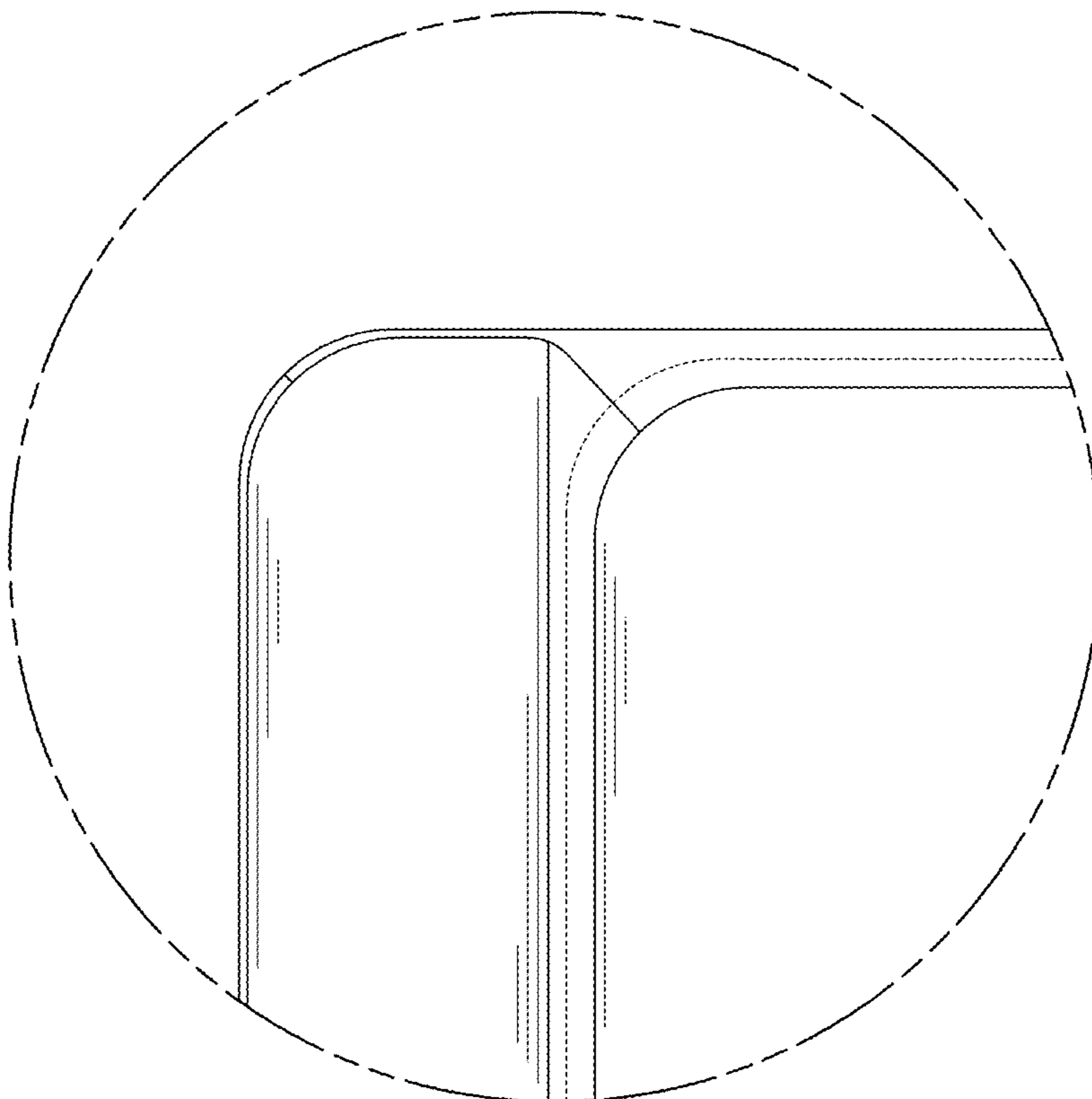


FIG. 8