



US00D958059S

(12) **United States Design Patent**
Dunn

(10) **Patent No.:** **US D958,059 S**

(45) **Date of Patent:** **** Jul. 19, 2022**

(54) **SOLAR POWERED ELECTRONIC DISPLAY ASSEMBLY WITH POLE MOUNT**

D453,194 S 1/2002 Gentelia et al.
6,396,239 B1 * 5/2002 Benn H02S 10/40
320/101

(71) Applicant: **Manufacturing Resources International, Inc.**, Alpharetta, GA (US)

D486,188 S 2/2004 Norcross et al.
D505,113 S * 5/2005 Lam D13/107
D595,645 S * 7/2009 Beghelli D13/102
(Continued)

(72) Inventor: **William Dunn**, Alpharetta, GA (US)

FOREIGN PATENT DOCUMENTS

(73) Assignee: **Manufacturing Resources International, Inc.**, Alpharetta, GA (US)

CN 106782121 A 5/2017
CN 109961695 A 7/2019

(**) Term: **15 Years**

OTHER PUBLICATIONS

(21) Appl. No.: **29/711,250**

Vertigo Digital Displays, Innovation on Display FlexVu Totem Brochure, 2014, 6 pages.

(Continued)

(22) Filed: **Oct. 29, 2019**

(51) **LOC (13) Cl.** **13-02**

Primary Examiner — Derrick E Holland

(52) **U.S. Cl.**

(74) *Attorney, Agent, or Firm* — Standley Law Group LLP; Jeffrey S. Standley; Adam J. Smith

USPC **D13/102**

(58) **Field of Classification Search**

(57) **CLAIM**

USPC D13/102, 101, 103, 110, 118, 133, 182,
D13/184, 199; D26/63, 67, 68, 71;
D14/302, 307, 308, 349

The ornamental design for a solar powered electronic display assembly with pole mount, as shown and described.

CPC Y02E 10/40; Y02E 10/44; Y02E 10/50;
Y02E 10/52; Y02E 10/542; Y02E 10/544;
E04H 4/08; F24J 2/38; F24J 2/0472; F24J
2/542; H01L 31/00; H01L 31/042; H01L
31/045; H01L 31/048; H01L 31/049;
H01L 31/052; H01L 31/184; H01L
31/0232; H01L 31/0508; H01L 31/0512;
H01L 31/0543; H01L 31/02013; H01L
31/1876; H01L 51/0061; H02S 40/34

DESCRIPTION

See application file for complete search history.

FIG. 1 is a front perspective view of a solar powered electronic display assembly with pole mount;
FIG. 2 is a front elevation view thereof;
FIG. 3 is a rear elevation view thereof;
FIG. 4 is a right side elevation view thereof;
FIG. 5 is a left side elevation view thereof;
FIG. 6 is a top view thereof;
FIG. 7 is a bottom view thereof; and,
FIG. 8 is an environmental view thereof.

The broken lines shown represent environmental subject matter and form no part of the claimed design.

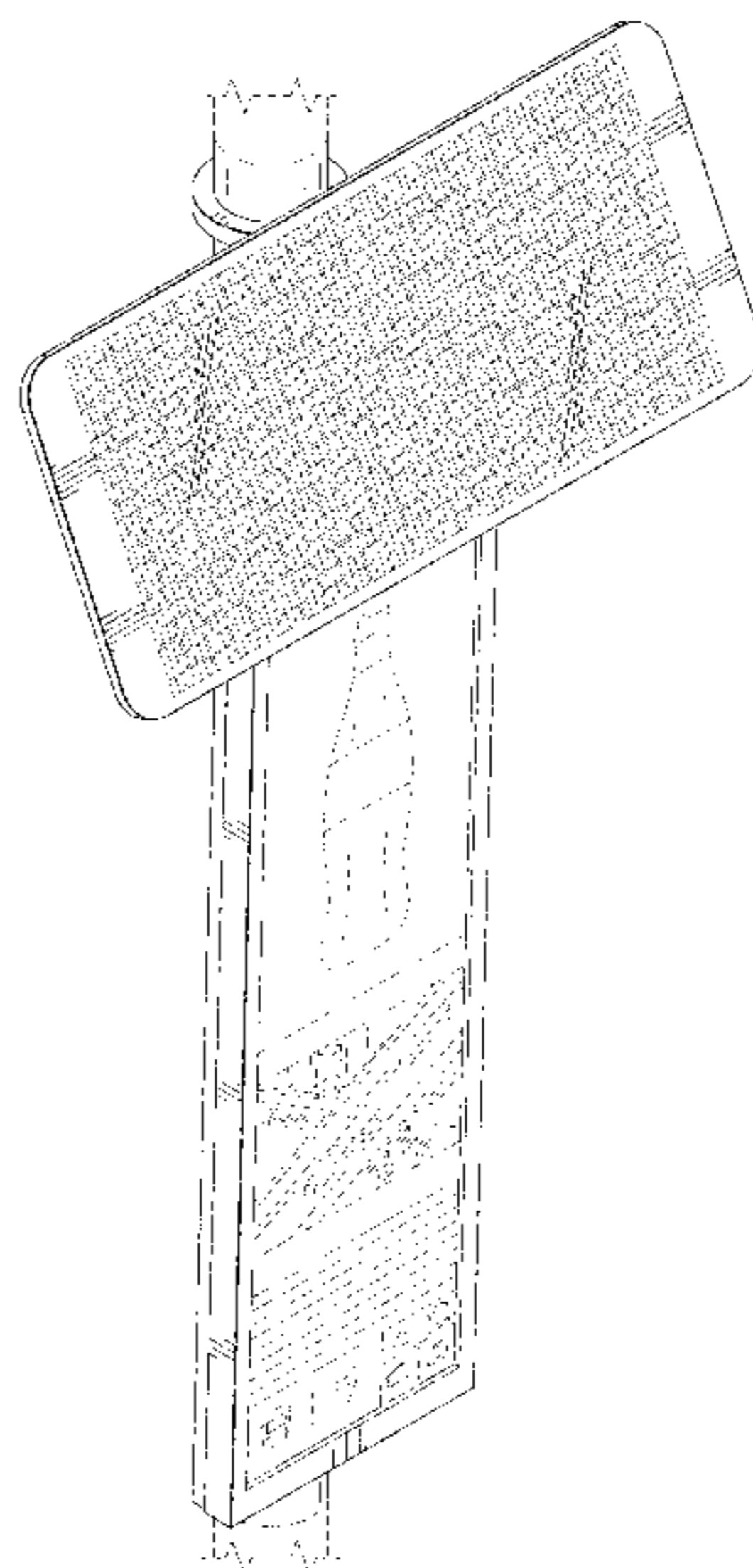
The dot-dash broken line(s) define the bounds of the claimed design and form no part thereof.

(56) **References Cited**

U.S. PATENT DOCUMENTS

4,534,496 A 8/1985 Bott
5,306,156 A 4/1994 Gibbs et al.
D408,554 S * 4/1999 Dinwoodie D25/55

1 Claim, 6 Drawing Sheets



(56)

References Cited

U.S. PATENT DOCUMENTS

D654,116	S	2/2012	McDougall et al.	
D791,069	S *	7/2017	Mota	D13/102
9,994,160	B2	6/2018	Kim et al.	
D839,352	S	1/2019	Lim et al.	
2003/0119448	A1	6/2003	Arntz	
2008/0298051	A1 *	12/2008	Chu	F21S 9/037 362/183
2009/0183405	A1 *	7/2009	Wilkes	G09F 27/007 40/543
2012/0002357	A1	1/2012	Auld et al.	
2013/0033222	A1 *	2/2013	Hixson	E04H 1/1211 136/246
2015/0194561	A1 *	7/2015	Toya	H01L 31/048 250/208.1

OTHER PUBLICATIONS

Vertigo Digital Displays, FlexVu Totem Shelter, 2017, 2 pages.
 Vertigo Digital Displays, All Products Catalogue, 2017, 14 pages.
 Civiq Smartscapes, FlexVue Ferro 55P/55L, Mar. 16, 2017, 4 pages.

Civiq Smartscapes, There are companies that make kiosks. And then there's Civiq.—Advanced Smart City Platform, webpage, Jan. 30, 2019, 10 pages.
 Civiq Smartscapes, Connecting people, places & experiences, webpage, Jan. 30, 2019, 5 pages.
 Civiq Smartscapes, Connecting people, places & experiences, screen shot of devices webpage, Jan. 30, 2019, 1 page.
 Manufacturing Resources International, Manufacturing Resources International home webpage, Nov. 4, 2019, 2 pages.
 Manufacturing Resources International, LCD Display Deployments webpage, Nov. 2019, 3 pages.
 Manufacturing Resources International, BoldVu Outdoor LCD Display webpage, Nov. 4, 2019, 2 pages.
 Manufacturing Resources International, BoldVu Semi Outdoor LCD Display webpage, Nov. 8, 2019, 2 pages.
 Manufacturing Resources International, BoldVu Vehicle Top LCD Display webpage, Nov. 8, 2019, 2 pages.
 Manufacturing Resources International, Drivethru Menu Boards Webpage, Nov. 8, 2019, 2 pages.
 Manufacturing Resources International, Storefront Digital Signage webpage, Nov. 8, 2019, 2 pages.
 Melford Technologies, Part 1, video online at <https://m.youtube.com/watch?v=OAV7zzVrHtE&feature=youtu.be>, Oct. 21, 2019, 1 page.

* cited by examiner

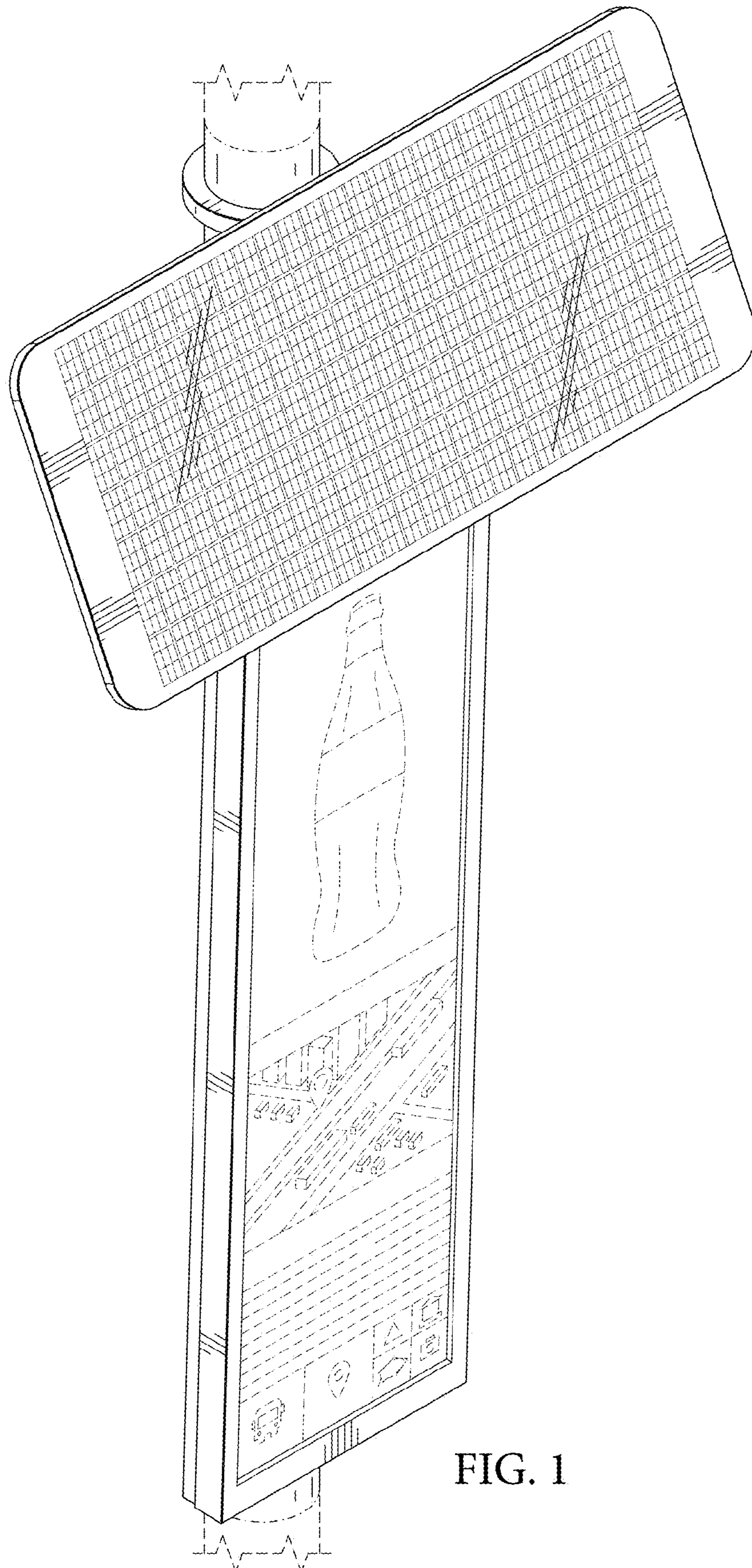


FIG. 1

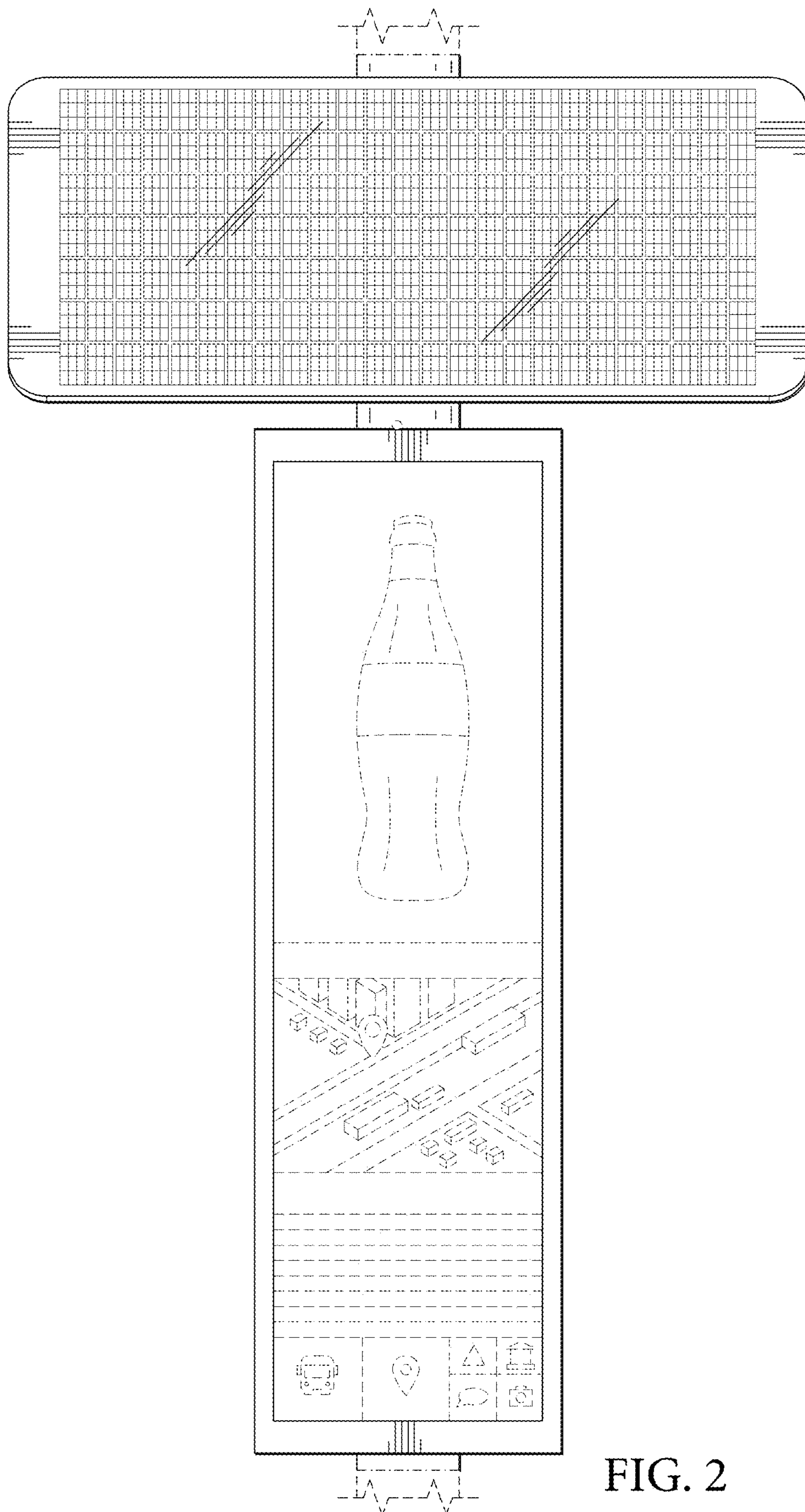


FIG. 2

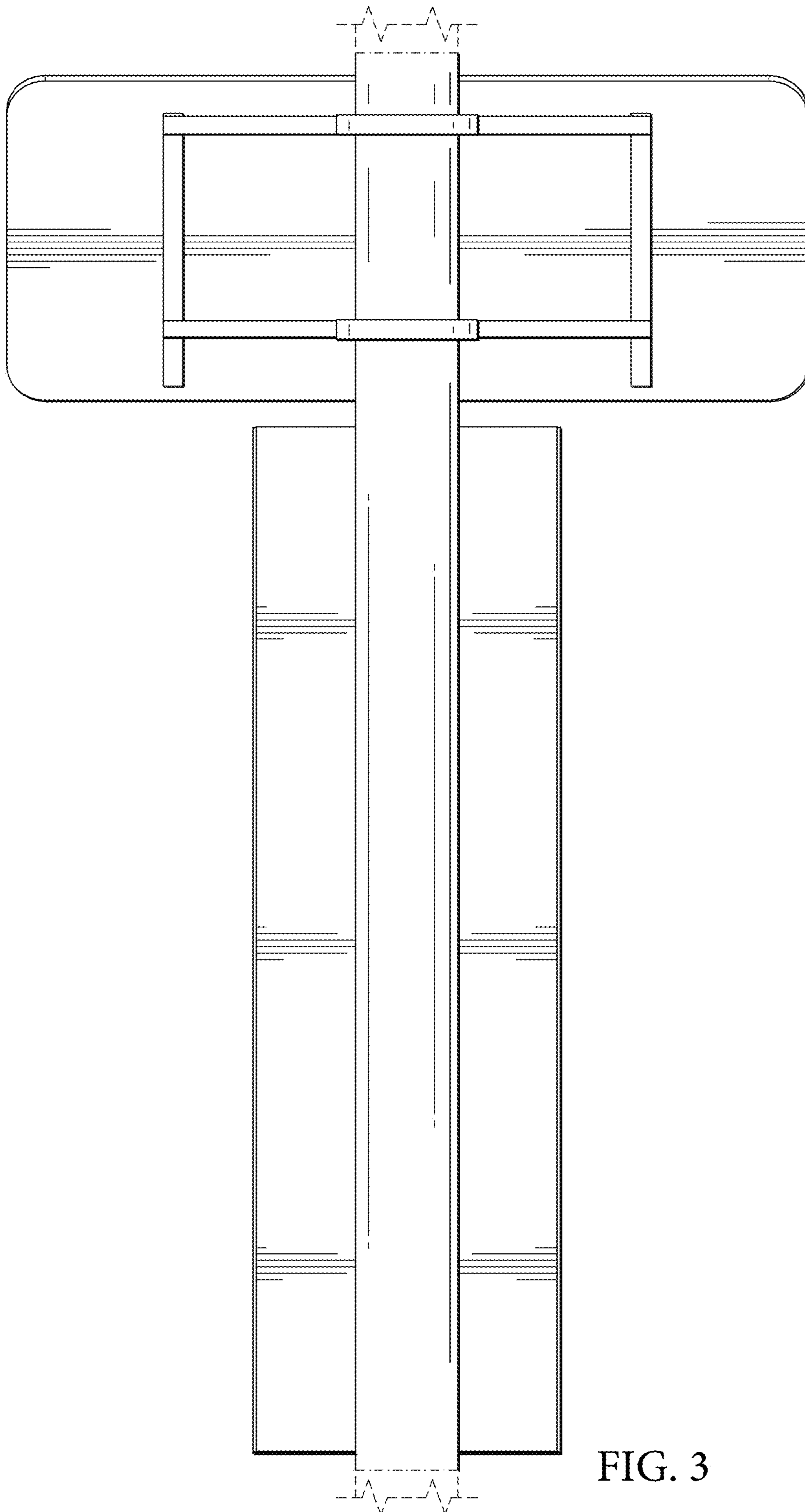


FIG. 3

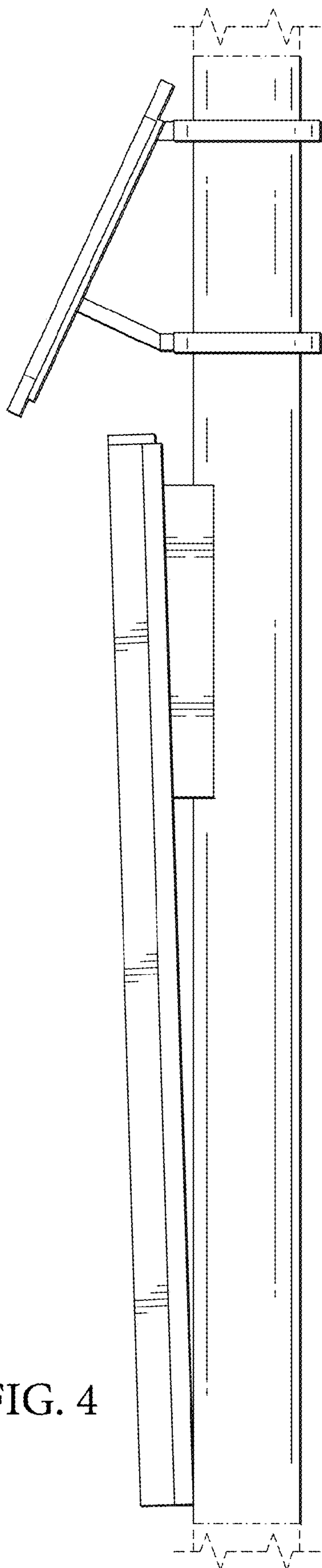


FIG. 4

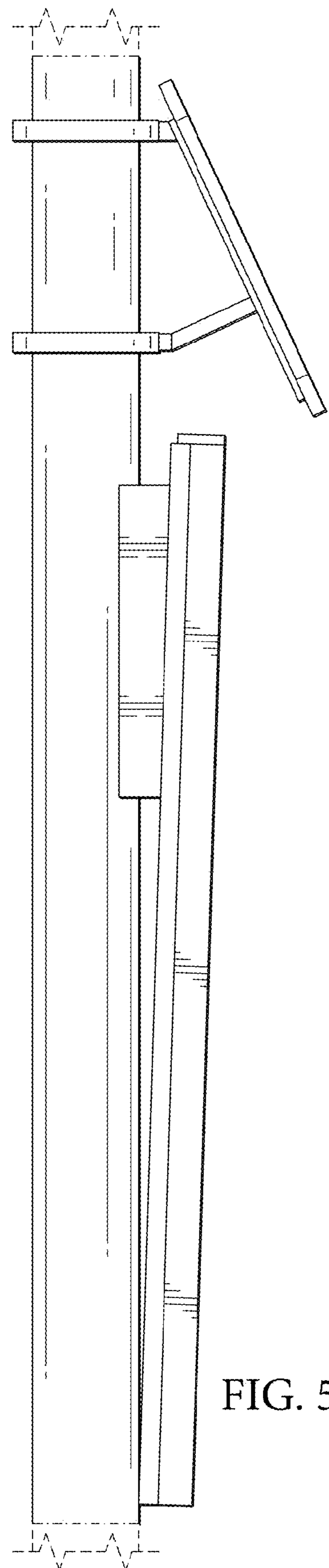


FIG. 5

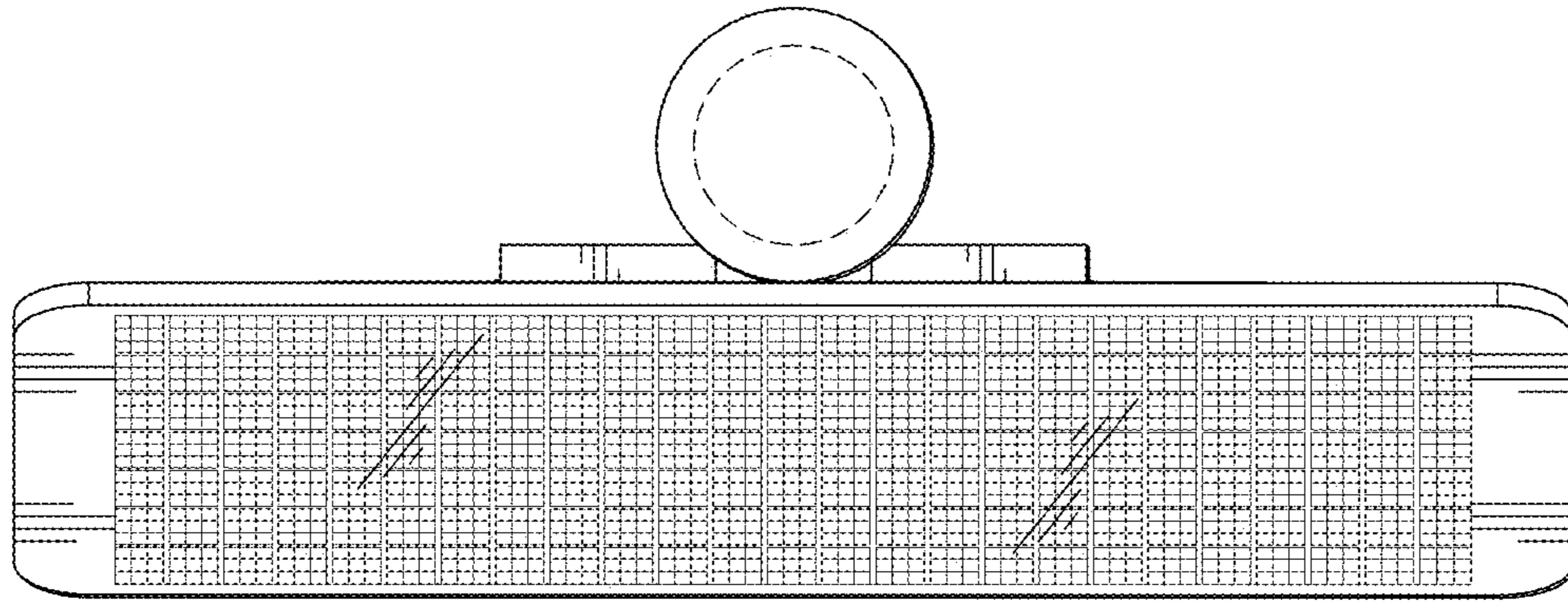


FIG. 6

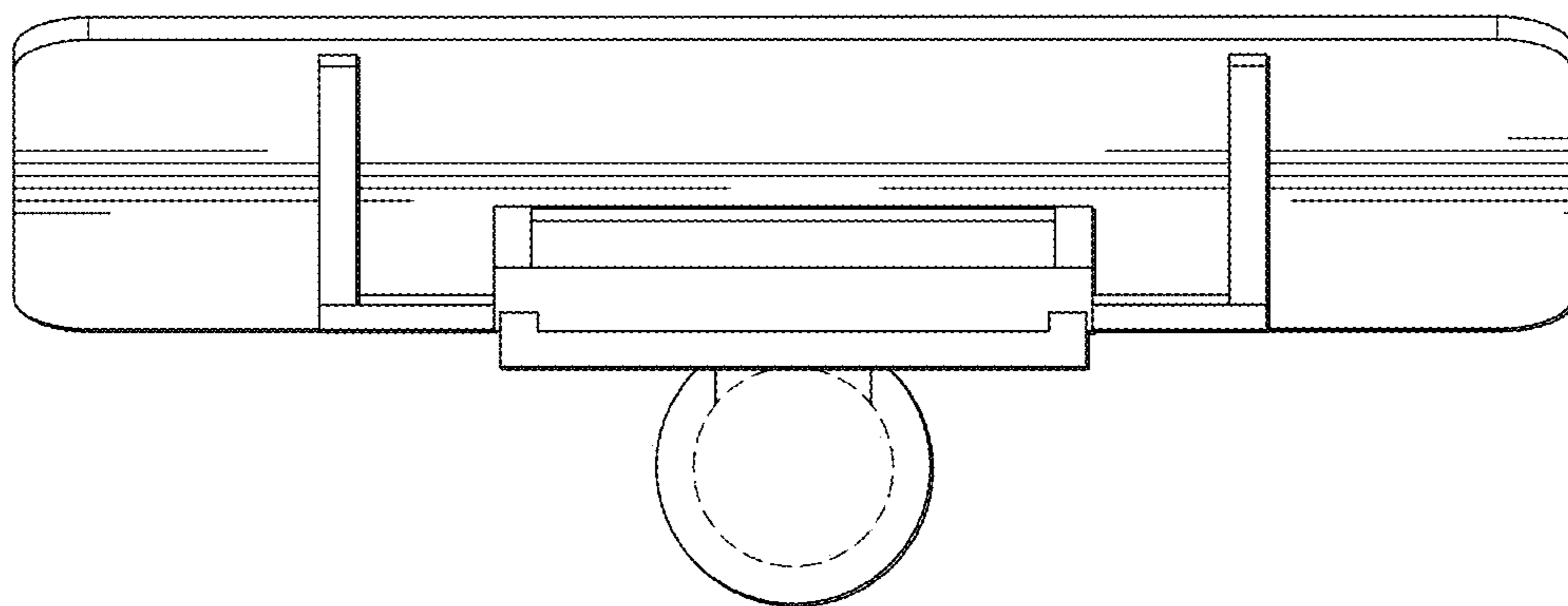


FIG. 7

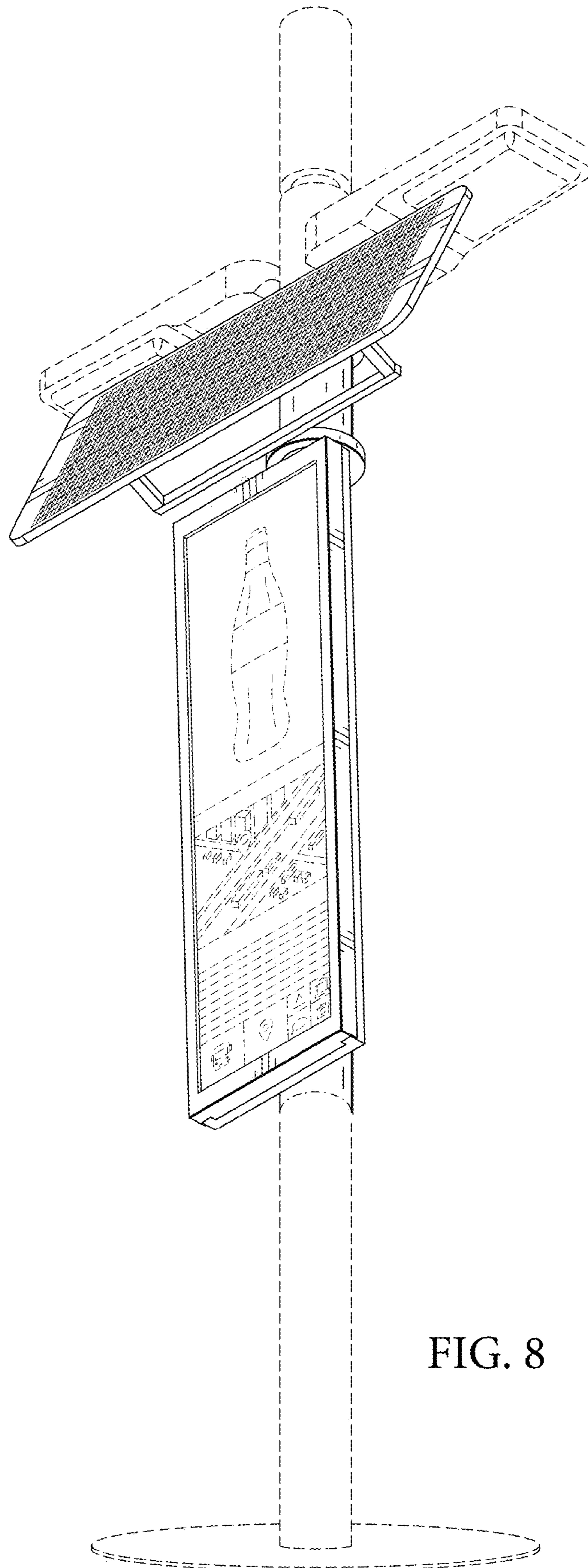


FIG. 8