



US00D958049S

(12) **United States Design Patent**
Mehra et al.

(10) **Patent No.:** **US D958,049 S**
(45) **Date of Patent:** **** Jul. 19, 2022**

(54) **WHEEL FOR ROBOTIC MOWER**
(71) Applicant: **Husqvarna AB**, Huskvarna (SE)
(72) Inventors: **Rajinder Mehra**, Johanneshov (SE);
Malin Andersson, Huddinge (SE); **Tor Sigurdson**, Stockholm (SE)

D864,256 S * 10/2019 Eidson D15/17
D882,640 S * 4/2020 Estey D15/17
D927,407 S * 8/2021 Alexander D12/501
2014/0047812 A1* 2/2014 Johansson B60B 5/02
56/16.7
2019/0045987 A1* 2/2019 Blum B60C 11/11
2020/0352091 A1* 11/2020 Ambros A01D 34/008

(73) Assignee: **HUSQVARNA AB**, Huskvarna (SE)

(**) Term: **15 Years**

(21) Appl. No.: **29/751,935**

(22) Filed: **Sep. 24, 2020**

(30) **Foreign Application Priority Data**

Mar. 24, 2020 (EM) 007768437-0007

(51) **LOC (13) Cl.** **12-15**

(52) **U.S. Cl.**
USPC **D12/501**; D15/17

(58) **Field of Classification Search**
USPC D12/500-532, 604, 568-574; D15/17,
D15/199; D7/403; D13/122; D34/27;
D21/779

CPC Y10T 152/10027; B60C 1/0016; B60C
11/0306; B60C 11/0302; B60C 3/06;
B60C 9/17; B60B 5/02; B60B 3/001;
B62D 63/04; F16D 65/18

See application file for complete search history.

(56) **References Cited**

U.S. PATENT DOCUMENTS

D466,962 S * 12/2002 Chen D21/779
D586,072 S * 2/2009 Morris D34/27
D593,946 S * 6/2009 Takamura D13/122
D669,409 S * 10/2012 Arakelian D12/211
D751,265 S * 3/2016 Bromm D34/27
D796,147 S * 8/2017 Anderson D34/27
D837,592 S * 1/2019 Lira-Nunez D7/403

FOREIGN PATENT DOCUMENTS

JP HH24203105 5/2012
JP HB25005041 11/2013
JP HA27002423 5/2015
JP HC27018421 2/2016
JP HH28201076 3/2016
JP HA29002015 1/2017
JP HJ29024212 7/2017

(Continued)

OTHER PUBLICATIONS

Husqvarna Automower Wheels Kit [Dec. 7, 2021] found online
[Dec. 7, 2021]—<https://www.amazon.com/Husqvarna-Automower-Wheels-Kits/dp/B074HWJJ6Z>.*

Primary Examiner — John A Voytek

(74) *Attorney, Agent, or Firm* — Burr & Forman LLP

(57) **CLAIM**

The ornamental design for the wheel for a robotic mower, as shown and described.

DESCRIPTION

FIG. 1 is a perspective view of a wheel of the present invention;

FIG. 2 is a back view of the wheel of FIG. 1;

FIG. 3 is a front view of the wheel of FIG. 1;

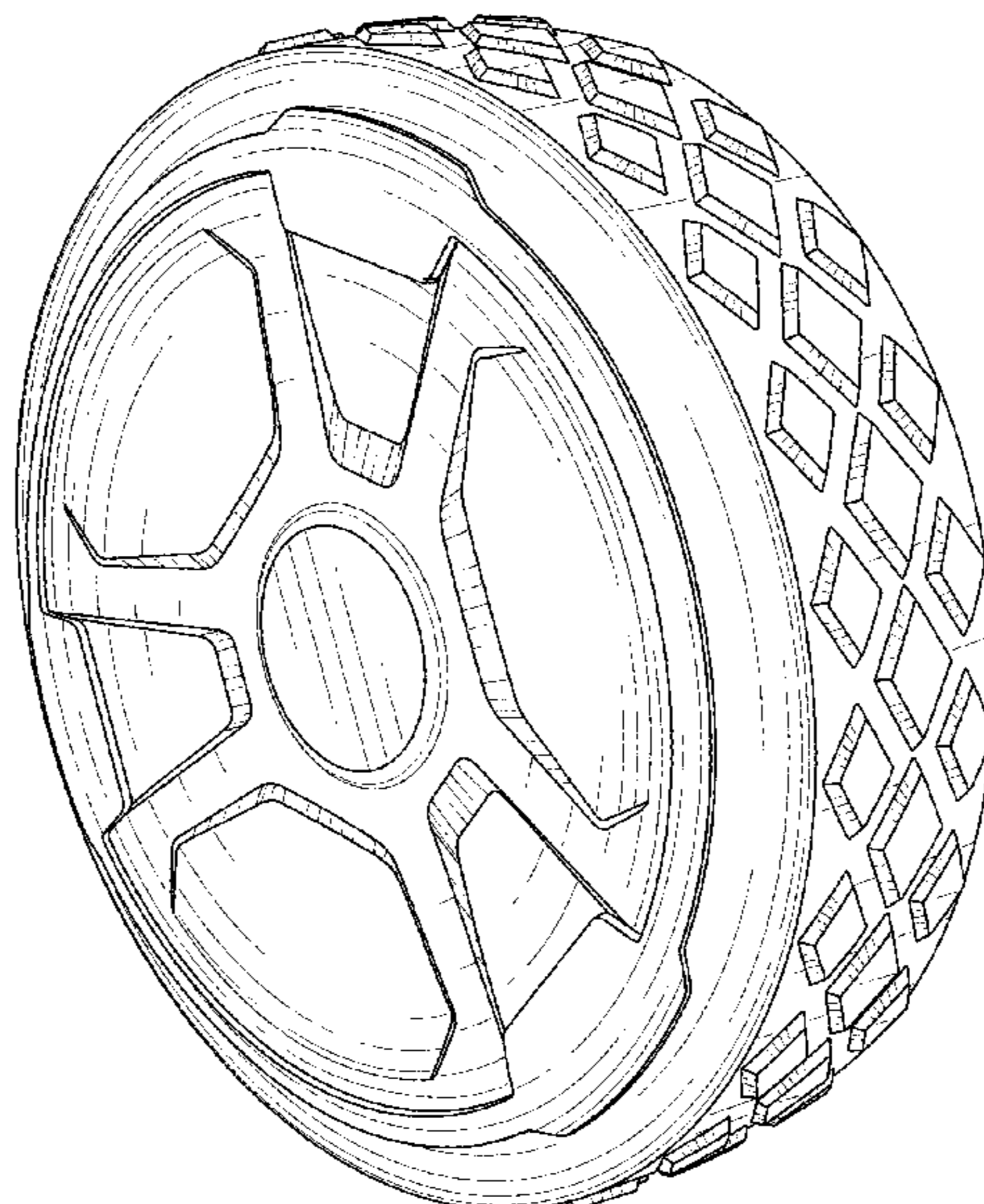
FIG. 4 is a left side view of the wheel of FIG. 1;

FIG. 5 is a right side view of the wheel of FIG. 1;

FIG. 6 is a top view of the wheel of FIG. 1; and,

FIG. 7 is a bottom view of the wheel of FIG. 1.

1 Claim, 5 Drawing Sheets



(56)

References Cited

FOREIGN PATENT DOCUMENTS

JP	HH31201830	4/2019
JP	HH31202614	5/2019
JP	HH31315663	7/2019
JP	HJ31020485	7/2019
JP	HJ31020486	7/2019

* cited by examiner

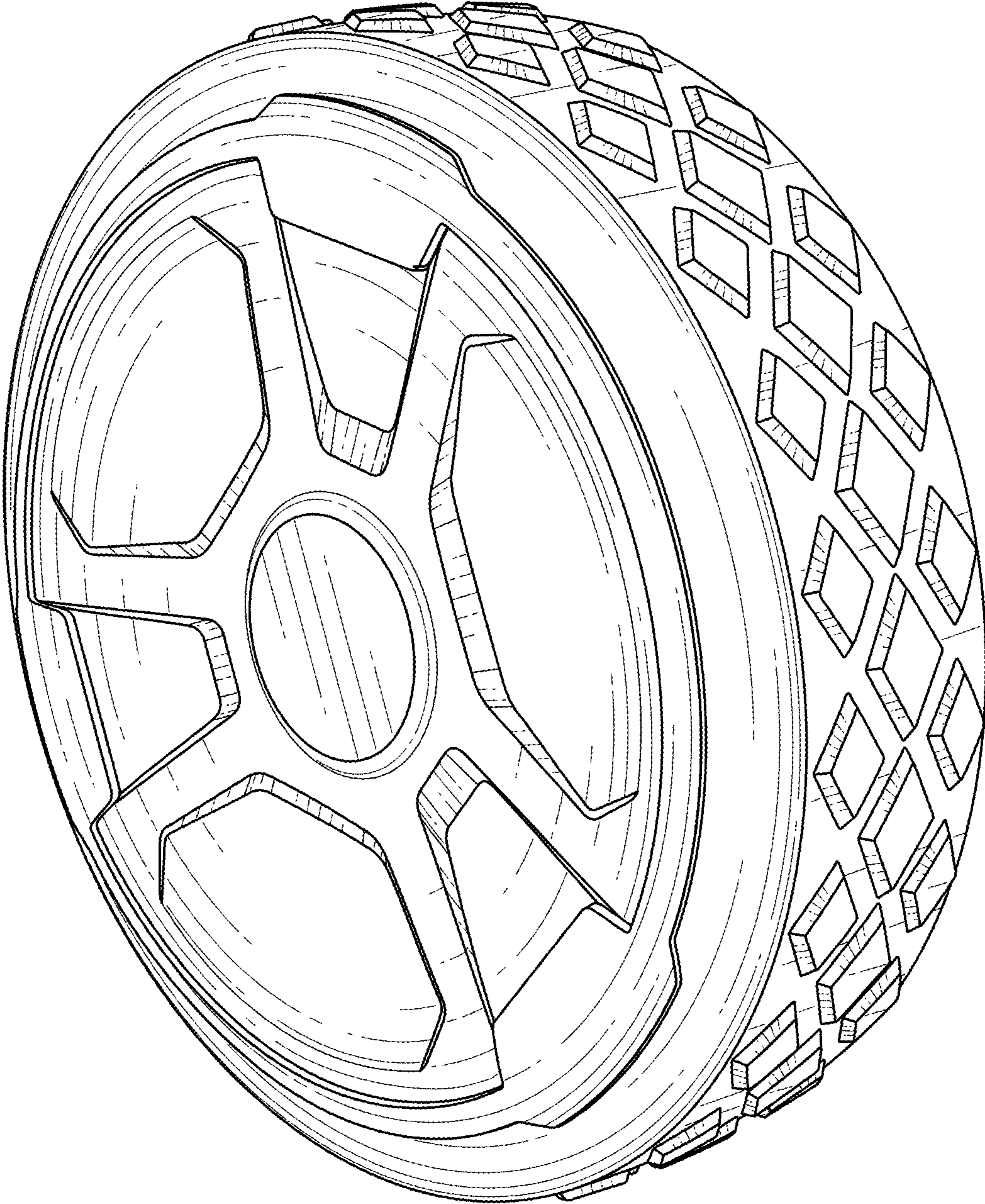


FIG. 1

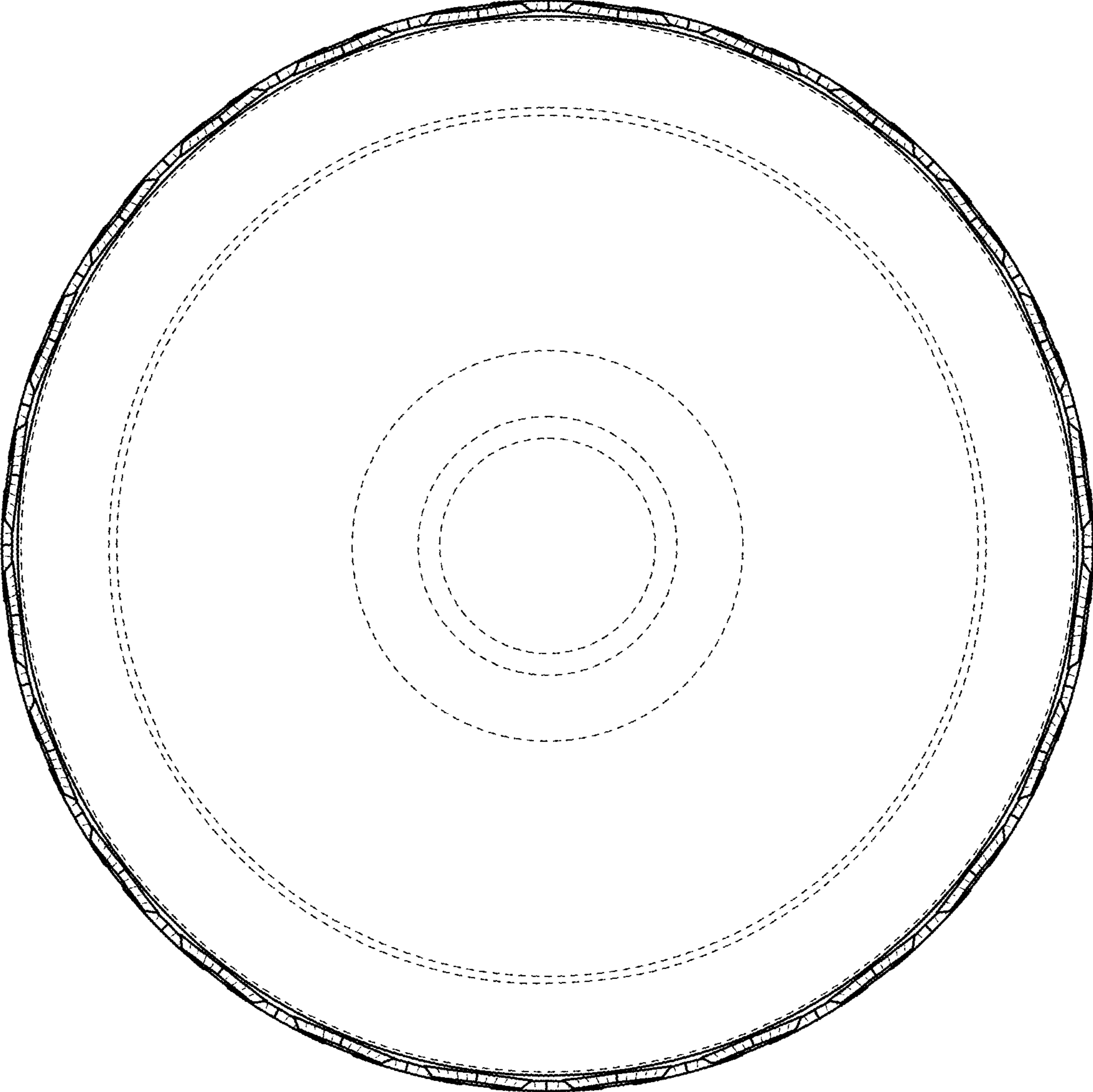


FIG. 2

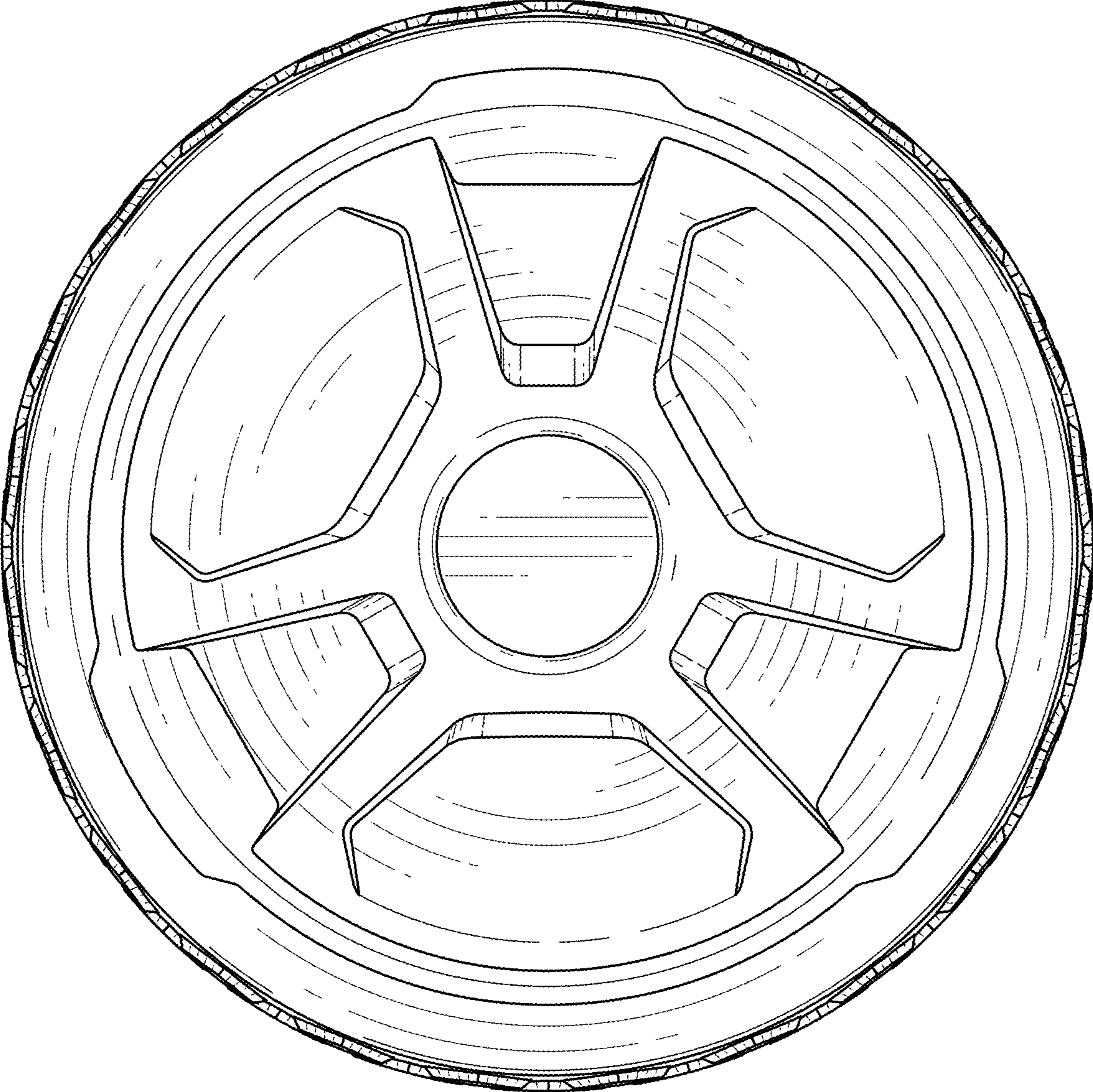


FIG. 3

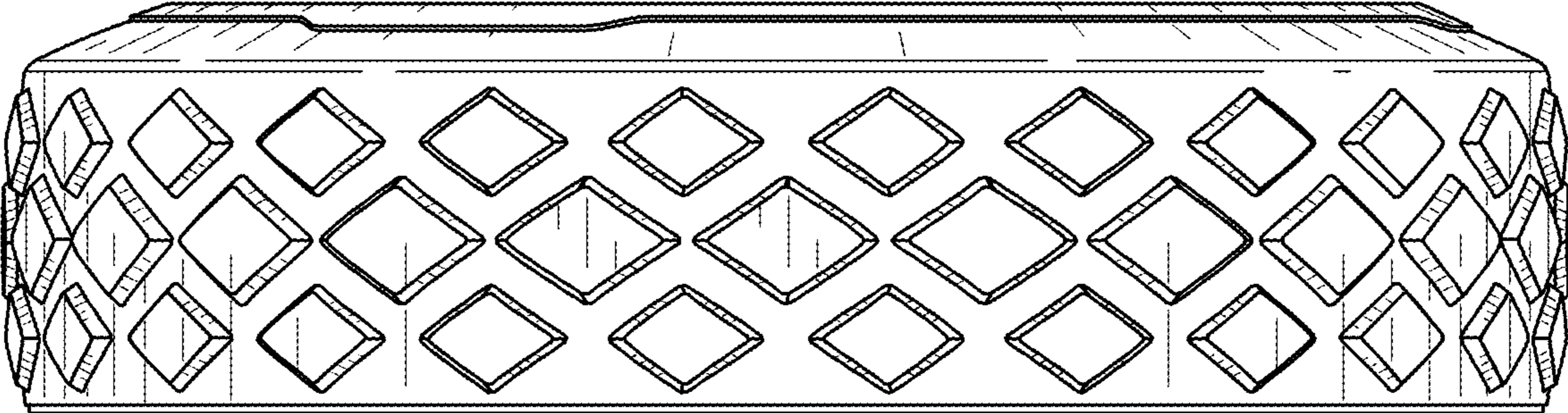


FIG. 4

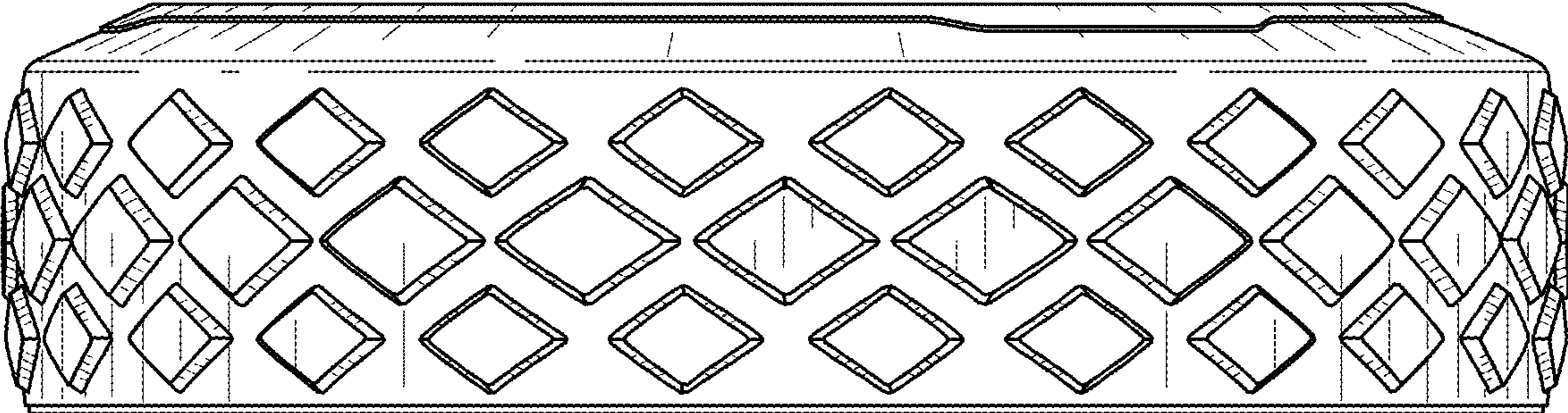


FIG. 5

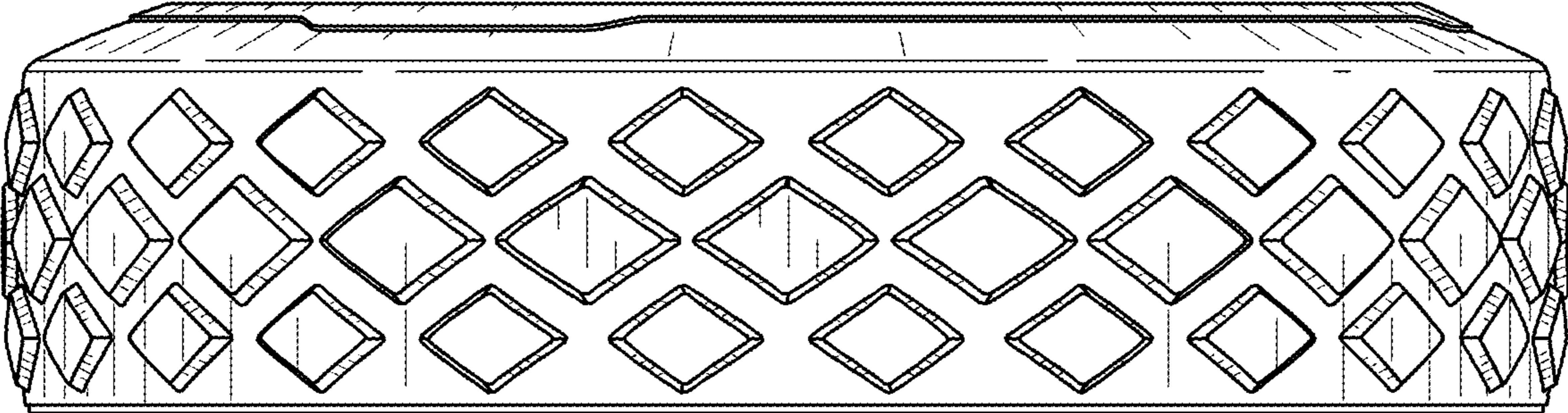


FIG. 6

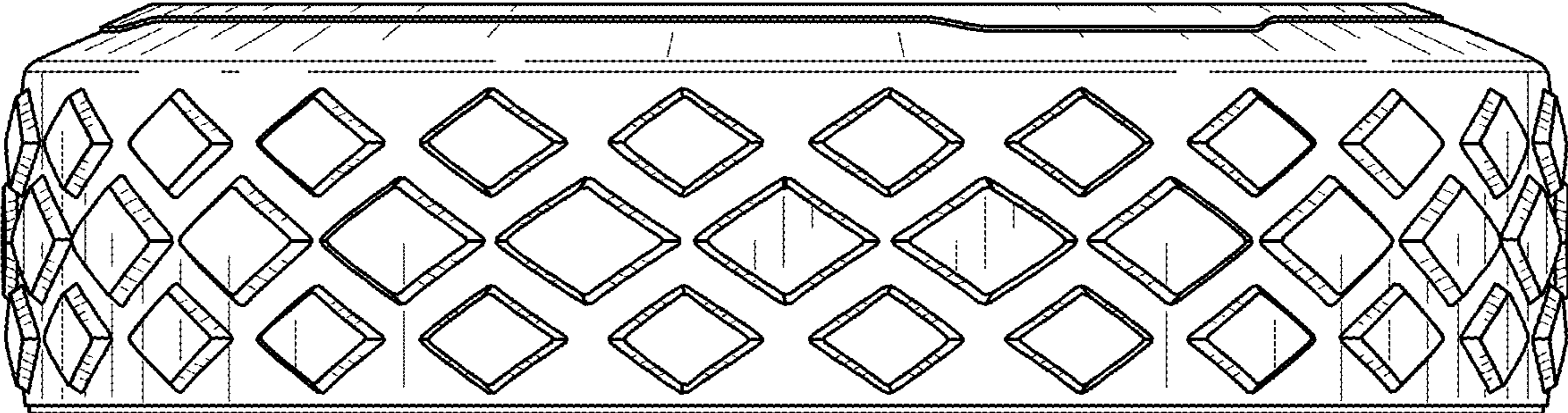


FIG. 7