



US00D958048S

(12) **United States Design Patent**  
**Abdel-Aziz Abdalla (Sheikh Dorra)**

(10) **Patent No.:** **US D958,048 S**

(45) **Date of Patent:** **\*\* Jul. 19, 2022**

(54) **SEAT BACK DEVICE HOLDING APPARATUS**

(71) Applicant: **Anas Abdel-Aziz Abdalla (Sheikh Dorra)**, Riyadh (SA)

(72) Inventor: **Anas Abdel-Aziz Abdalla (Sheikh Dorra)**, Riyadh (SA)

(\*\*) Term: **15 Years**

(21) Appl. No.: **29/680,622**

(22) Filed: **Feb. 18, 2019**

(51) **LOC (13) Cl.** ..... **12-16**

(52) **U.S. Cl.**  
USPC ..... **D12/420**

(58) **Field of Classification Search**  
USPC ..... D12/416, 415, 417, 418, 419, 423;  
D6/513, 514, 611, 553, 556, 559;  
D7/601, 602, 605-607; D3/216, 217, 319  
CPC .... B65D 33/00; B64D 11/0636; B60N 3/004;  
B60R 7/14; B60R 7/08  
See application file for complete search history.

(56) **References Cited**

**U.S. PATENT DOCUMENTS**

D248,909 S *	8/1978	Frazian .....	D6/558
D251,229 S *	3/1979	Wooters .....	D12/420
D286,344 S *	10/1986	Hughes, Jr. ....	D8/371
D298,884 S *	12/1988	Rychlock .....	D12/420
D303,454 S *	9/1989	Morales .....	D12/420
D307,669 S *	5/1990	Inouye .....	D12/420

D317,982 S *	7/1991	Morales .....	D12/420
D326,589 S *	6/1992	White .....	D34/16
D337,199 S *	7/1993	Ochs .....	D7/619.2
D354,988 S *	1/1995	Garza .....	D6/552
D370,681 S *	6/1996	Diamond .....	D19/87
5,678,741 A *	10/1997	Schieber .....	B60N 3/004 D12/416
D422,261 S *	4/2000	Basso .....	D12/420

\* cited by examiner

*Primary Examiner* — Katrina A Betton

(74) *Attorney, Agent, or Firm* — Bekiares Eliezer LLP

(57) **CLAIM**

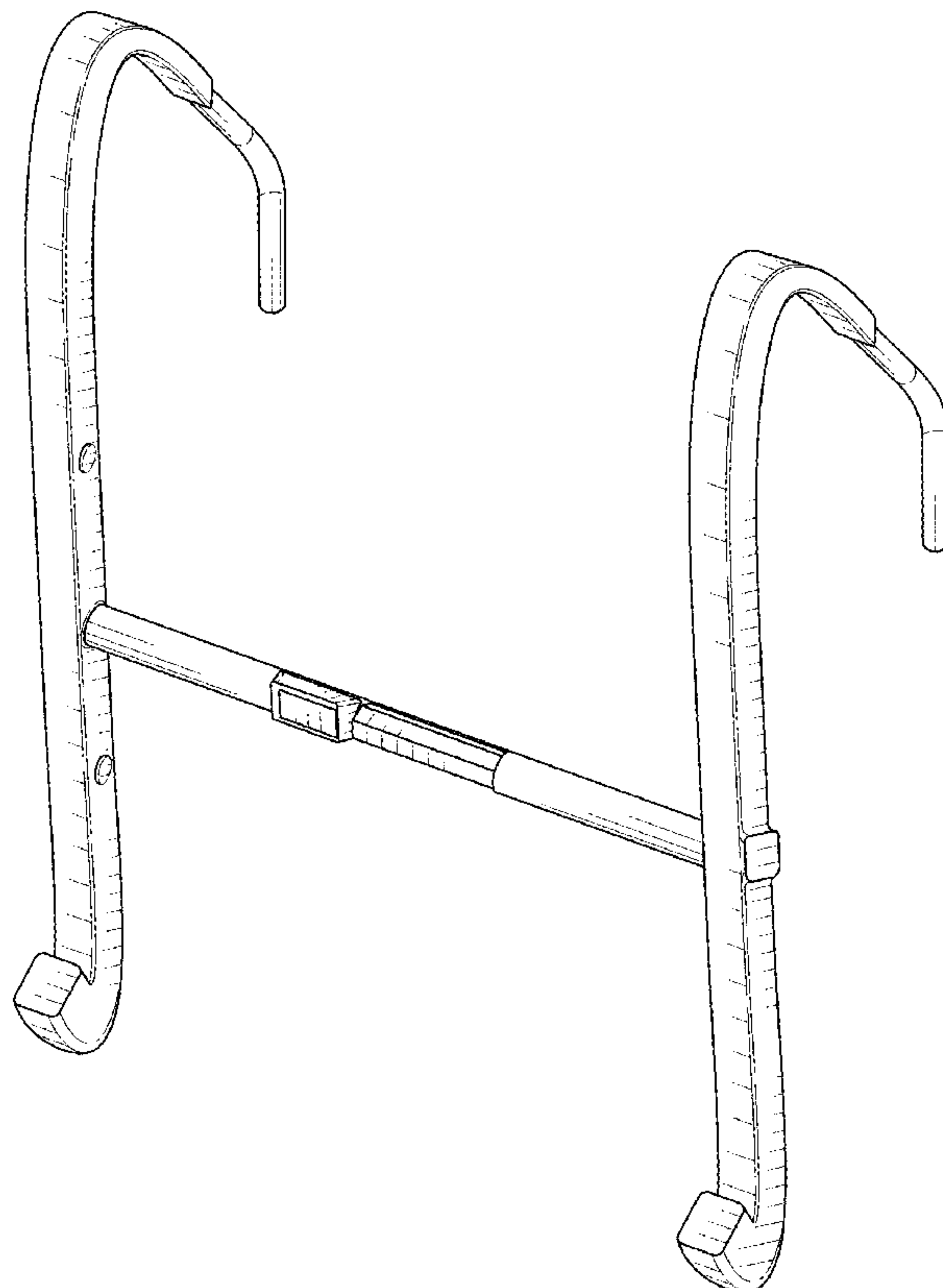
The ornamental design for a seat back device holding apparatus, as shown.

**DESCRIPTION**

FIG. 1 is a perspective view of a seat back device holding apparatus showing my new design;  
FIG. 2 is a front view thereof;  
FIG. 3 is a back view thereof  
FIG. 4 is a side view thereof;  
FIG. 5 is a top view thereof;  
FIG. 6 is a bottom view thereof;  
FIG. 7 is another perspective view thereof; and,  
FIG. 8 is another side view thereof.

The broken lines illustrate portions of the seat back device holding apparatus or environmental structure that do not form a part of the claimed design.

**1 Claim, 8 Drawing Sheets**



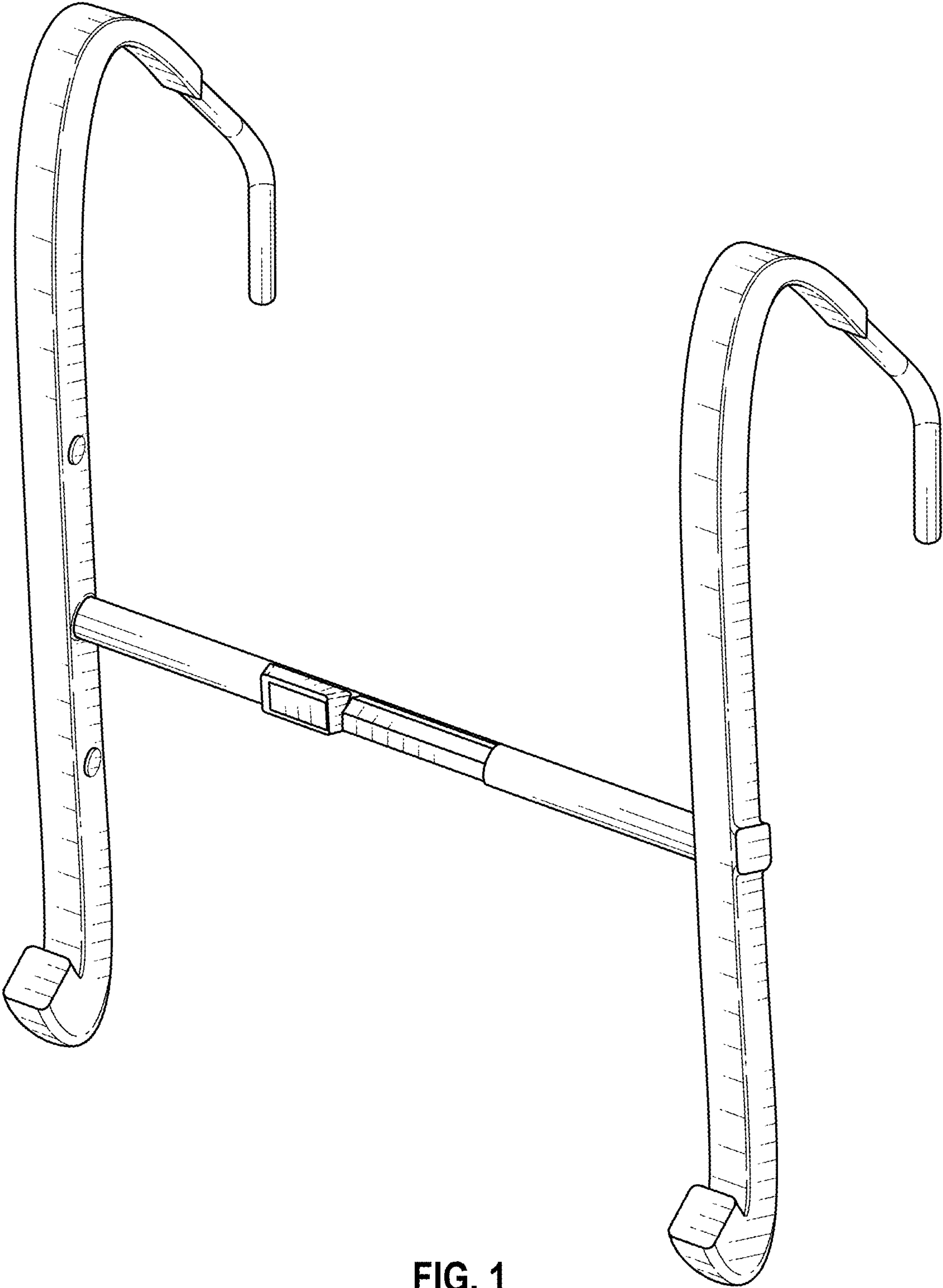


FIG. 1

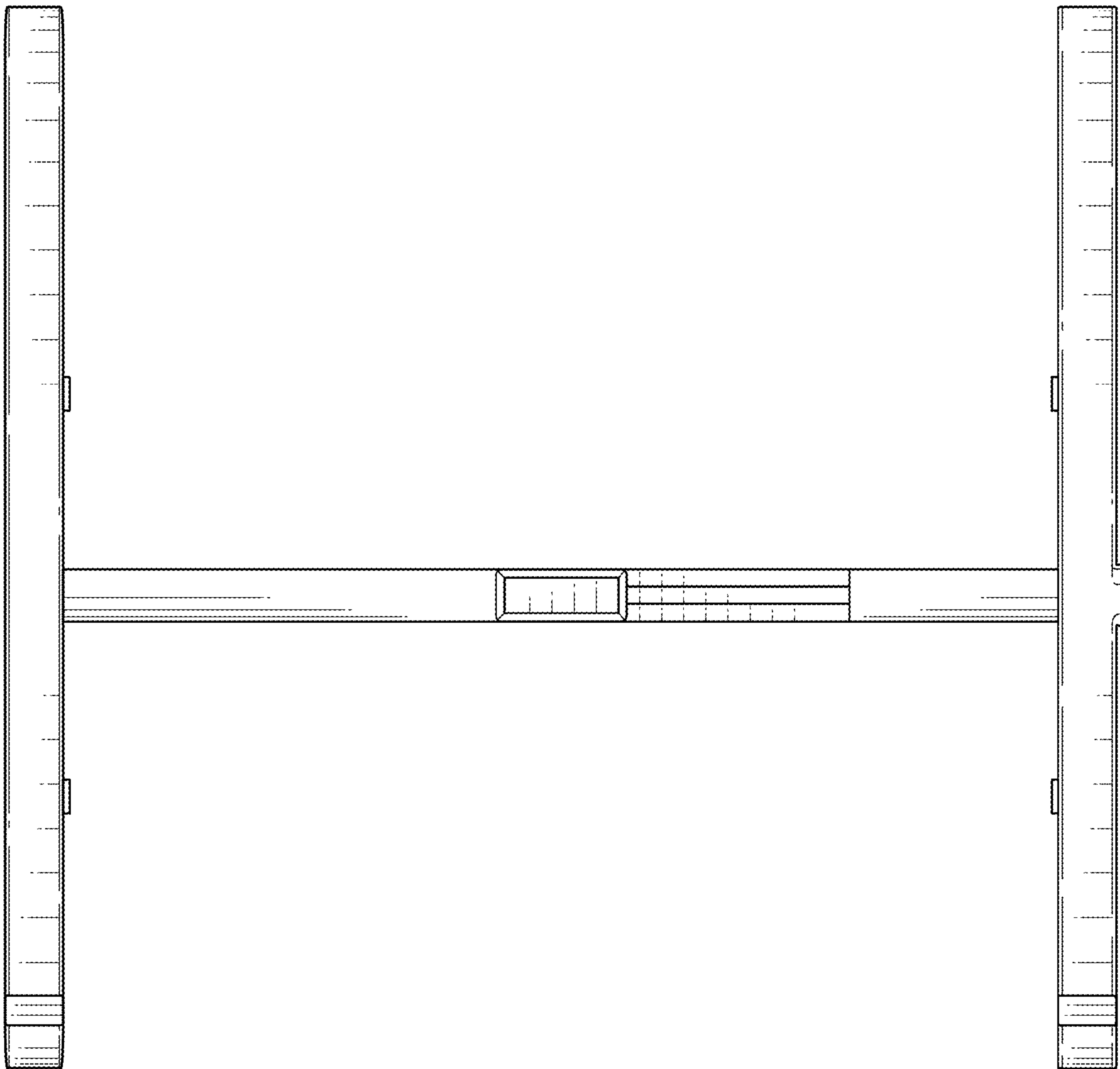


FIG. 2

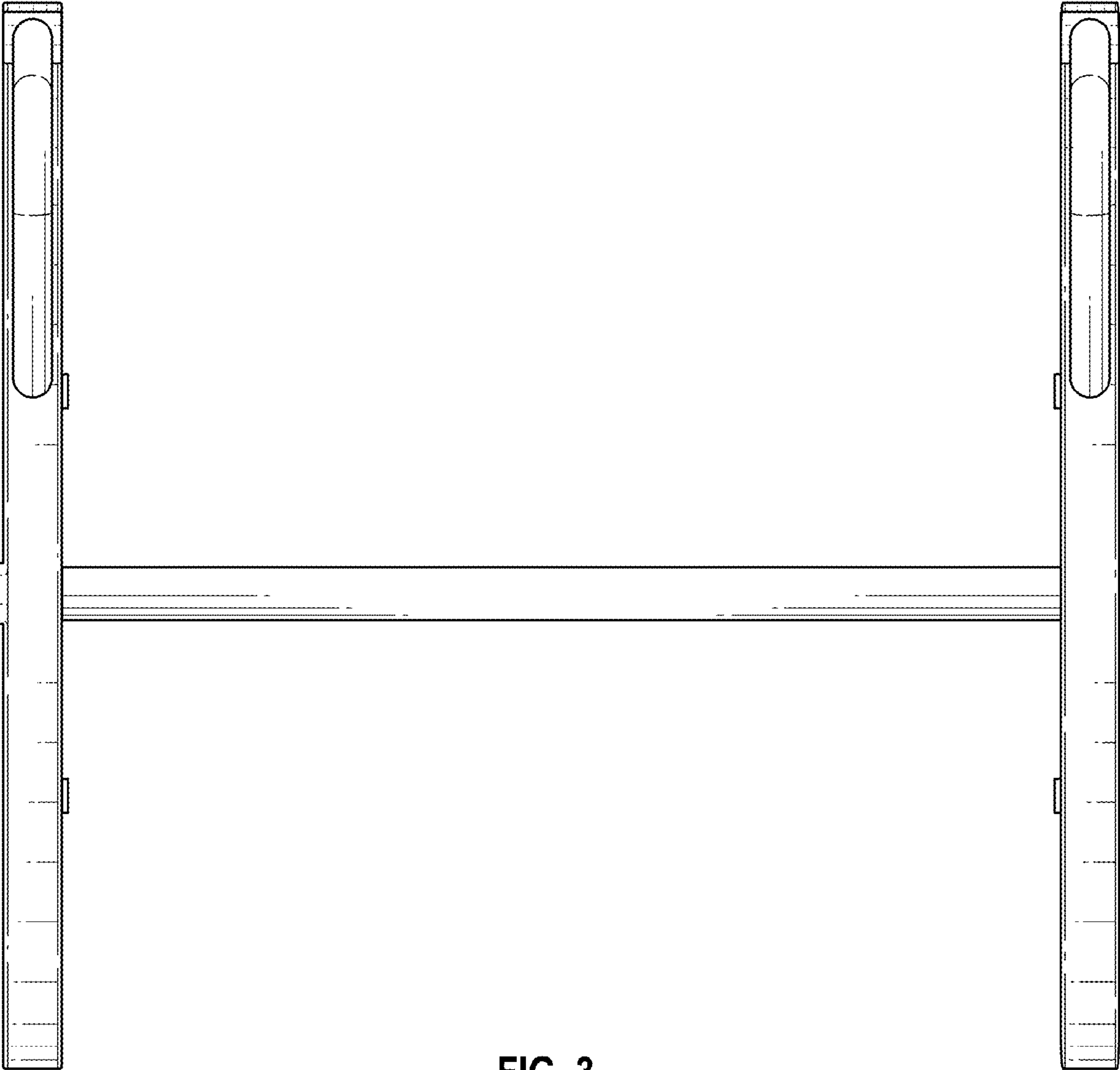


FIG. 3

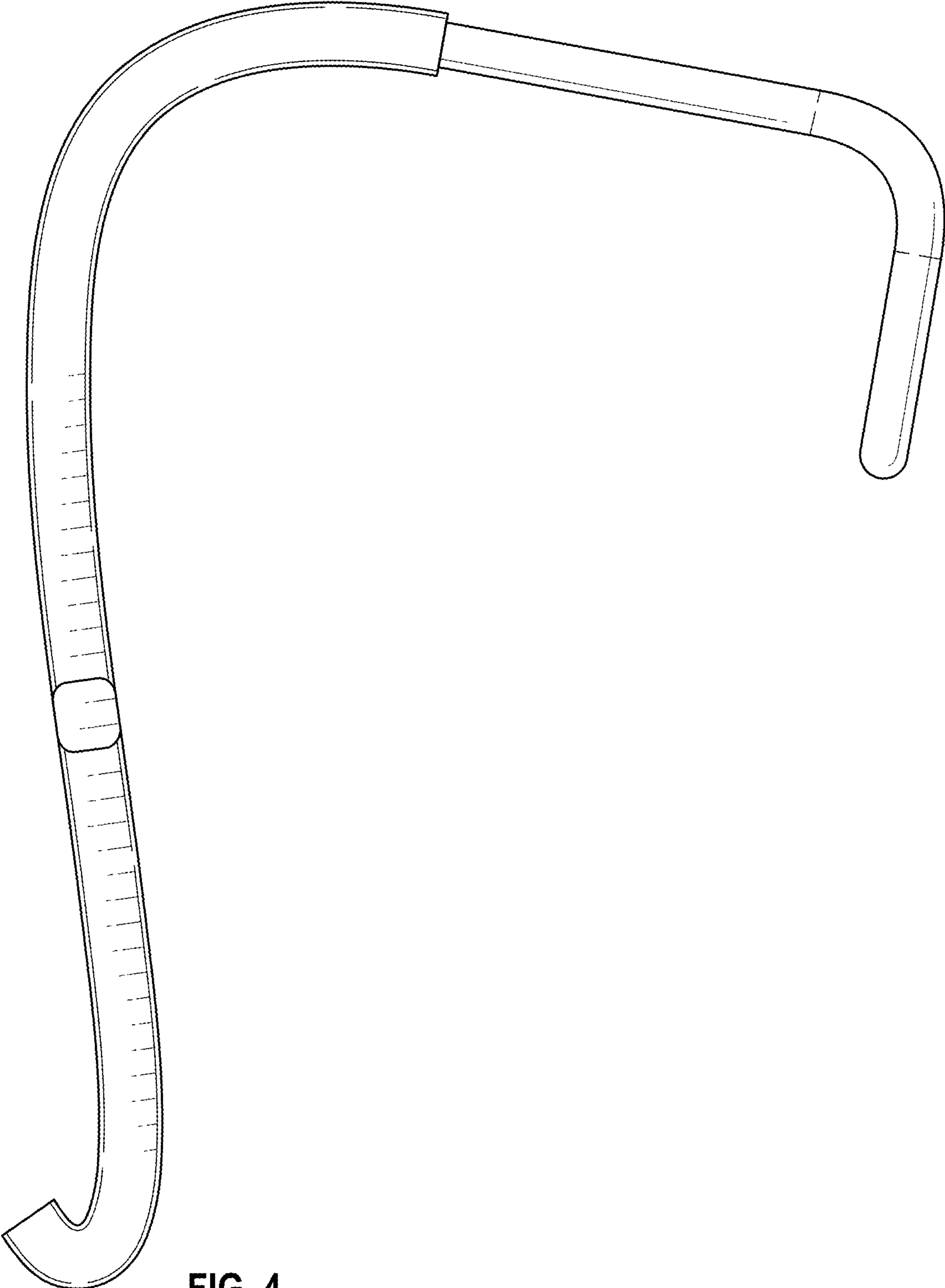


FIG. 4

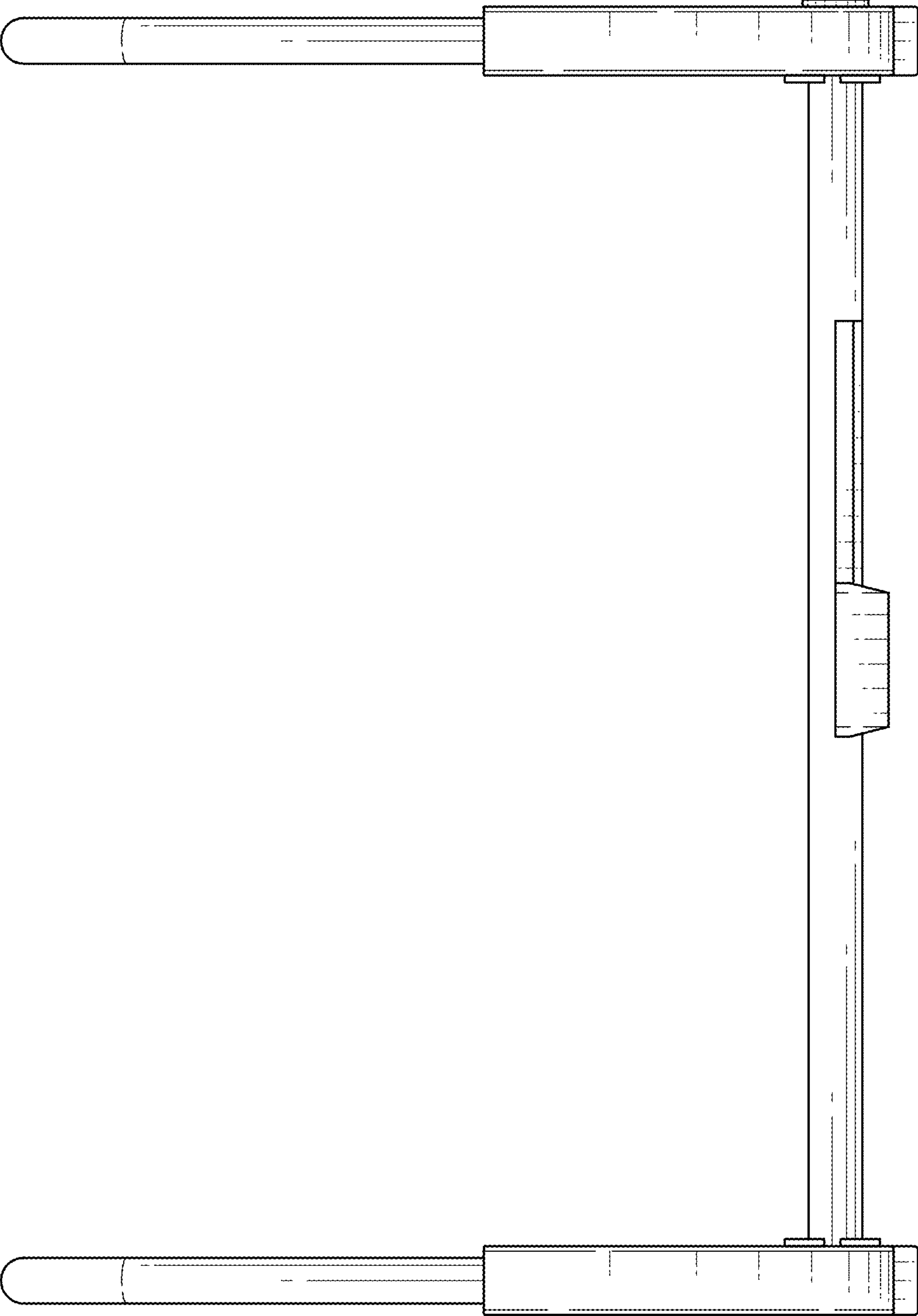


FIG. 5

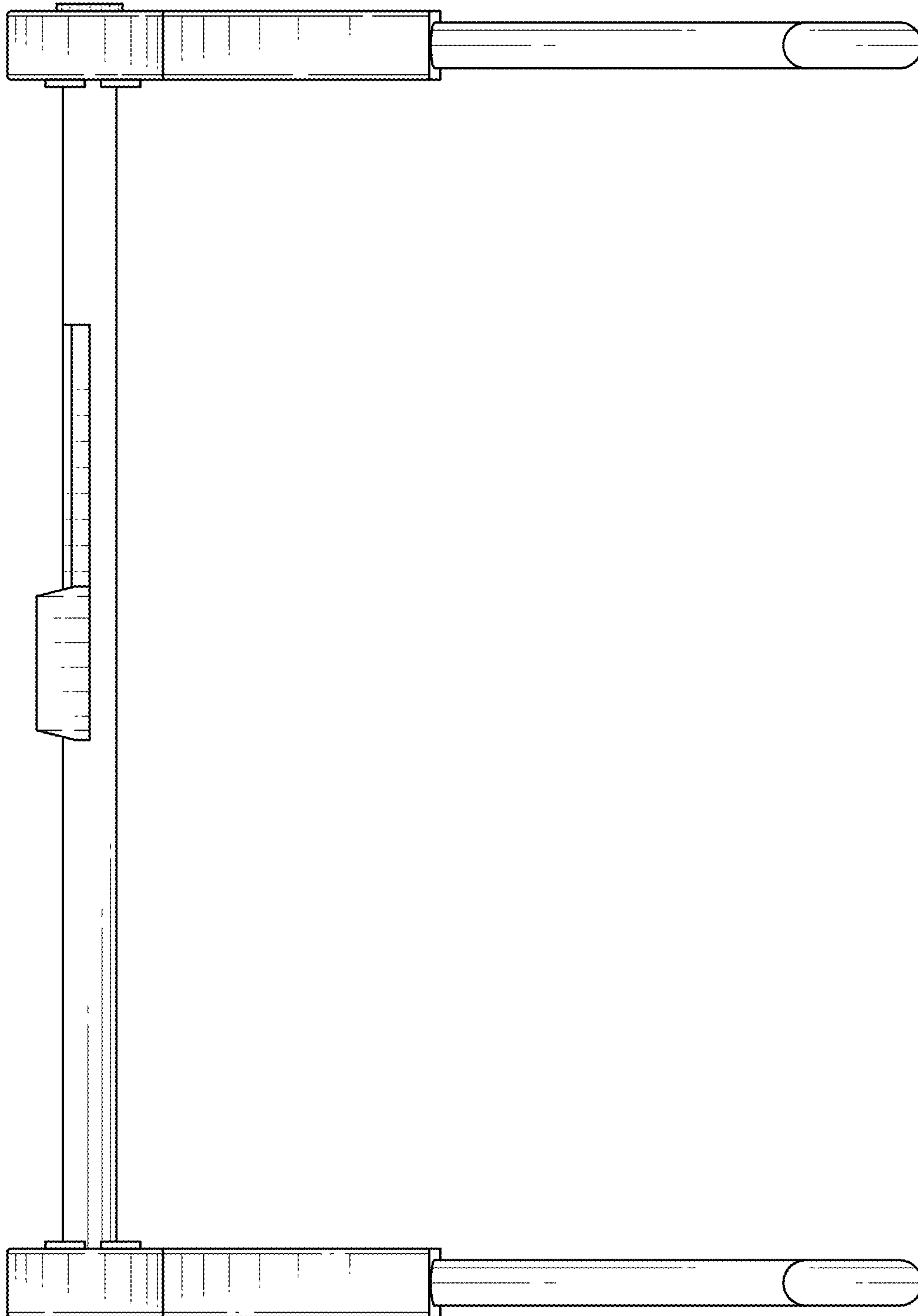


FIG. 6



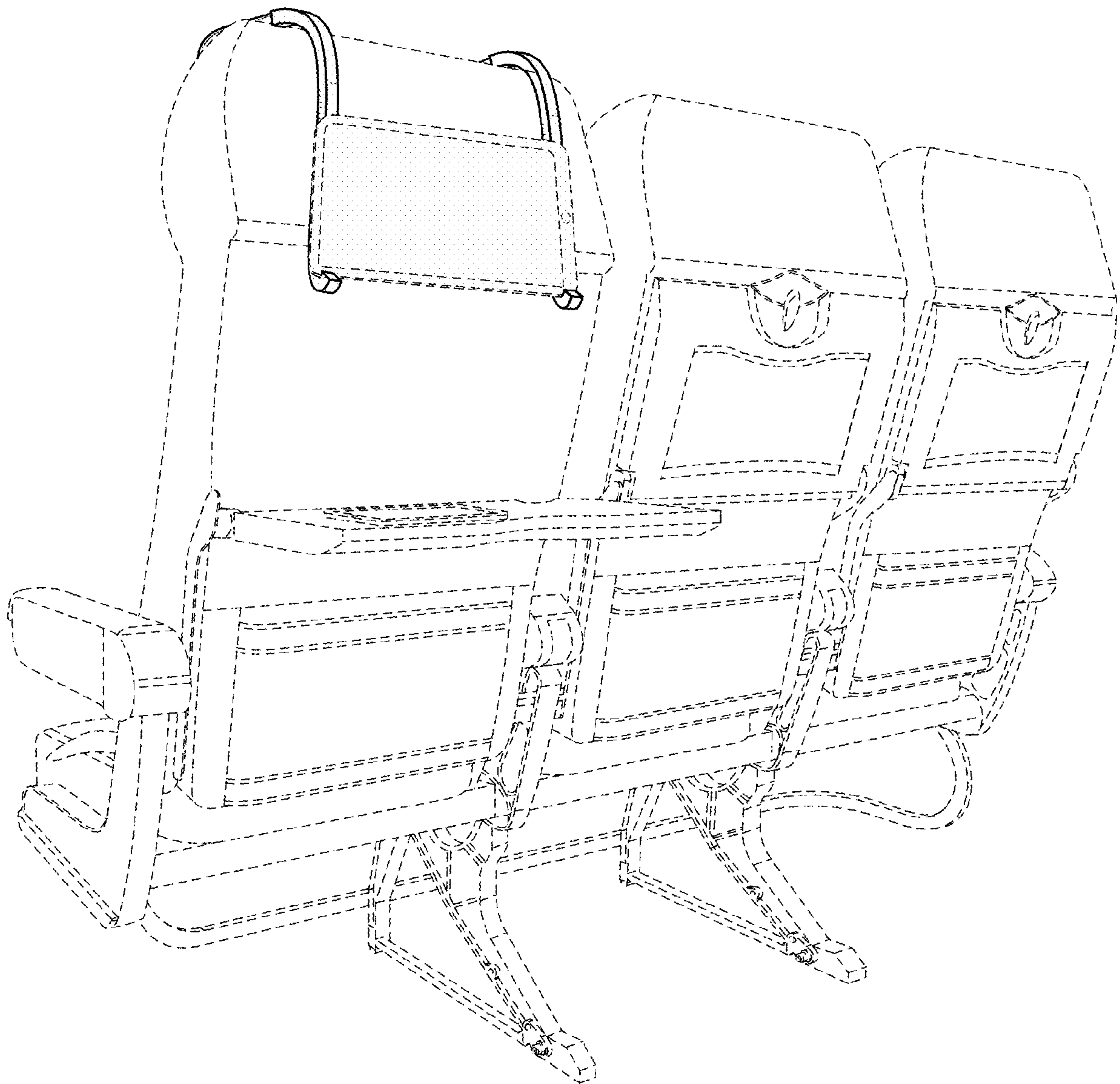


FIG. 7



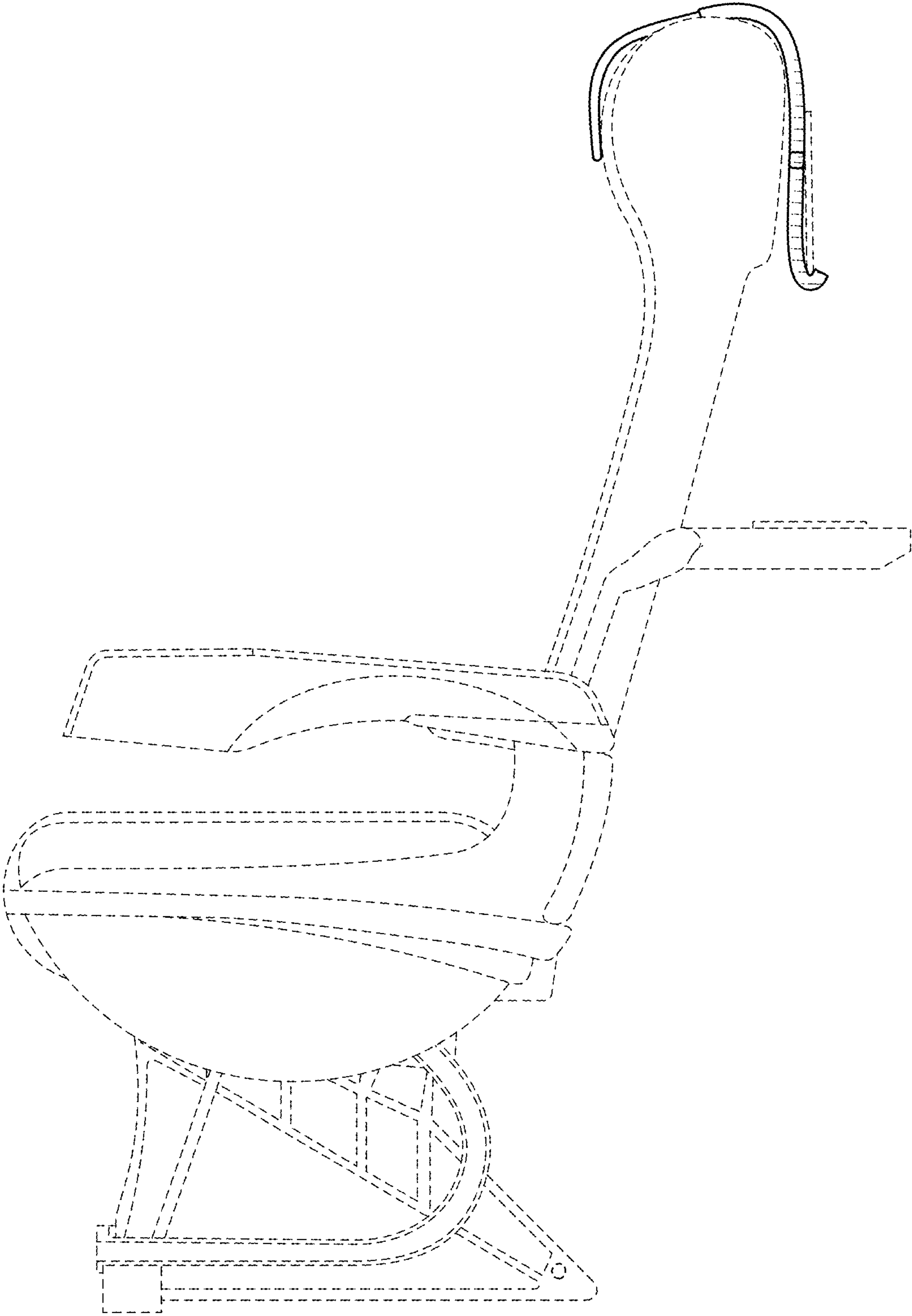


FIG. 8