



US00D958046S

(12) **United States Design Patent**
Fang

(10) **Patent No.:** **US D958,046 S**

(45) **Date of Patent:** **** Jul. 19, 2022**

(54) **BICYCLE BAG**

(71) Applicant: **Wanying Fang**, Dongguan (CN)

(72) Inventor: **Wanying Fang**, Dongguan (CN)

(**) Term: **15 Years**

(21) Appl. No.: **29/812,557**

(22) Filed: **Oct. 22, 2021**

(51) **LOC (13) Cl.** **12-16**

(52) **U.S. Cl.**
USPC **D12/409**

(58) **Field of Classification Search**
USPC D12/407, 409, 410, 114, 111, 110;
D3/231, 273
CPC B62J 9/00; B62J 9/001; B62J 9/20; B62J
9/23; B62J 9/26; B62J 7/00; B62J 7/04;
B62J 11/00
See application file for complete search history.

(56) **References Cited**

U.S. PATENT DOCUMENTS

| | | | | |
|---------------|---------|----------|-------|-----------|
| D243,943 S * | 4/1977 | Harris | | D12/409 |
| D271,758 S * | 12/1983 | Ervin | | D12/410 |
| D282,061 S | 1/1986 | Abe | | |
| 4,643,343 A * | 2/1987 | Goldman | | B62J 9/26 |
| | | | | 224/427 |
| 5,127,563 A * | 7/1992 | Chan | | B62J 9/26 |
| | | | | 224/438 |
| D331,557 S * | 12/1992 | Hurt | | D12/409 |
| D336,740 S * | 6/1993 | Graf | | D12/409 |
| D336,878 S * | 6/1993 | Graf | | D12/409 |
| D339,095 S | 9/1993 | Anderson | | |
| D339,783 S * | 9/1993 | Delage | | D12/410 |
| 5,245,517 A * | 9/1993 | Fenton | | B62J 6/01 |
| | | | | 362/802 |
| D340,218 S * | 10/1993 | Delage | | D12/423 |
| D346,144 S * | 4/1994 | Katz | | D12/409 |
| D346,572 S * | 5/1994 | Honey | | D12/410 |
| D347,819 S * | 6/1994 | Katz | | D12/410 |

| | | | | |
|-----------------|---------|--------------|-------|-----------|
| D366,446 S * | 1/1996 | Berman | | D3/231 |
| D366,447 S * | 1/1996 | Berman | | D3/231 |
| D367,034 S | 2/1996 | Berman | | |
| D374,653 S * | 10/1996 | Yon | | D12/409 |
| D480,680 S | 10/2003 | Yonai et al. | | |
| D600,459 S | 9/2009 | Hanagan | | |
| D658,112 S * | 4/2012 | Cutino | | D12/409 |
| D665,570 S * | 8/2012 | Shrewsbury | | D3/205 |
| D696,180 S * | 12/2013 | Boyd | | D12/410 |
| D738,107 S * | 9/2015 | Adler | | D3/289 |
| D738,108 S * | 9/2015 | Adler | | D3/289 |
| D760,148 S * | 6/2016 | Zwetzig | | D3/273 |
| D764,411 S * | 8/2016 | Sondors | | D13/119 |
| 9,840,295 B1 * | 12/2017 | Chuang | | B62J 9/26 |
| D869,844 S * | 12/2019 | Eliyahu | | D3/294 |
| 10,604,204 B2 * | 3/2020 | Chee | | B62J 9/26 |

* cited by examiner

Primary Examiner — Michelle E. Wilson

Assistant Examiner — Clese Moore, Jr.

(74) *Attorney, Agent, or Firm* — Zhihua Han; Wen IP LLC

(57) **CLAIM**

The ornamental design for a bicycle bag, as shown and described.

DESCRIPTION

FIG. 1 is a front, top, and left side perspective view of a bicycle bag, showing my new design;
FIG. 2 is a left side elevation view thereof;
FIG. 3 is a right side elevation view thereof;
FIG. 4 is a top plan view thereof;
FIG. 5 is a bottom plan view thereof;
FIG. 6 is a front elevation view thereof;
FIG. 7 is a rear elevation view thereof;
FIG. 8 is a rear, top and right side perspective view thereof;
and,
FIG. 9 is a rear, bottom and left side perspective view thereof.

1 Claim, 9 Drawing Sheets





FIG. 1

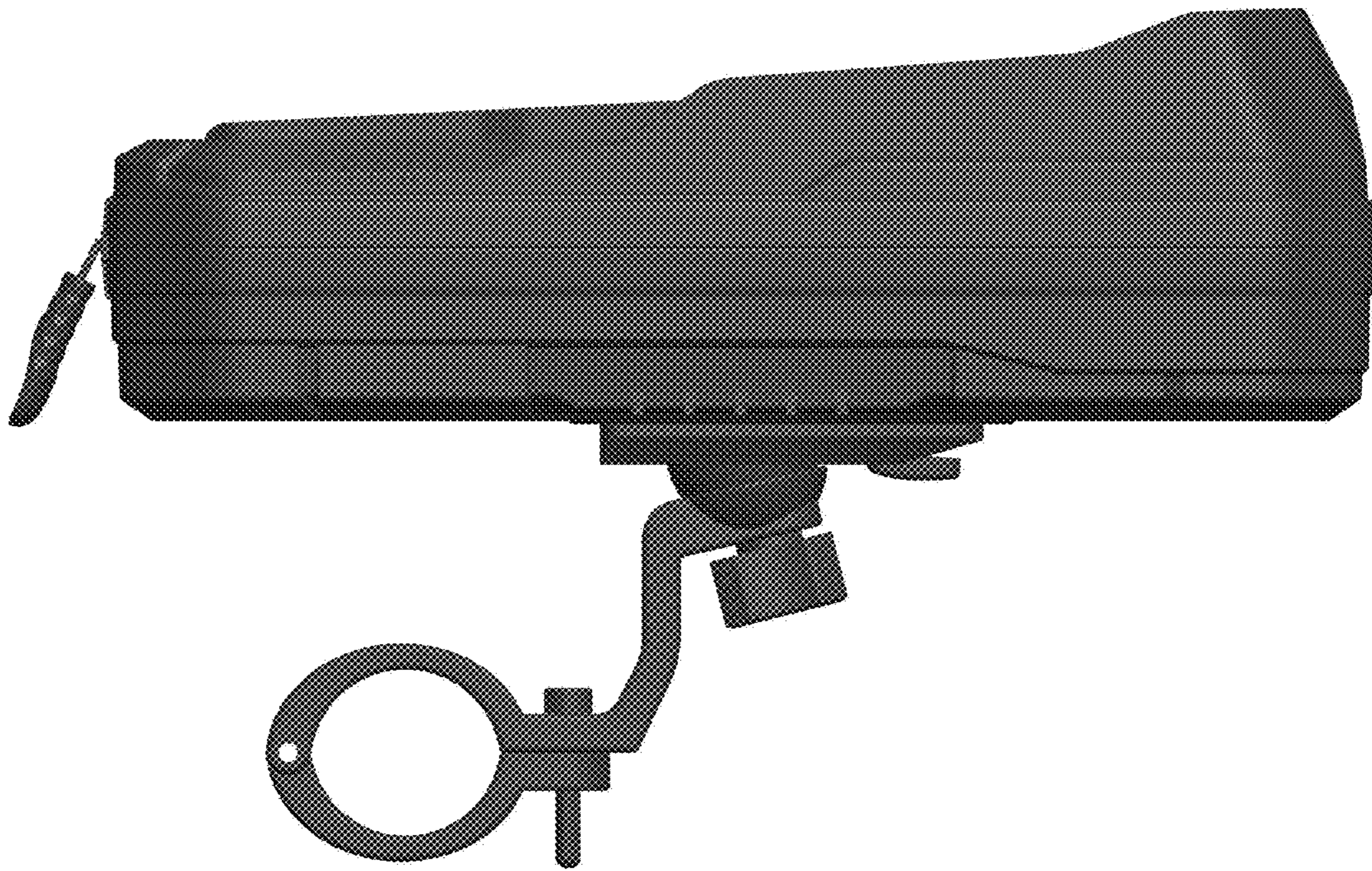


FIG. 2

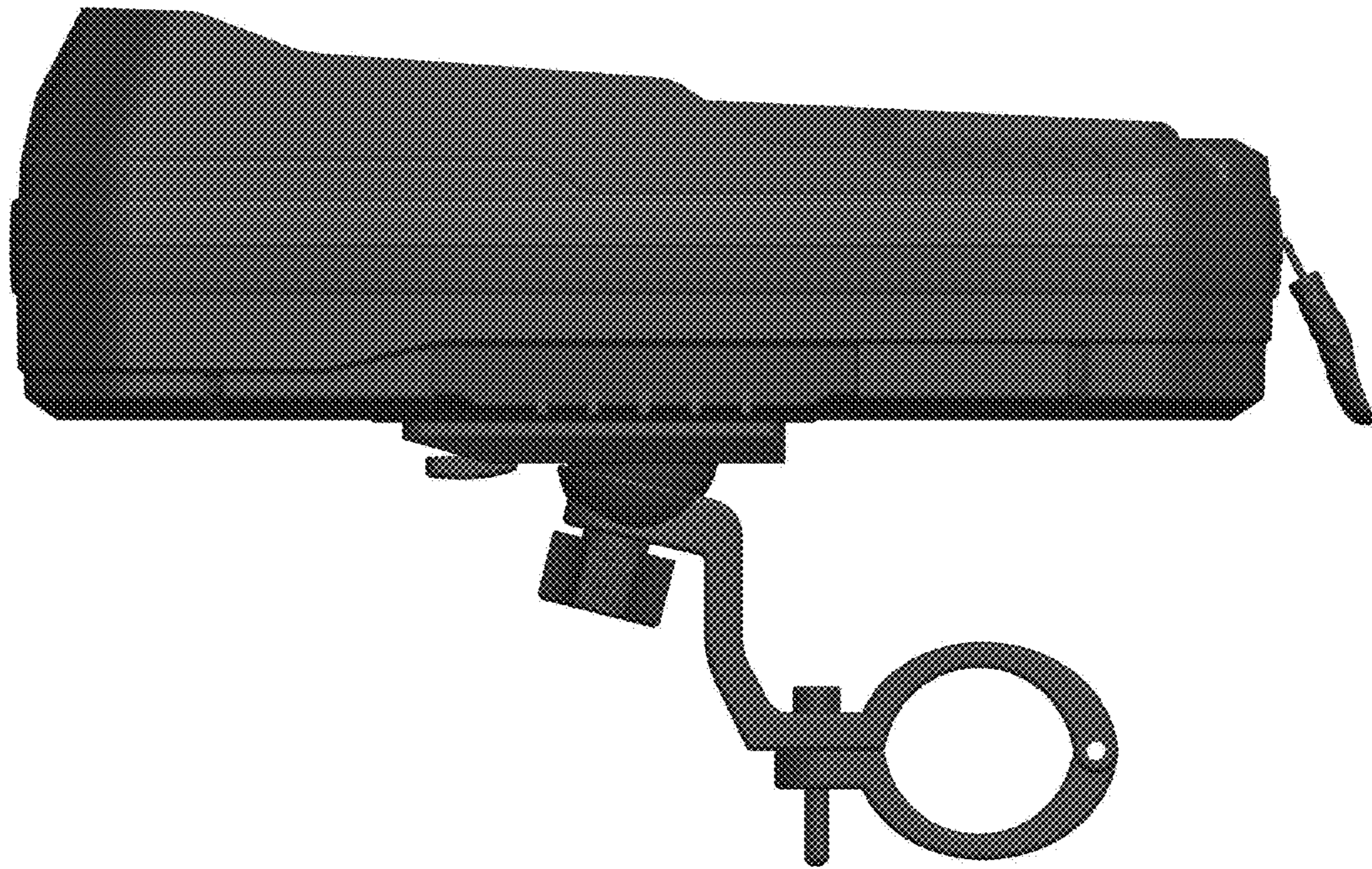


FIG. 3

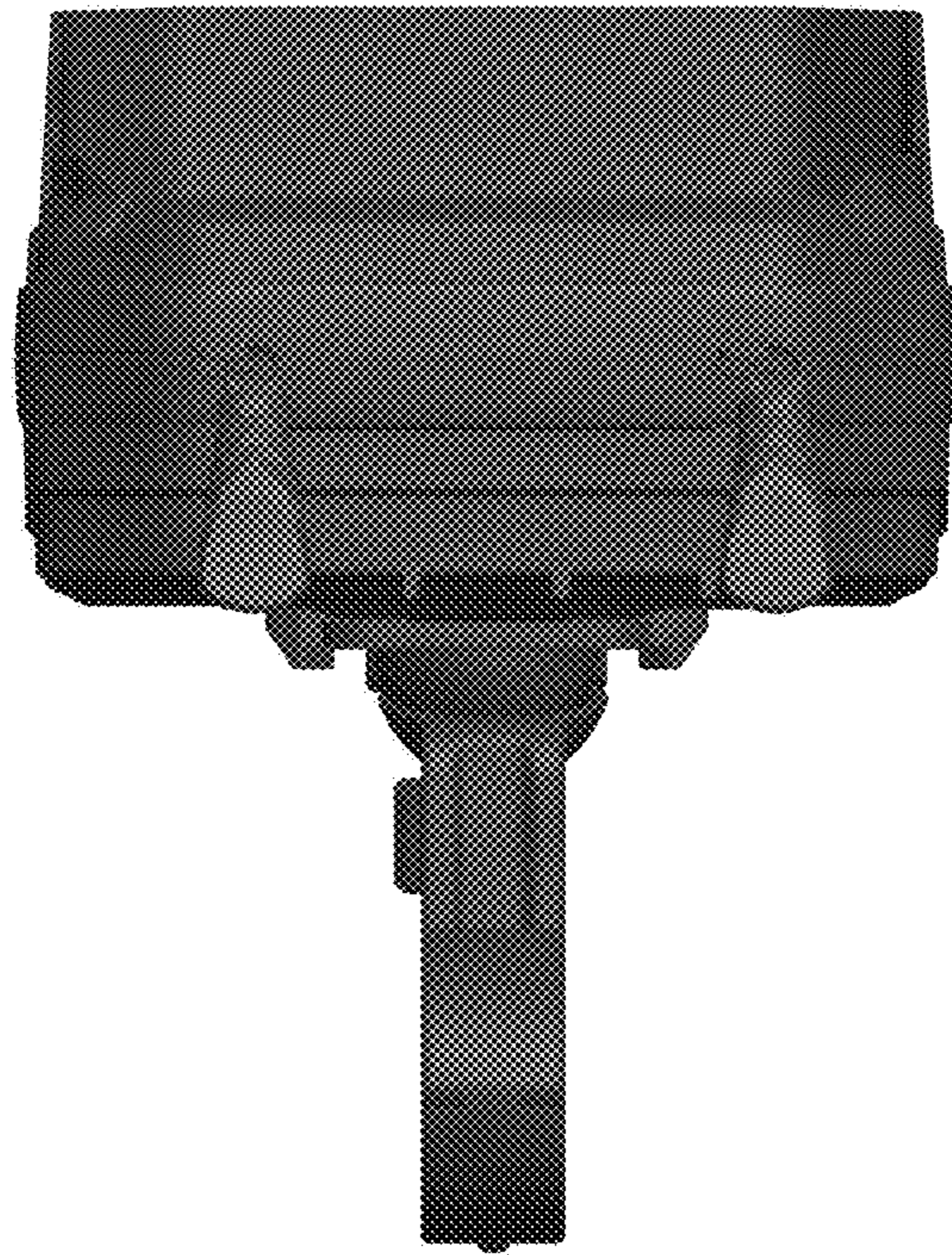


FIG. 4



FIG. 5

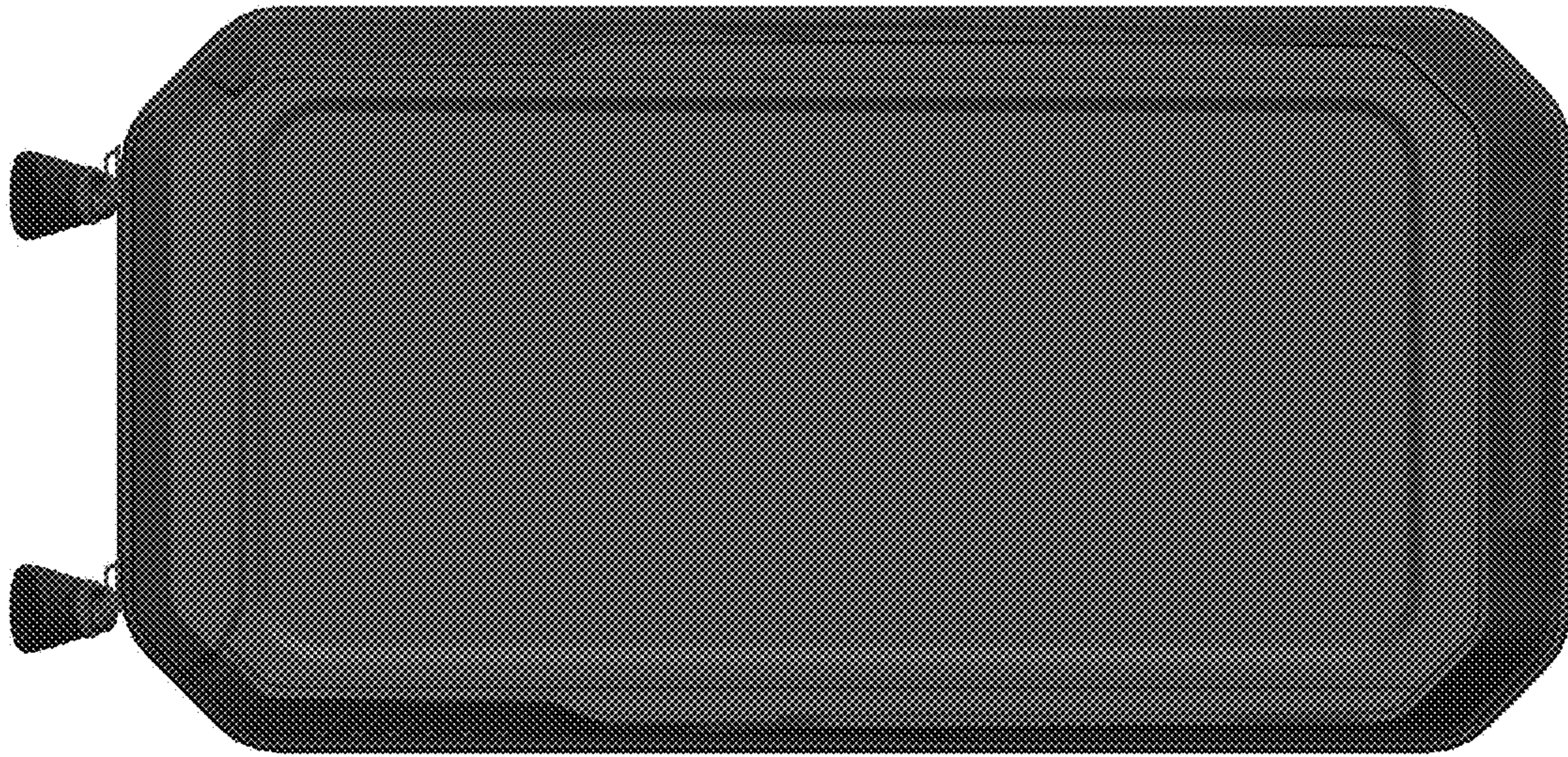


FIG. 6

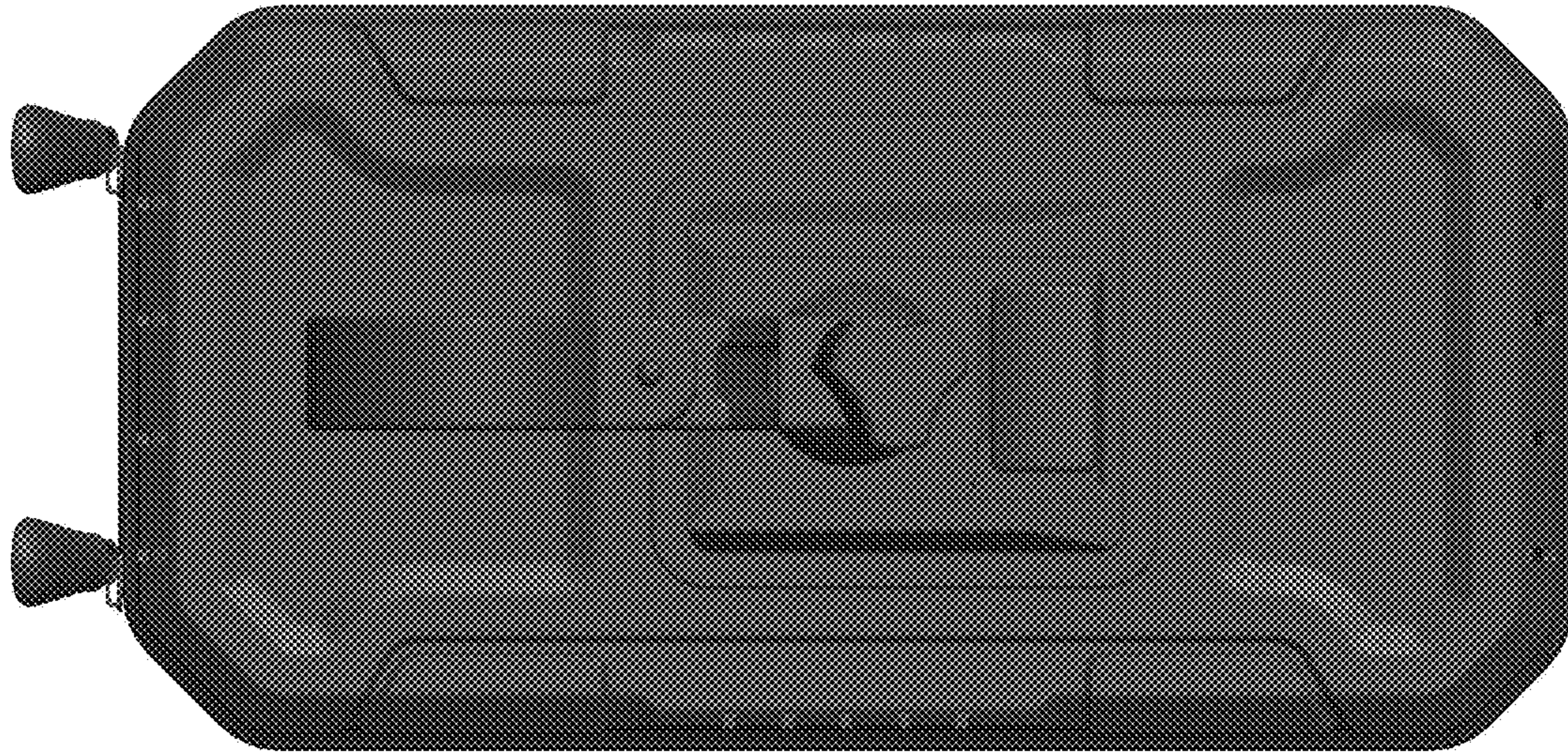


FIG. 7



FIG. 8



FIG. 9