



US00D958045S

(12) **United States Design Patent**  
**Fang**

(10) **Patent No.:** **US D958,045 S**

(45) **Date of Patent:** **\*\* Jul. 19, 2022**

(54) **BICYCLE BAG**

(71) Applicant: **Wanying Fang**, Dongguan (CN)

(72) Inventor: **Wanying Fang**, Dongguan (CN)

(\*\*) Term: **15 Years**

(21) Appl. No.: **29/812,556**

(22) Filed: **Oct. 22, 2021**

(51) **LOC (13) Cl.** ..... **12-16**

(52) **U.S. Cl.**  
USPC ..... **D12/409**

(58) **Field of Classification Search**  
USPC ..... D12/407, 409, 410, 114, 111, 110;  
D3/231, 273  
CPC ..... B62J 9/00; B62J 9/001; B62J 9/20; B62J  
9/23; B62J 9/26; B62J 7/00; B62J 7/04;  
B62J 11/00  
See application file for complete search history.

(56) **References Cited**

**U.S. PATENT DOCUMENTS**

D243,943 S *	4/1977	Harris	.....	D12/409
D271,758 S *	12/1983	Ervin	.....	D12/410
D282,061 S	1/1986	Abe		
4,643,343 A *	2/1987	Goldman	.....	B62J 9/26 224/427
5,127,563 A *	7/1992	Chan	.....	B62J 9/26 224/438
D331,557 S *	12/1992	Hurt	.....	D12/409
D336,740 S *	6/1993	Graf	.....	D12/409
D336,878 S *	6/1993	Graf	.....	D12/409
D339,095 S	9/1993	Anderson		
D339,783 S *	9/1993	Delage	.....	D12/410
5,245,517 A *	9/1993	Fenton	.....	B62J 6/01 362/802
D340,218 S *	10/1993	Delage	.....	D12/423
D346,144 S *	4/1994	Katz	.....	D12/409
D346,572 S *	5/1994	Honey	.....	D12/410

D347,819 S *	6/1994	Katz	.....	D12/410
D366,446 S *	1/1996	Berman	.....	D3/231
D366,447 S *	1/1996	Berman	.....	D3/231
D367,034 S	2/1996	Berman		
D374,653 S *	10/1996	Yon	.....	D12/409
D480,680 S	10/2003	Yonai et al.		
D600,459 S	9/2009	Hanagan		
D658,112 S *	4/2012	Cutino	.....	D12/409
D665,570 S *	8/2012	Shrewsbury	.....	D3/205
D696,180 S *	12/2013	Boyd	.....	D12/410
D738,107 S *	9/2015	Adler	.....	D3/289
D738,108 S *	9/2015	Adler	.....	D3/289
D760,148 S *	6/2016	Zwetzig	.....	D3/273
D764,411 S *	8/2016	Sondors	.....	D13/119
9,840,295 B1 *	12/2017	Chuang	.....	B62J 9/26
D869,844 S *	12/2019	Eliyahu	.....	D3/294
10,604,204 B2 *	3/2020	Chee	.....	B62J 9/26

\* cited by examiner

*Primary Examiner* — Michelle E. Wilson

*Assistant Examiner* — Clese Moore, Jr.

(74) *Attorney, Agent, or Firm* — Zhihua Han; Wen IP LLC

(57) **CLAIM**

The ornamental design for a bicycle bag, as shown and described.

**DESCRIPTION**

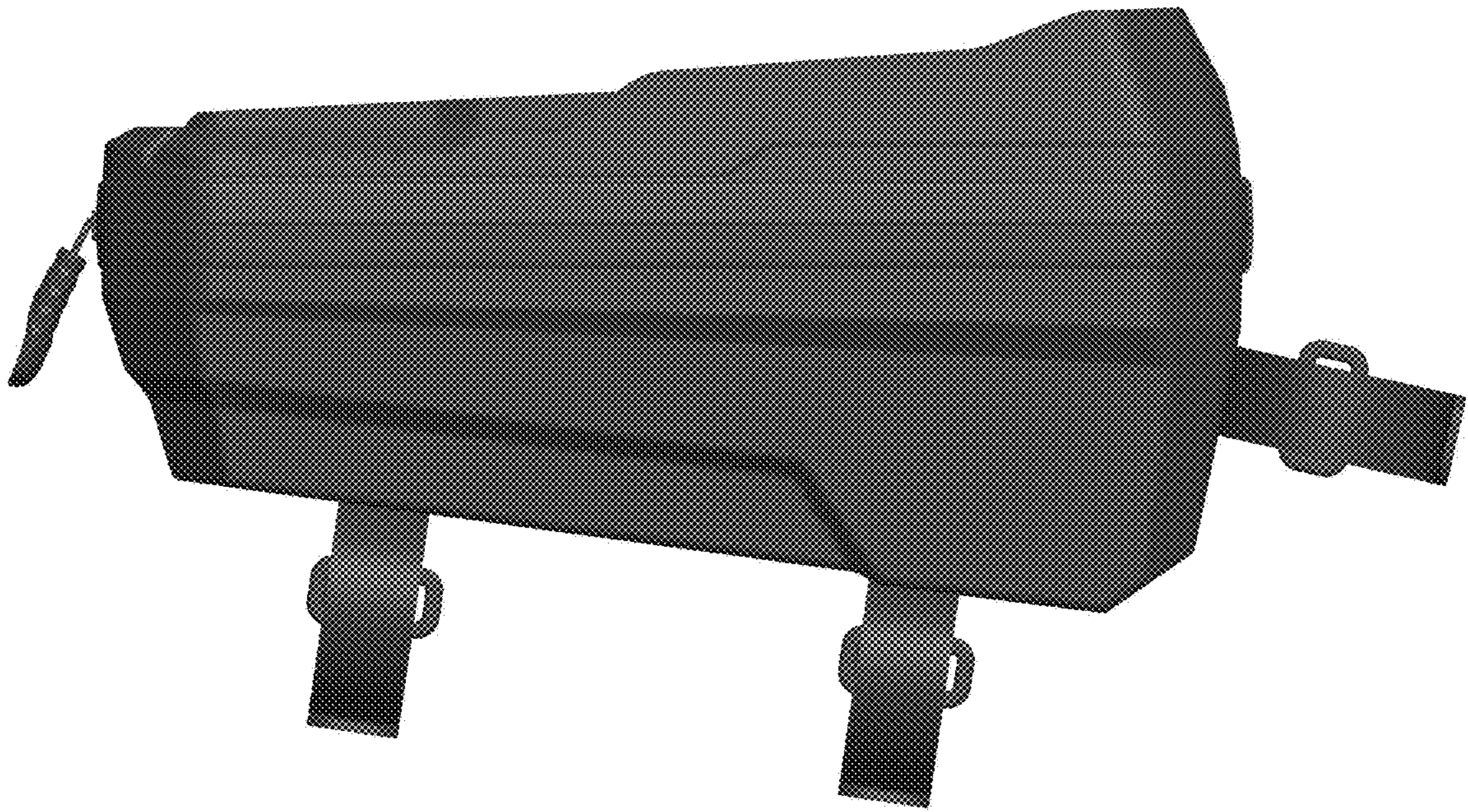
FIG. 1 is a front, top, and left side perspective view of a bicycle bag, showing my new design; FIG. 2 is a left side elevation view thereof; FIG. 3 is a right side elevation view thereof; FIG. 4 is a top plan view thereof; FIG. 5 is a bottom plan view thereof; FIG. 6 is a front elevation view thereof; FIG. 7 is a rear elevation view thereof; and, FIG. 8 is a rear, bottom and left side perspective view thereof.

**1 Claim, 8 Drawing Sheets**

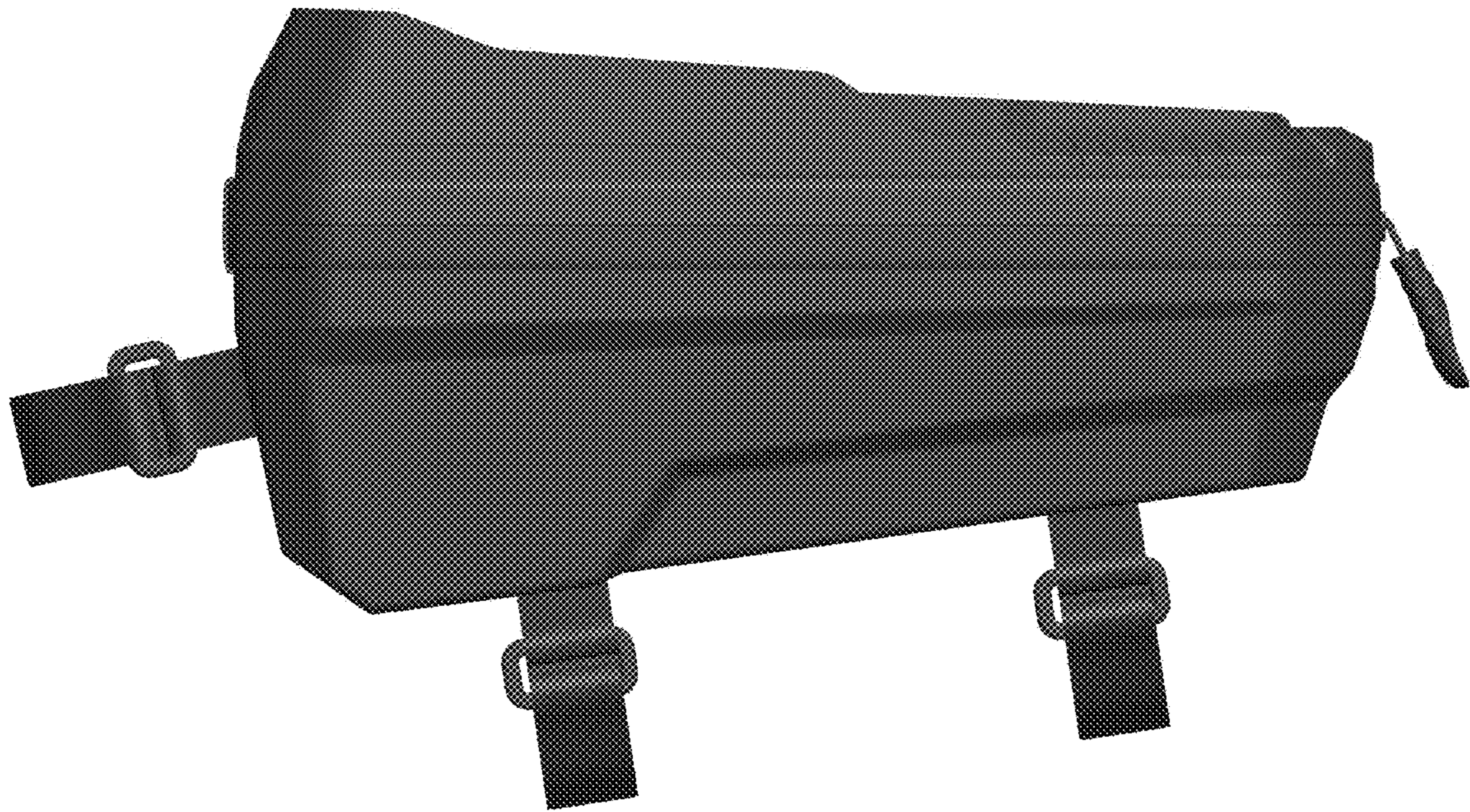




**FIG. 1**



**FIG. 2**



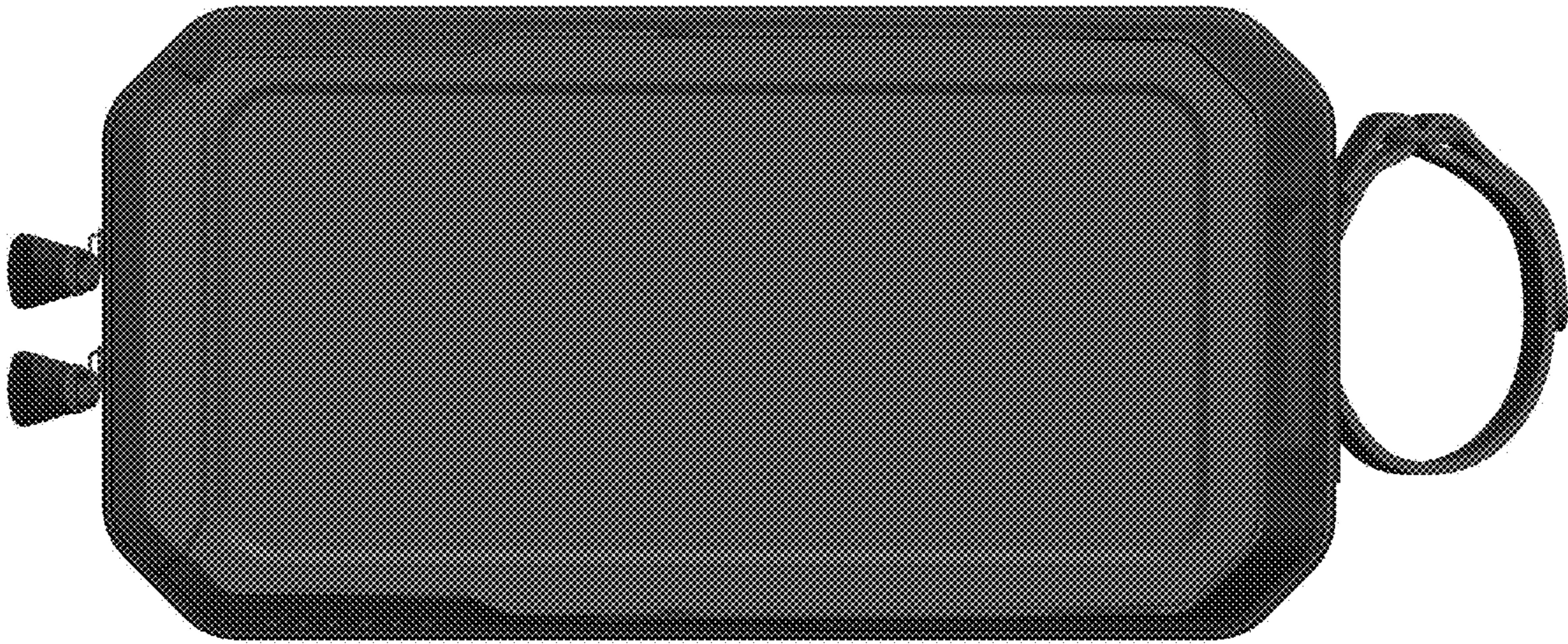
**FIG. 3**



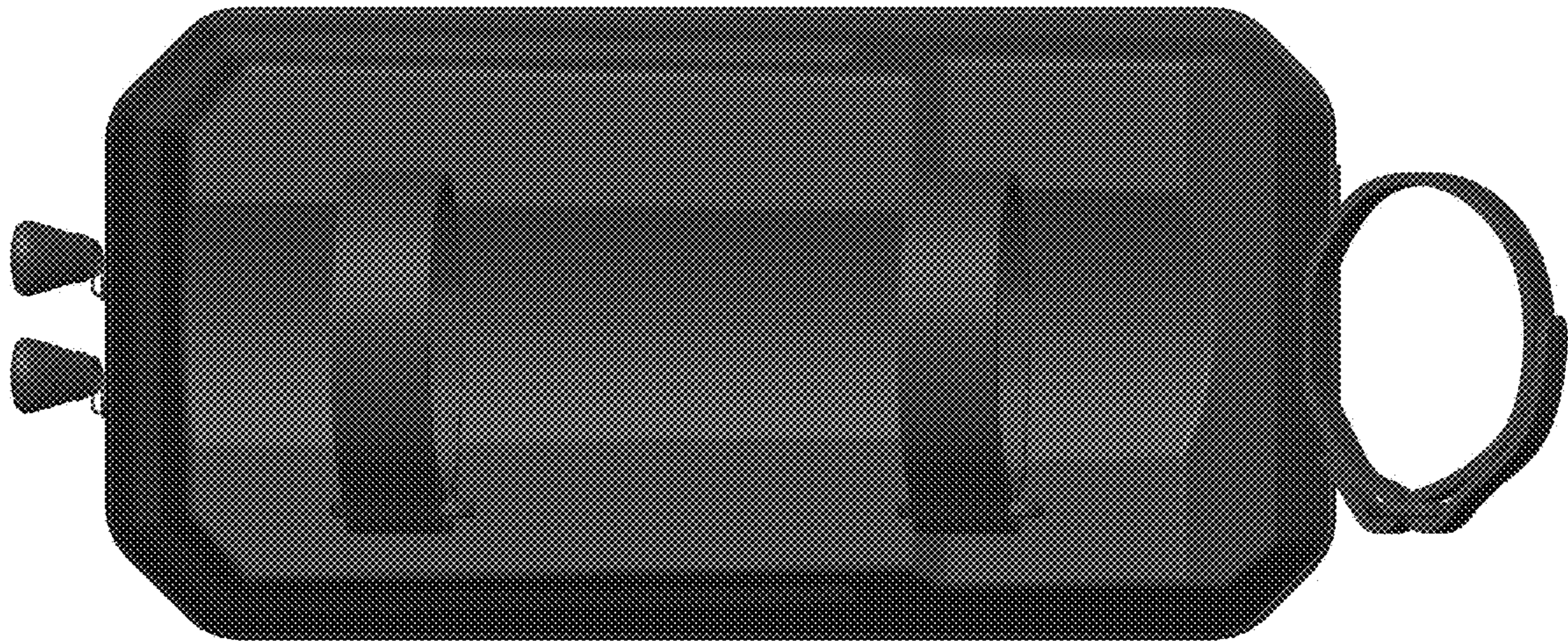
**FIG. 4**



**FIG. 5**



**FIG. 6**



**FIG. 7**





**FIG. 8**