



US00D958043S

(12) **United States Design Patent**
McNaughton

(10) **Patent No.:** **US D958,043 S**

(45) **Date of Patent:** **** Jul. 19, 2022**

- (54) **PORTABLE WAKE AMPLIFIER**
- (71) Applicant: **Patrick J. McNaughton**, Plymouth, MN (US)
- (72) Inventor: **Patrick J. McNaughton**, Plymouth, MN (US)
- (**) Term: **15 Years**
- (21) Appl. No.: **29/703,715**
- (22) Filed: **Aug. 29, 2019**
- (51) **LOC (13) Cl.** **12-06**
- (52) **U.S. Cl.**
USPC **D12/317**
- (58) **Field of Classification Search**
USPC D12/317, 318
CPC B63B 34/70; B63B 34/75; B63B 1/22;
B63B 1/24; B63B 1/32; B63B 1/325
See application file for complete search history.

- 2015/0175242 A1* 6/2015 Sheedy B63B 32/70
114/285
- 2016/0059934 A1* 3/2016 Wilhelm B63B 1/32
114/271
- 2017/0038771 A1* 2/2017 Green G06F 3/165
- 2017/0233038 A1* 8/2017 Clover B63B 32/70
114/286
- 2019/0210693 A1* 7/2019 Spendlove B63B 32/70
- 2020/0385092 A1* 12/2020 Eberhardt B60N 2/5685

* cited by examiner

Primary Examiner — Cynthia M. Chin

(57) **CLAIM**

The ornamental design for a portable wave amplifier, as shown and described.

DESCRIPTION

FIG. 1 is a perspective view from the top and left thereof; FIG. 2 is a back view thereof; FIG. 3 is a front view thereof; FIG. 4 is a left view thereof; FIG. 5 is a right view thereof; FIG. 6 is a top view thereof; FIG. 7 is a bottom view thereof; FIG. 8 is a perspective view from the front and right view thereof; and, FIG. 9 is a side perspective view thereof showing the design as part of its environment and connected to and positioned at the back of the watercraft.

The broken lines are for the purpose of illustrating portions of the portable wake amplifier that form no part of the claimed design. The intermittent broken lines in FIG. 9 represent the environment in which the article resides. None of the broken lines form a part of the claim.

(56) **References Cited**

U.S. PATENT DOCUMENTS

- 9,422,028 B2* 8/2016 Wilhelm B63B 1/18
- 10,183,726 B1* 1/2019 McNaughton B63B 34/75
- 10,358,189 B2* 7/2019 Sheedy B63B 1/286
- D860,108 S * 9/2019 McNaughton B63B 34/75
D12/317
- D864,838 S * 10/2019 Clover B63B 34/75
D12/317
- D893,395 S * 8/2020 Spendlove B63B 1/286
D12/317
- 11,046,393 B2* 6/2021 Sheedy B63B 1/20
- 2013/0228114 A1* 9/2013 Gasper B63B 1/32
114/284

1 Claim, 9 Drawing Sheets

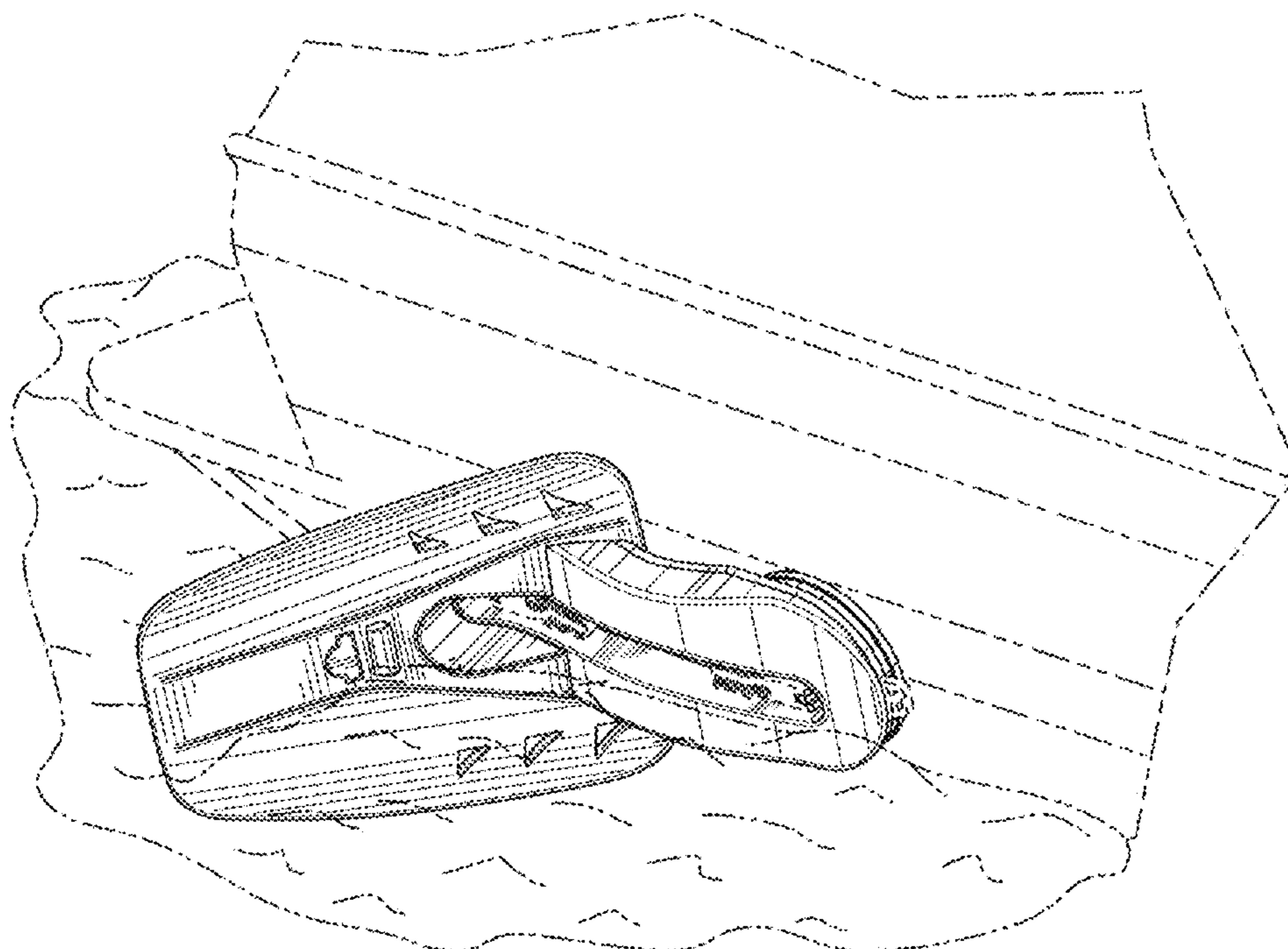


FIG. 1

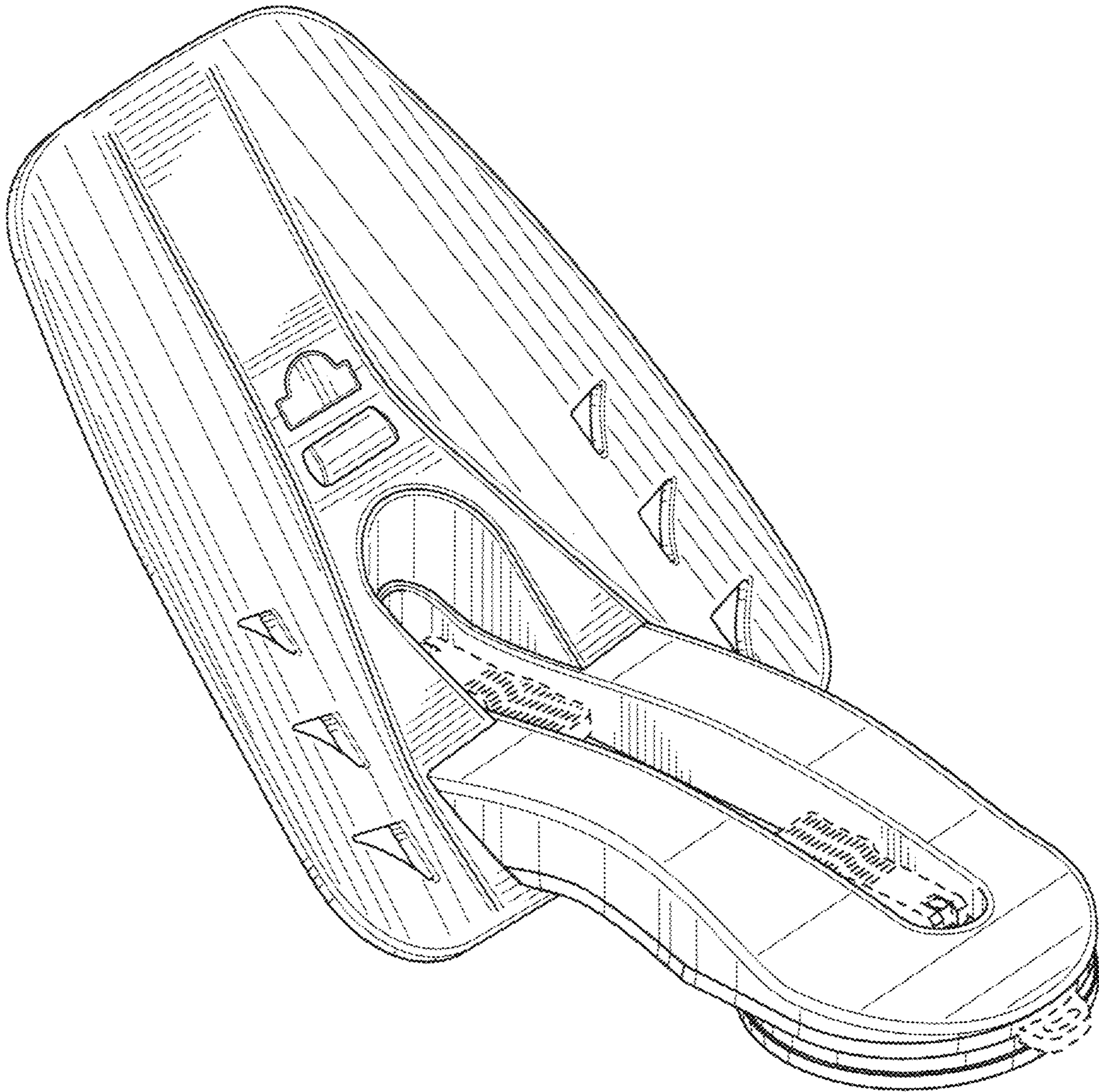


FIG. 2

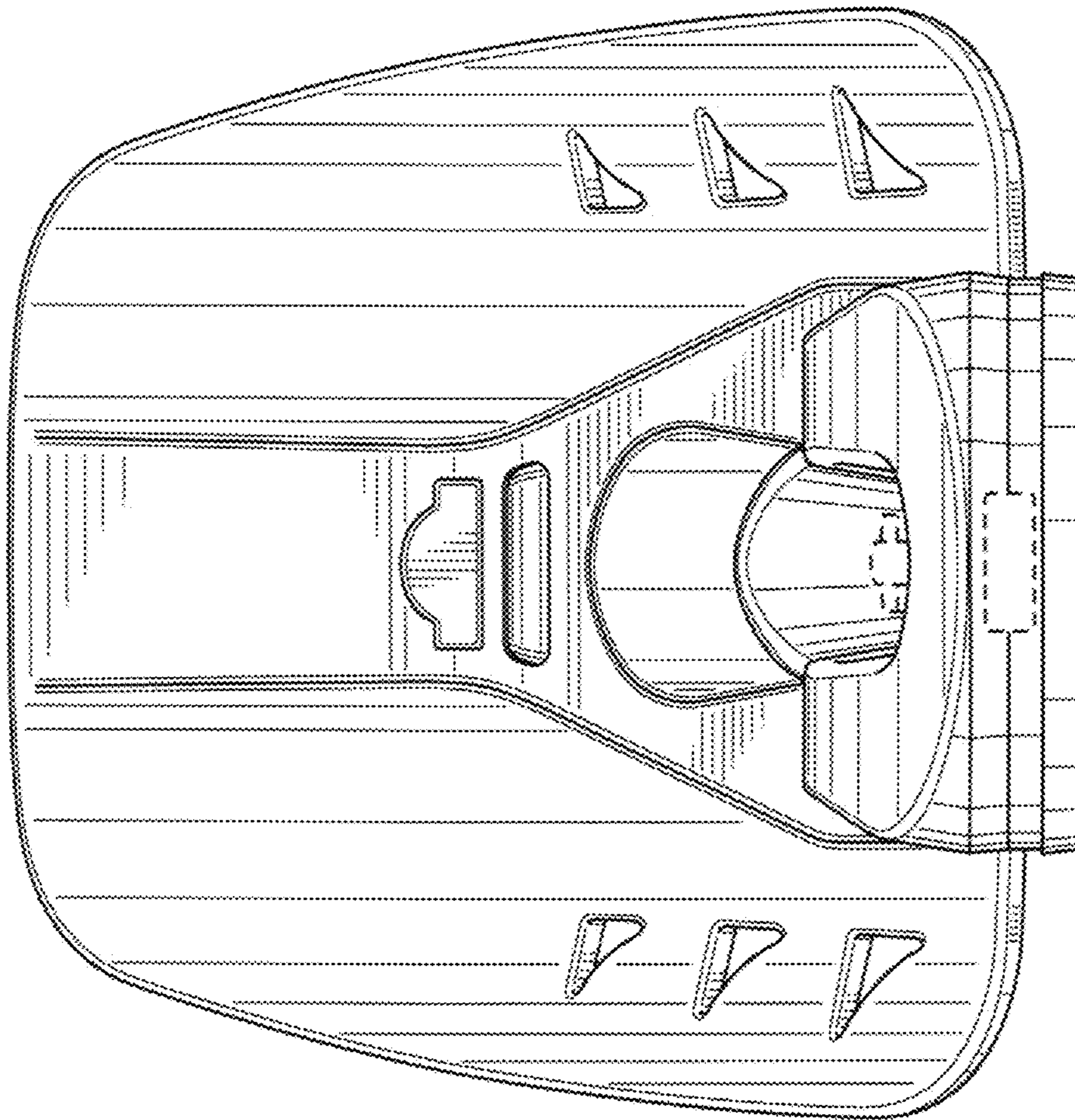
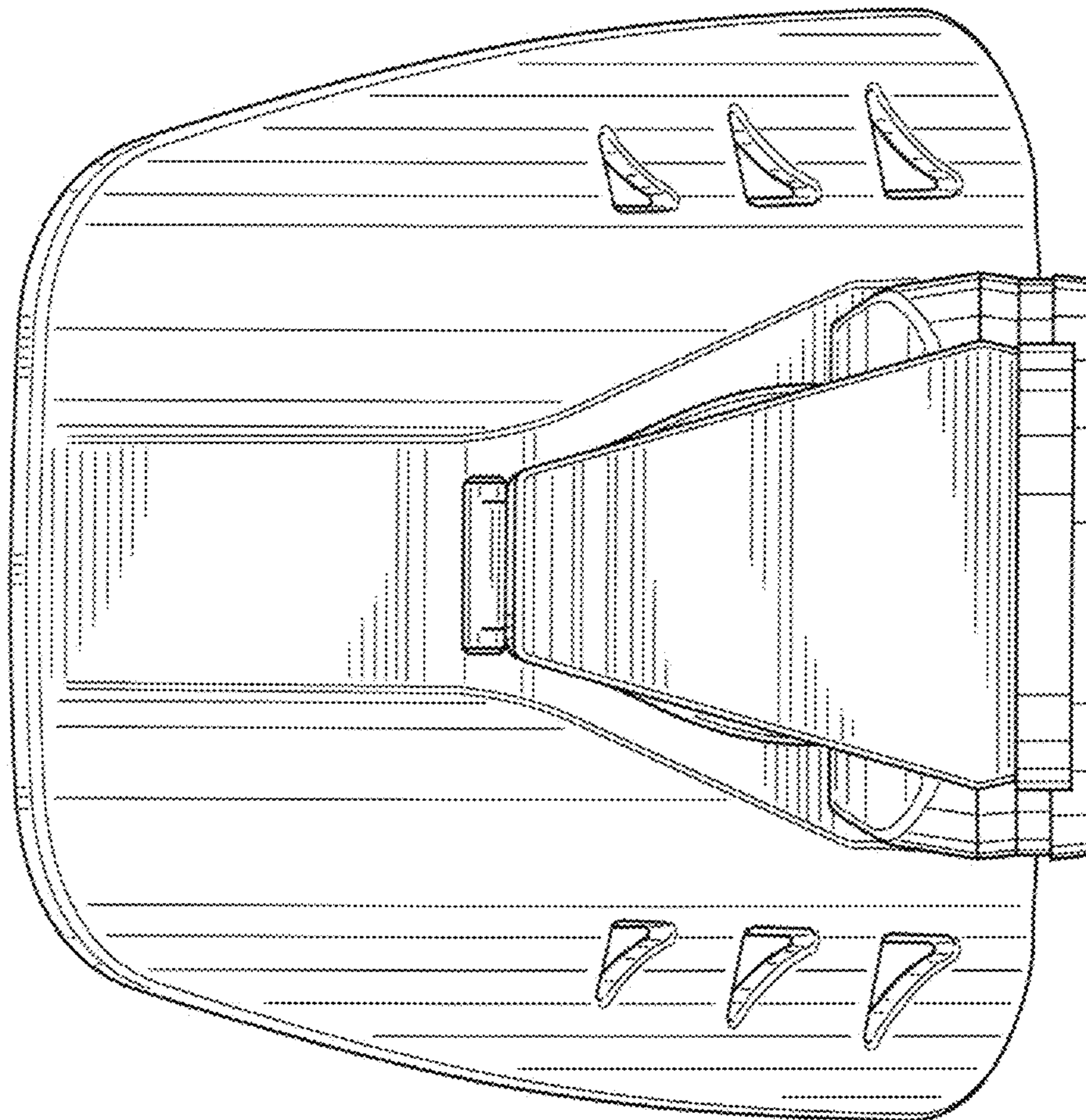


FIG. 3



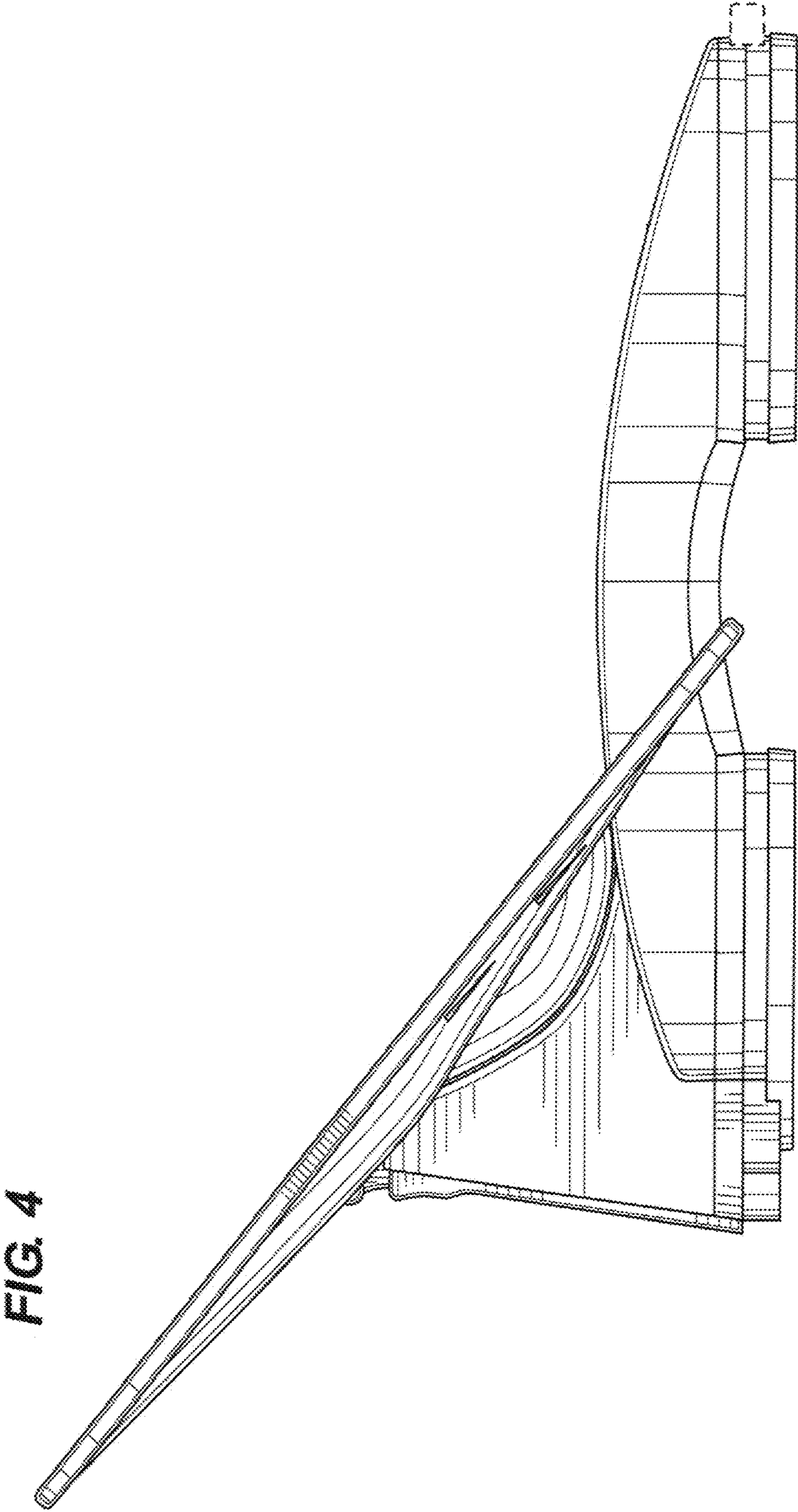


FIG. 4

FIG. 5

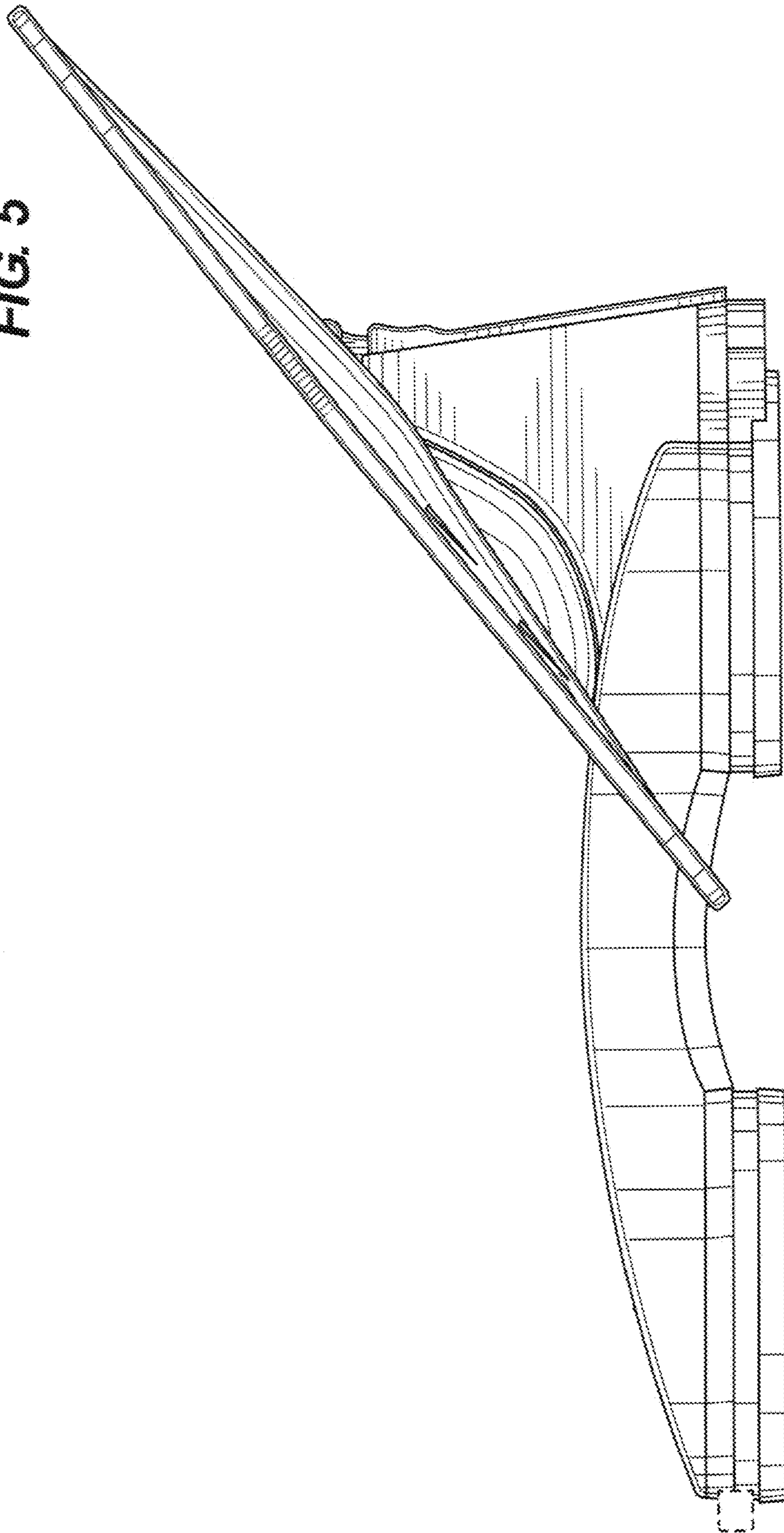


FIG. 6

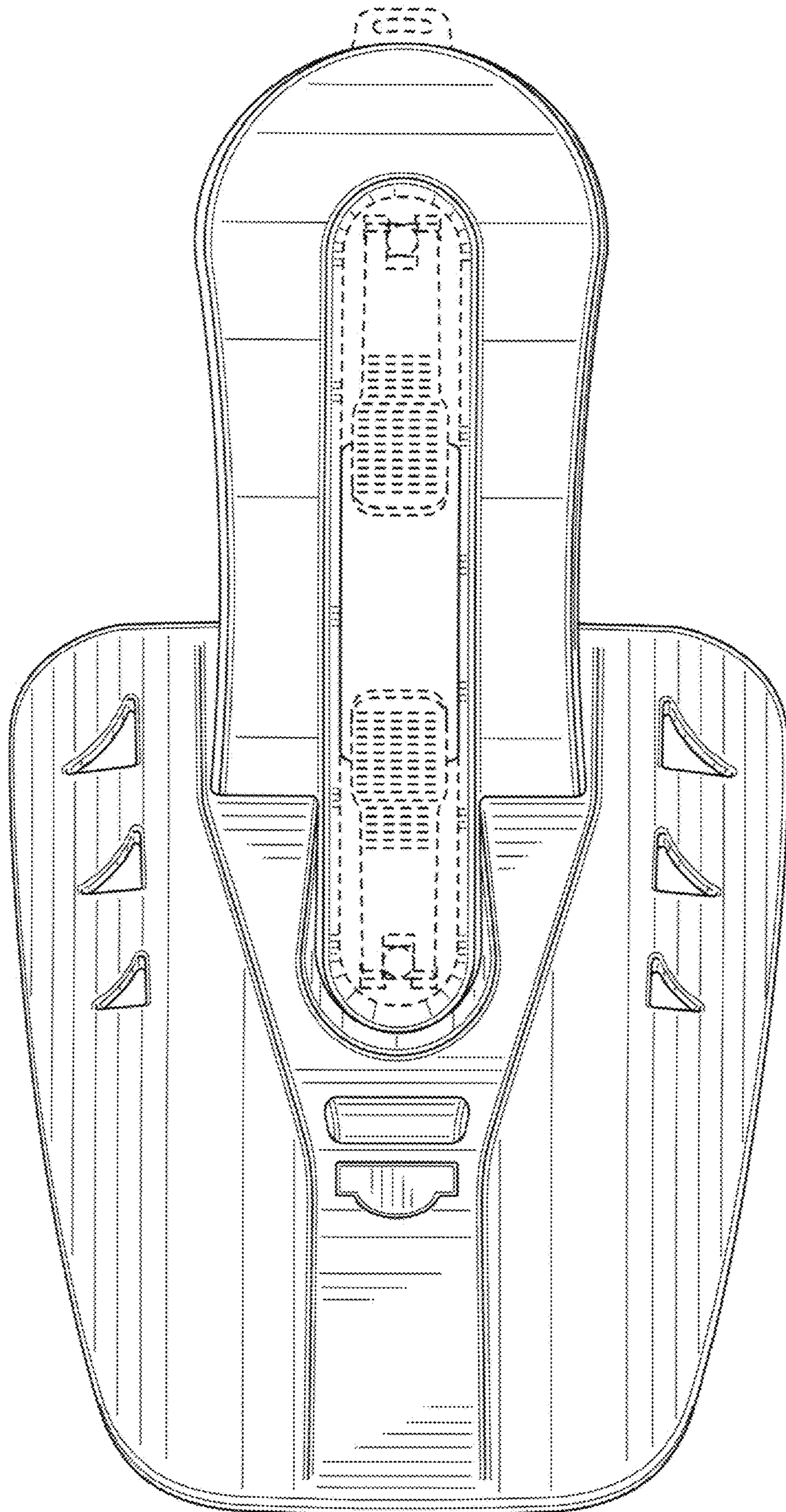
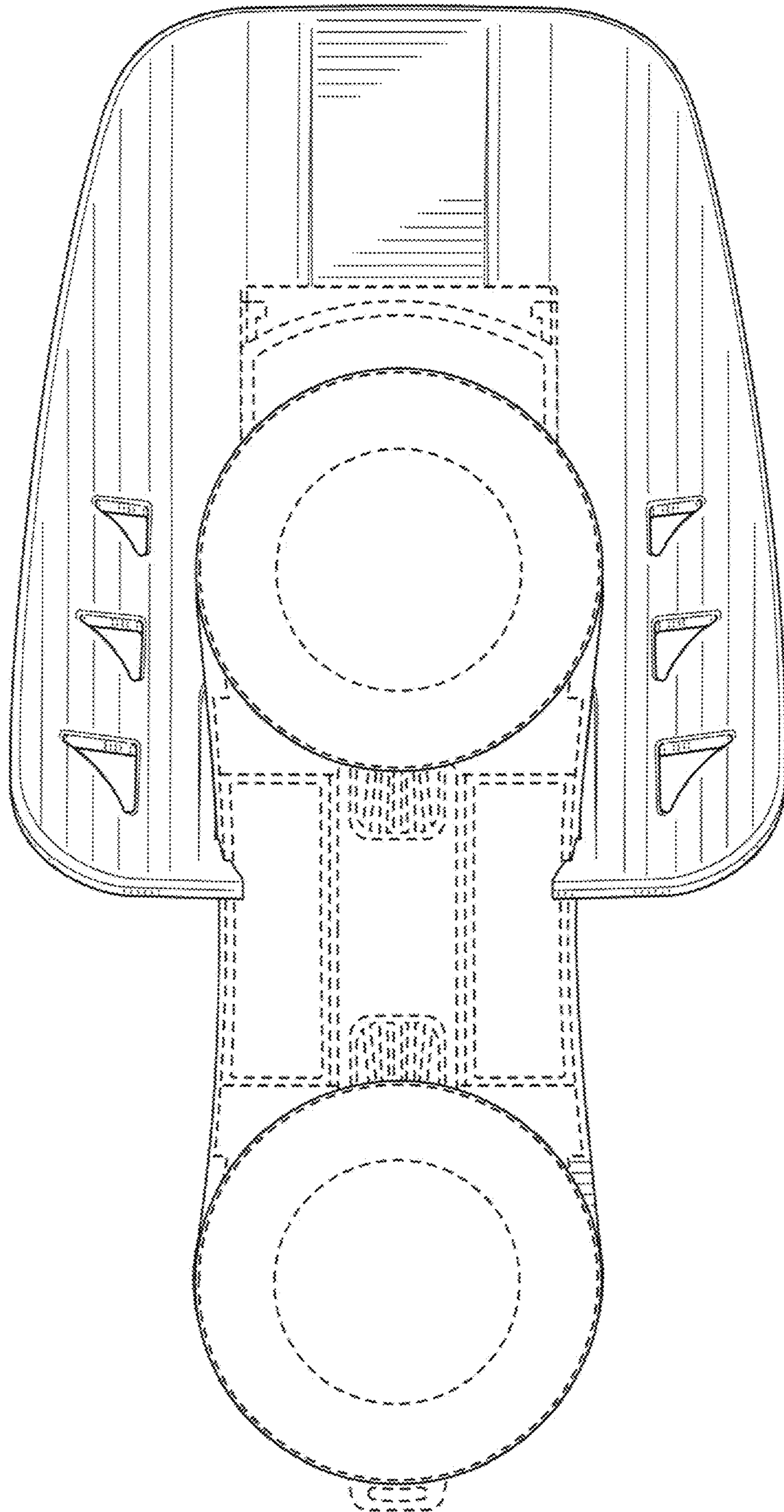


FIG. 7



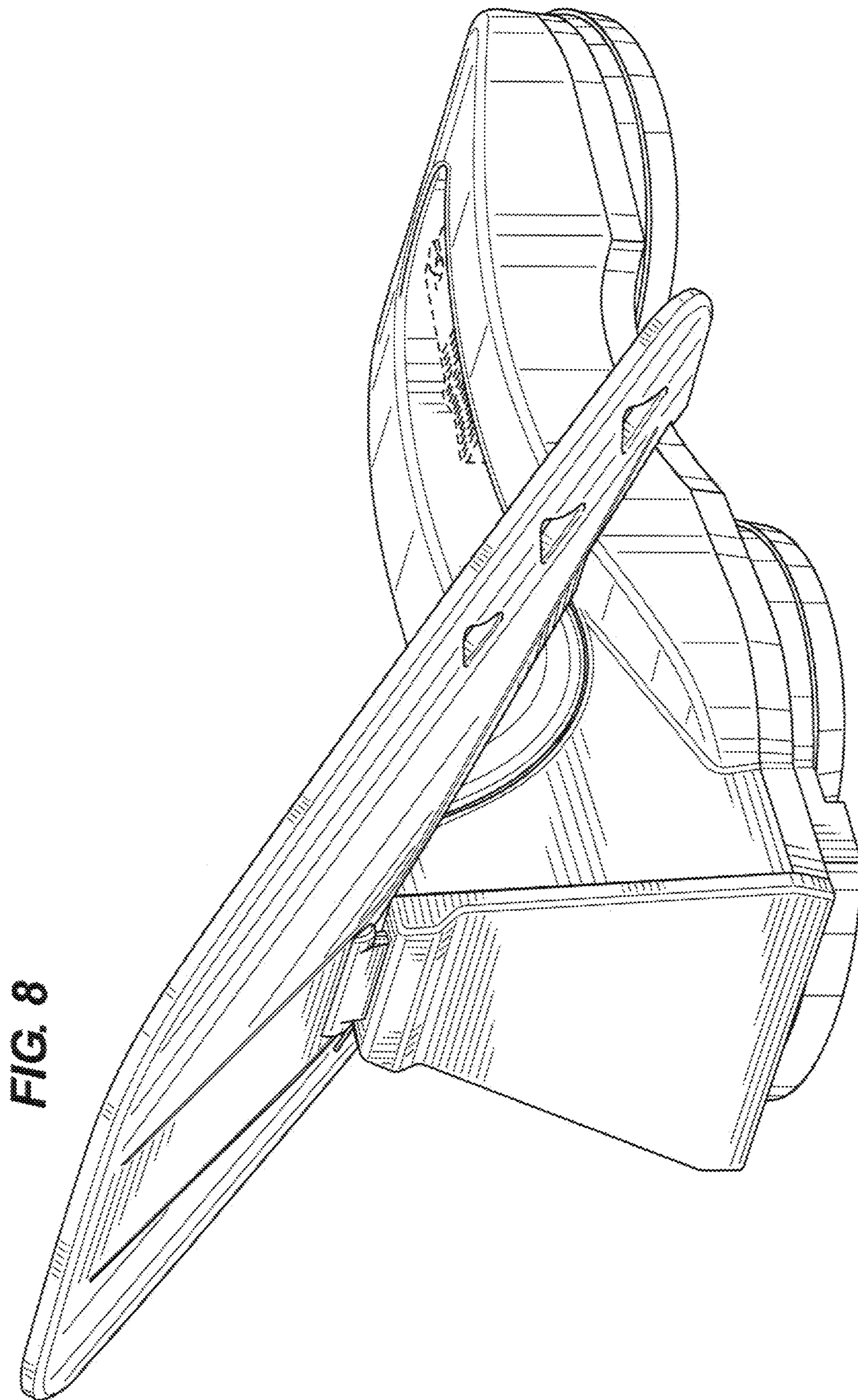


FIG. 9

