



US00D958037S

(12) **United States Design Patent** (10) **Patent No.:** **US D958,037 S**
Grand (45) **Date of Patent:** **** Jul. 19, 2022**

(54) **VEHICLE TAILGATE**
(71) Applicant: **Jaguar Land Rover Limited**, Whitley (GB)
(72) Inventor: **Simon Grand**, Whitley (GB)
(73) Assignee: **JAGUAR LAND ROVER LIMITED**, Coventry (GB)

D649,910 S * 12/2011 Mullen D12/86
D706,191 S * 6/2014 Choi D12/196
D731,383 S * 6/2015 Ahn D12/196
D734,211 S * 7/2015 Ahn D12/86
D808,321 S * 1/2018 Kim D12/196
D813,096 S * 3/2018 Ren D12/91
D817,835 S * 5/2018 Ahn D12/196
D819,495 S * 6/2018 Bucher D12/91
D820,161 S * 6/2018 Dunford D12/91
D821,949 S * 7/2018 Bucher D12/196
D892,682 S * 8/2020 Simm D12/91

(**) Term: **15 Years**
(21) Appl. No.: **29/656,441**
(22) Filed: **Jul. 12, 2018**

* cited by examiner

Primary Examiner — Manpreet S Matharu
Assistant Examiner — Yolanda Robinson
(74) *Attorney, Agent, or Firm* — Reising Ethington P.C.

(30) **Foreign Application Priority Data**
Jan. 12, 2018 (EM) 004663839
Jan. 25, 2018 (EM) 004680825
Apr. 25, 2018 (EM) 005248580
Jul. 5, 2018 (EM) 005438009

(57) **CLAIM**
The ornamental design for a vehicle tailgate, as shown and described.

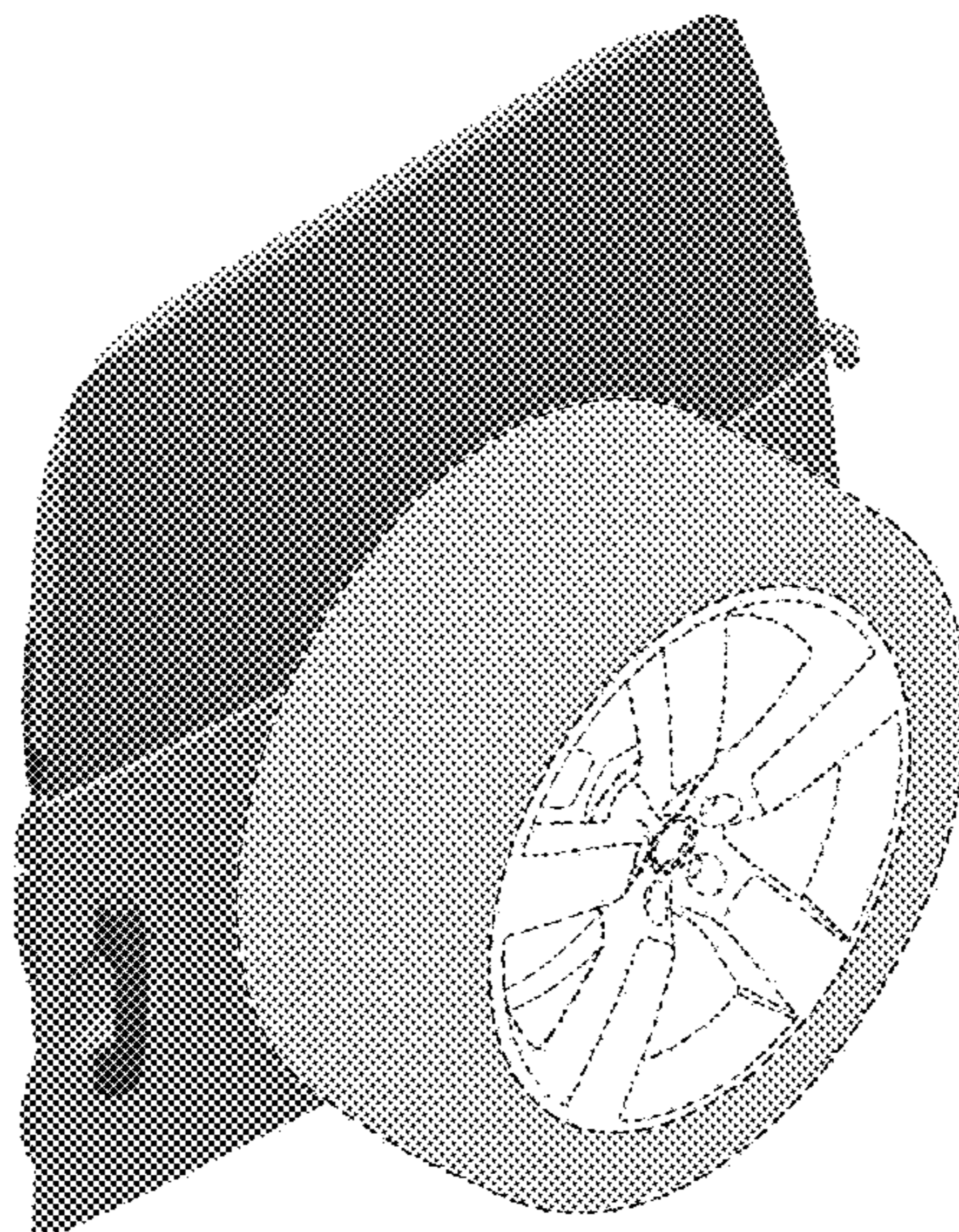
(51) **LOC (13) Cl.** **12-16**
(52) **U.S. Cl.**
USPC **D12/196**
(58) **Field of Classification Search**
USPC D12/86, 91, 92, 163, 169, 171, 183, 196,
D12/216, 400, 88, 90, 222
CPC .. B62D 33/0273; B62D 33/03; B62D 33/037;
B62D 25/02; B62D 25/04; B60J 5/00;
B60J 5/02; B60J 5/04; B60J 5/10
See application file for complete search history.

DESCRIPTION

FIG. 1 is a front left top perspective view of a vehicle tailgate according to the present invention.
FIG. 2 is a front left perspective view of the tailgate shown in FIG. 1.
FIG. 3 is a rear right top perspective view thereof.
FIG. 4 is a rear right perspective view thereof.
FIG. 5 is a front view thereof.
FIG. 6 is a rear view thereof.
FIG. 7 is a left side view thereof.
FIG. 8 is a right side view thereof.
FIG. 9 is a top view thereof.
FIG. 10 is a bottom view thereof; and,
FIG. 11 is a front view of the vehicle tailgate shown mounted to a vehicle shown as de-emphasized environment thereof. Portions of the vehicle tailgate placed in broken line form no part of the claimed design. Areas de-emphasized and half-tone outside the broken line in FIG. 11 disclose environment only and form no part of the claimed design.

(56) **References Cited**
U.S. PATENT DOCUMENTS
D220,039 S * 3/1971 Barris D12/87
D383,710 S * 9/1997 Guichard D12/91
D391,900 S * 3/1998 Skoog D12/86
D529,424 S * 10/2006 Norman D12/195
D568,792 S * 5/2008 Moushegian D12/91
D603,306 S * 11/2009 Jung D12/164

1 Claim, 11 Drawing Sheets



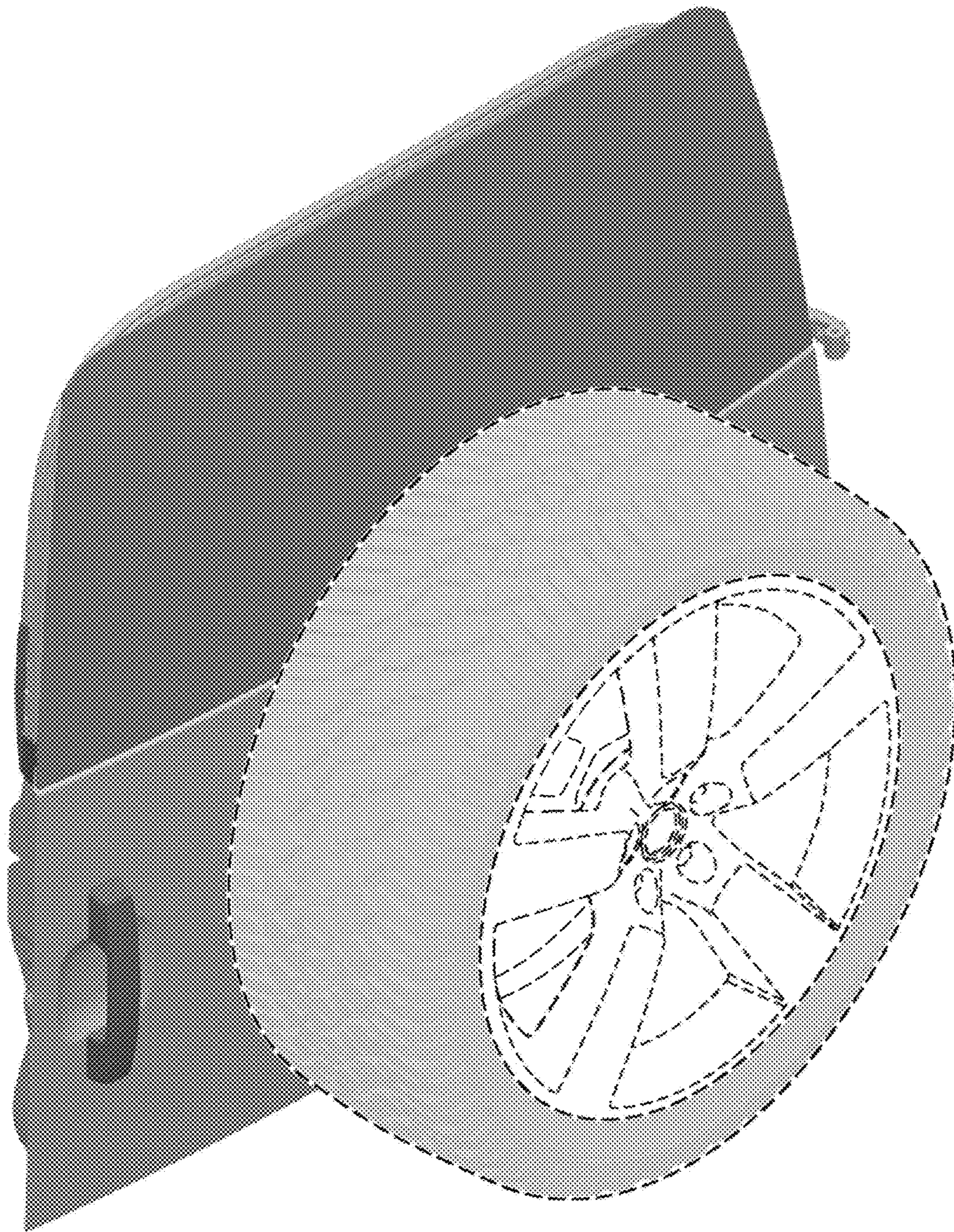


FIG. 1

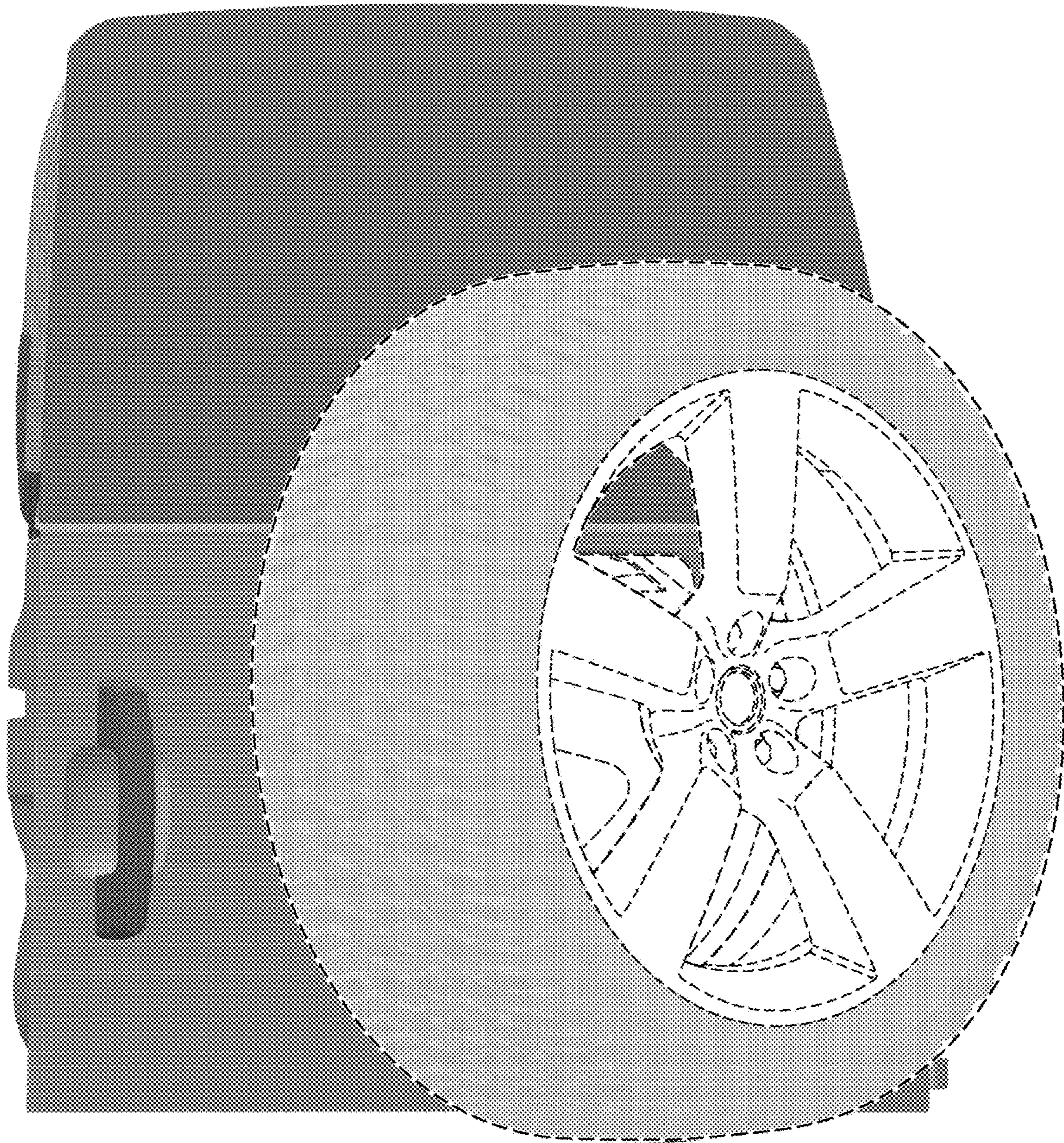


FIG. 2



FIG. 3

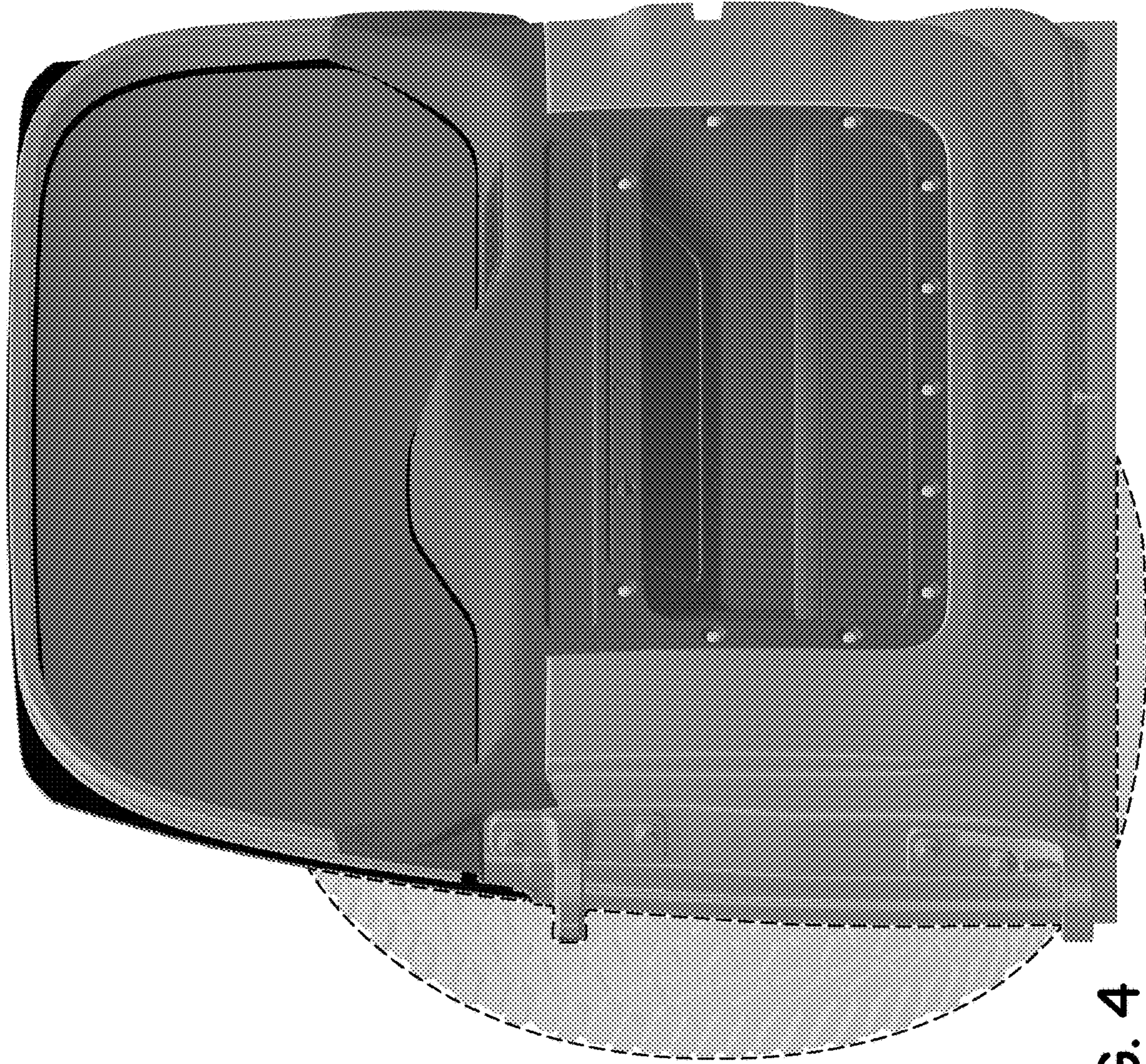


FIG. 4

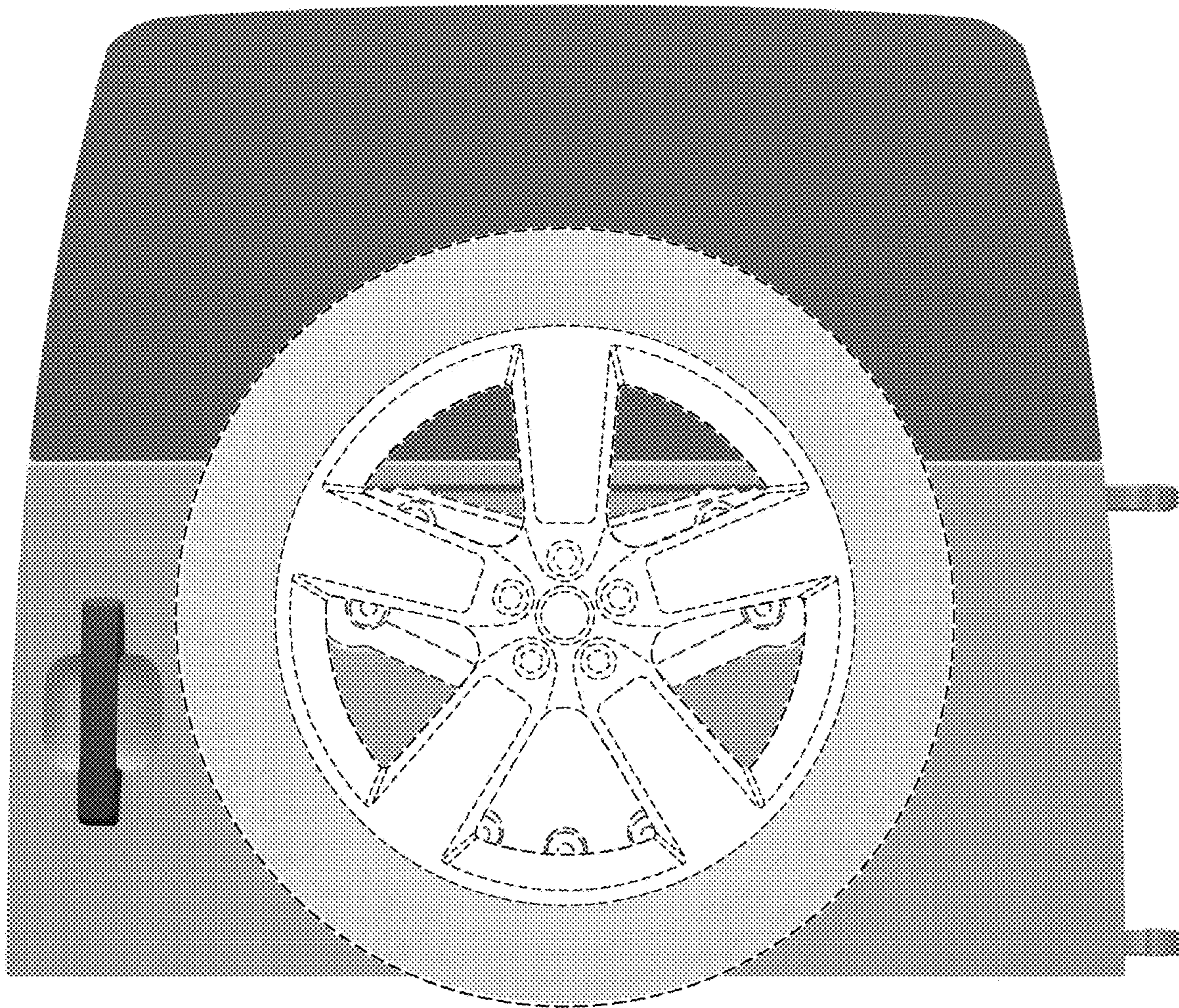


FIG. 5

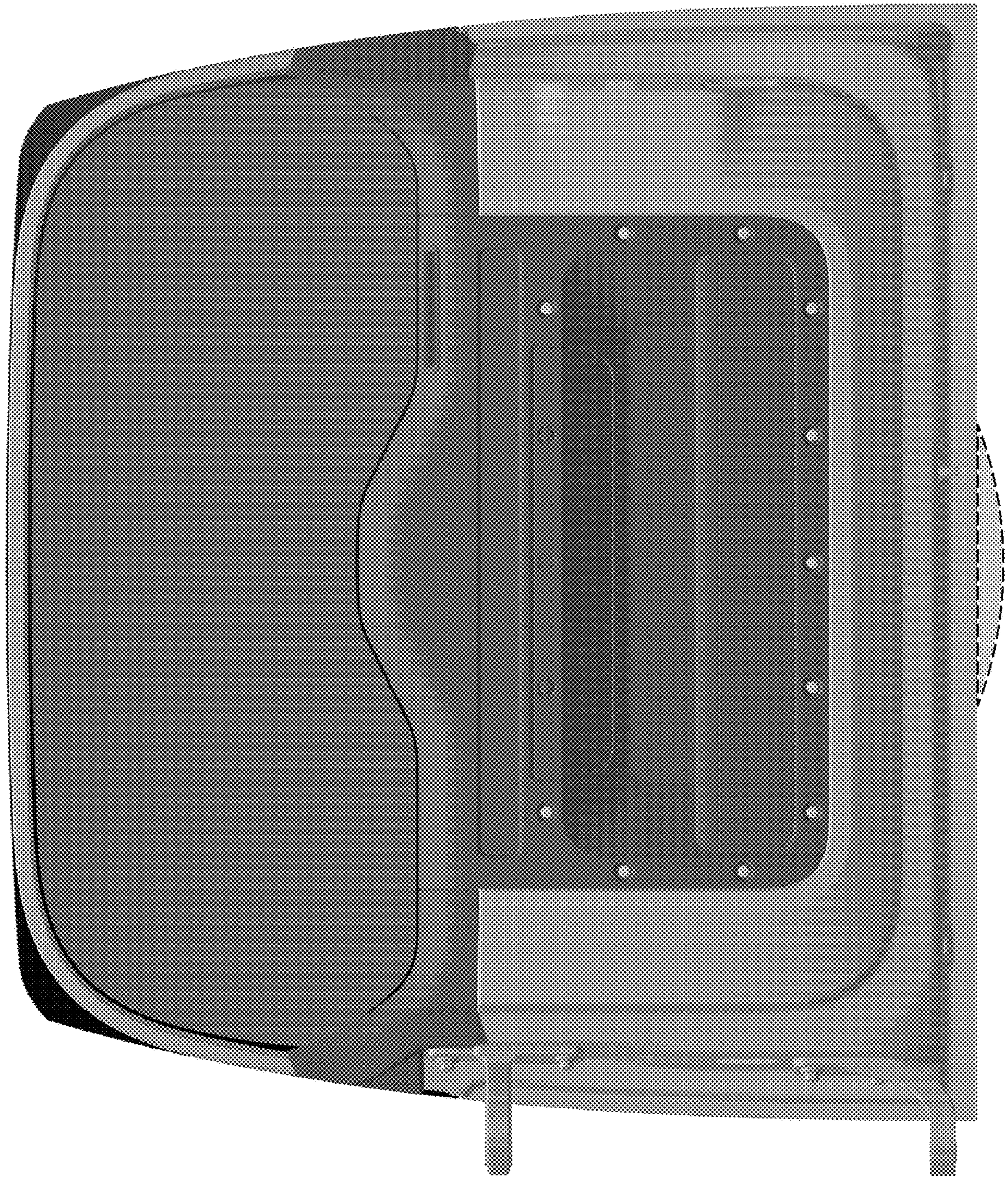


FIG. 6

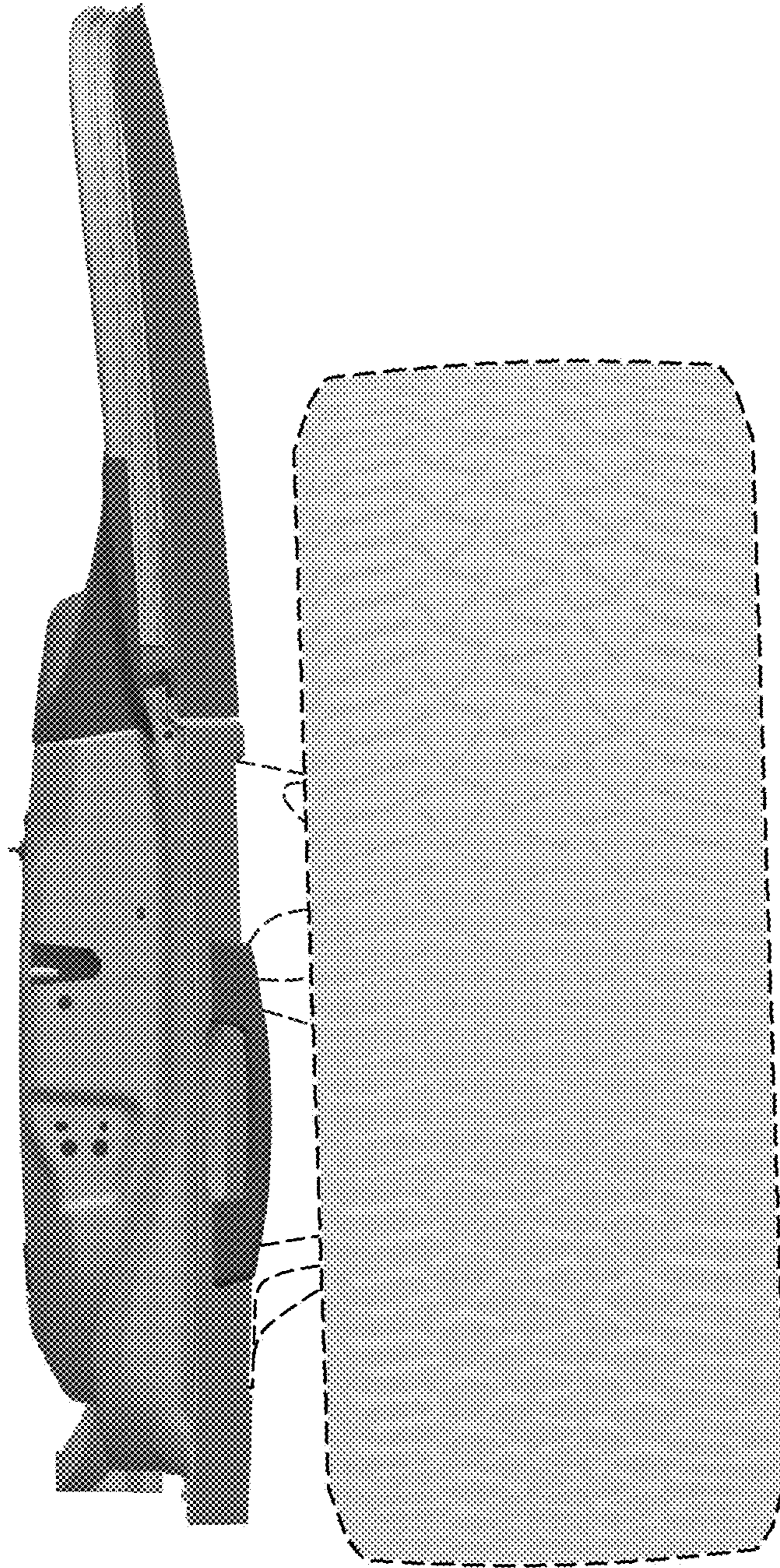


FIG. 7

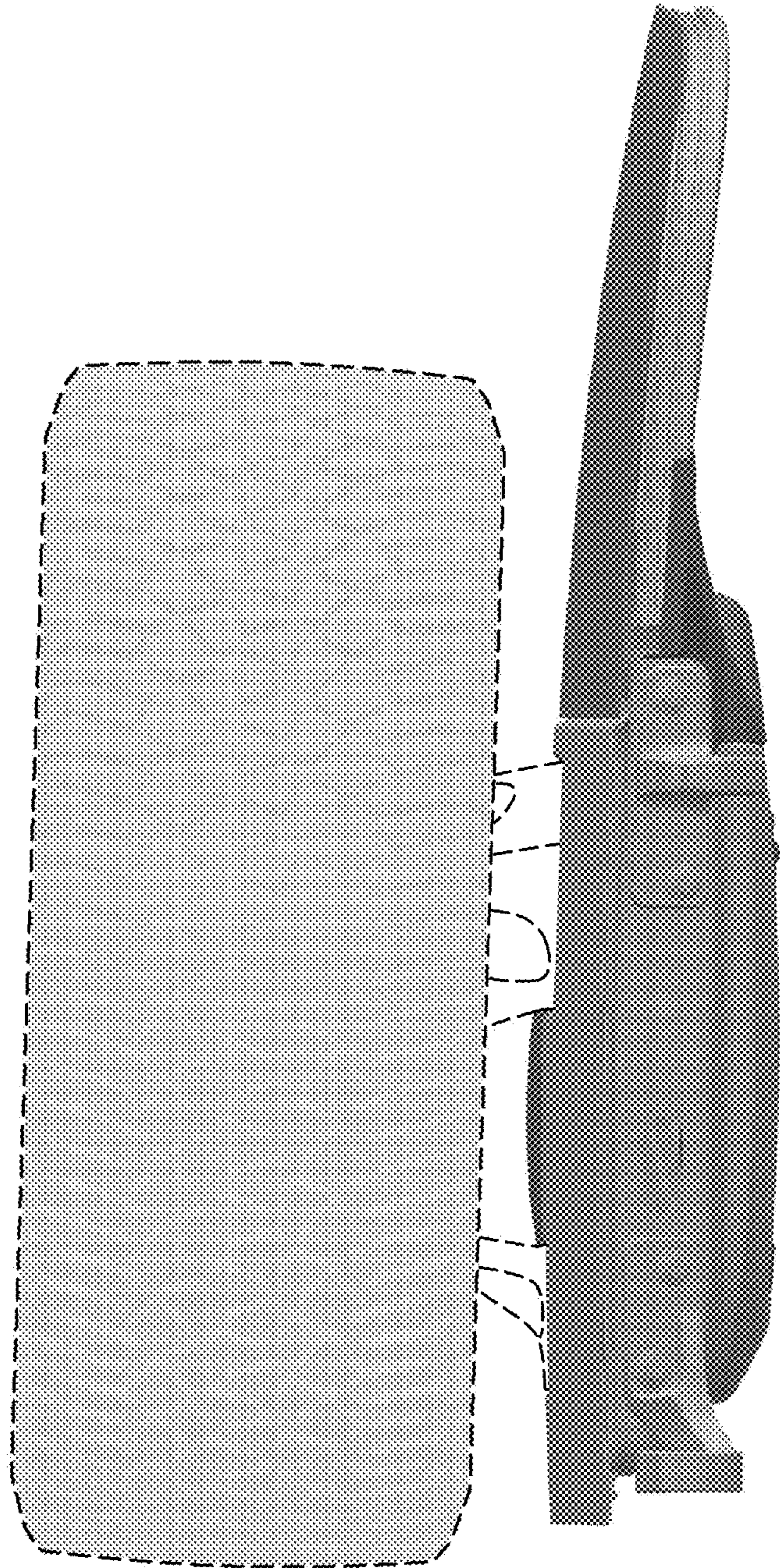


FIG. 8

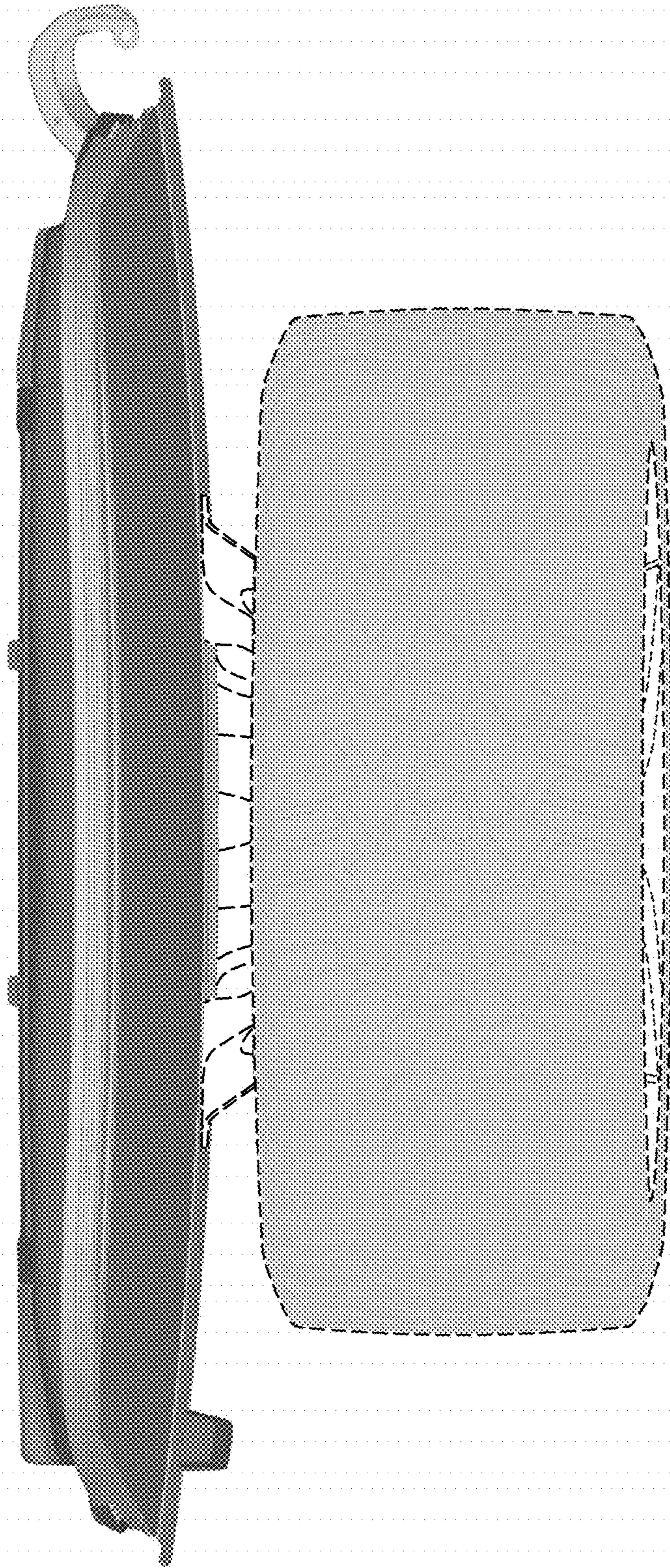


FIG. 9

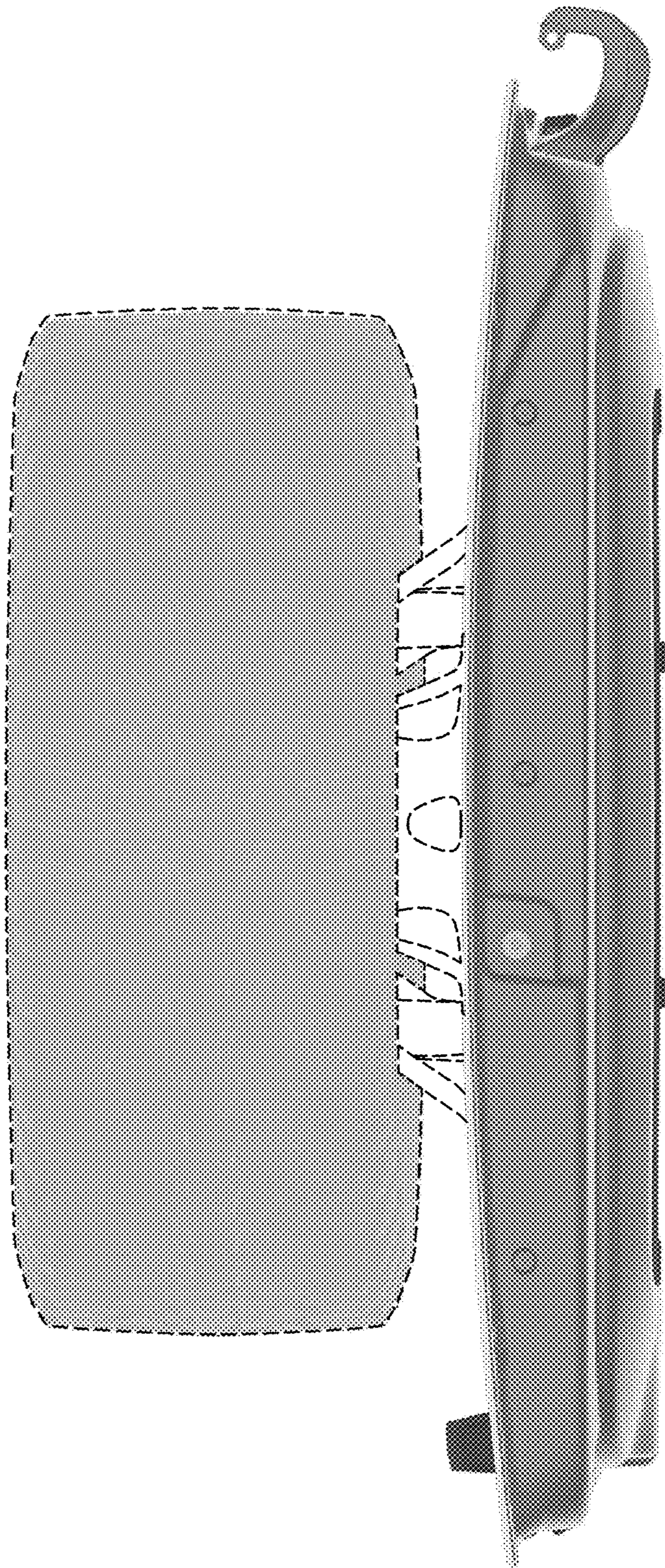


FIG. 10

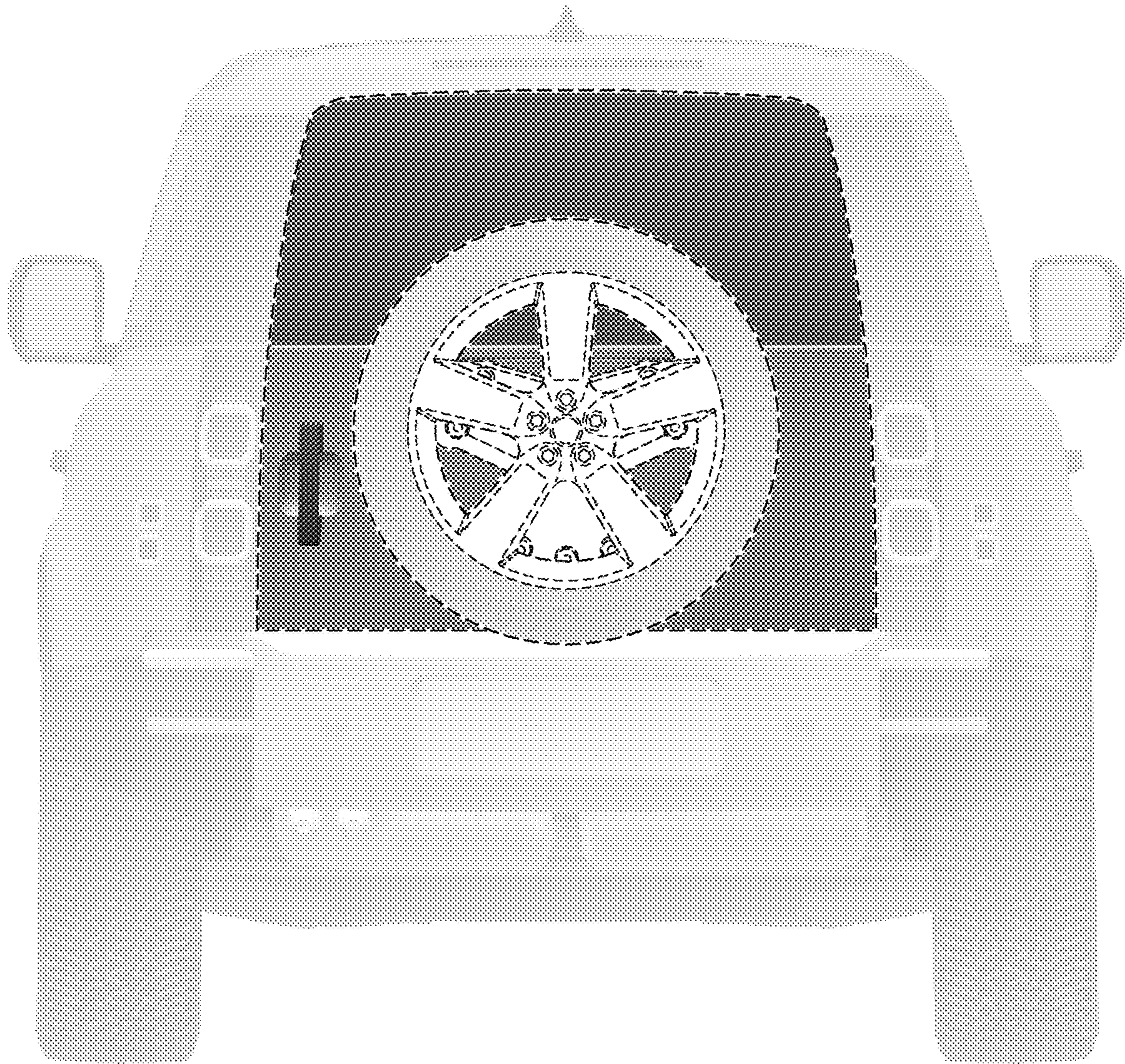


FIG. 11